

US00D390577S

**United States Patent** [19]  
**Imahashi**

[11] **Patent Number: Des. 390,577**  
[45] **Date of Patent: \*\*Feb. 10, 1998**

[54] **SURFACE FINISHING MACHINE**  
[75] **Inventor: Takahiro Imahashi, Tokyo, Japan**  
[73] **Assignee: Imahashi Mfg. Co., Ltd., Tokyo, Japan**  
[\*\*] **Term: 14 Years**  
[21] **Appl. No.: 61,751**  
[22] **Filed: Oct. 30, 1996**  
[51] **LOC (6) Cl. .... 15-09**  
[52] **U.S. Cl. .... D15/124**  
[58] **Field of Search .... D15/124; 451/32,**  
**451/36, 104, 107, 113, 326, 327**

[57] **CLAIM**  
The ornamental design for a surface finishing machine, as shown and described.

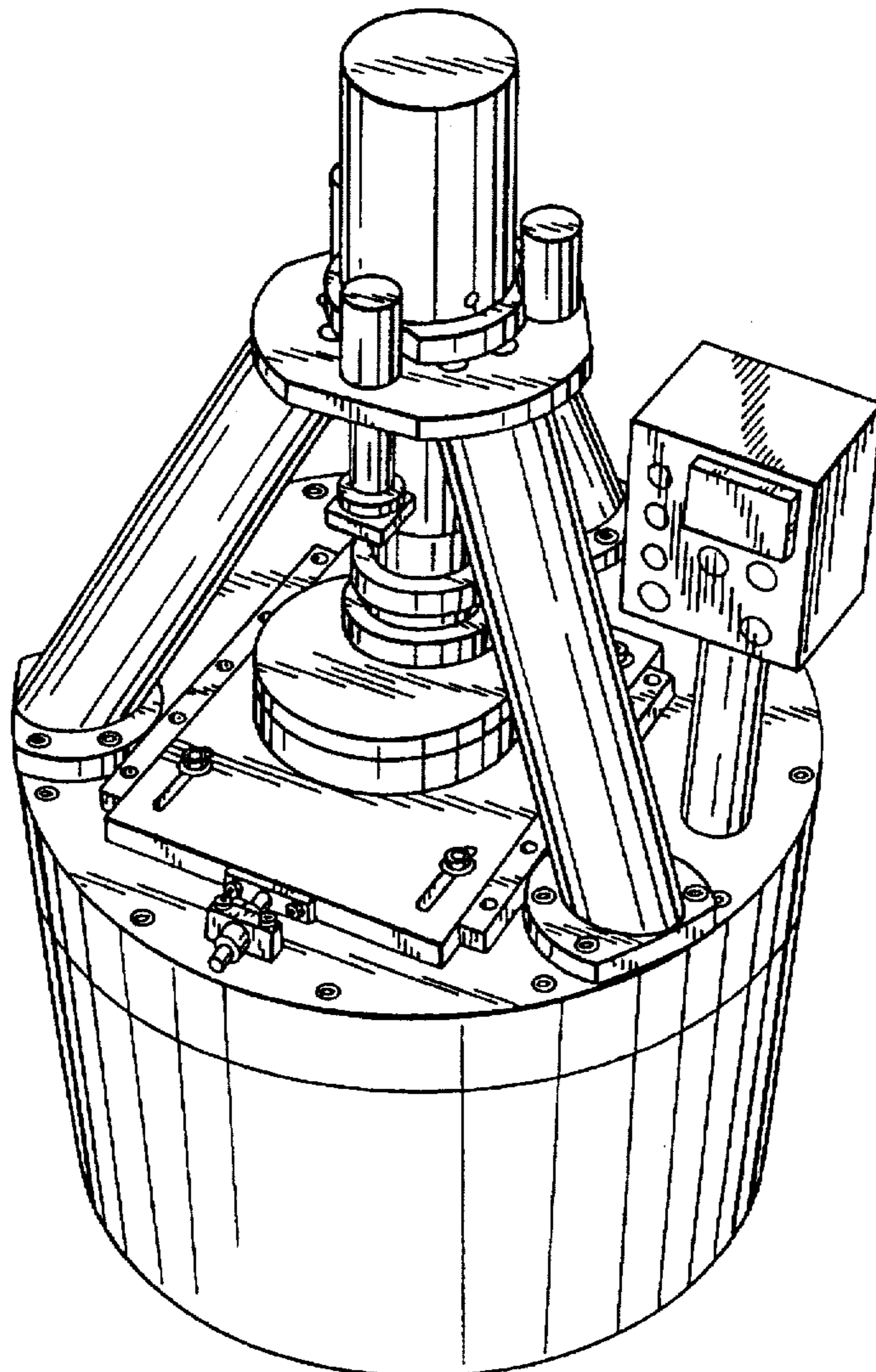
**DESCRIPTION**

FIG. 1 is a perspective view of a surface finishing machine according to the present invention;  
FIG. 2 is a front view of the surface finishing machine of FIG. 1;  
FIG. 3 is a rear view of the surface finishing machine of FIG. 1;  
FIG. 4 is a bottom view of the surface finishing machine according to the present invention;  
FIG. 5 is a right side view of the surface finishing machine according to the present invention;  
FIG. 6 is a left side view of the surface finishing machine according to the present invention; and,  
FIG. 7 is a plan view of the surface finishing machine according to the present invention.

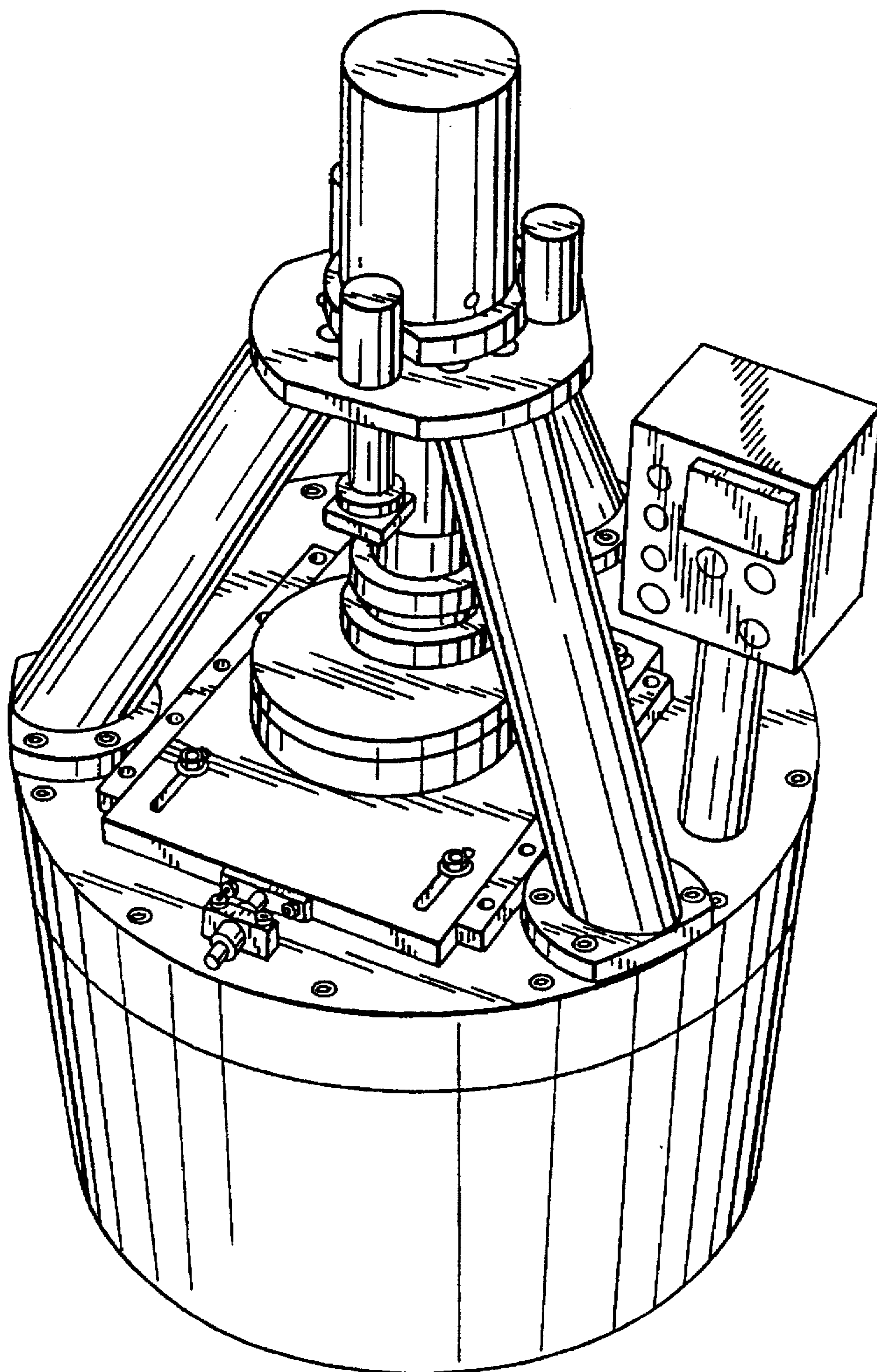
[56] **References Cited**  
**U.S. PATENT DOCUMENTS**  
D. 138,969 10/1944 Bowen ..... D15/124  
4,173,851 11/1979 Higashi ..... 451/36

*Primary Examiner*—Antoine Duval Davis  
*Attorney, Agent, or Firm*—Wenderoth, Lind & Ponack

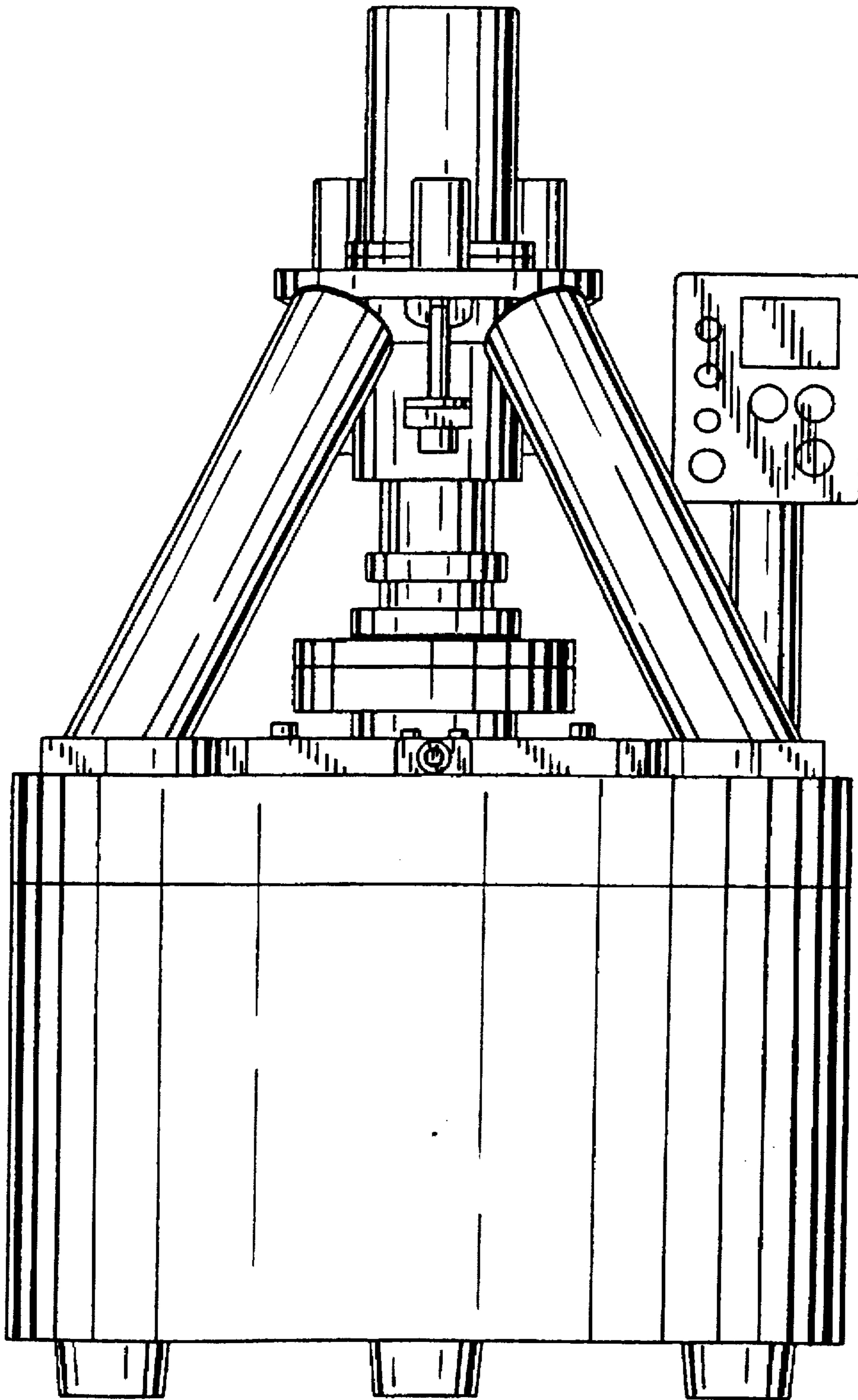
**1 Claim, 7 Drawing Sheets**



*FIG. 1*

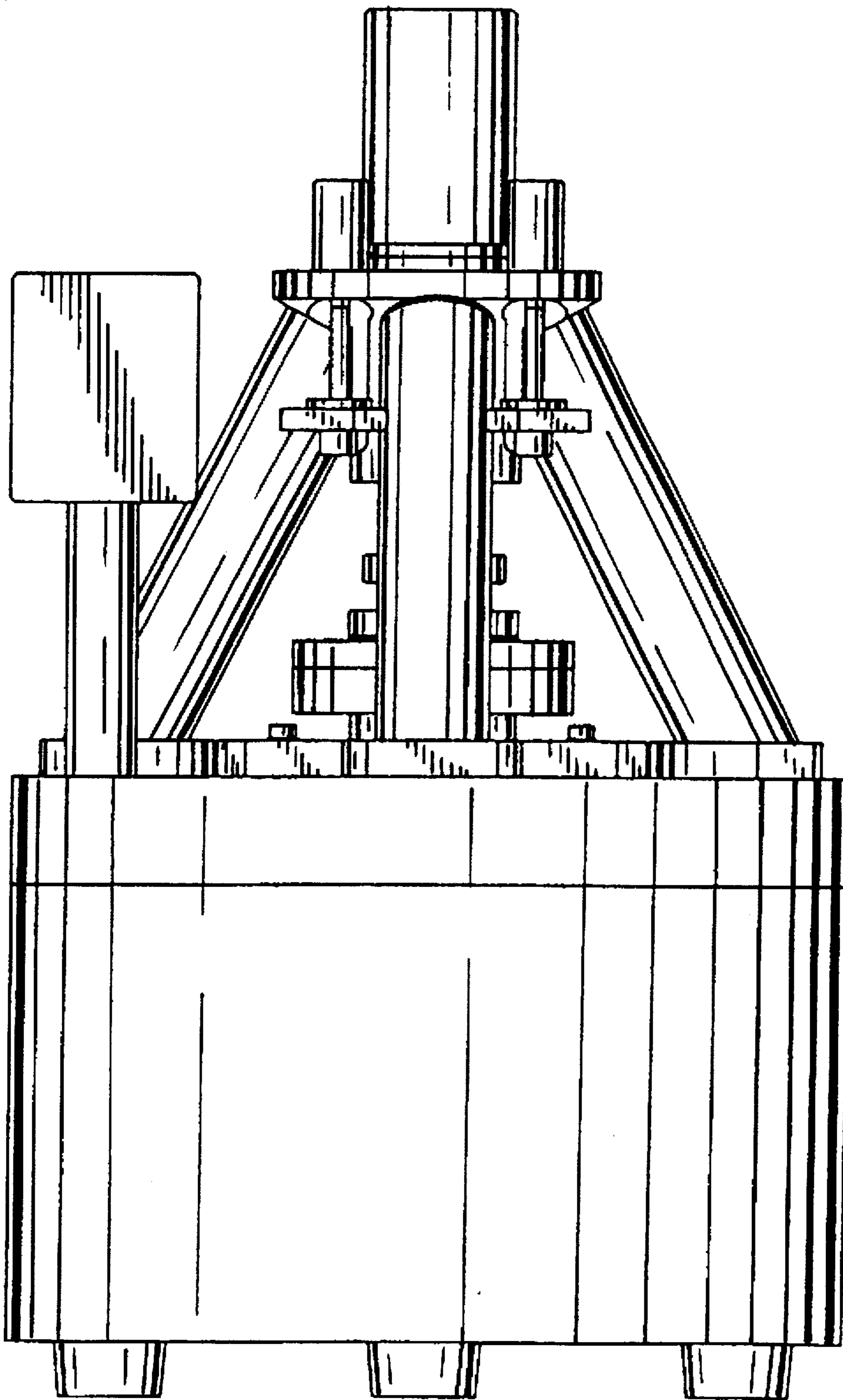


**FIG. 2**

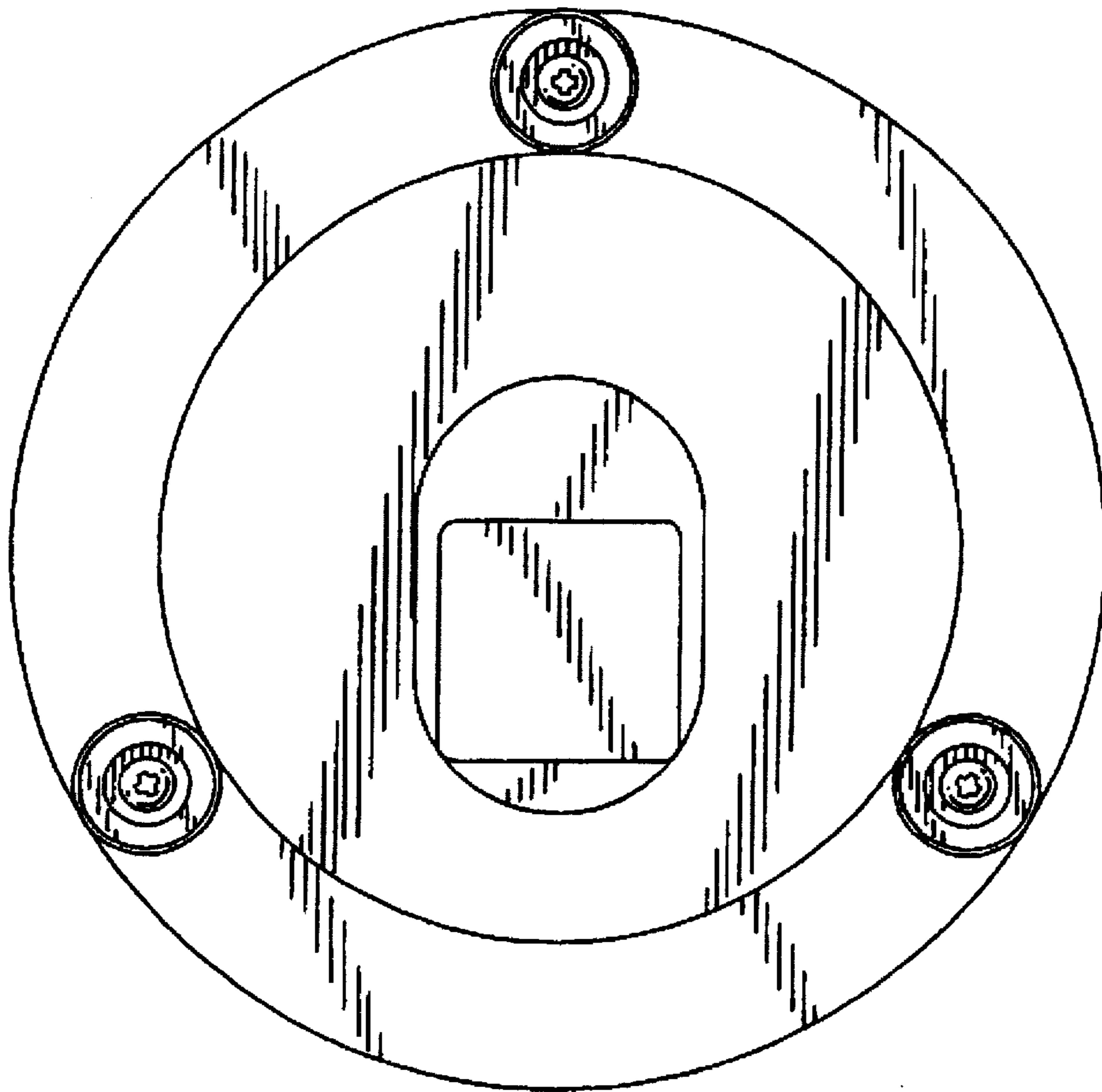




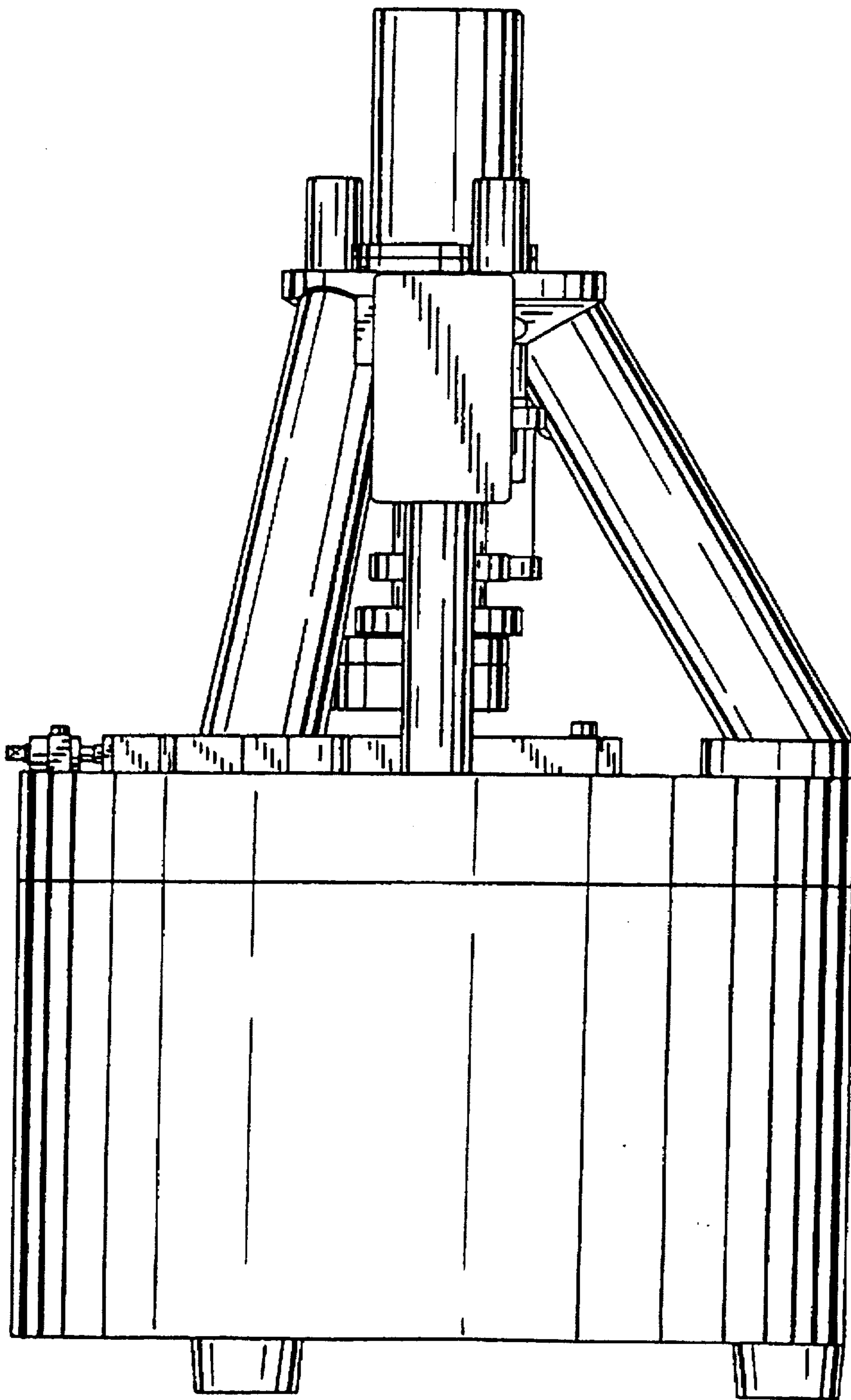
**FIG. 3**



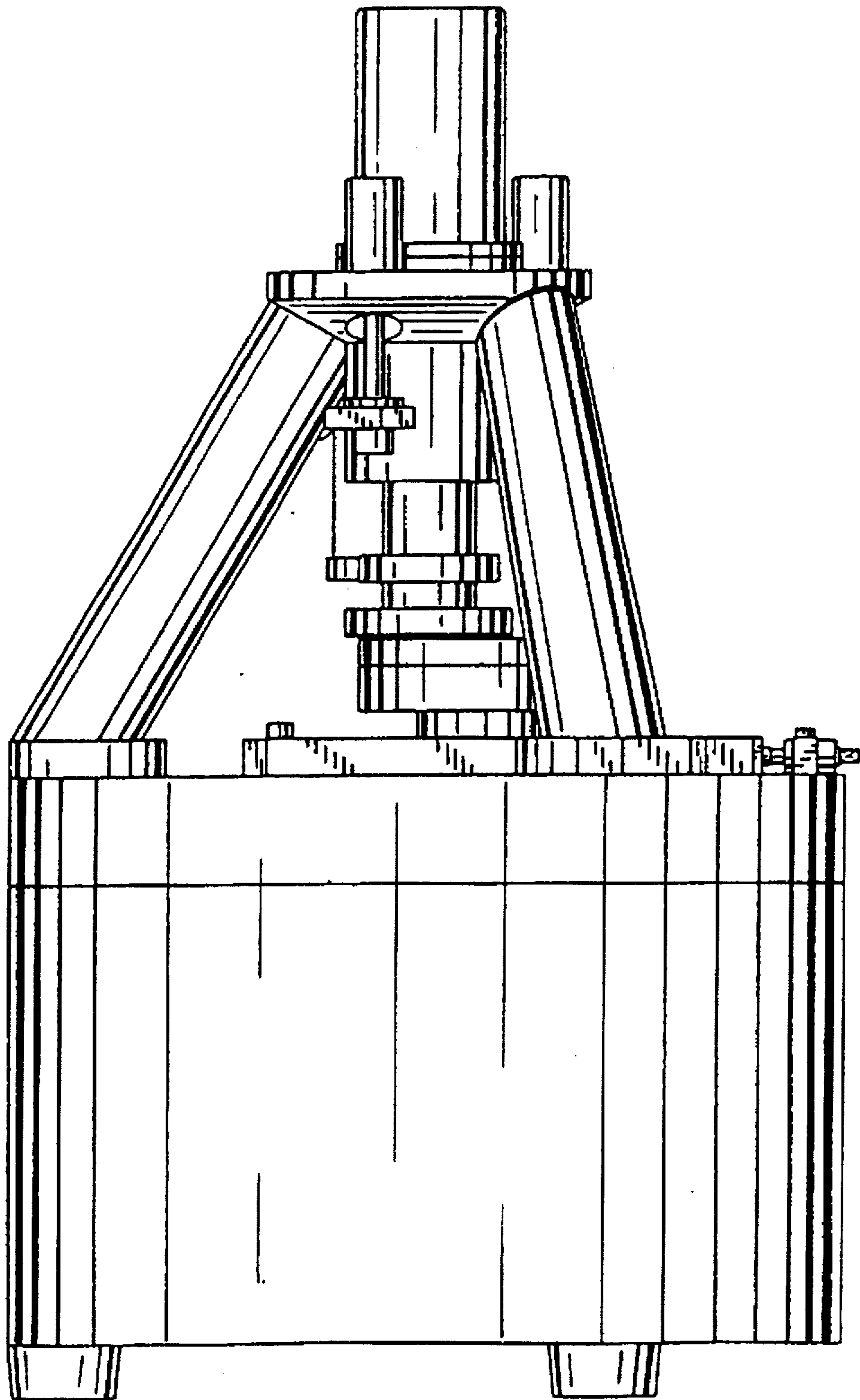
**FIG. 4**



**FIG. 5**



*FIG. 6*



**FIG. 7**

