



US00D390575S

United States Patent [19] LeBlanc

[11] Patent Number: **Des. 390,575**
[45] Date of Patent: ****Feb. 10, 1998**

[54] PLOW

[76] Inventor: **Michael LeBlanc**, P. O. Box 637, 20
Rue Acadie, Richibucto, New
Brunswick, Canada, E0A 2M0

[**] Term: **14 Years**

[21] Appl. No.: **64,534**

[22] Filed: **Jan. 3, 1997**

[51] LOC (6) Cl. **15-03**

[52] U.S. Cl. **D15/11**

[58] Field of Search D8/10; D15/10-12;
37/231, 322, 260, 265, 270, 272, 285

[56] **References Cited**

U.S. PATENT DOCUMENTS

D. 203,844 2/1966 Hilton D15/11

D. 275,957 10/1984 Sterrett D15/11
2,974,428 3/1961 Krasner D15/11
3,260,002 7/1966 Bresch 37/270
3,483,642 12/1969 Glesmann 37/232

Primary Examiner—Sandra L. Morris
Attorney, Agent, or Firm—Mario D. Theriault

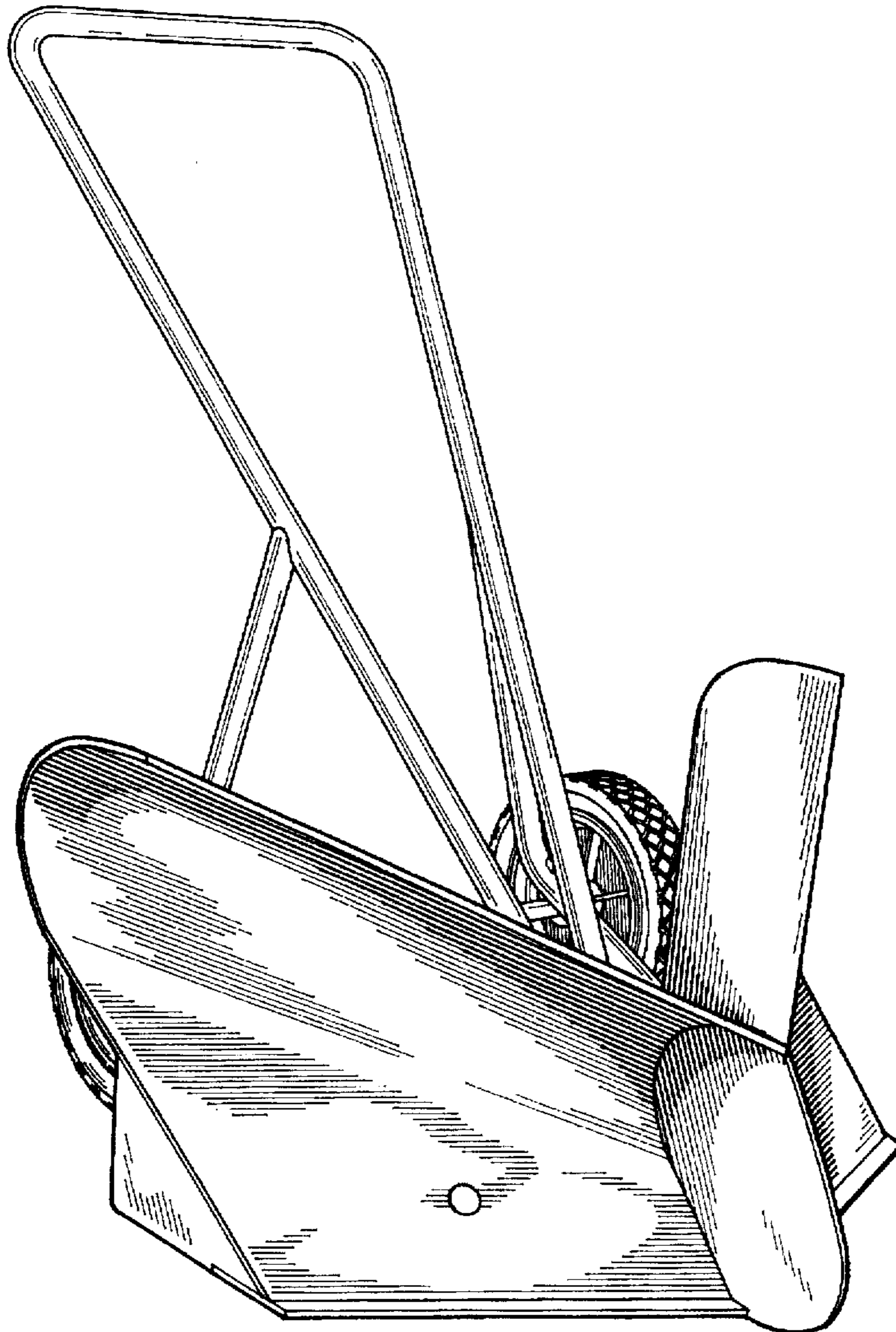
[57] **CLAIM**

The ornamental design for a plow, as shown and described.

DESCRIPTION

FIG. 1 is a perspective top, front and right side view of the plow showing my new design;
FIG. 2 is a front view thereof;
FIG. 3 is a right side view thereof;
FIG. 4 is a top view thereof;
FIG. 5 is an underside view thereof.

1 Claim, 4 Drawing Sheets



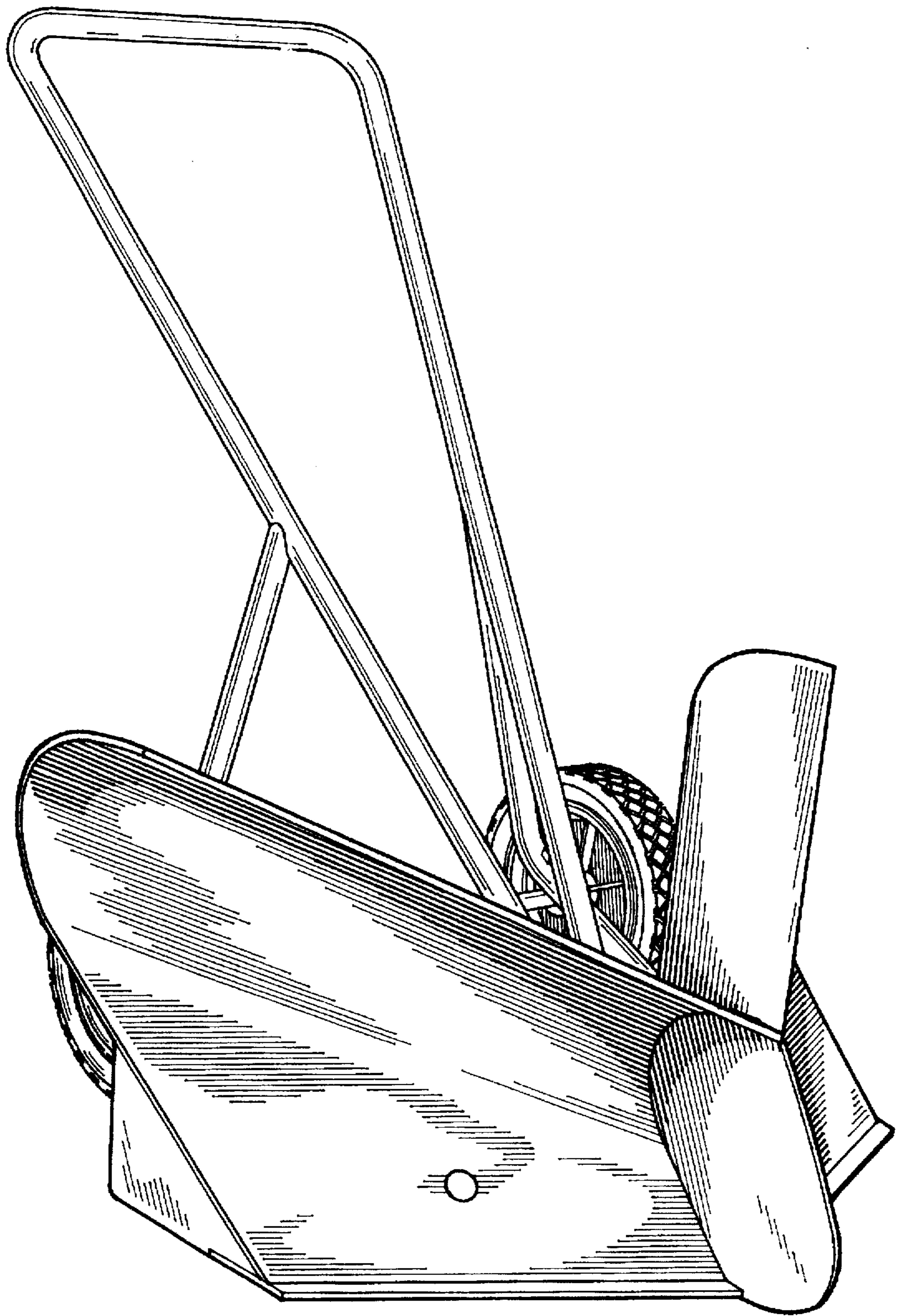


FIG. 1

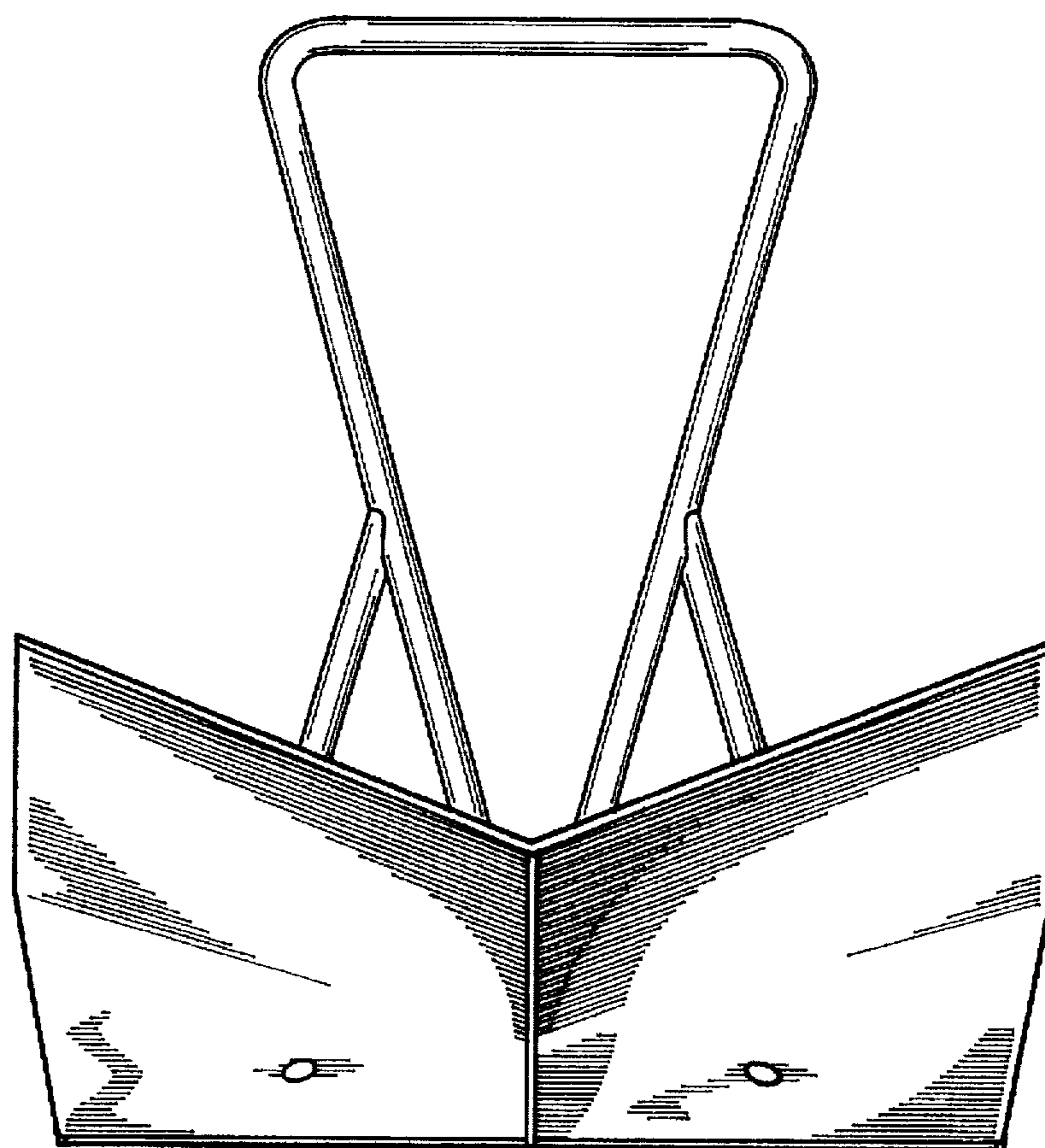


FIG. 2

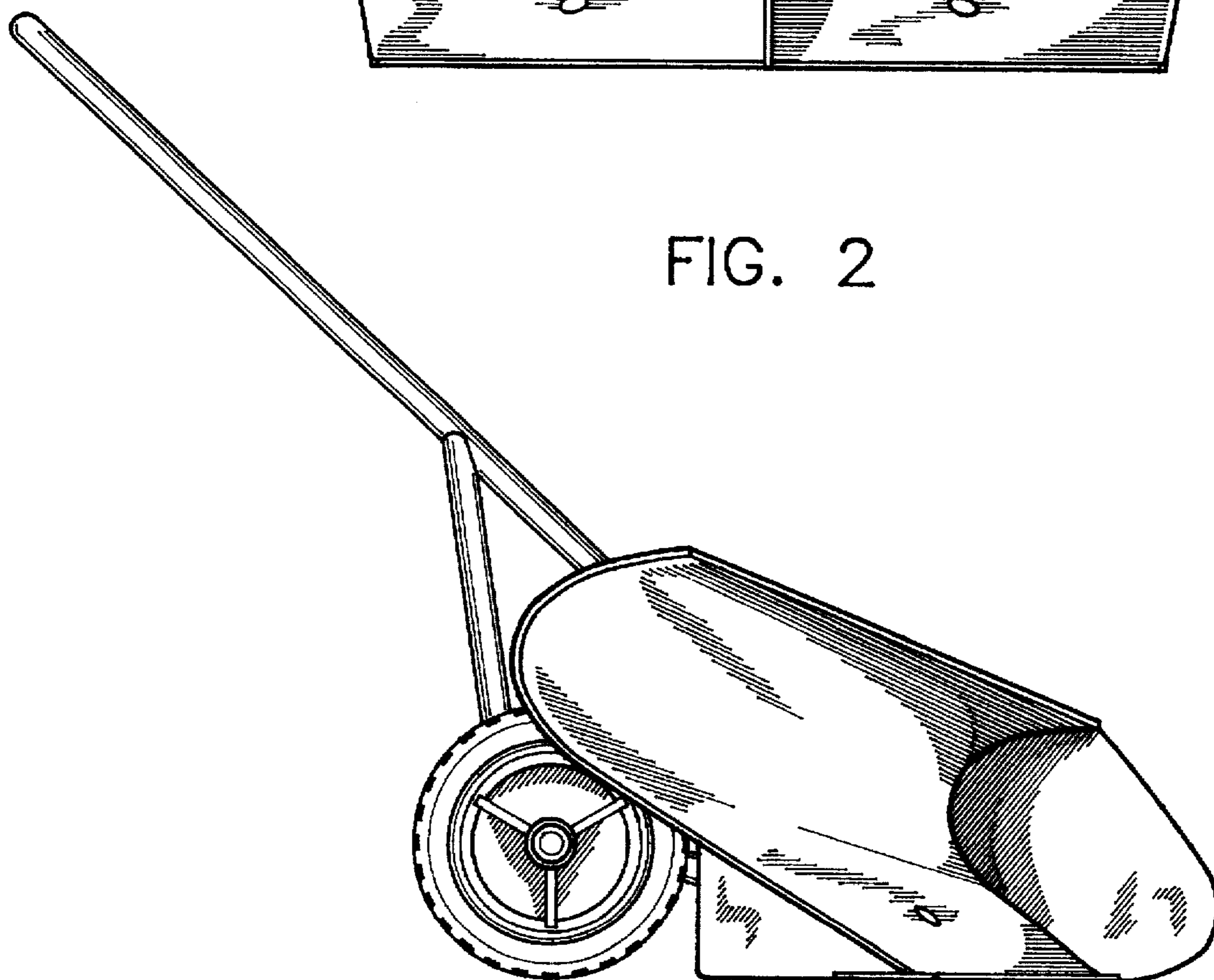


FIG. 3

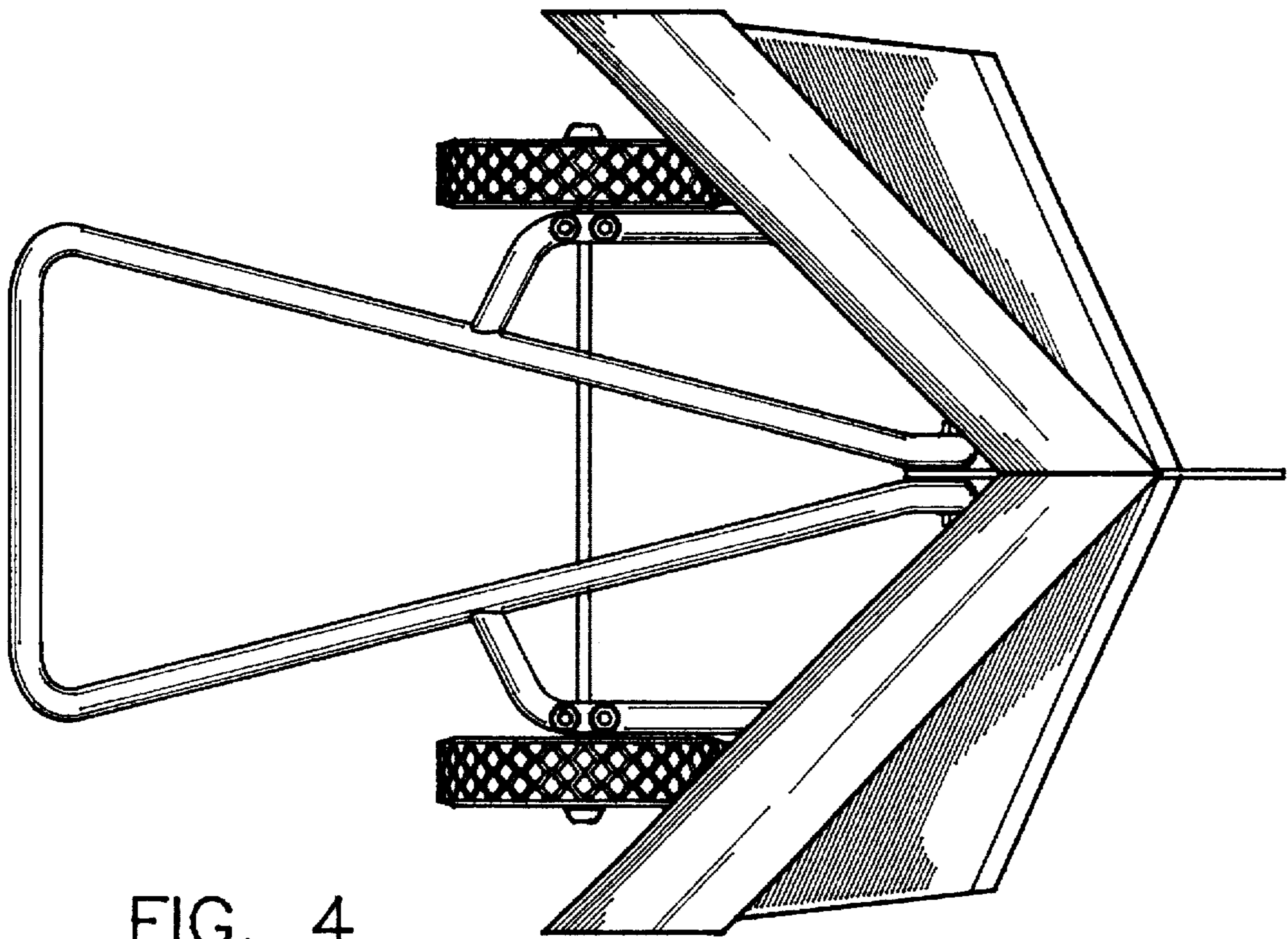


FIG. 4

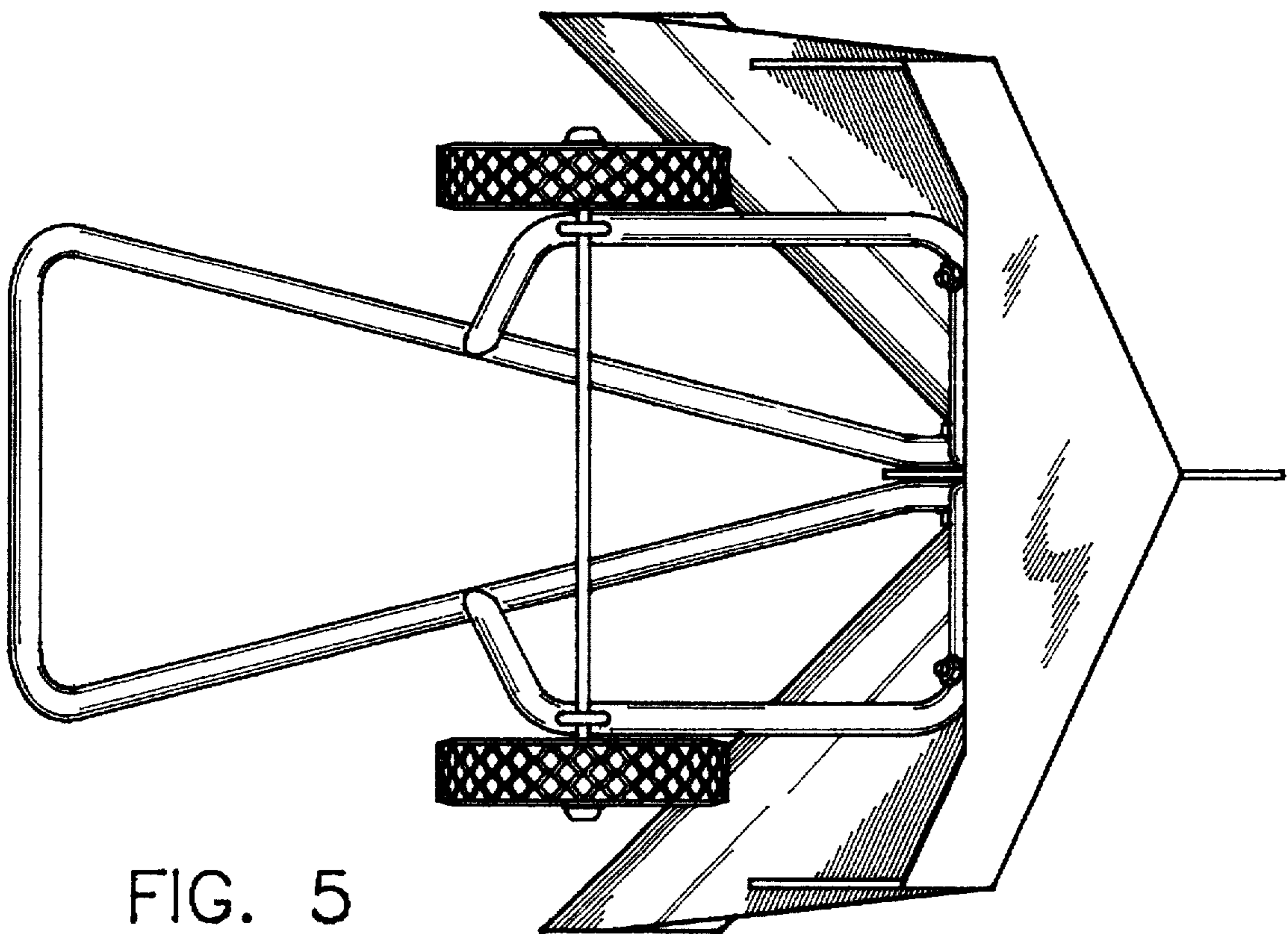


FIG. 5

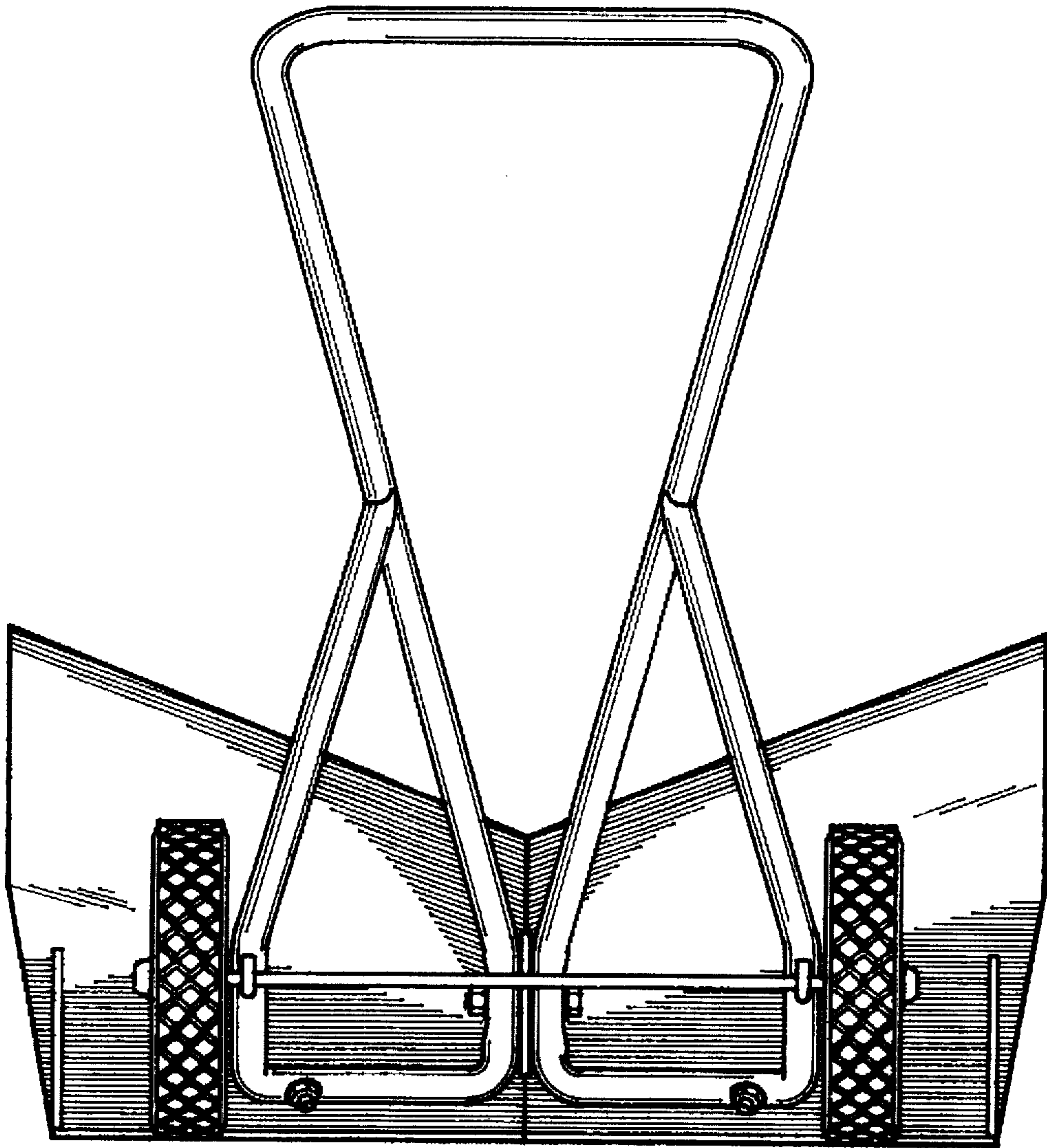


FIG. 6