



US00D390573S

United States Patent [19]

[11] Patent Number: Des. 390,573

Oross et al.

[45] Date of Patent: **Feb. 10, 1998

[54] FRONT PORTION OF A MOBILE RADIO

[75] Inventors: **Glen A. Oross**, Sunrise, Fla.; **Richard A. Ceraldi**, Austin, Tex.; **Masaru Tokiyama**, Coral Springs, Fla.

[73] Assignee: **Motorola, Inc.**, Schaumburg, Ill.

[**] Term: **14 Years**

[21] Appl. No.: **66,067**

[22] Filed: **Feb. 3, 1997**

[51] LOC (6) Cl. **14-03**

[52] U.S. Cl. **D14/258; D14/137**

[58] Field of Search **D14/257, 258, D14/137, 157; 455/73, 89, 90**

[56] **References Cited**

U.S. PATENT DOCUMENTS

D. 247,708	4/1978	Furst et al.	D14/157
D. 357,025	4/1995	Tokiyama et al.	D14/258
D. 358,155	5/1995	Bak et al.	D14/257
D. 364,877	12/1995	Tokiyama et al.	D14/258
D. 366,048	1/1996	Tokiyama et al.	D14/258

Primary Examiner—B. J. Bullock
Attorney, Agent, or Firm—Dale W. Dorinski

[57] **CLAIM**

The ornamental design for a front portion of a mobile radio, as shown and described.

DESCRIPTION

FIG. 1 is an isometric view of the front, top and right side of the front portion of a mobile radio showing our new design;

FIG. 2 is a front elevational view thereof;

FIG. 3 is a left side elevational view thereof;

FIG. 4 is a right side elevational view thereof;

FIG. 5 is a top plan view thereof;

FIG. 6 is a bottom plan view thereof; and,

FIG. 7 is an isometric view of another embodiment of our new design showing the front, top and left side of the front portion of a mobile radio;

FIG. 8 is a front elevational view thereof;

FIG. 9 is a left side elevational view thereof;

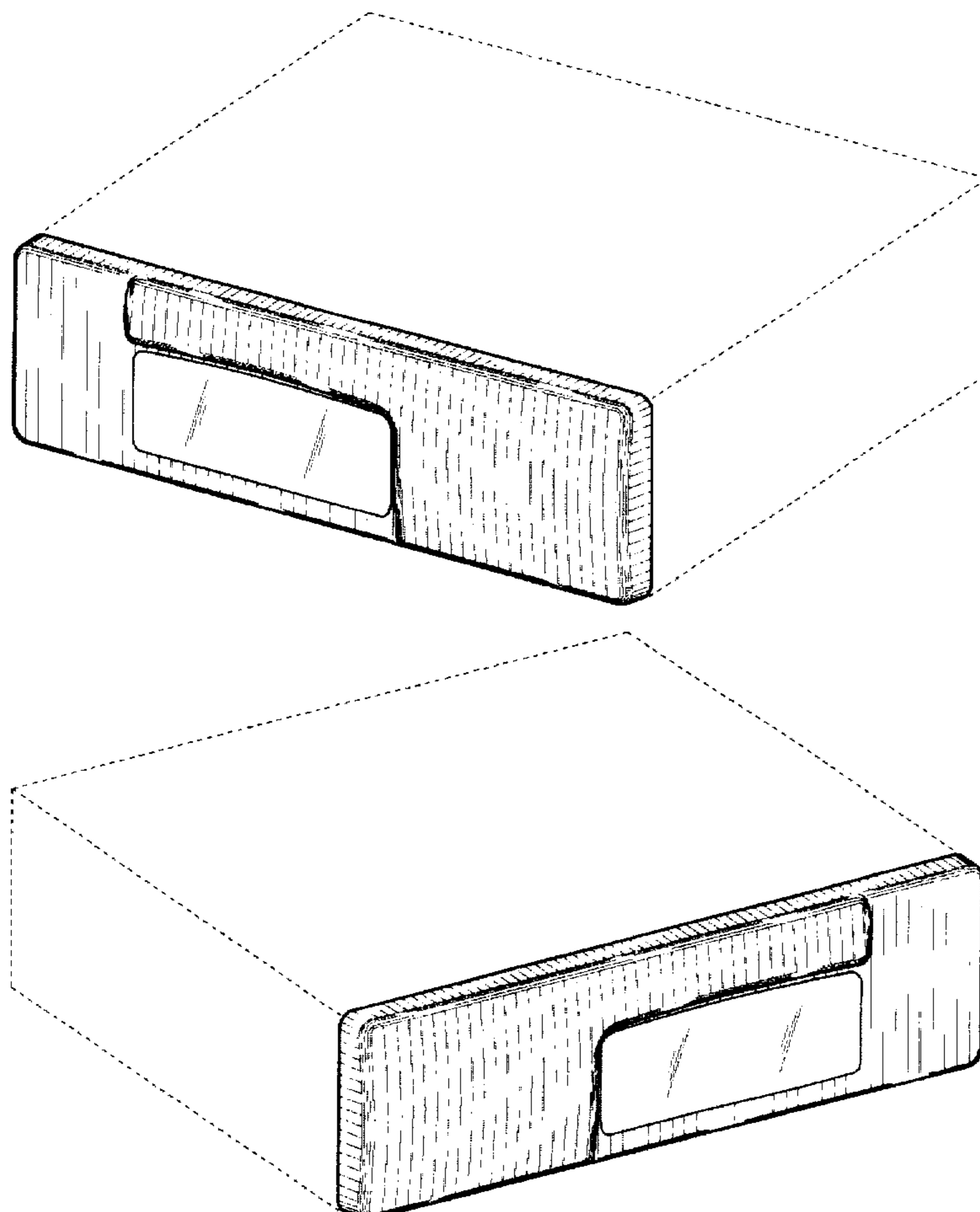
FIG. 10 is a right side elevational view thereof;

FIG. 11 is a top plan view thereof; and,

FIG. 12 is a bottom plan view thereof.

The broken lines shown in FIGS. 1-12 are included for the purpose of illustrating environmental structure only and form no part of our claimed design.

1 Claim, 10 Drawing Sheets



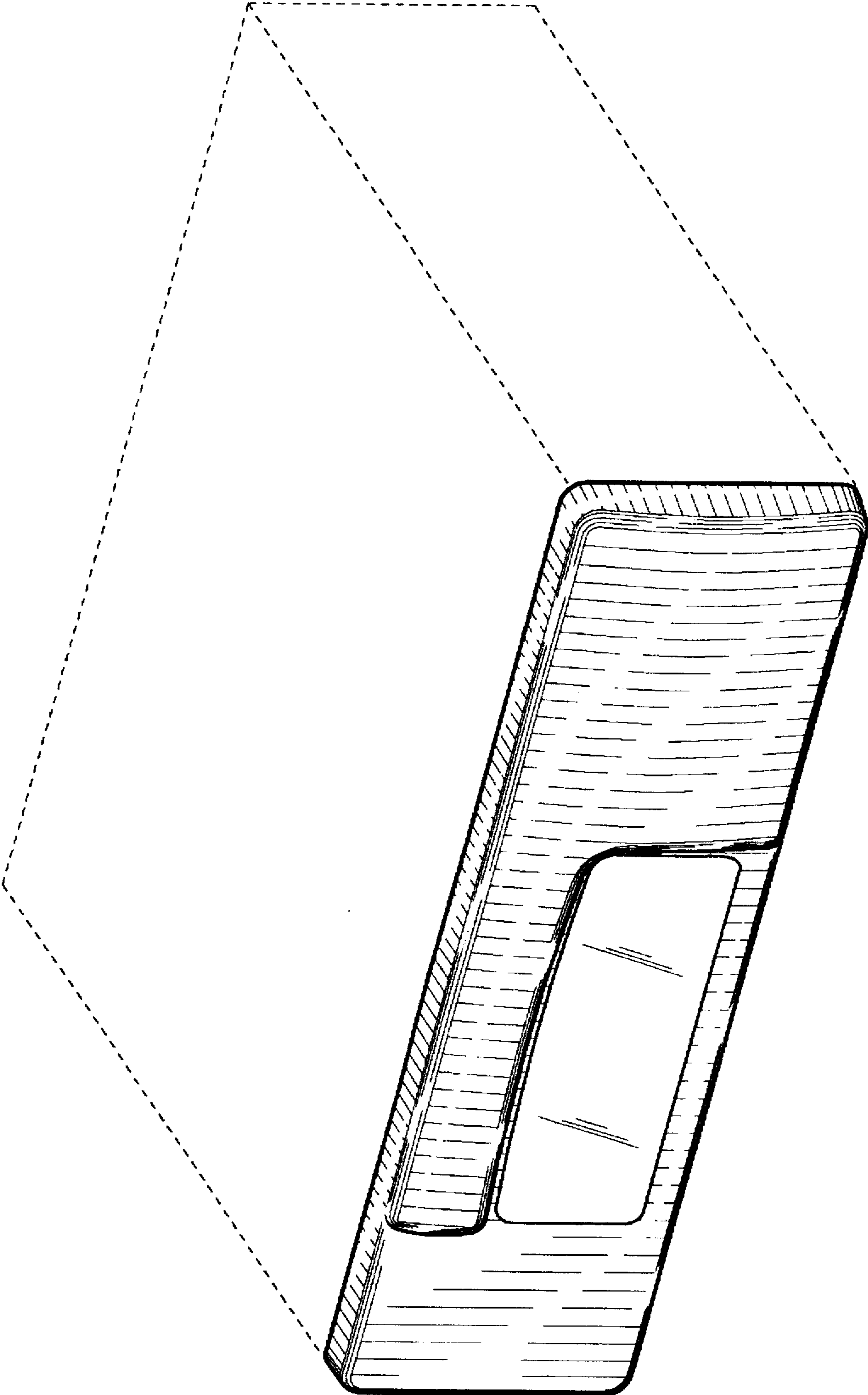


FIG. 1

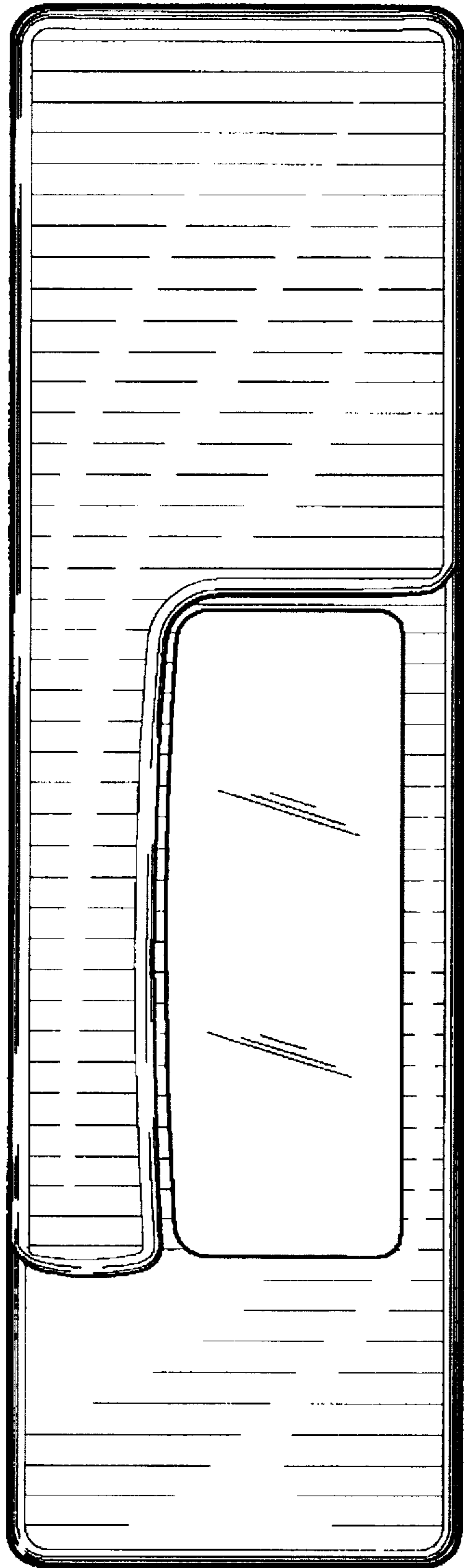


FIG. 2

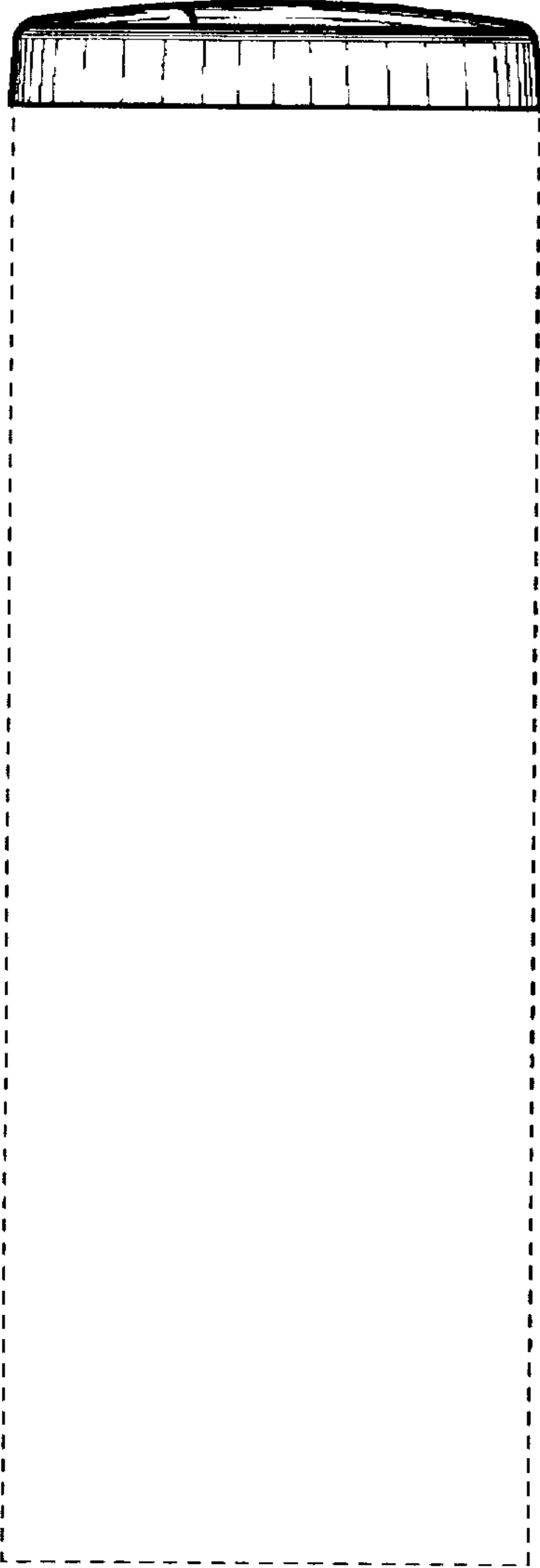


FIG. 3

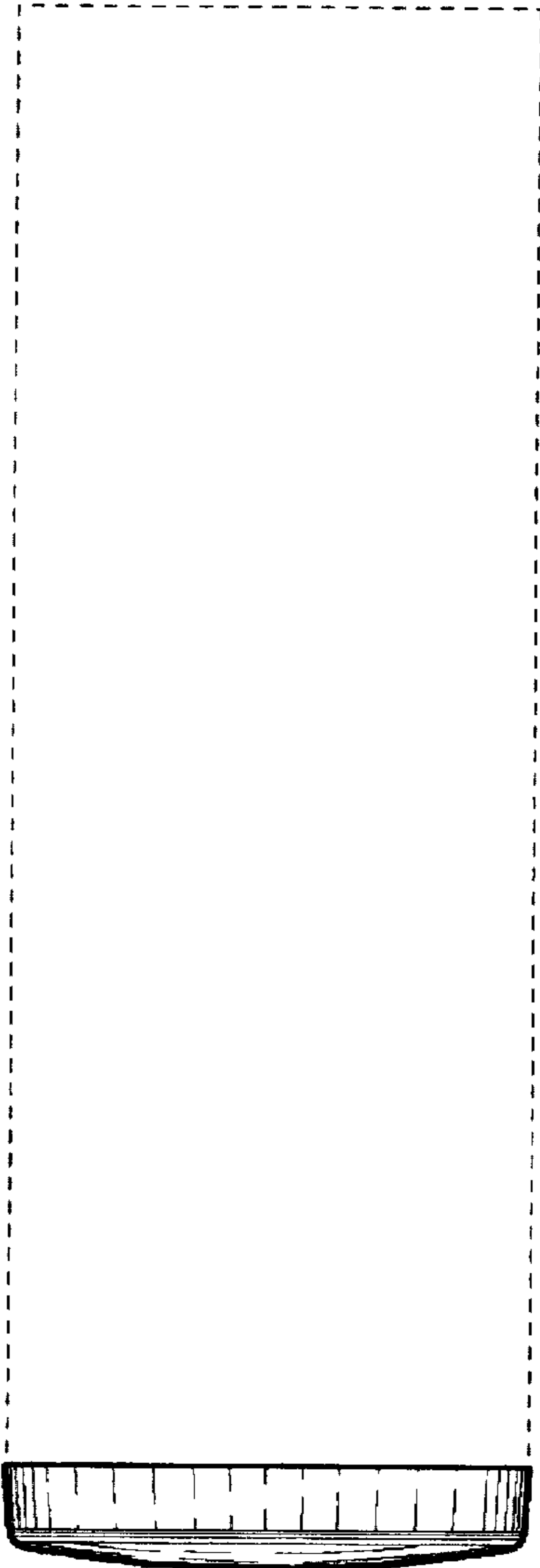


FIG. 4

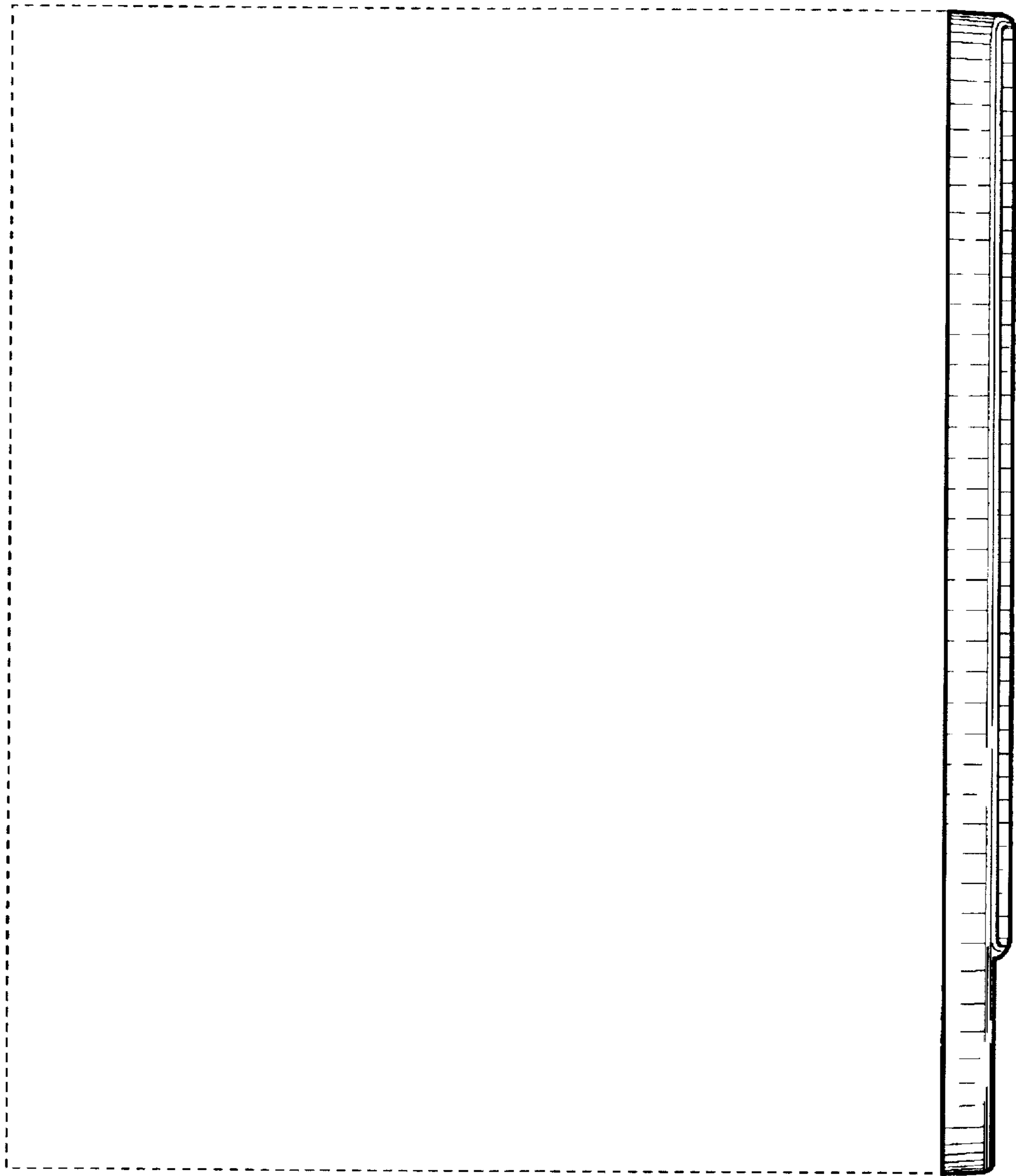


FIG. 5

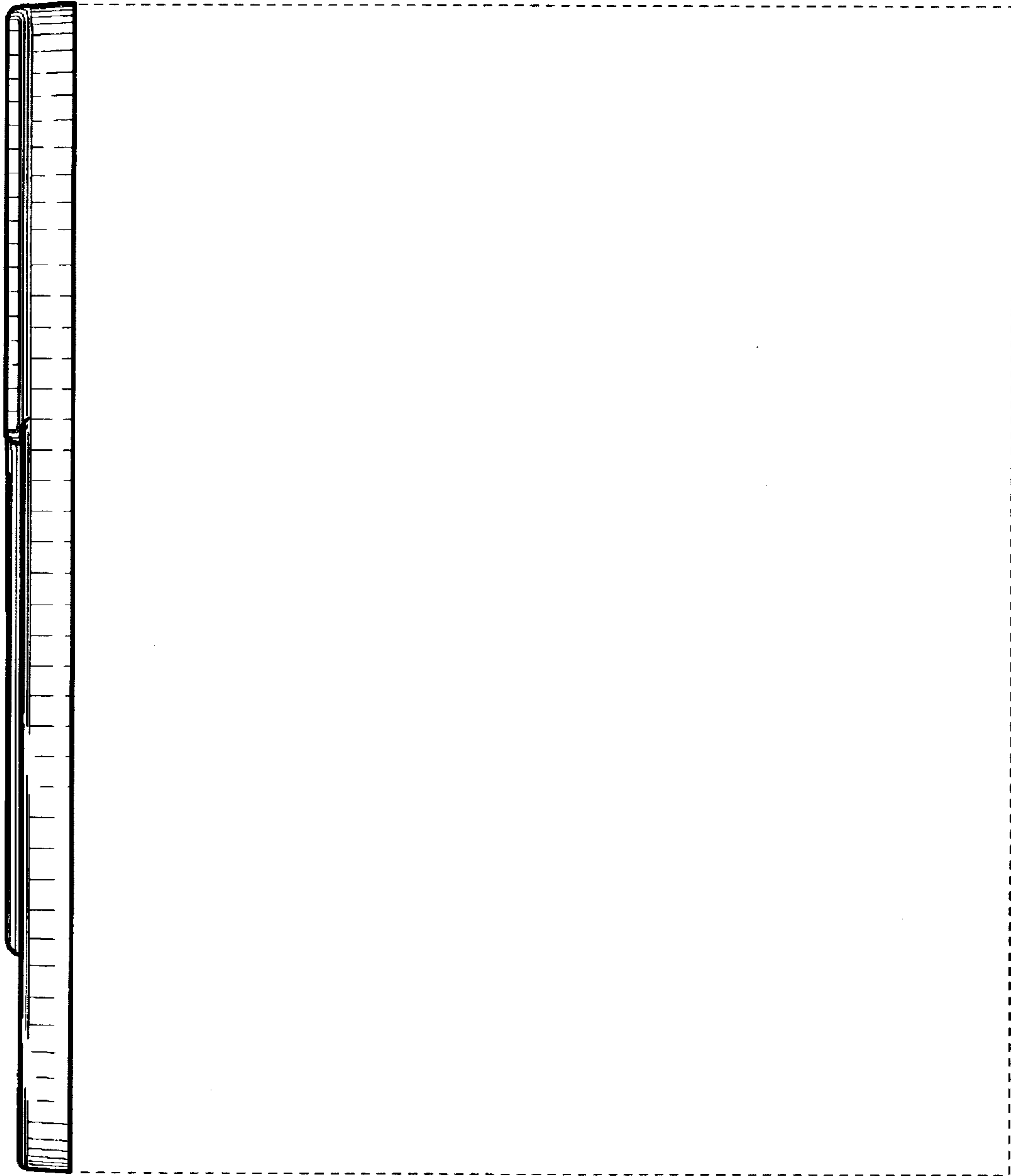


FIG. 6

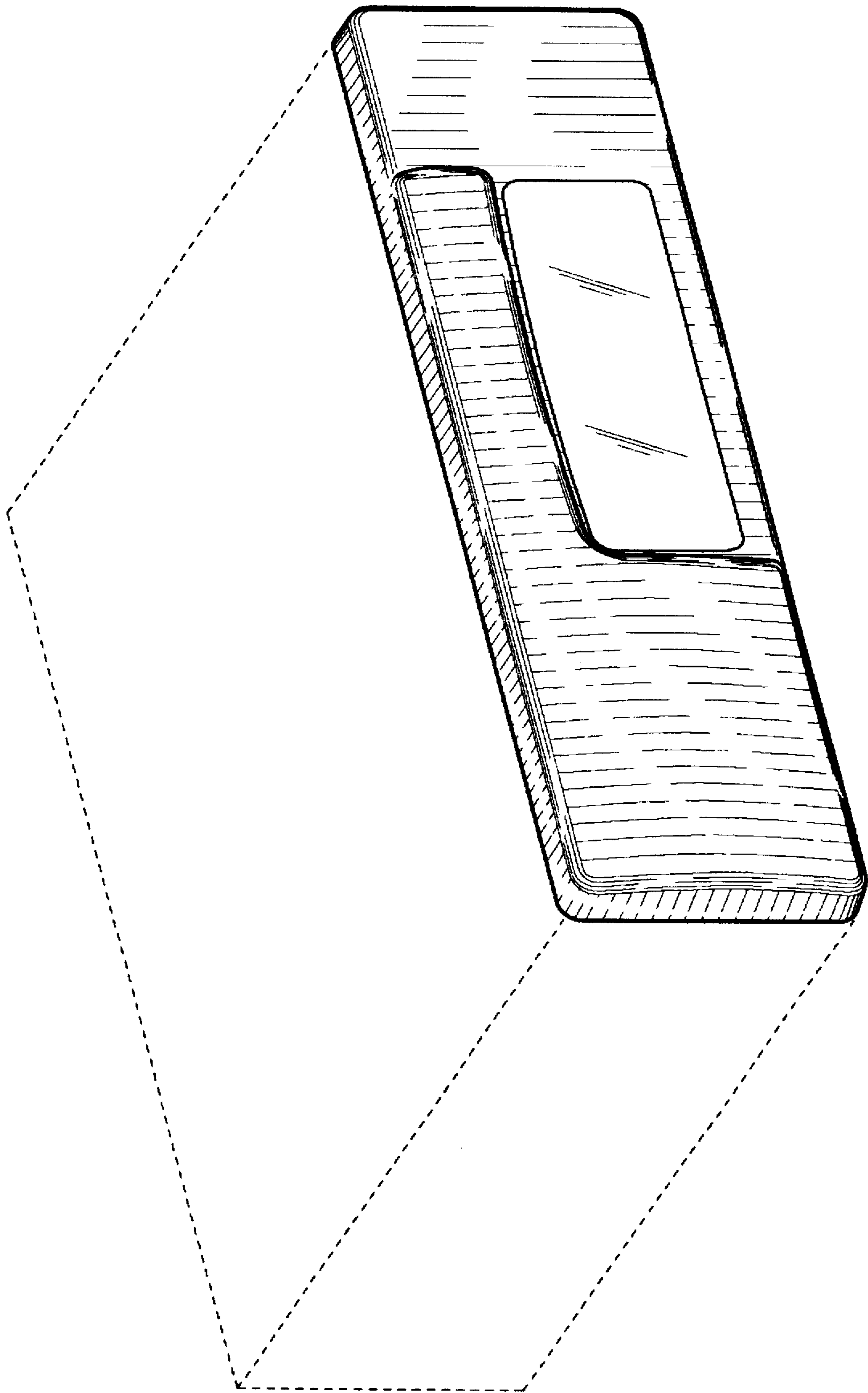


FIG. 7

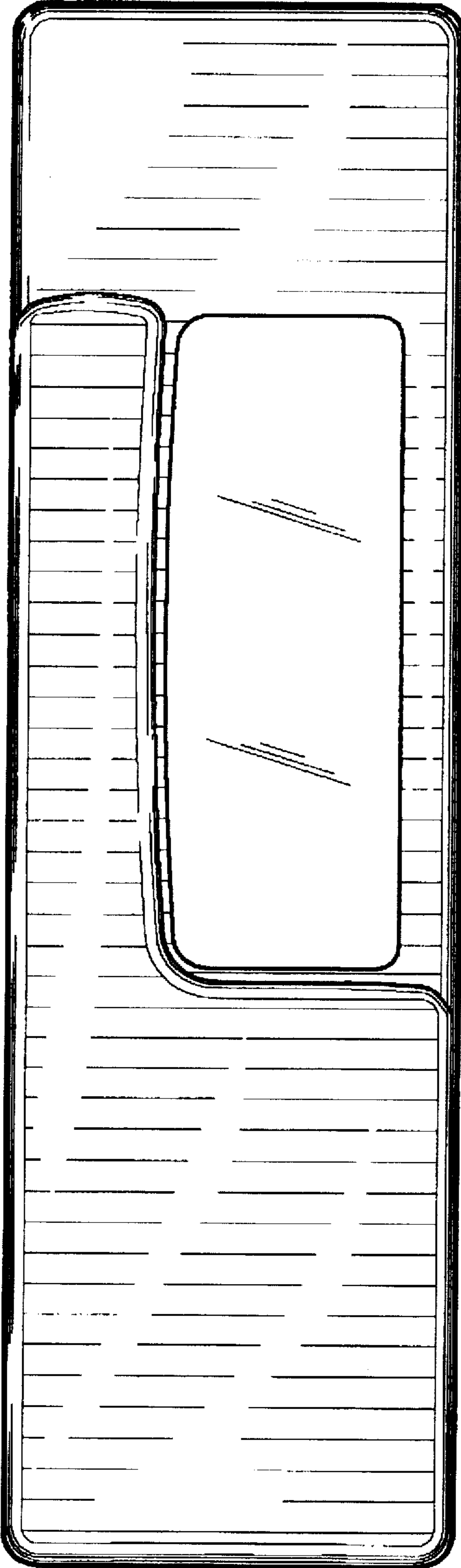


FIG. 8

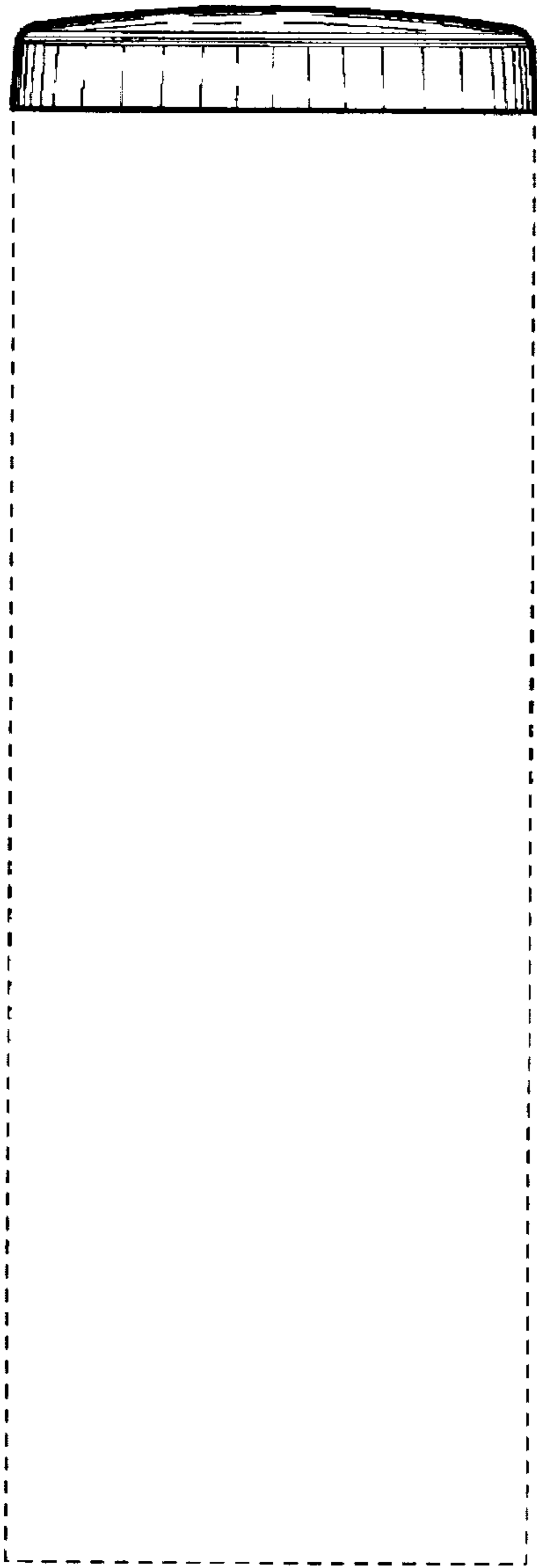


FIG. 9

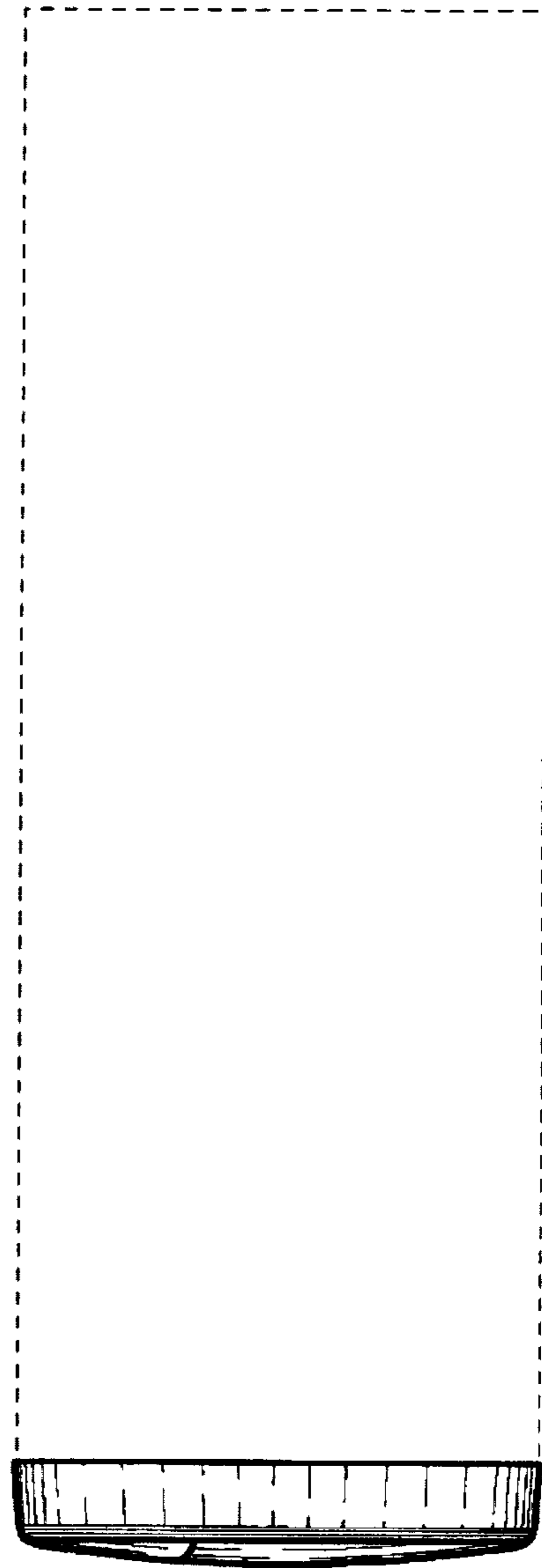


FIG. 10

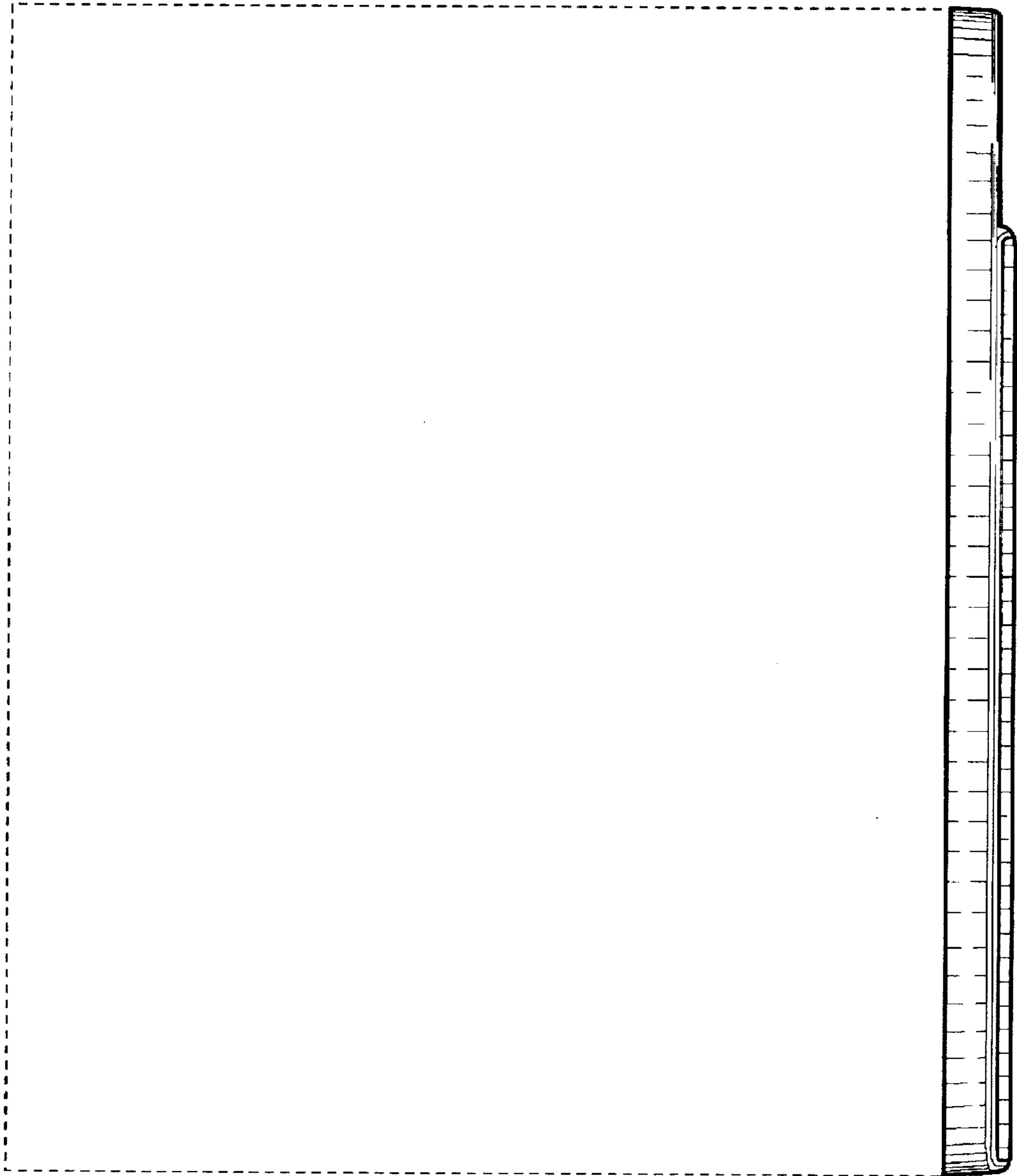


FIG. 11

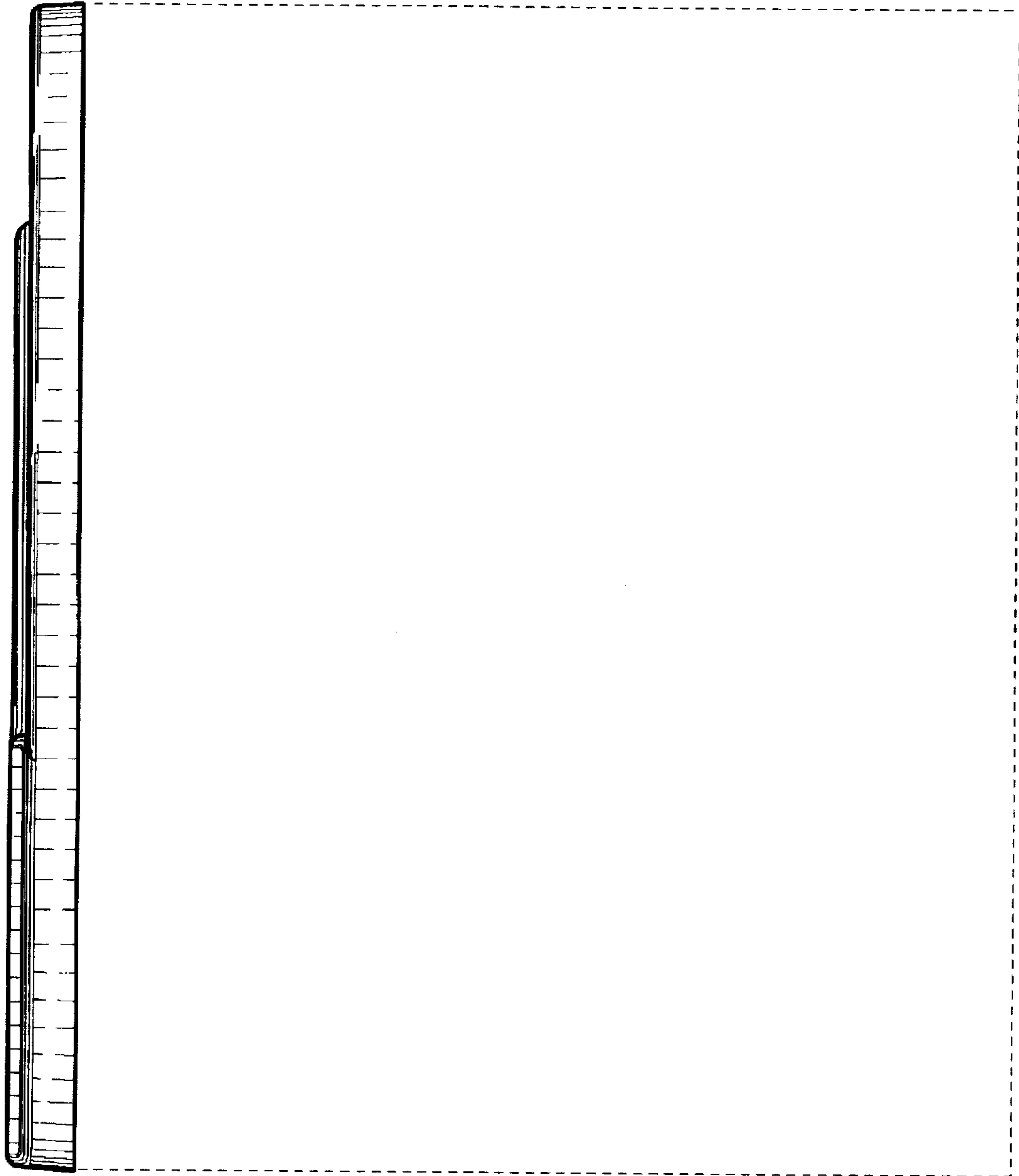


FIG. 12