



US00D390570S

# United States Patent [19]

Read

[11] Patent Number: **Des. 390,570**

[45] Date of Patent: **\*\*Feb. 10, 1998**

[54] **WIRELESS RECEIVER**

[75] Inventor: **Clifford D. Read**, Stittsville, Canada

[73] Assignee: **Northern Telecom Limited**, Montreal, Canada

[\*\*] Term: **14 Years**

[21] Appl. No.: **64,732**

[22] Filed: **Jan. 9, 1997**

[51] LOC (6) Cl. .... **14-03**

[52] U.S. Cl. .... **D14/240; D14/188**

[58] Field of Search ..... D14/140, 142, D14/149, 240, 256, 100, 107, 114, 155, 159, 137, 188, 198, 245; D13/147, 152, 184, 164; 379/419, 420, 428, 440, 441, 442, 399, 418; 361/823, 724; 174/52.1, 59, 52.3, 53; 385/134, 135; 439/412, 417, 709; 455/347, 90, 561, 436, 550, 91; 375/211, 222

[56] **References Cited**

**U.S. PATENT DOCUMENTS**

D. 203,186 12/1965 Kamp ..... D14/240  
D. 238,789 2/1976 Ross ..... D14/188

D. 272,443 1/1984 Wong et al. .... D14/155  
D. 276,998 1/1985 Caven ..... D13/184  
D. 307,908 5/1990 Pushelberg ..... D14/240  
D. 310,355 9/1990 Trager ..... D14/114 X  
D. 313,233 12/1990 Andrews, Sr. et al. .... D14/140 X  
D. 316,264 4/1991 Levy ..... D14/245  
D. 324,864 3/1992 Hector ..... D14/159 X  
D. 327,887 7/1992 Pushelberg et al. .... D14/240 X  
D. 328,069 7/1992 Langton ..... D14/137 X  
D. 337,114 7/1993 Mantz ..... D13/184 X  
D. 372,474 8/1996 Ford et al. .... D14/240

Primary Examiner—Jeffrey Asch  
Attorney, Agent, or Firm—R. J. Austin

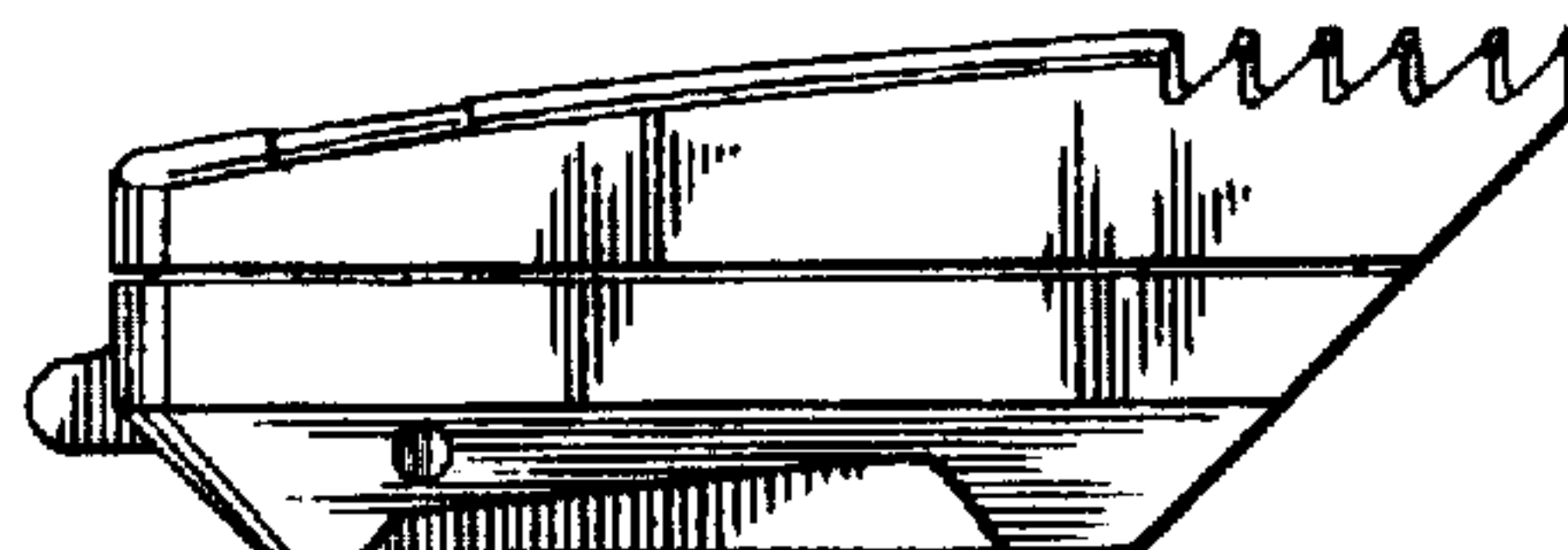
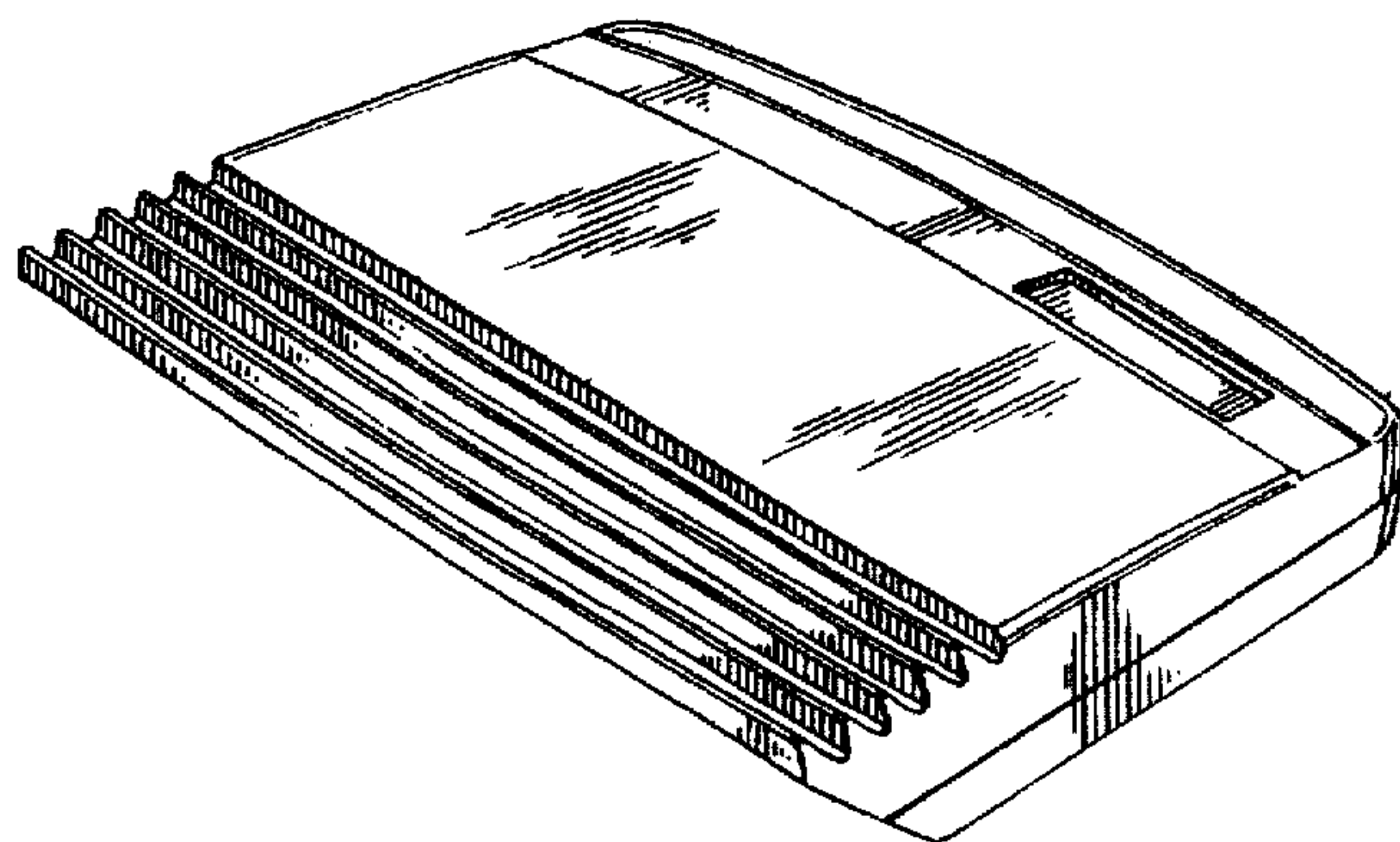
[57] **CLAIM**

The ornamental design for a wireless receiver, as shown and described.

**DESCRIPTION**

FIG. 1 is a front isometric view of the wireless receiver; FIG. 2 is a front elevational view thereof; FIG. 3 is a rear elevational view thereof; FIG. 4 is a top plan view thereof; FIG. 5 is a bottom plan view thereof; FIG. 6 is a left hand side view thereof; and, FIG. 7 is a right hand side view thereof.

**1 Claim, 3 Drawing Sheets**



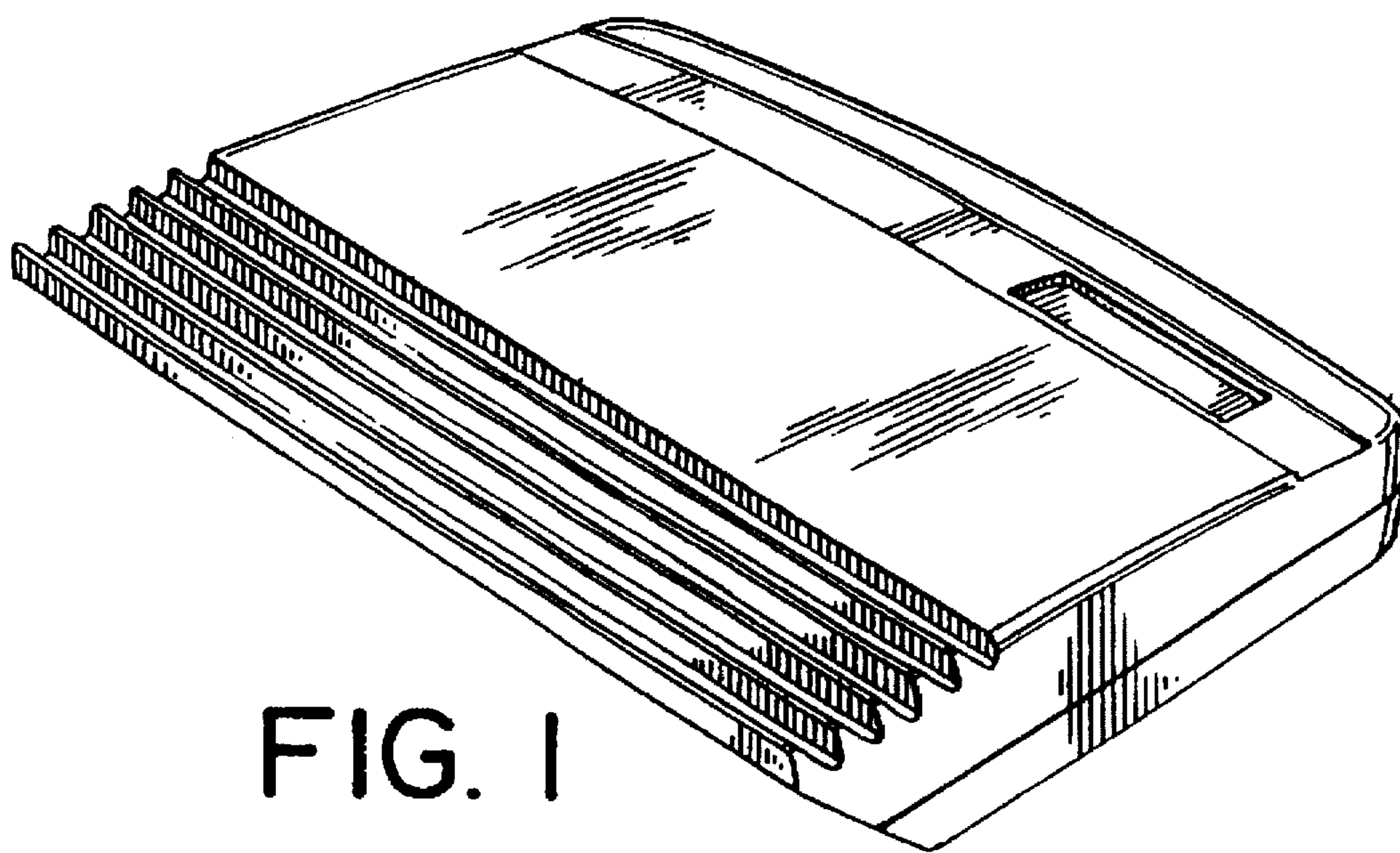


FIG. 1

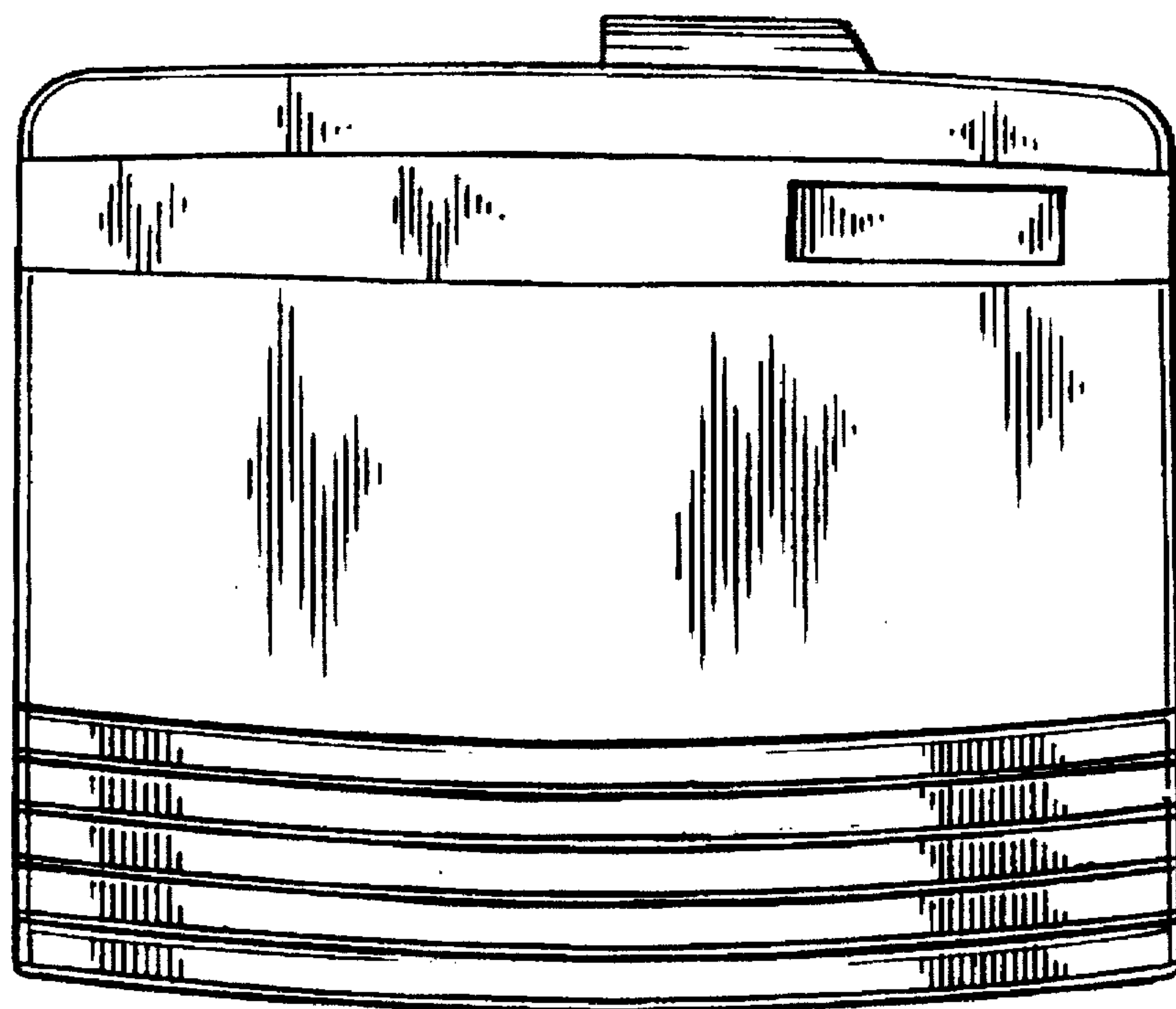


FIG. 2

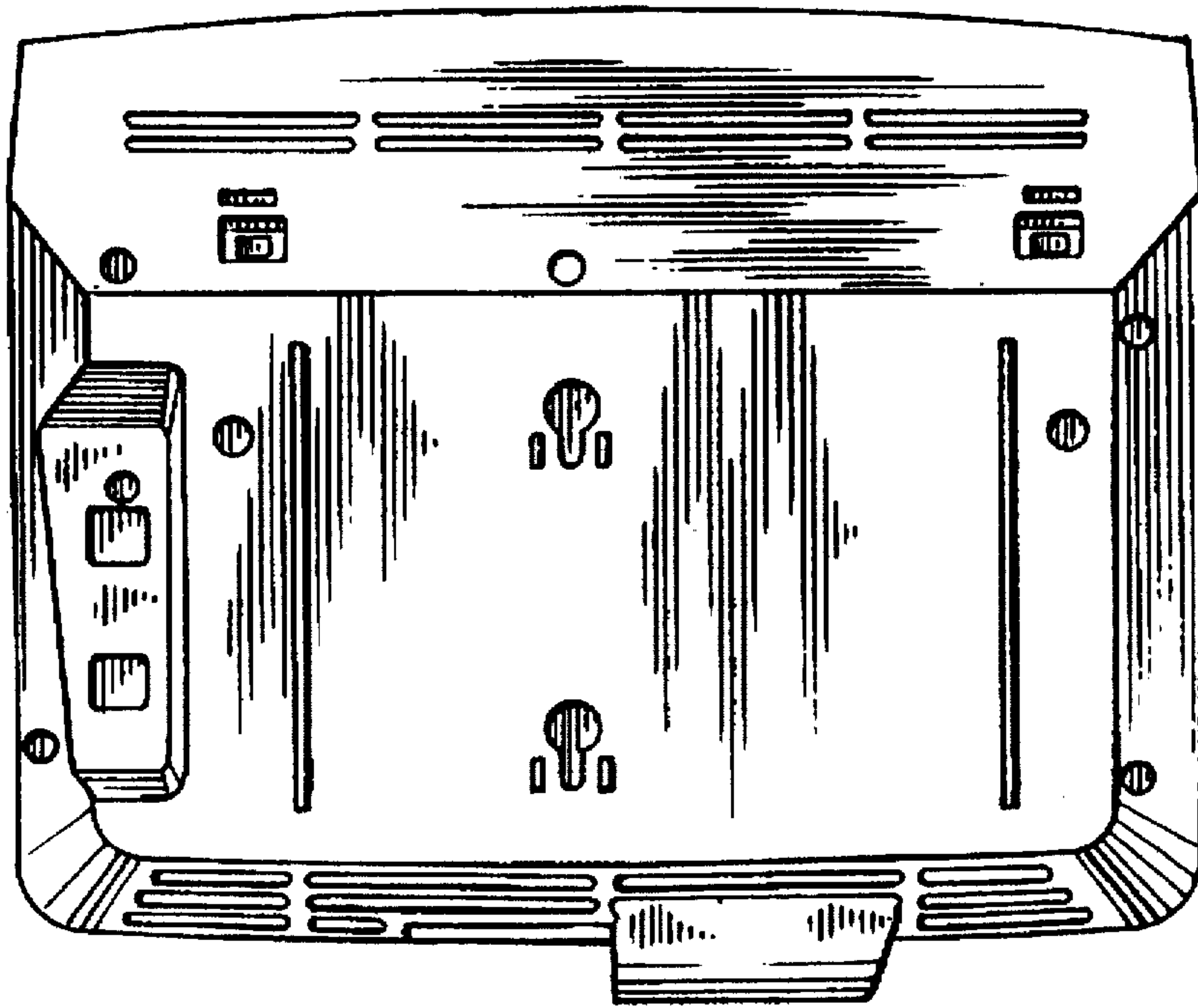


FIG. 3

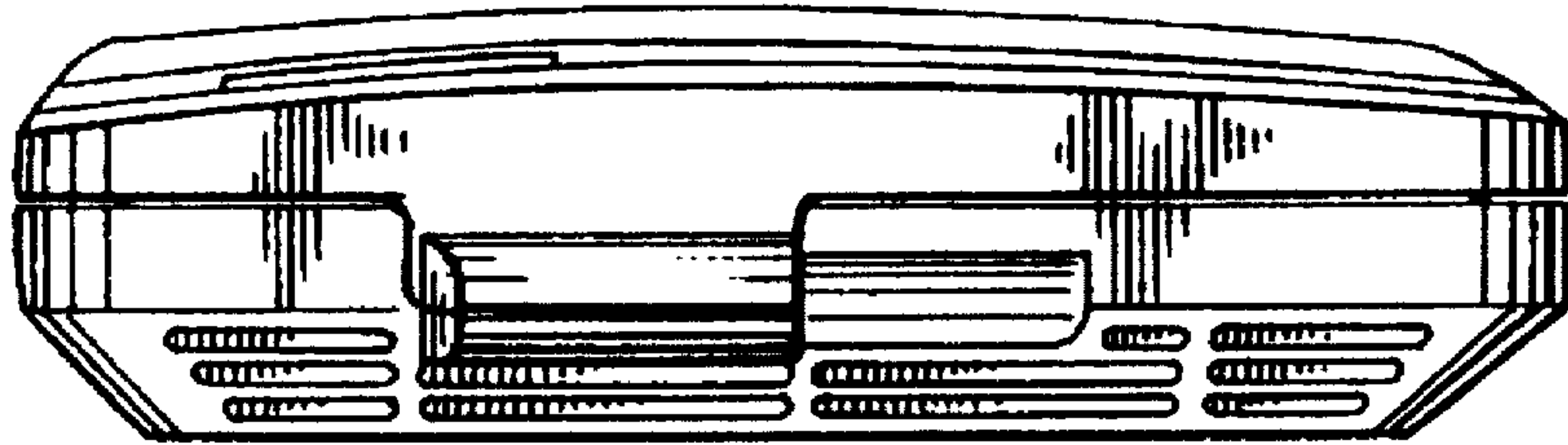


FIG. 4

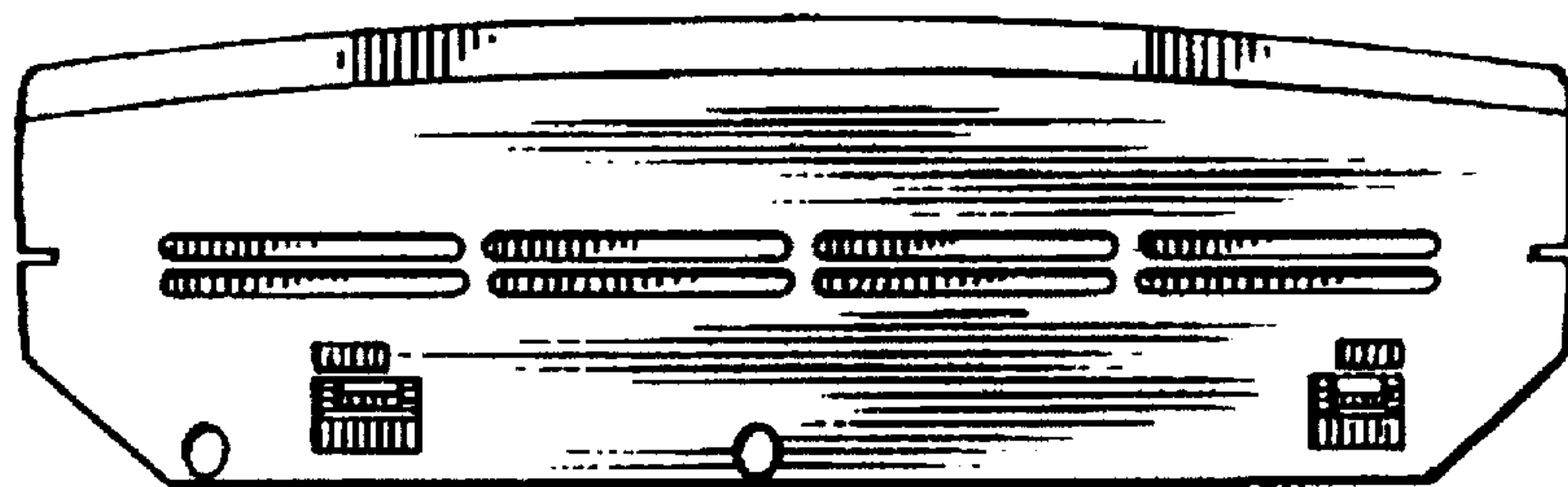


FIG. 5

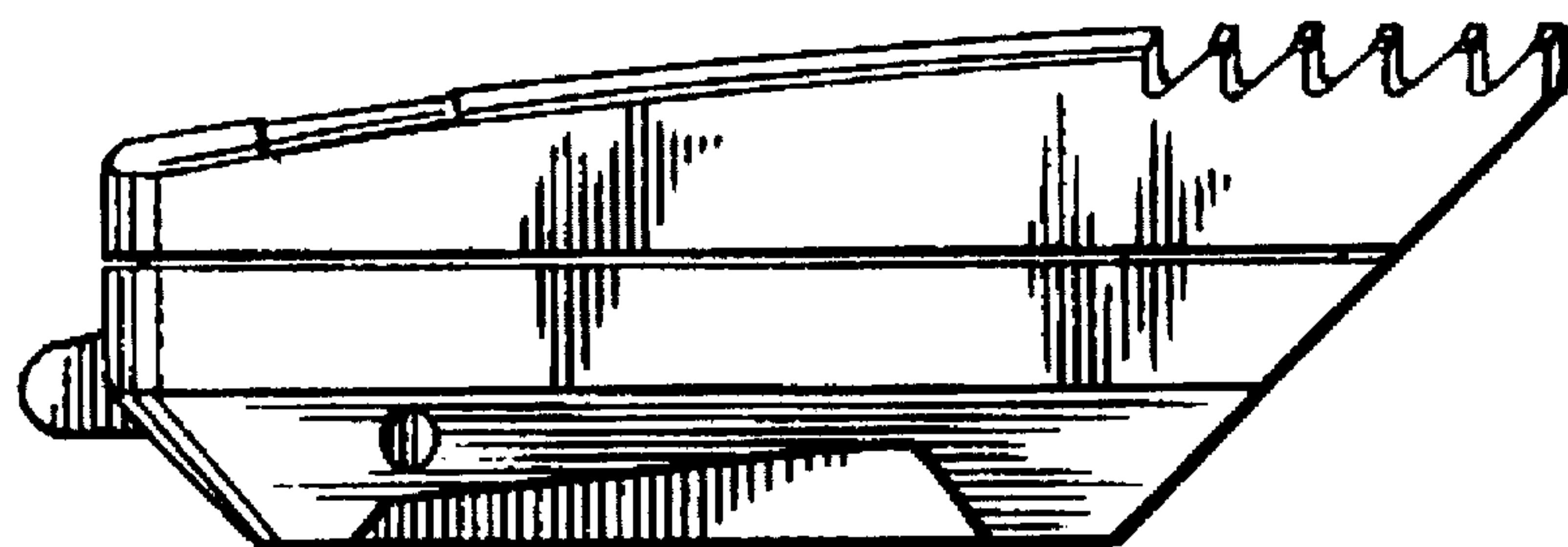


FIG. 6

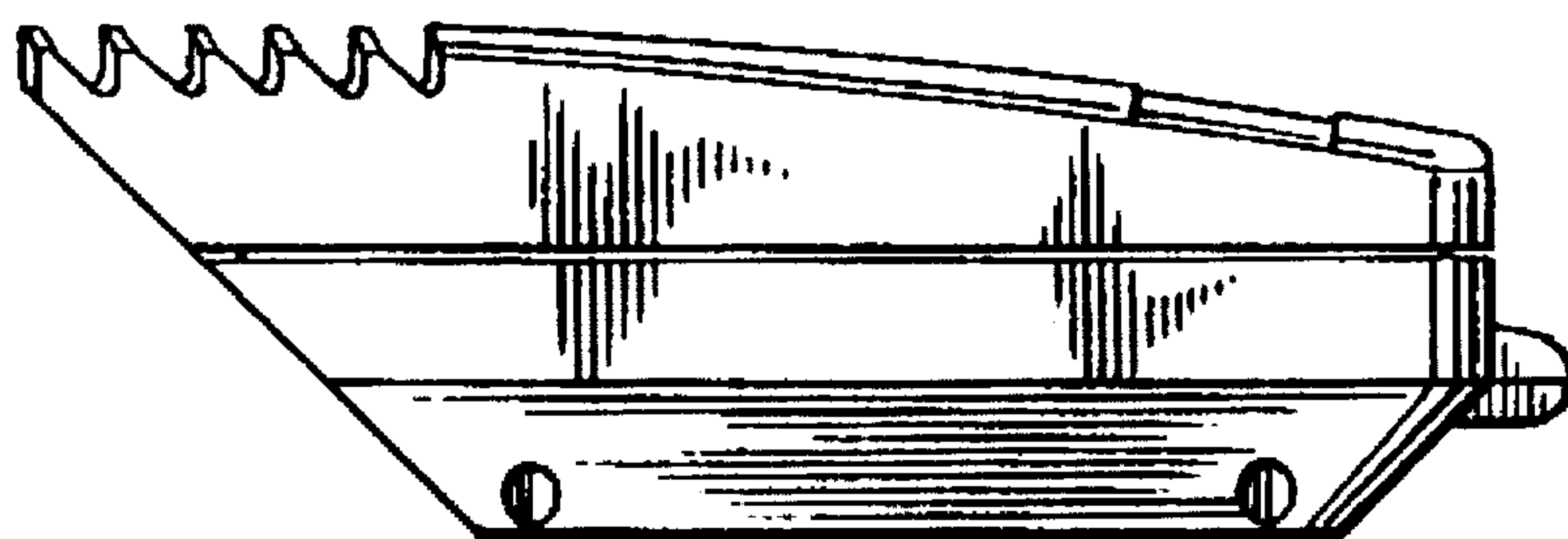


FIG. 7