



US00D390557S

United States Patent [19]

Vogel et al.

[11] Patent Number: **Des. 390,557**

[45] Date of Patent: ****Feb. 10, 1998**

[54] **KEYBOARD FOR PERSONAL COMPUTER**

[75] Inventors: **Lorrie Vogel**, Lake Oswego, Oreg.;
Jonathan Scheiner, Topanga, Calif.;
Martin M. Lotti, Friburg, Switzerland

[73] Assignee: **Gateway 2000, Inc.**, North Sioux City,
S. Dak.

[**] Term: **14 Years**

[21] Appl. No.: **60,415**

[22] Filed: **Sep. 27, 1996**

[51] LOC (6) Cl. **14-02**

[52] U.S. Cl. **D14/115**

[58] **Field of Search** D14/100, 101,
D14/106, 115; D18/1, 2, 7; 178/17 A, 17 C;
200/5 A, 5 R, 6 A, 6 R; 235/145 A, 145 R;
341/22, 23; 345/160, 168; 364/708.1; 400/472,
479, 484-488

[56] **References Cited**

U.S. PATENT DOCUMENTS

D. 279,190 6/1985 Tsumura et al. D14/115

D. 307,748 5/1990 Cardona et al. D14/115
D. 308,200 5/1990 Sottsass D14/115
D. 361,563 8/1995 Tsai D14/115

Primary Examiner—Freda Nunn
Attorney, Agent, or Firm—Schwegman, Lundberg,
Woessner & Kluth, P.A.

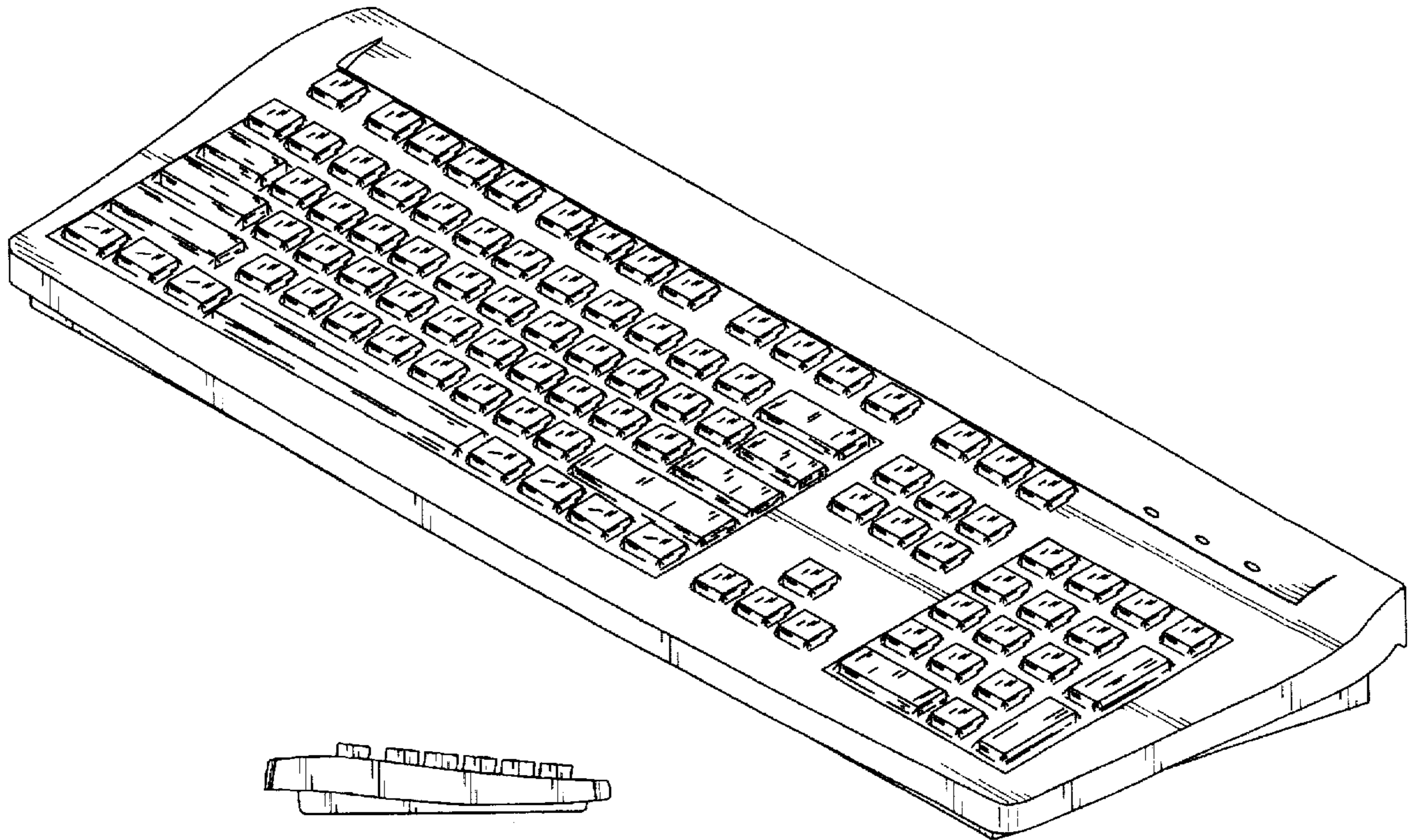
[57] **CLAIM**

The ornamental design for a keyboard for personal computer, as shown and described.

DESCRIPTION

FIG. 1 is a right front perspective view of a keyboard for a personal computer incorporating our new design; FIG. 2 is a bottom plan view of the keyboard of FIG. 1; FIG. 3 is a rear elevation of the keyboard of FIG. 1; FIG. 4 is a left side elevation of the keyboard of FIG. 1; FIG. 5 is a right front perspective view of a second embodiment incorporating our new design; FIG. 6 is a bottom plan view of the keyboard of FIG. 5; FIG. 7 is a rear elevation of the keyboard of FIG. 5; and, FIG. 8 is a left side elevation of the keyboard of FIG. 5.

1 Claim, 4 Drawing Sheets



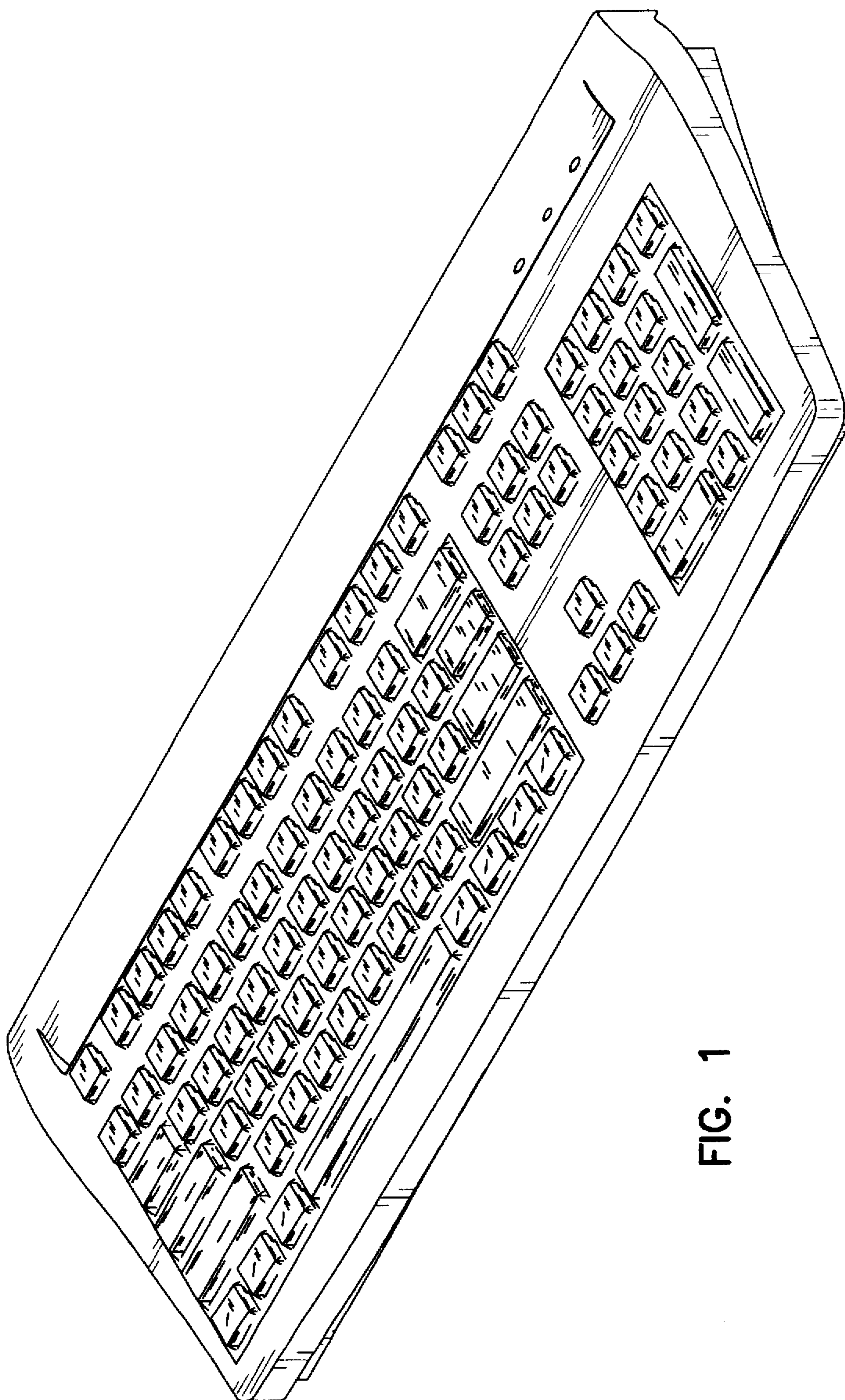


FIG. 1

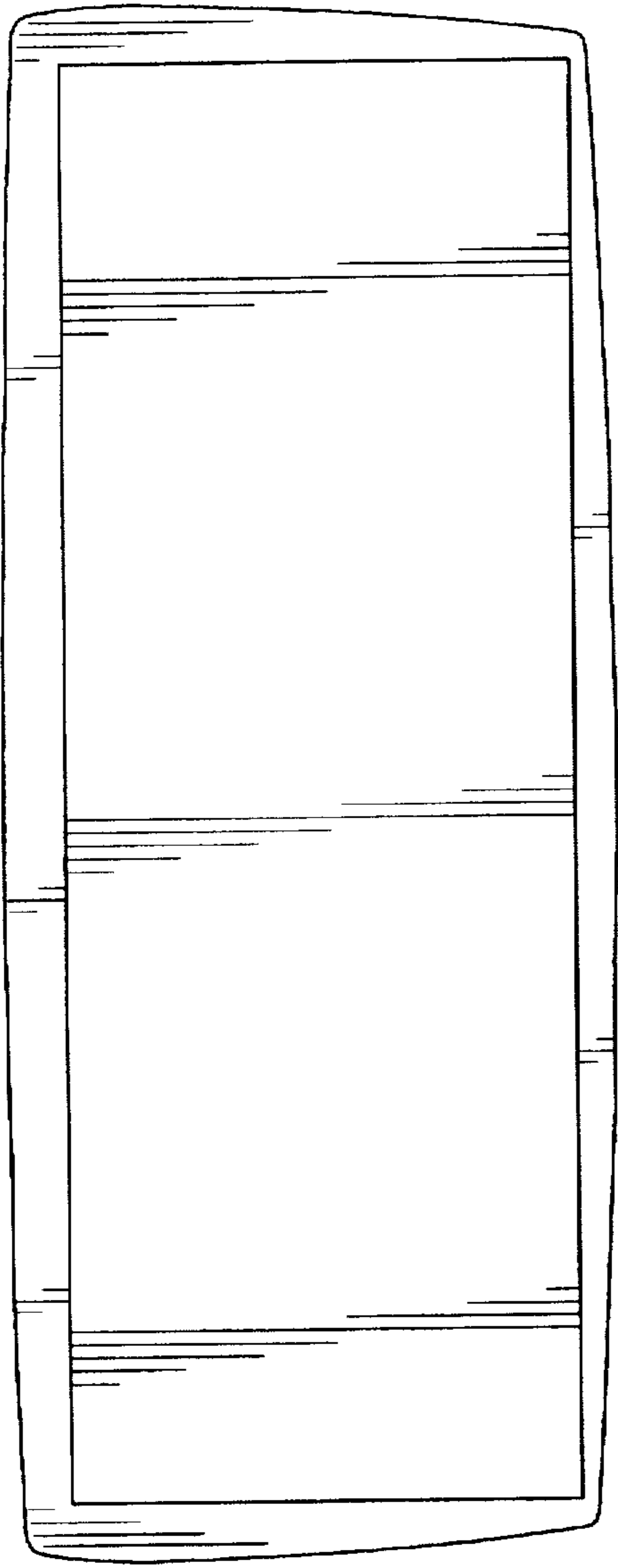


FIG. 2

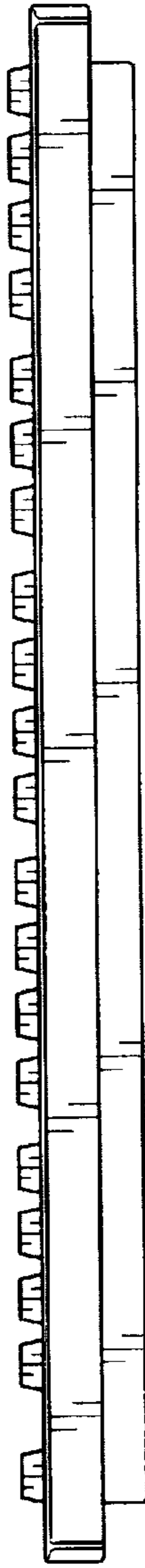


FIG. 3

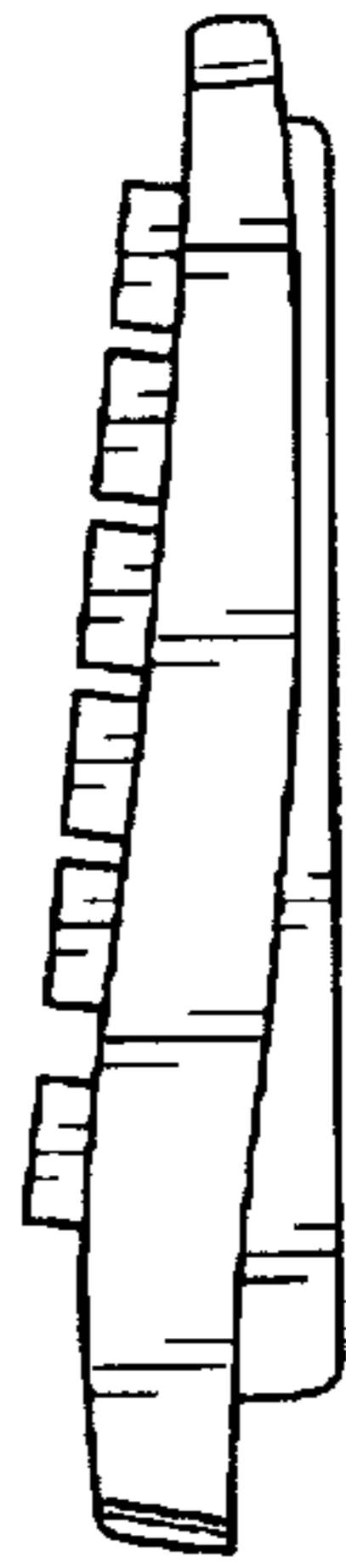


FIG. 4

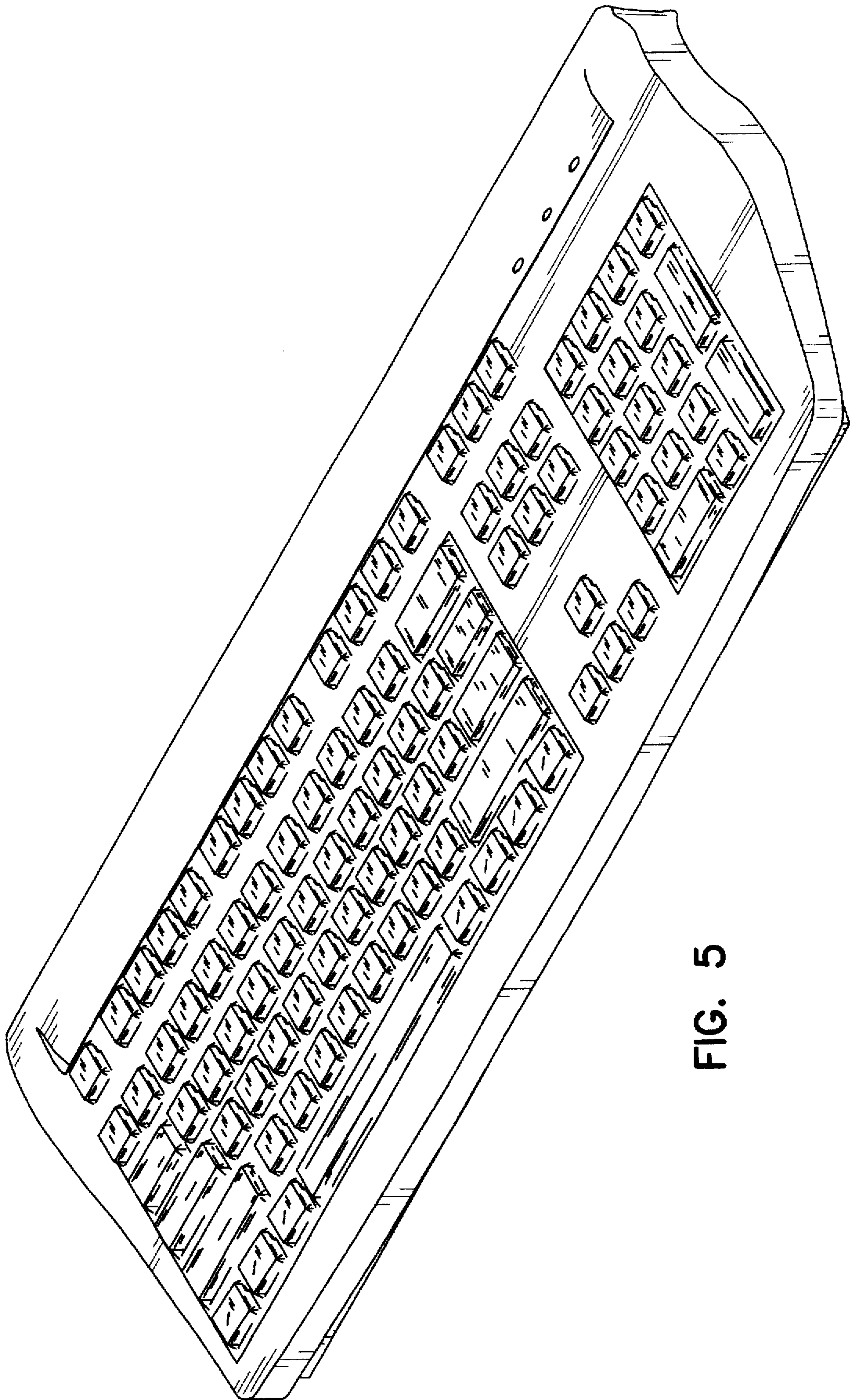


FIG. 5

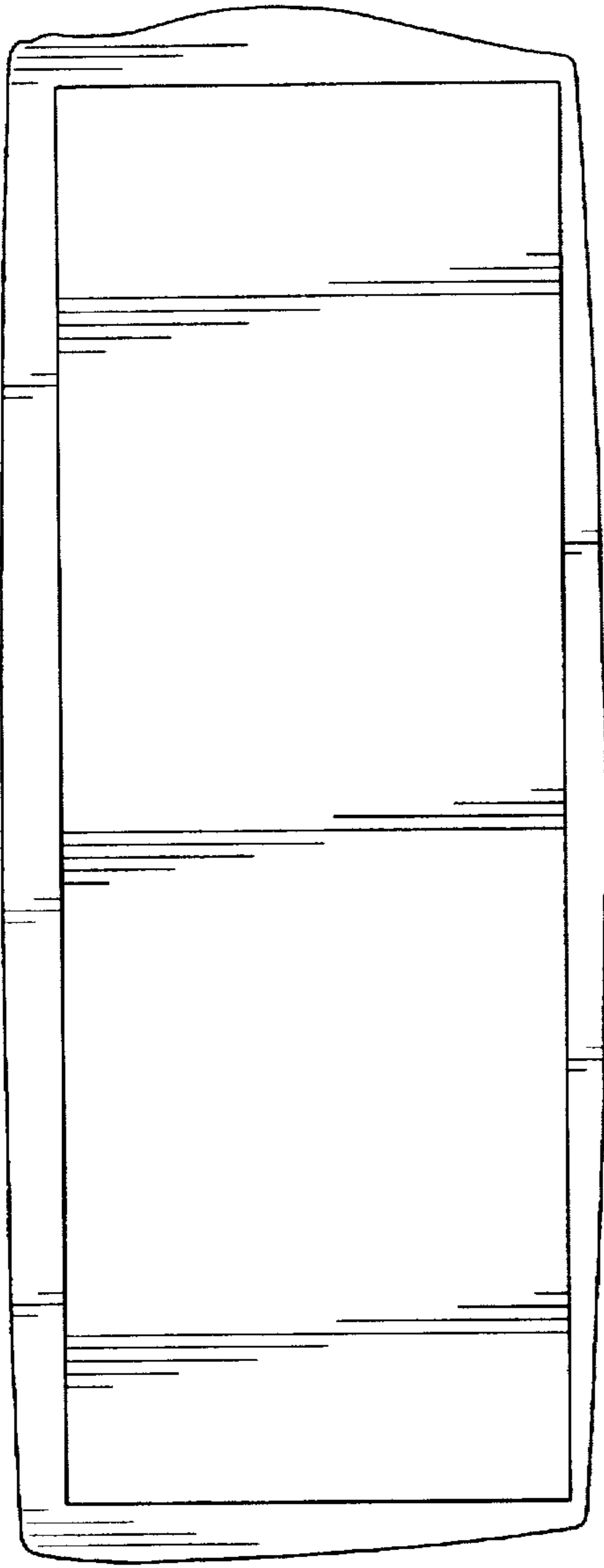


FIG. 6

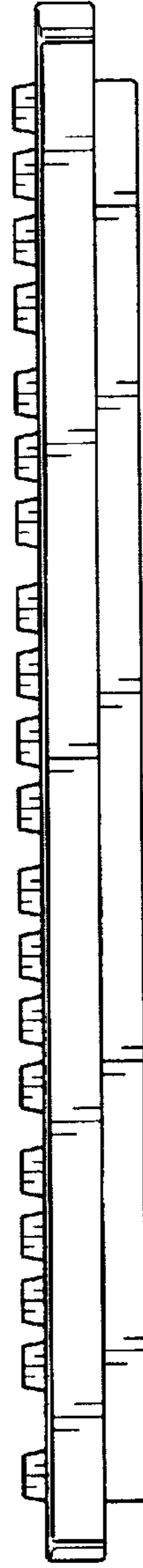


FIG. 7

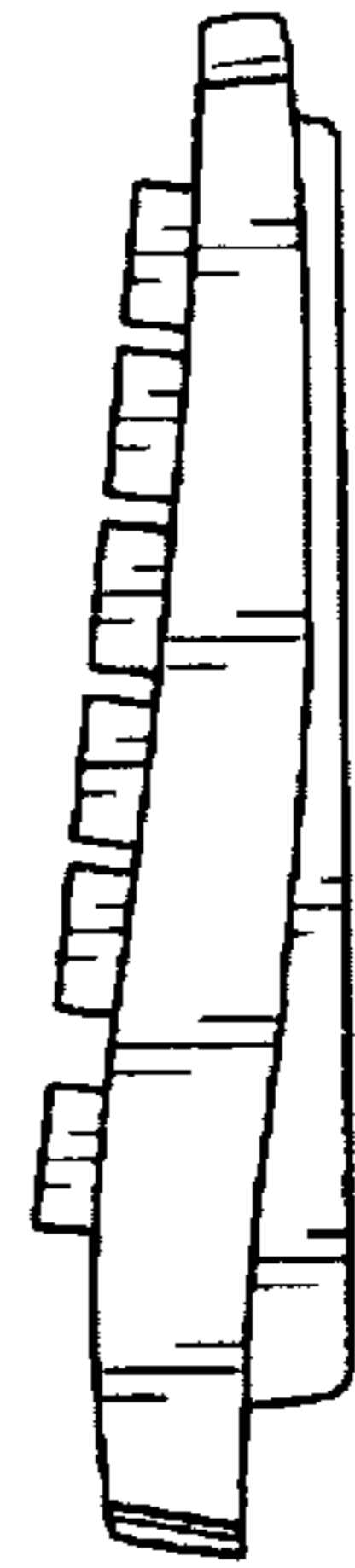


FIG. 8