

US00D390547S

**United States Patent** [19]  
**Chen**

[11] **Patent Number: Des. 390,547**  
[45] **Date of Patent: \*\*Feb. 10, 1998**

[54] **COMPUTER EYE SHIELD**  
[76] Inventor: **Fang-Hsiung Chen**, 6F-8, No. 327,  
Chung Hua Road, Yung Kang City,  
Tainan Hsien, Taiwan  
[\*\*] Term: **14 Years**  
[21] Appl. No.: **73,022**  
[22] Filed: **Jun. 27, 1997**  
[51] LOC (6) Cl. .... **14-02**  
[52] U.S. Cl. .... **D14/114**  
[58] **Field of Search** ..... D14/114; D18/12,  
D18/18, 56; 348/832-5; 359/599, 601-8,  
609-10, 614, 894

D. 360,199 7/1995 Shu-Ying ..... D14/114  
5,448,405 9/1995 Clausen et al. .... 359/601  
5,526,180 6/1996 Rausnitz ..... 359/609

*Primary Examiner*—M. H. Tung  
*Attorney, Agent, or Firm*—Morton J. Rosenberg; David I.  
Klein; Jun Y. Lee

[57] **CLAIM**

The ornamental design for a computer eye shield, as shown  
and described.

**DESCRIPTION**

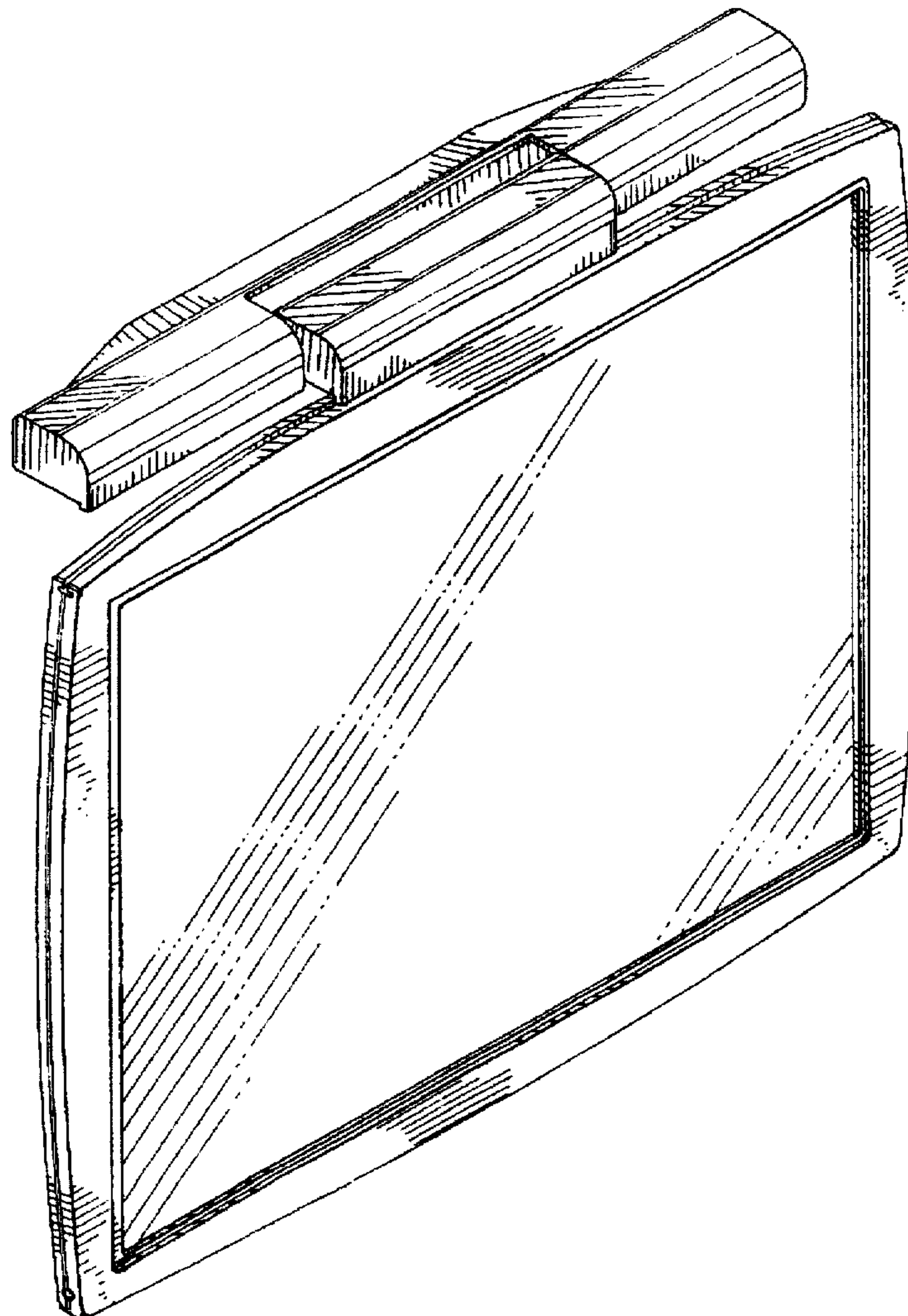
FIG. 1 is a perspective view of a computer eye shield  
showing my new design;  
FIG. 2 is a front elevational view thereof;  
FIG. 3 is a rear elevational view thereof;  
FIG. 4 is a left side elevational view thereof;  
FIG. 5 is a right side elevational view thereof;  
FIG. 6 is a top plan view thereof; and,  
FIG. 7 is a bottom plan view thereof.

[56] **References Cited**

**U.S. PATENT DOCUMENTS**

D. 311,739 10/1990 De Lucchi ..... D14/114  
D. 342,063 12/1993 Howitt et al. .... D14/114  
D. 357,470 4/1995 Bergdoll et al. .... D14/114

**1 Claim, 3 Drawing Sheets**



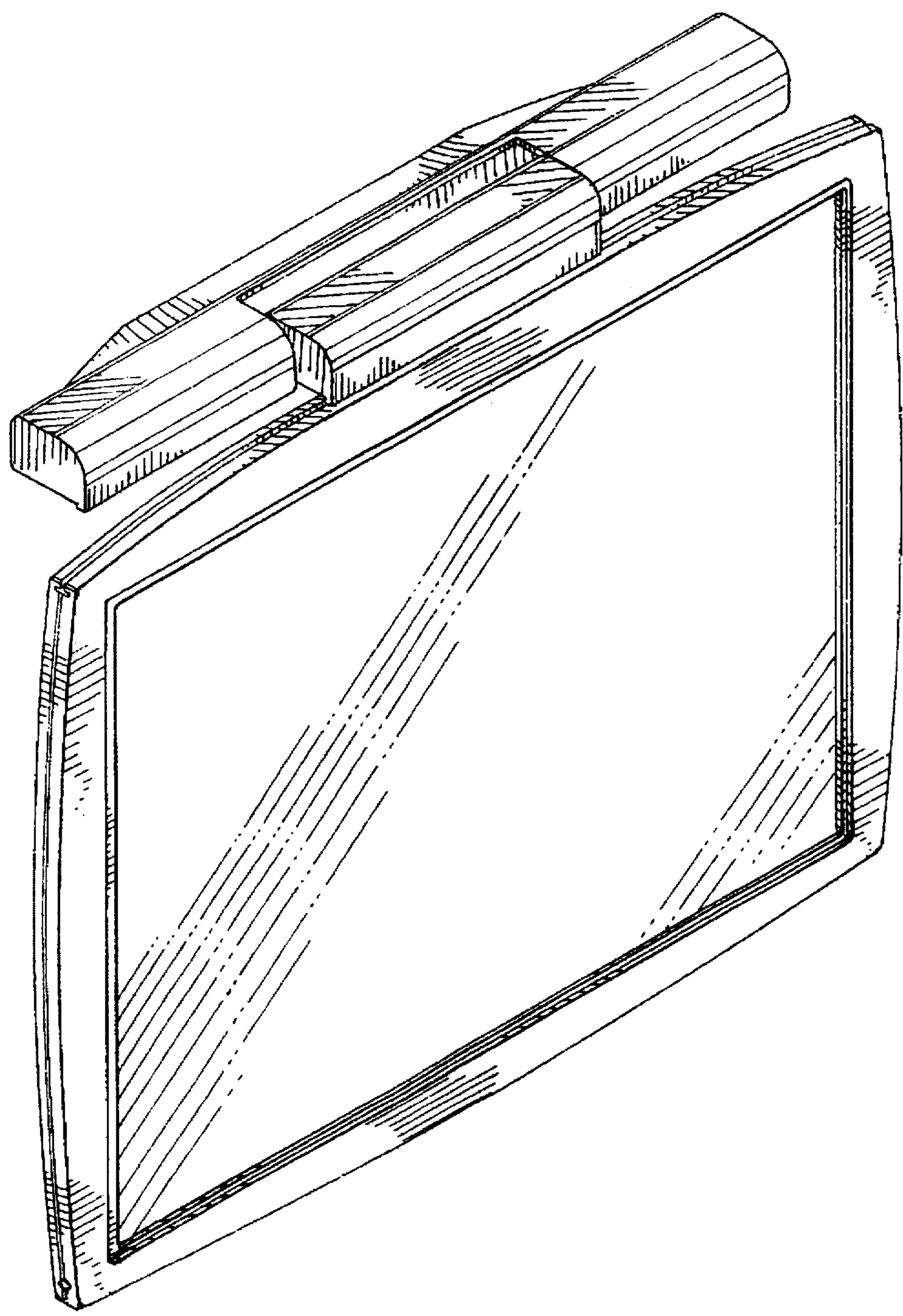


FIG. 1

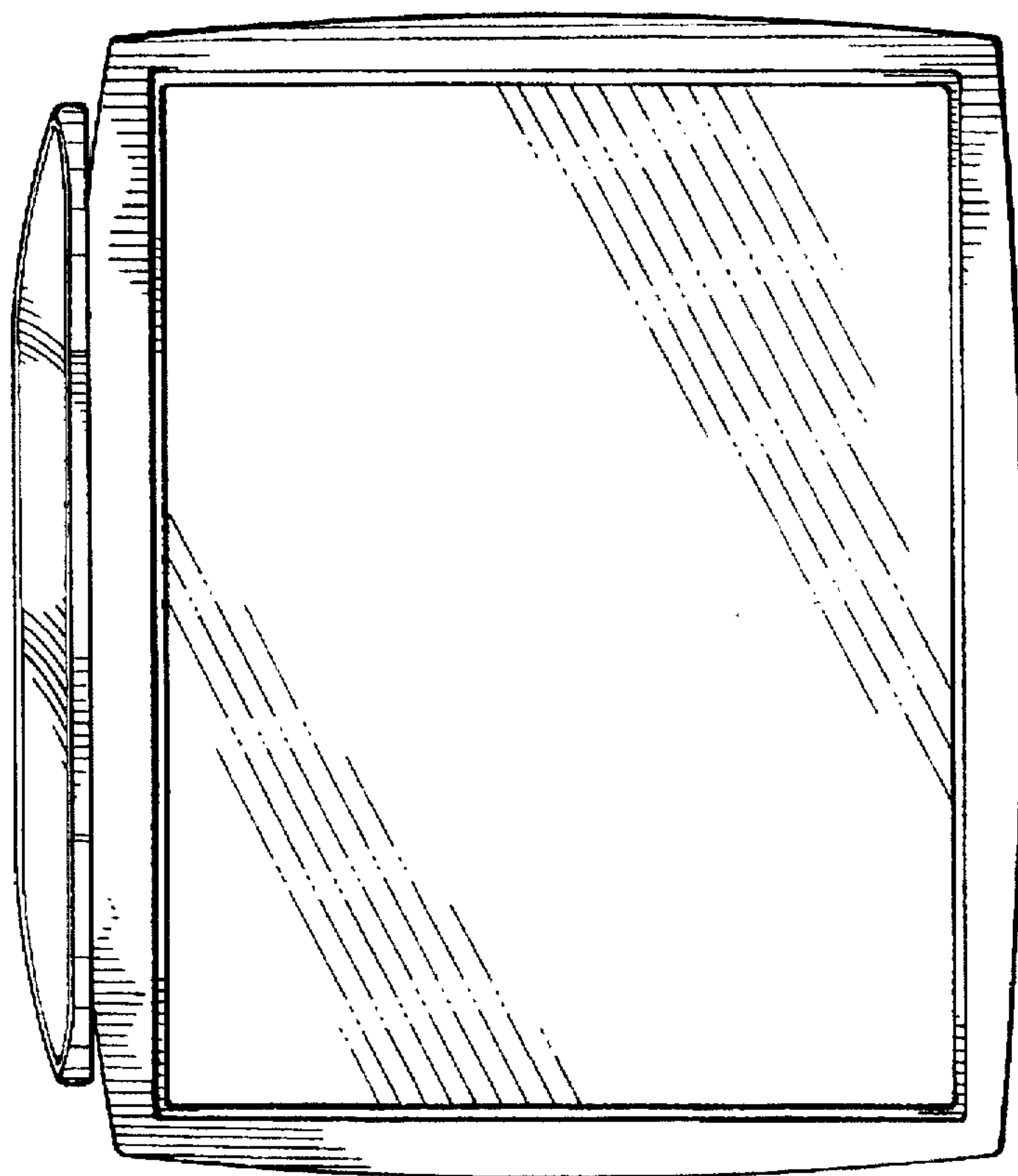


FIG. 2

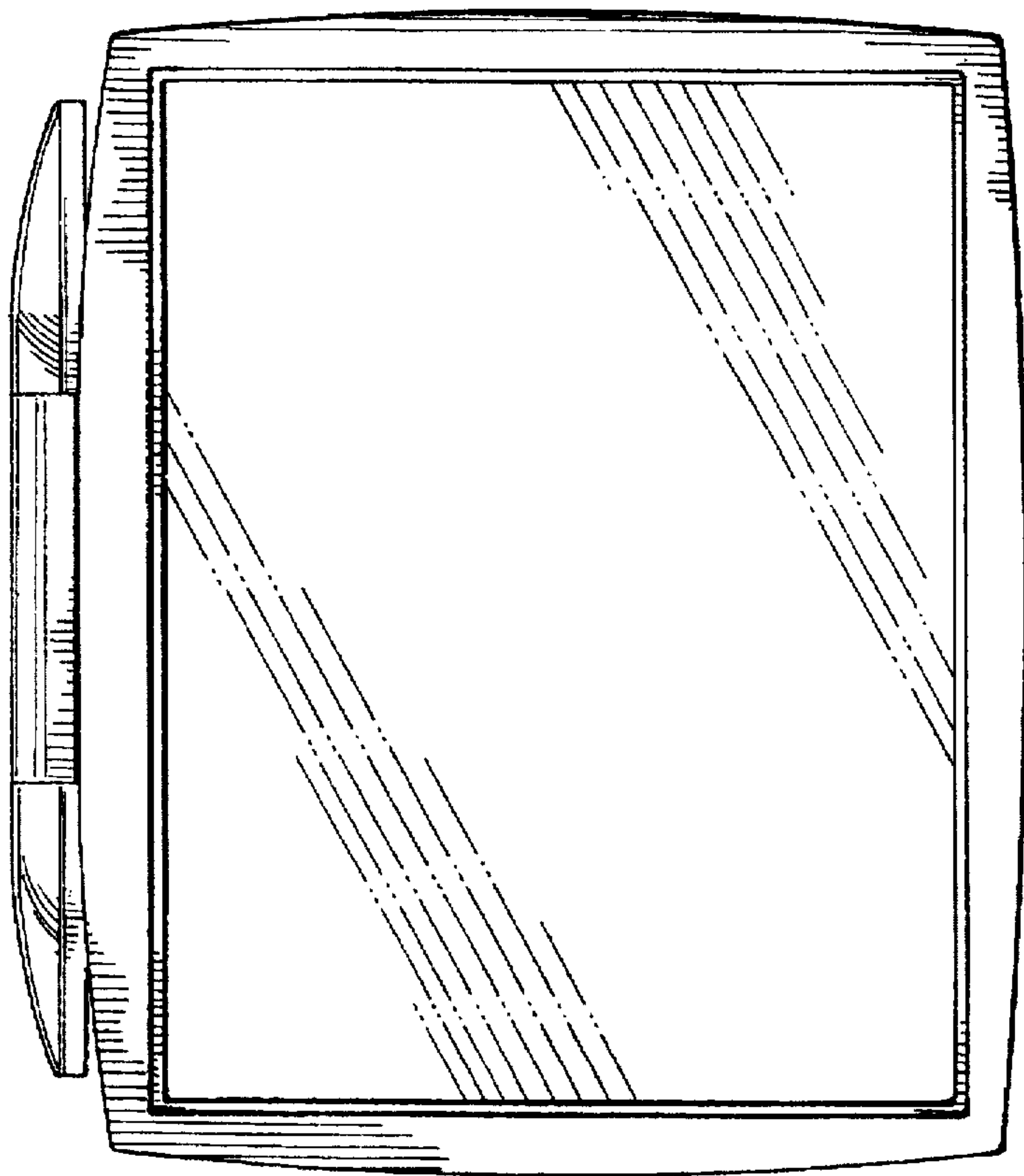


FIG. 3



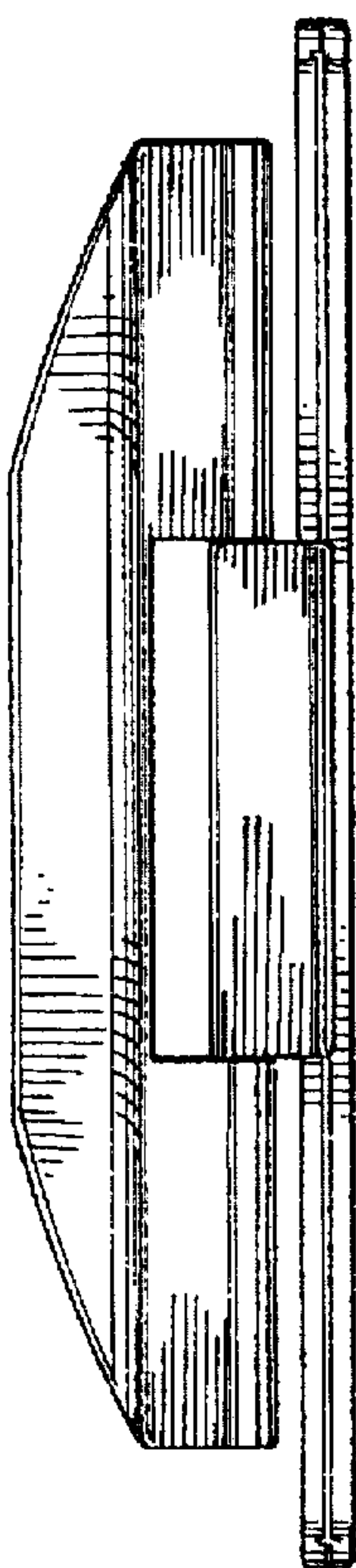


FIG. 6

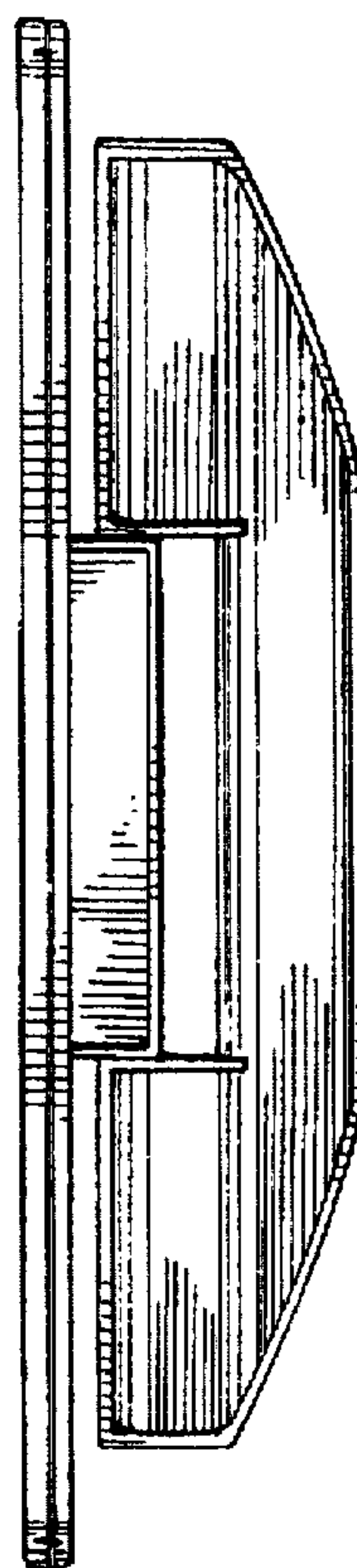


FIG. 7



FIG. 5

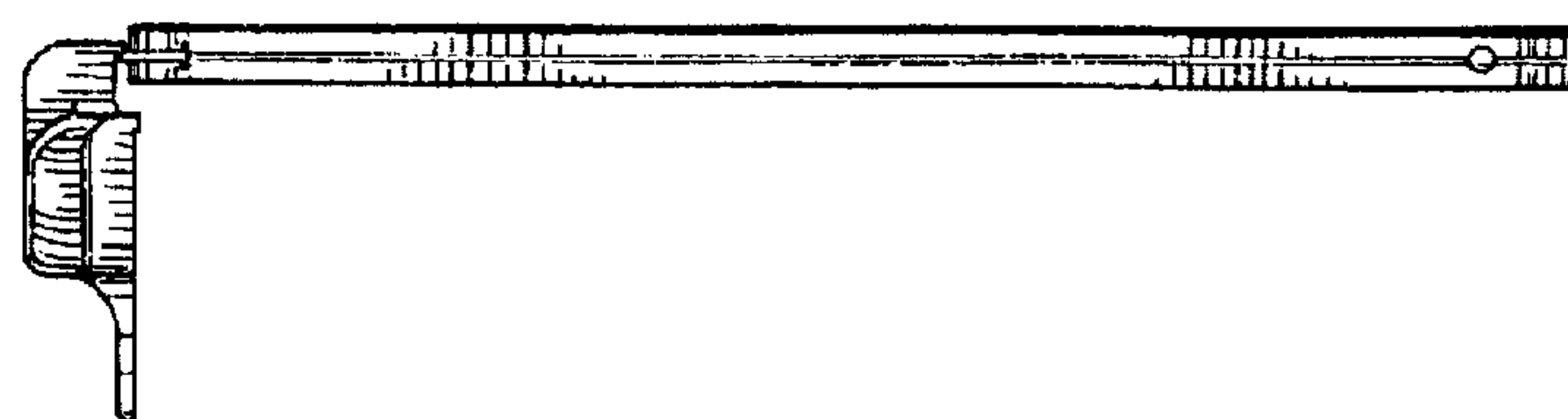


FIG. 4