

US00D390546S

United States Patent [19] Calfee

[11] Patent Number: **Des. 390,546**
[45] Date of Patent: ****Feb. 10, 1998**

[54] **VIDEO DISPLAY PEDESTAL**
[75] Inventor: **Clifford T. Calfee, Richardson, Tex.**
[73] Assignee: **Vu RYTE, Inc., Tyler, Tex.**
[**] Term: **14 Years**
[21] Appl. No.: **53,039**
[22] Filed: **Apr. 12, 1996**

4,544,122 10/1985 Bumgardner 248/346
4,577,187 3/1986 Barr et al. 340/700
4,640,485 2/1987 Day et al. 248/920 X
4,681,378 7/1987 Hellman, III 312/108
4,875,179 10/1989 Gelman 364/708
4,893,775 1/1990 Long 248/442.2
5,104,086 4/1992 Ramey et al. 248/442.2
5,160,104 11/1992 Sher 248/176
5,250,851 10/1993 McKnight et al. 307/38
5,263,668 11/1993 Rieter 248/346
5,397,081 3/1995 Landry et al. 248/346

Related U.S. Application Data

[60] Division of Ser. No. 32,207, Dec. 14, 1994, Pat. No. Des. 376,787, which is a continuation-in-part of Ser. No. 873,035, Apr. 22, 1992, Pat. No. Des. 375,298.
[51] LOC (6) Cl. **14-02**
[52] U.S. Cl. **D14/114**
[58] Field of Search D14/100, 114;
248/121, 127, 176.1, 188.1, 188.2, 346.01,
346.02, 917-24; 361/679-86; D6/396, 449,
445, 491, 495, 512; D13/184, 199

OTHER PUBLICATIONS

Catalog, "Majesty", p. 1, published by Osaka Cable Co., Ltd. and accepted by the Japanese Patent Office Library on Oct. 15, 1983.

Primary Examiner—M. H. Tung
Attorney, Agent, or Firm—Dennis T. Griggs

[56] References Cited

U.S. PATENT DOCUMENTS

D. 263,724 4/1982 Laughlin D19/92
D. 283,323 4/1986 Cervero D14/114
D. 289,864 5/1987 Pecoff D6/495 X
D. 291,204 8/1987 Hampshire et al. D14/114
D. 296,852 7/1988 Buchweitz, Jr. et al. D6/449
D. 299,465 1/1989 Helstab D14/114
D. 303,959 10/1989 Suyama et al. D14/114
D. 334,921 4/1993 Basara et al. D14/114
D. 338,576 8/1993 Livi D6/495 X
2,660,117 1/1953 Maunder 101/407
4,104,086 8/1978 Ramey, III et al. 248/442.2
4,410,159 10/1983 McVicker et al. 248/349
4,415,136 11/1983 Knoll 248/181
4,542,872 9/1985 Marino et al. 248/183

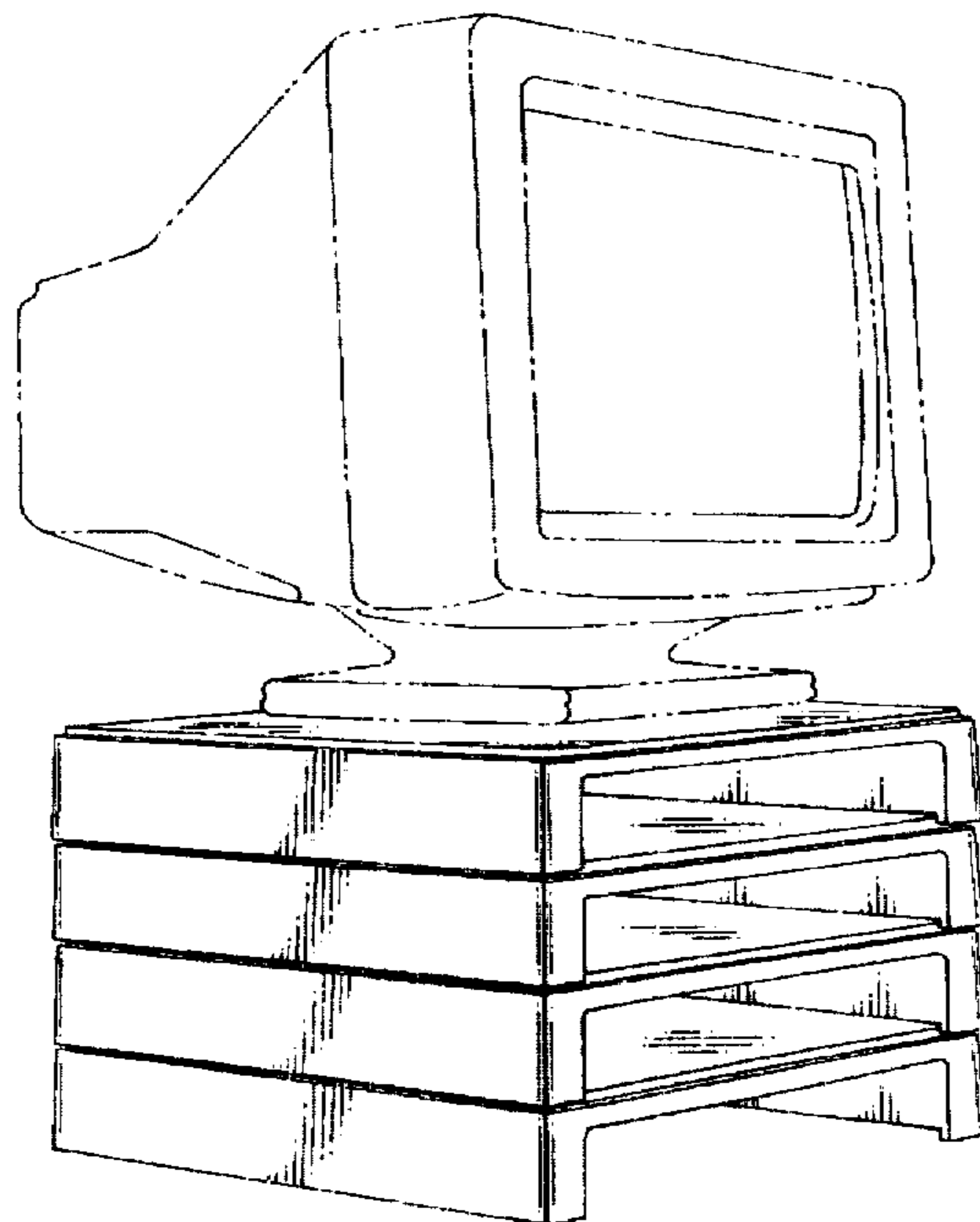
[57] CLAIM

The ornamental design for a video display pedestal, as shown and described.

DESCRIPTION

FIG. 1 is a perspective view of a video display pedestal showing my new design;
FIG. 2 is a front elevational view thereof;
FIG. 3 is a left side elevational view thereof, the right side elevational view and the rear elevational view being a mirror image thereof;
FIG. 4 is a top plan view thereof; and,
FIG. 5 is a front perspective view thereof, on a reduced scale, the broken line drawing of a video display unit being shown for illustrative purposes only and forms no part of the claimed design.
The underside of the video display pedestal is not ornamented.

1 Claim, 2 Drawing Sheets



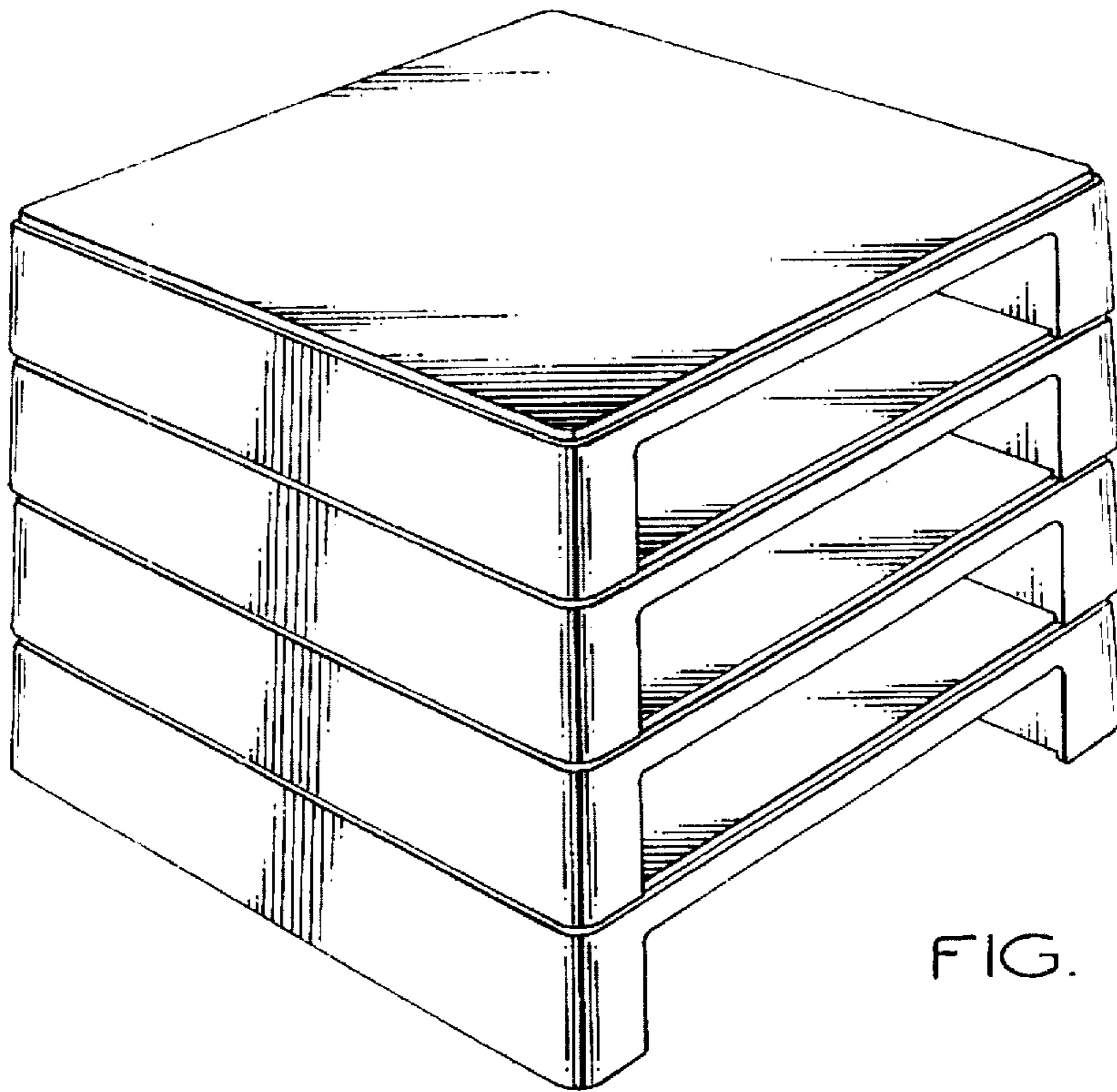


FIG. 1

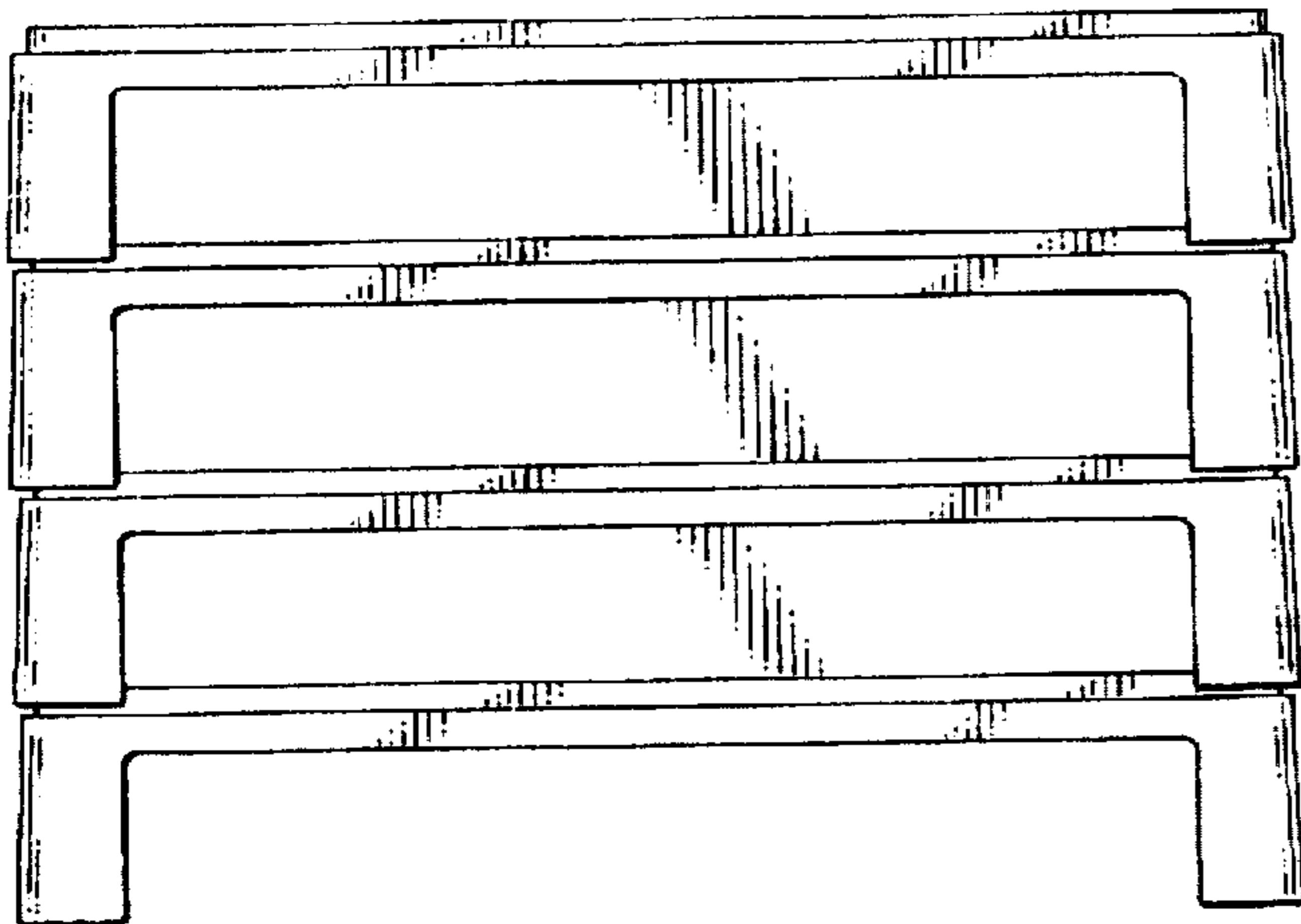


FIG. 2

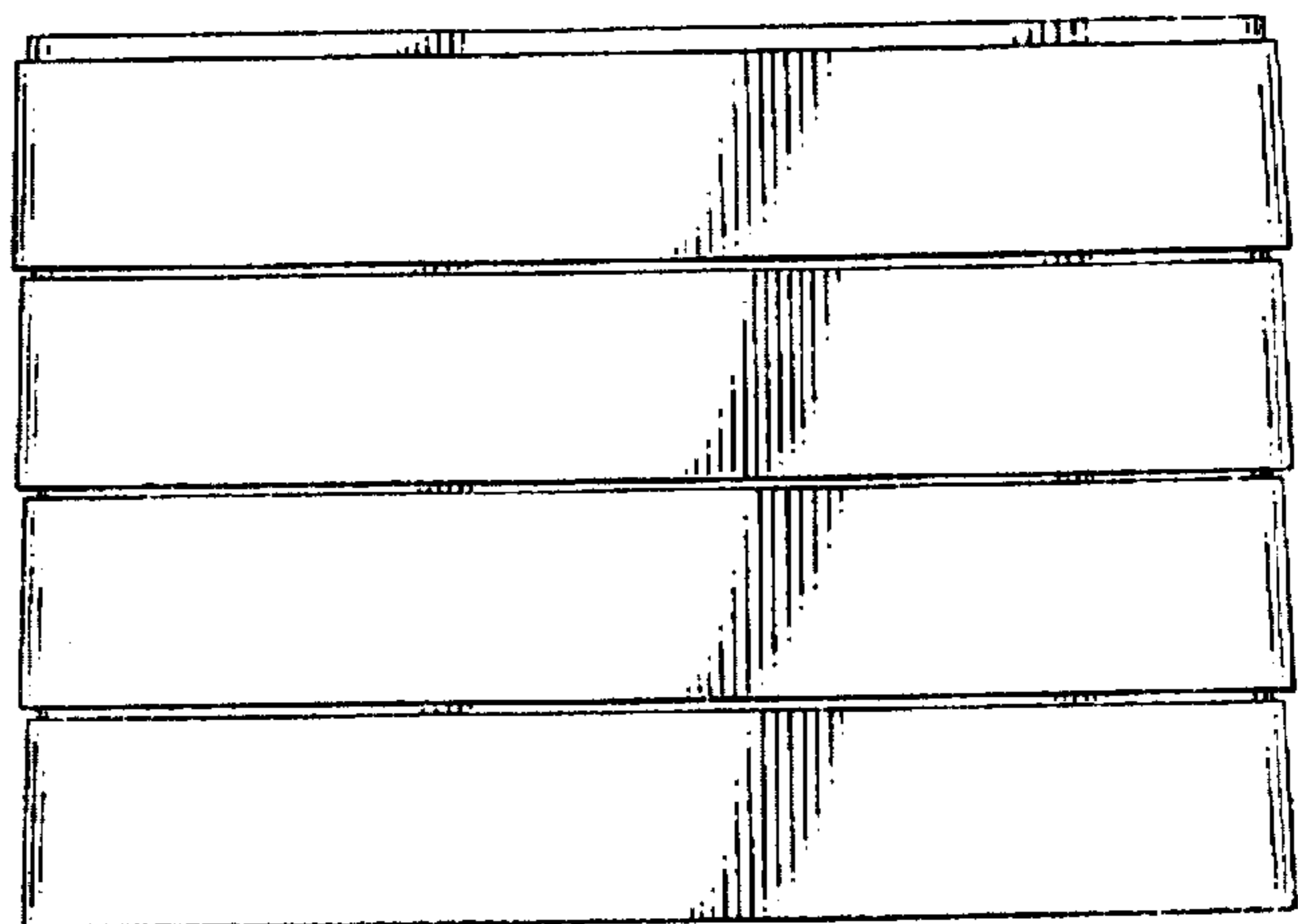


FIG. 3

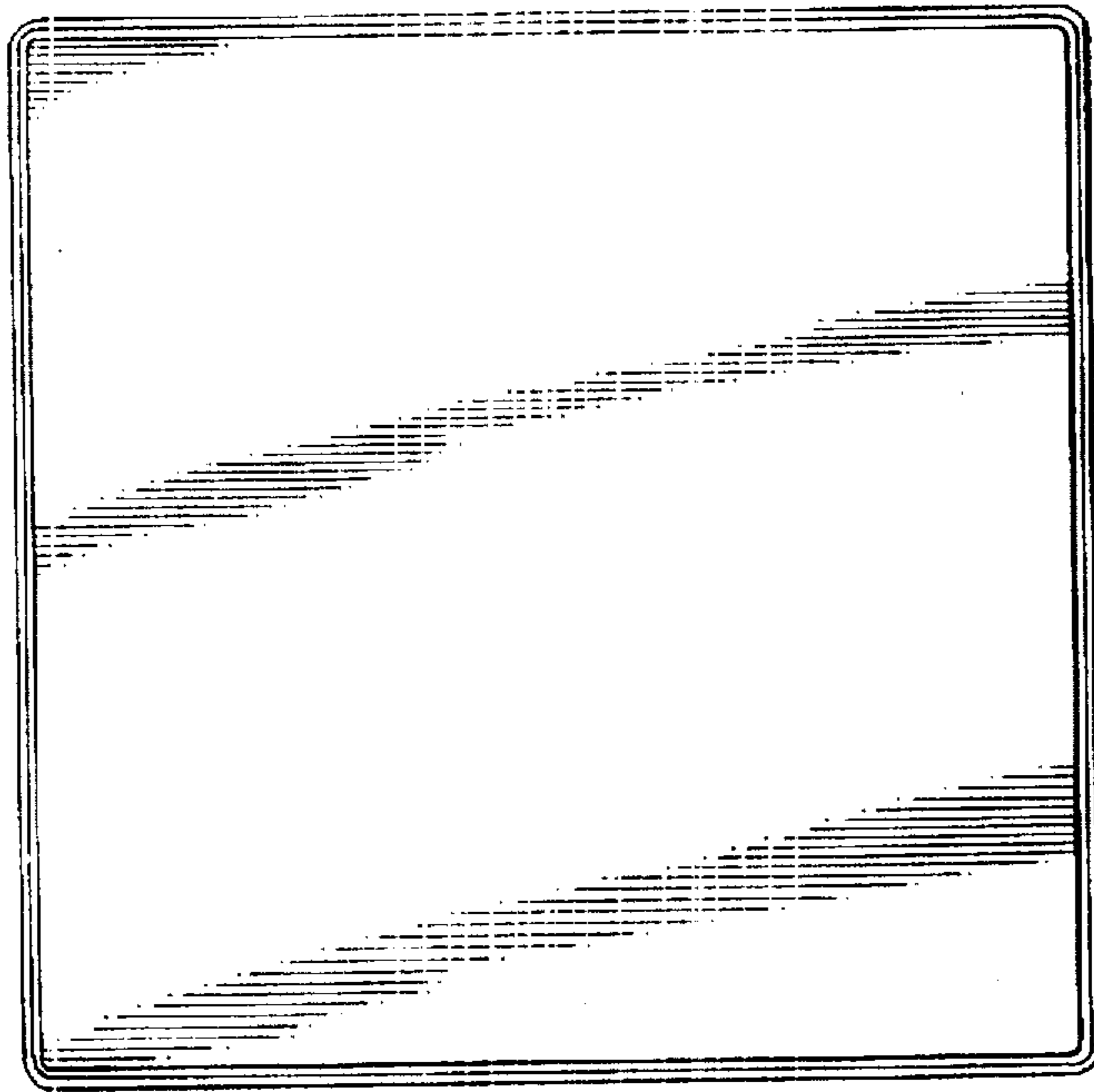


FIG. 4

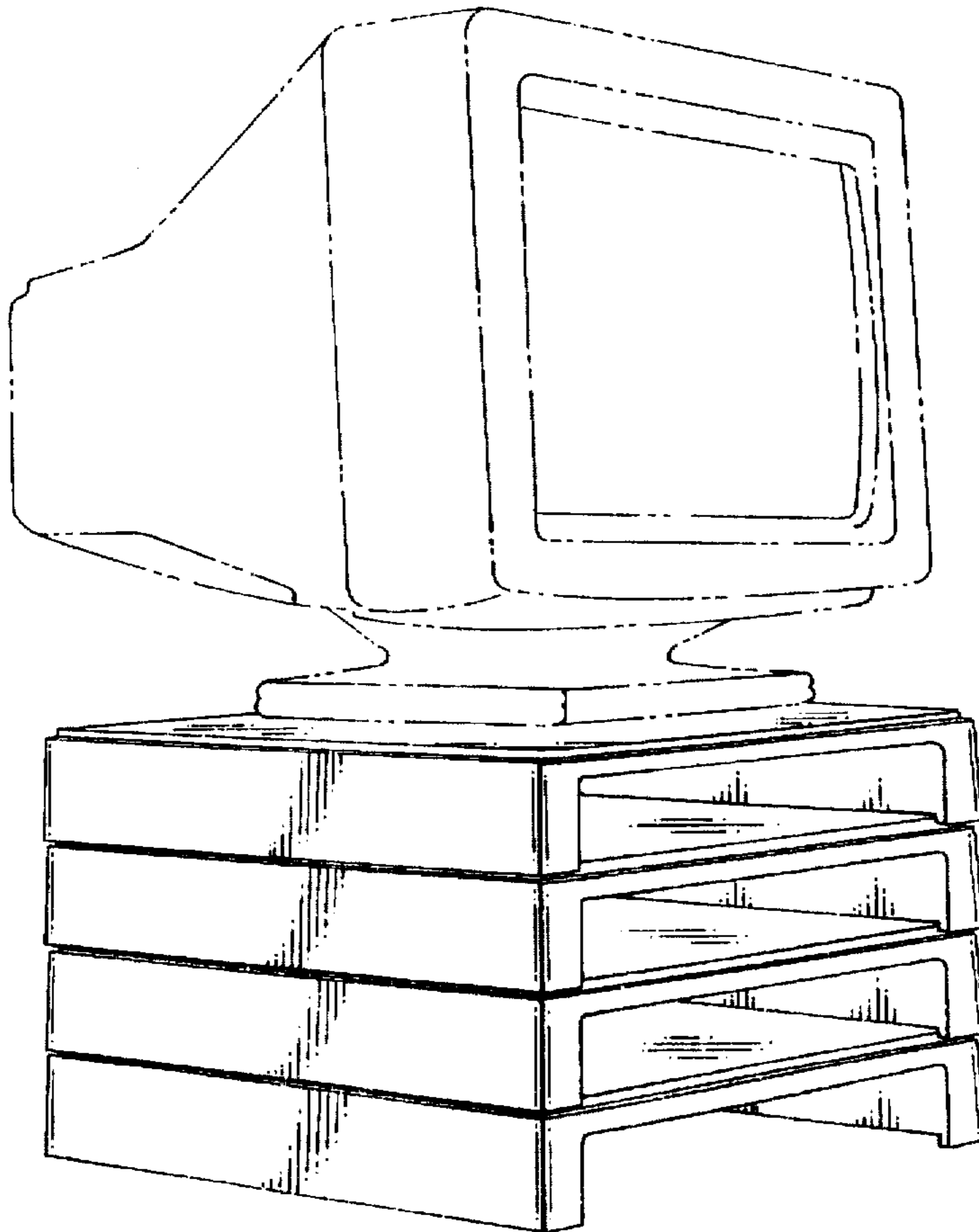


FIG. 5