



US00D390545S

**United States Patent** [19]  
**Chang**

[11] **Patent Number: Des. 390,545**  
[45] **Date of Patent: \*\*Feb. 10, 1998**

[54] **COMPUTER DISPLAY**

[75] **Inventor: Chih-Ching Chang, Taipei, Taiwan**

[73] **Assignee: Compal Electronics, Inc., Taipei, Taiwan**

[\*\*] **Term: 14 Years**

[21] **Appl. No.: 70,149**

[22] **Filed: May 1, 1997**

[30] **Foreign Application Priority Data**

Nov. 20, 1996 [CN] China ..... 96 3 25725.0

[51] **LOC (6) Cl. .... 14-02**

[52] **U.S. Cl. .... D14/113; D14/126**

[58] **Field of Search .... D14/100, 106, D14/113, 124-129; 248/917-924; 345/104, 133, 156, 168, 87, 173, 901-905; 348/180, 184, 325, 739**

[56] **References Cited**

**U.S. PATENT DOCUMENTS**

D. 368,899 4/1996 Kao ..... D14/113

D. 372,023 7/1996 Andre et al. .... D14/113  
D. 377,484 1/1997 Onuma et al. .... D14/113

*Primary Examiner—Freda Nunn*  
*Attorney, Agent, or Firm—Pro-Techtor International*

[57] **CLAIM**

The ornamental design for a computer display, as shown and described.

**DESCRIPTION**

FIG. 1 is a left side, front perspective view showing my new design for a computer display;

FIG. 2 is a front elevational view thereof;

FIG. 3 is a rear elevational view thereof;

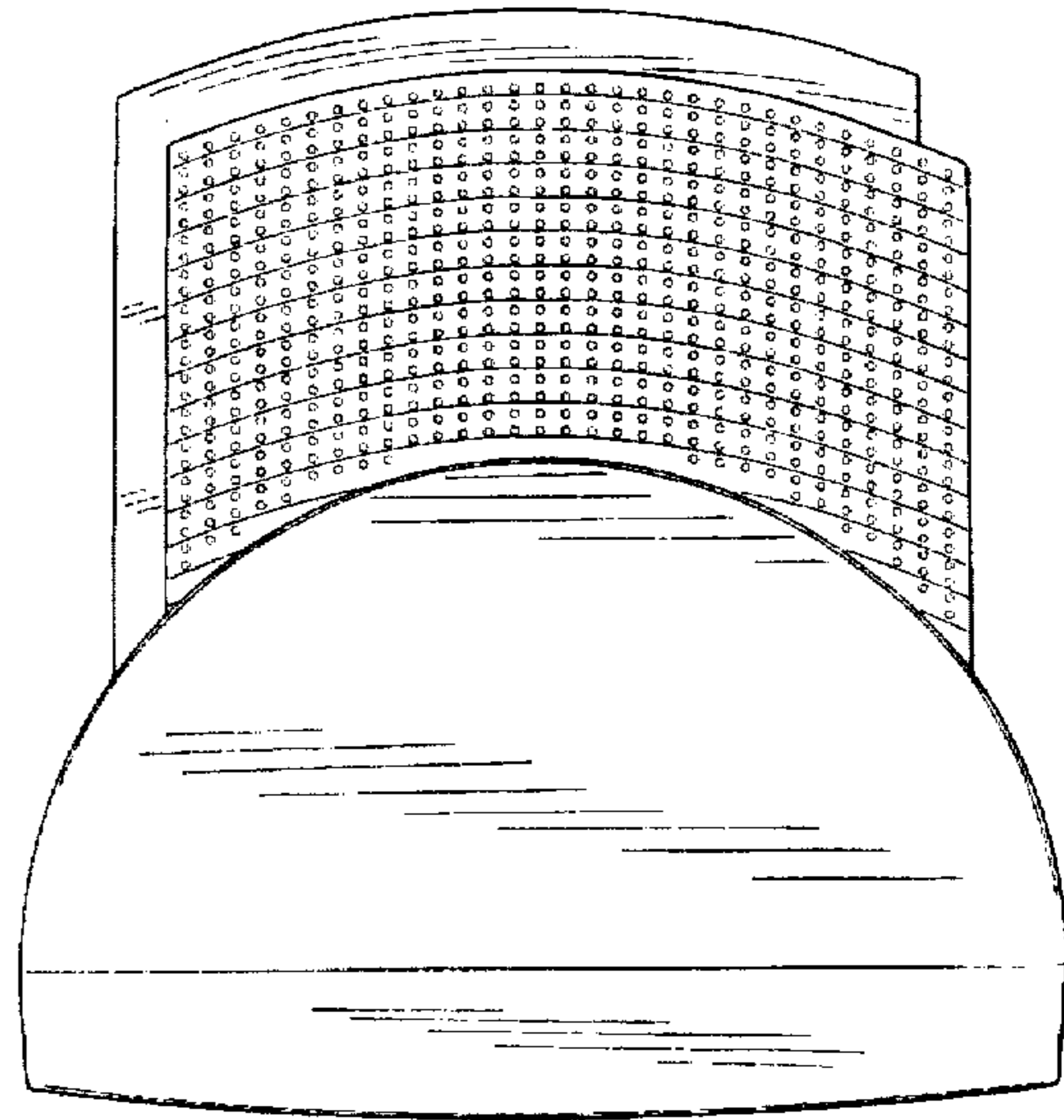
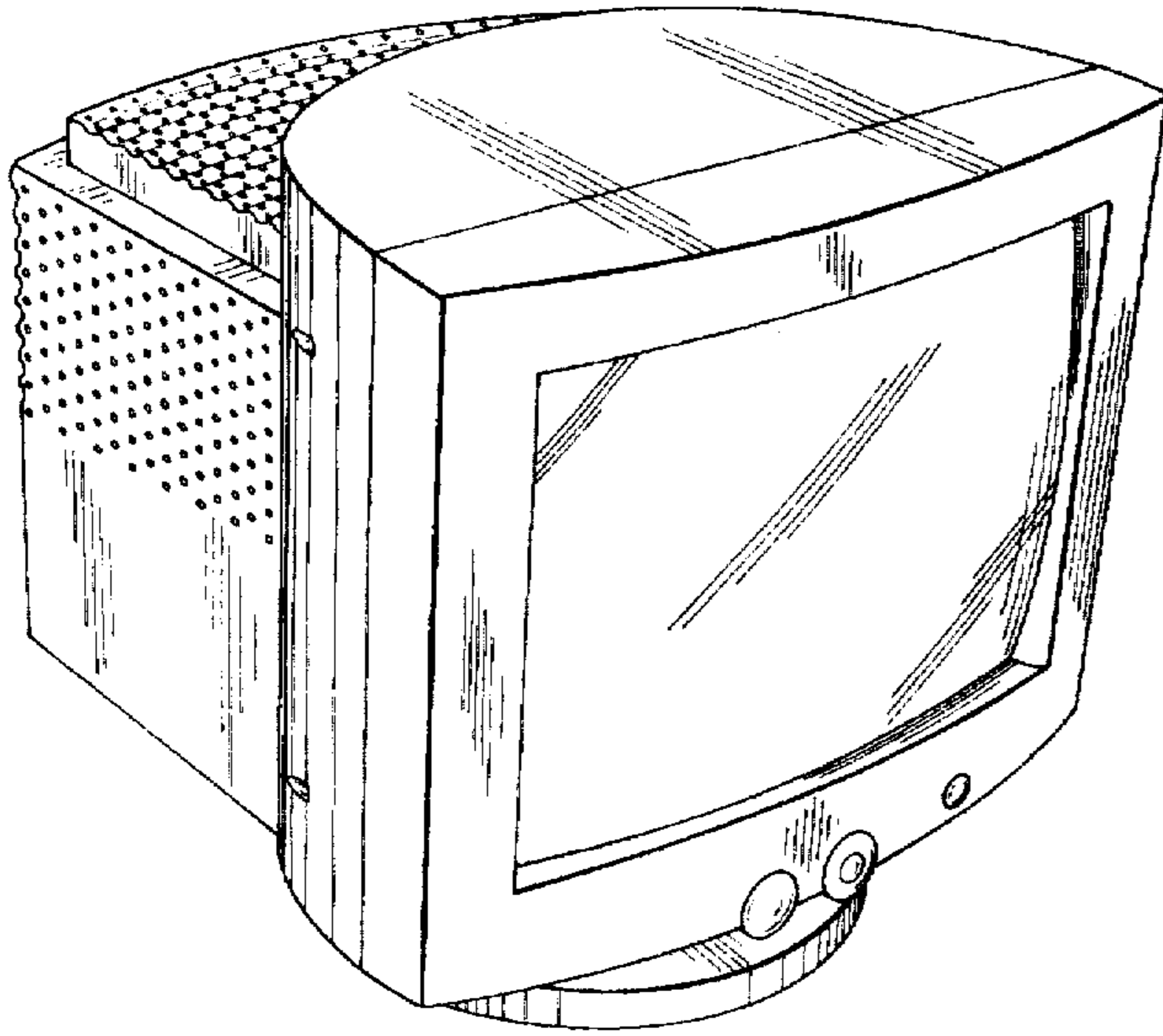
FIG. 4 is a left side elevational view thereof;

FIG. 5 is a right side elevational view thereof;

FIG. 6 is a top view thereof; and,

FIG. 7 is a bottom view thereof.

**1 Claim, 7 Drawing Sheets**



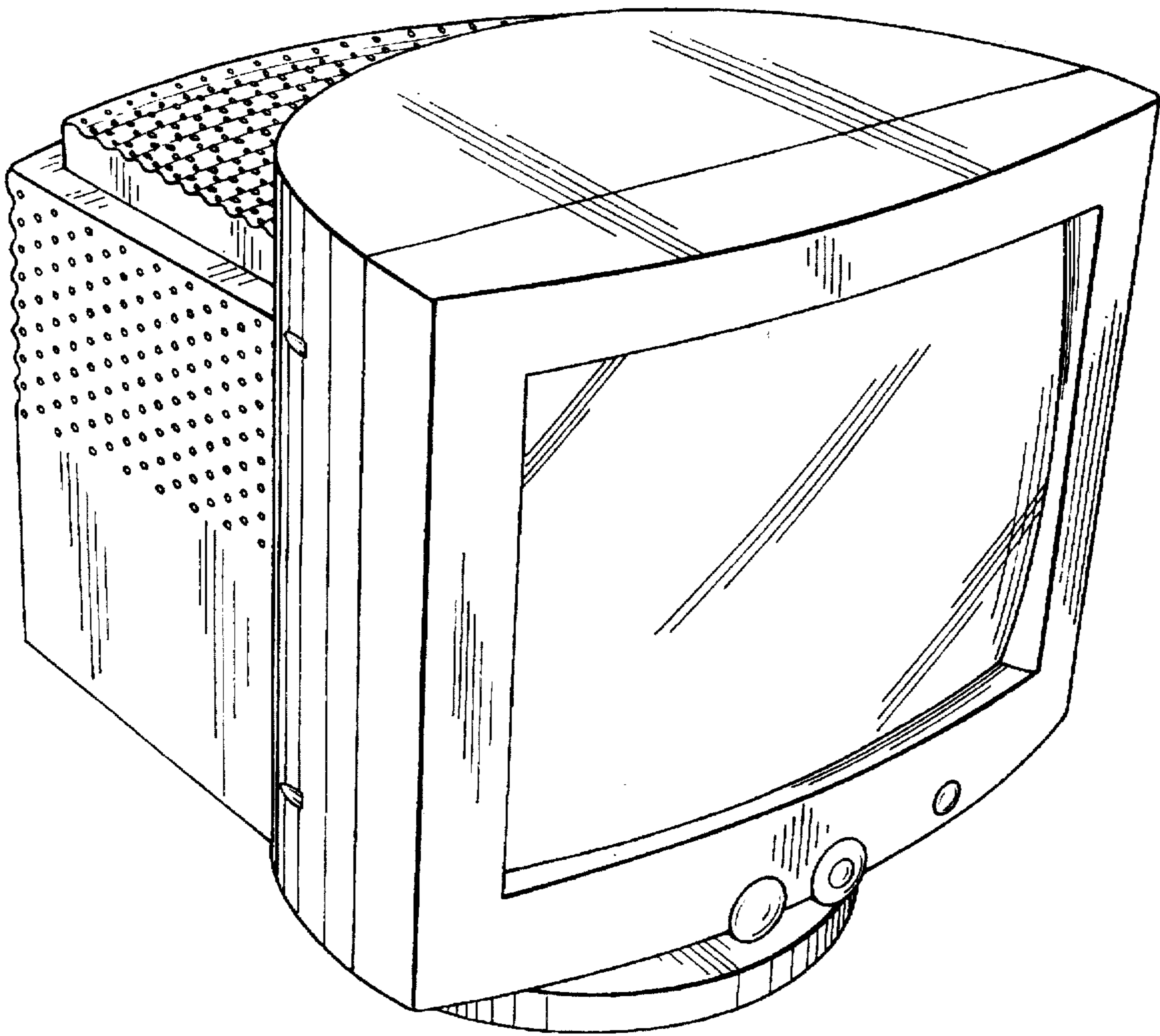


Fig. 1

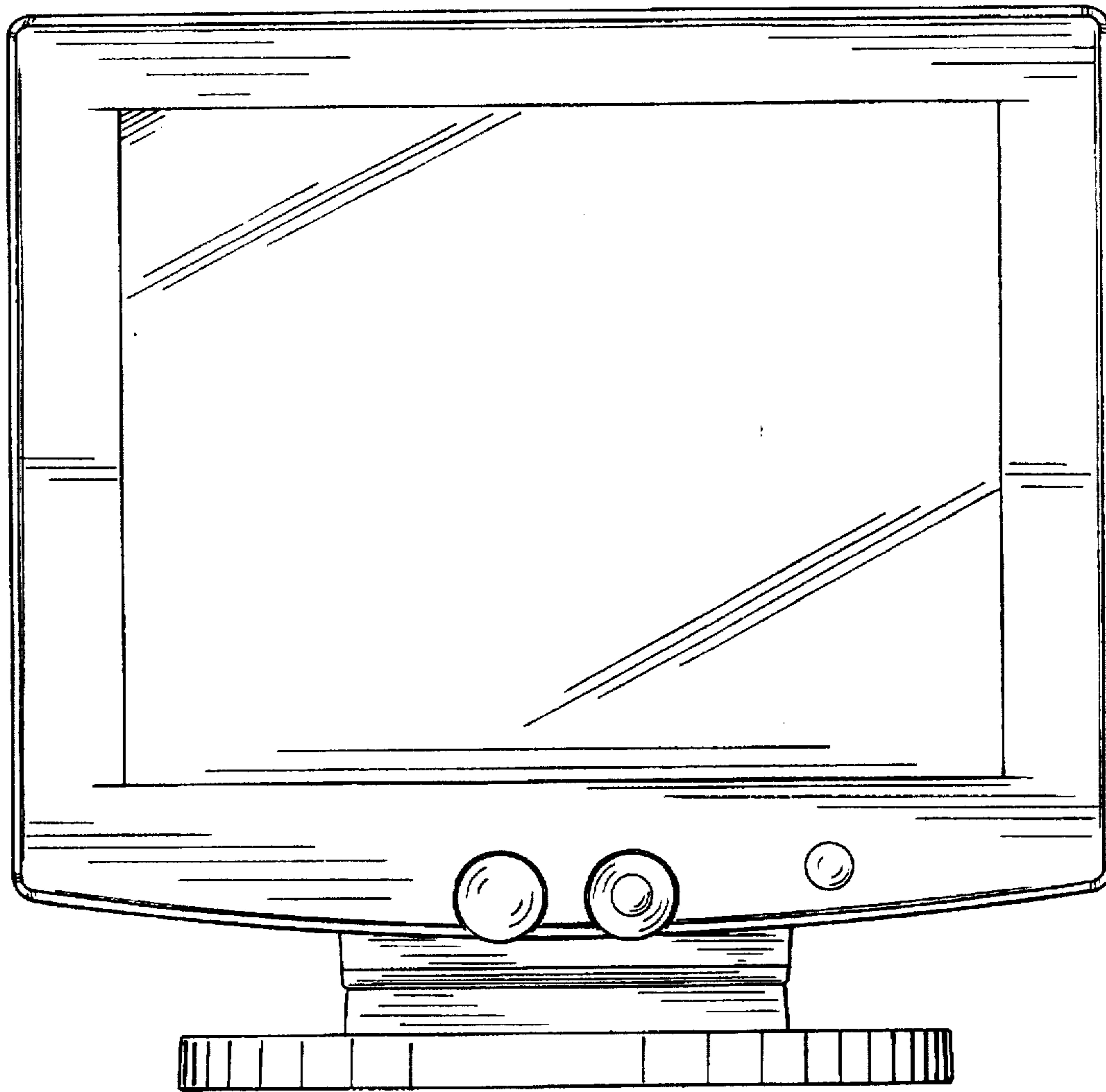


Fig. 2

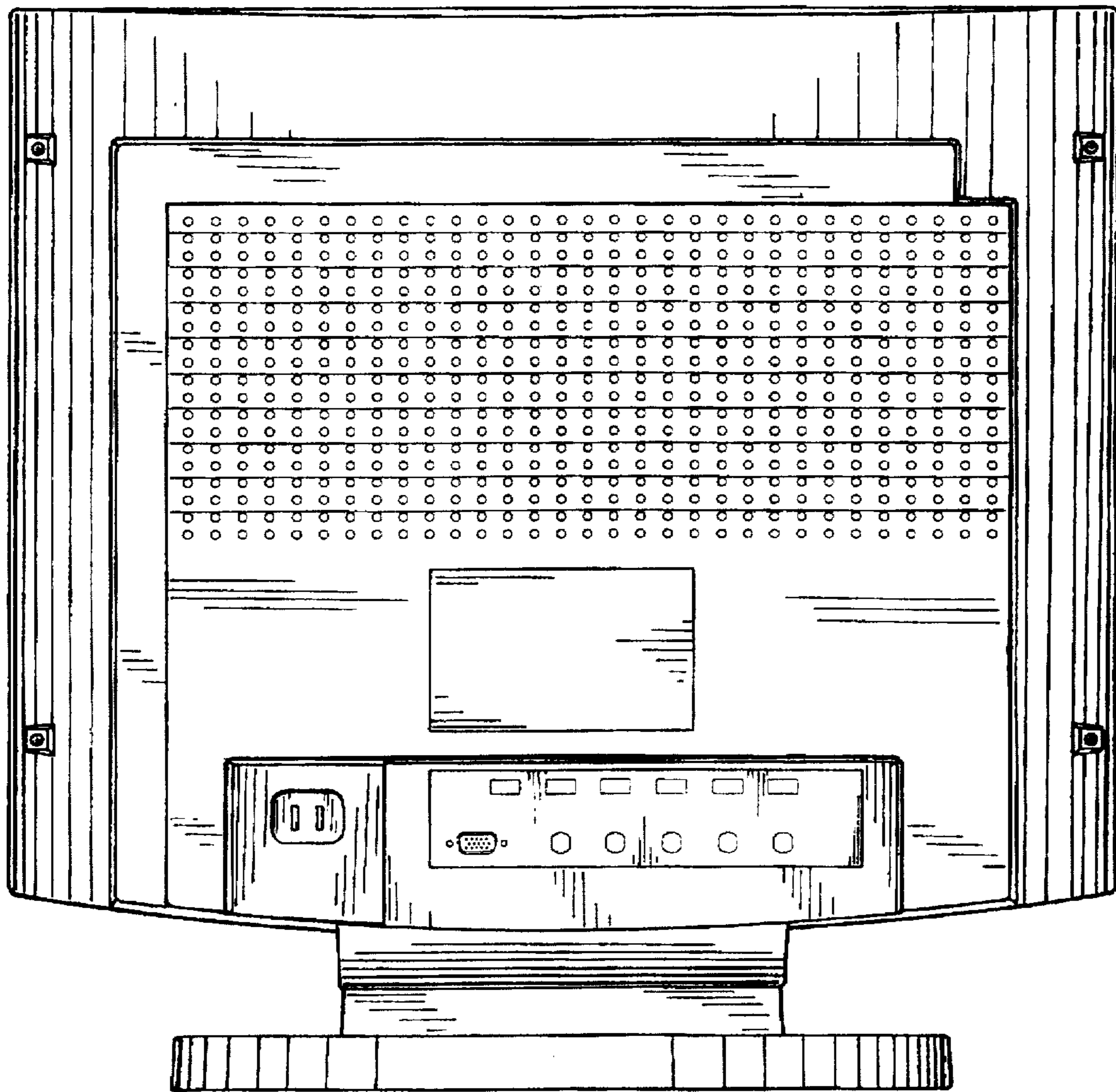


Fig. 3

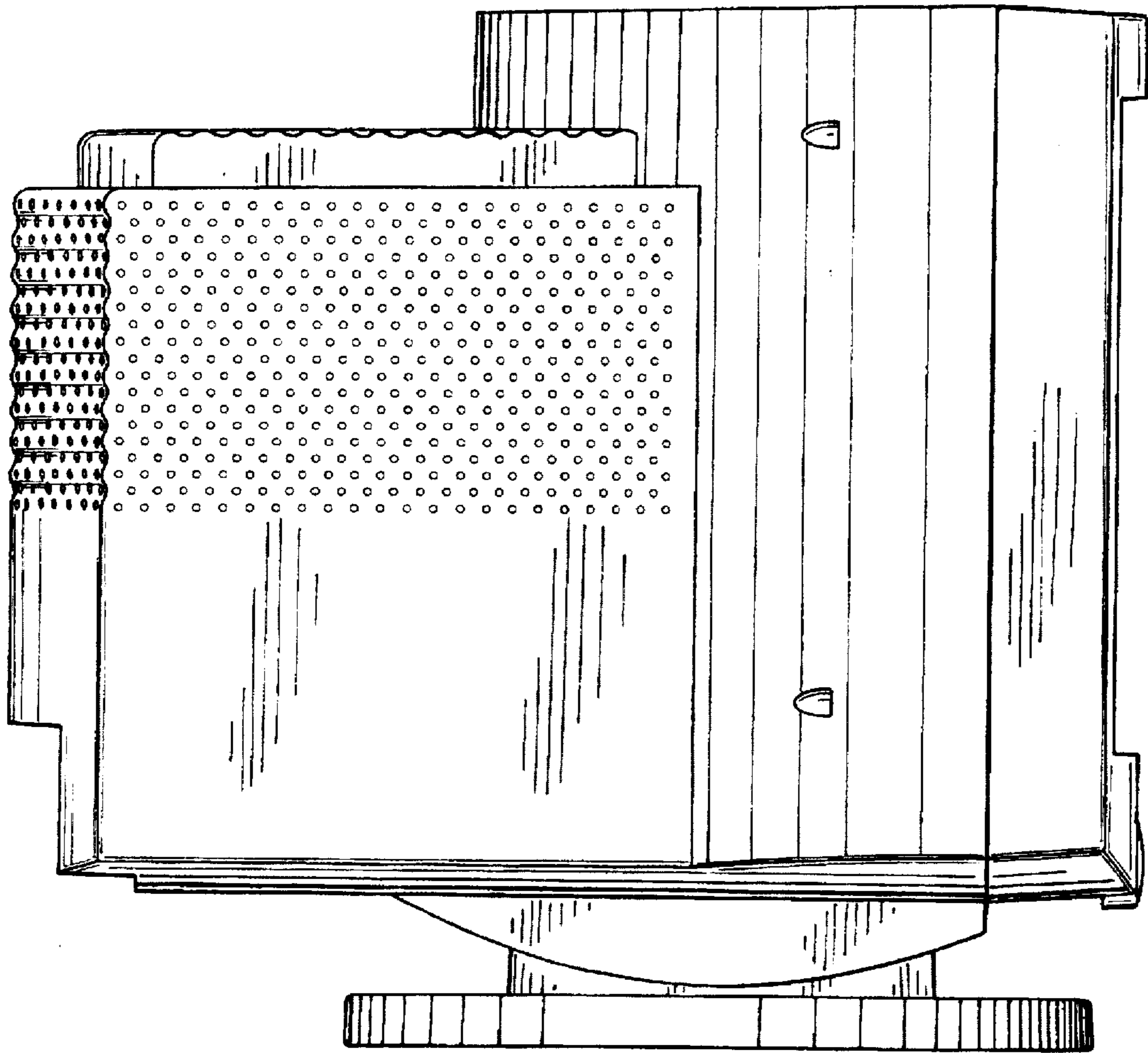


Fig. 4

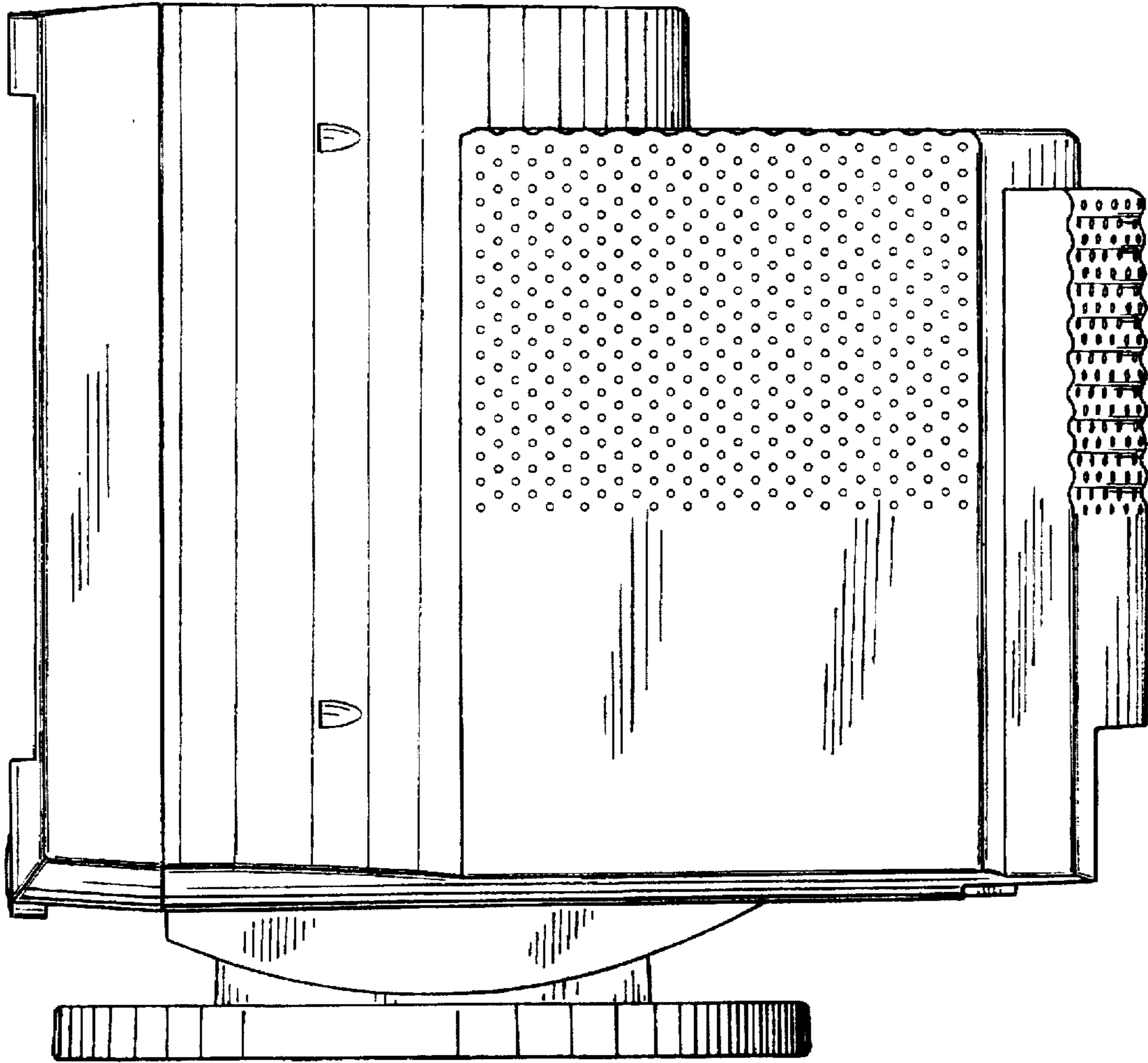


Fig. 5

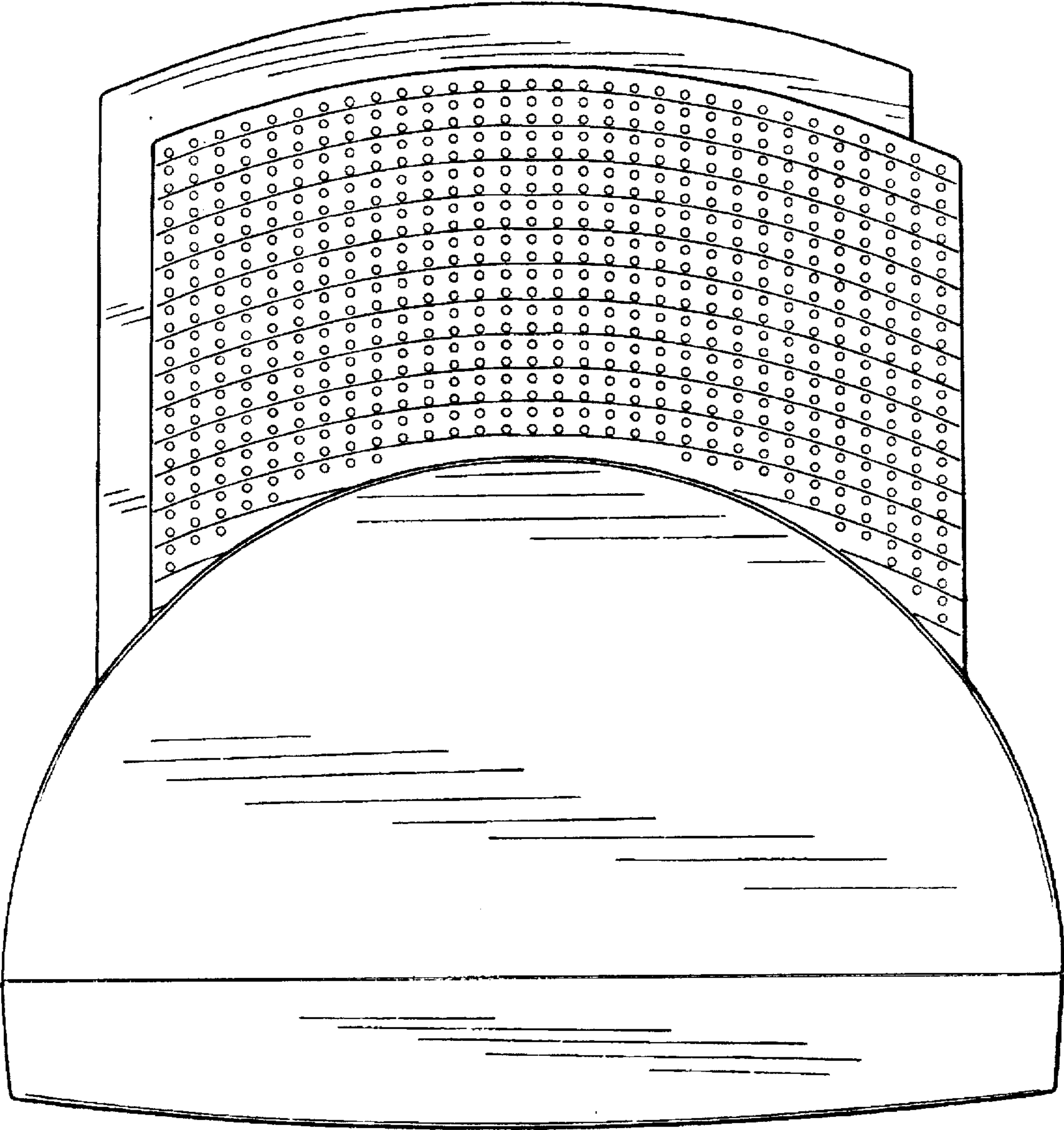


Fig. 6

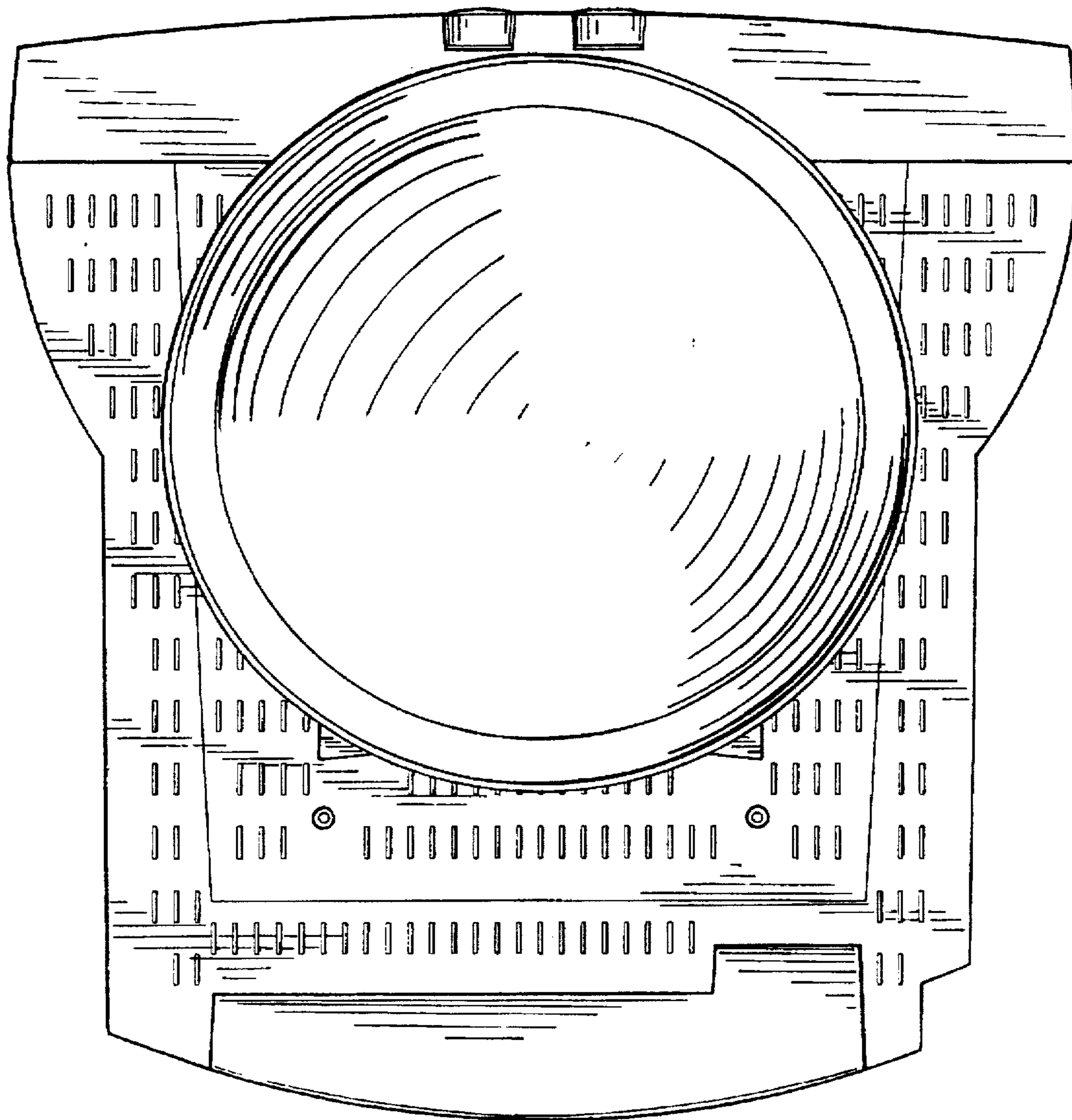


Fig. 7