

US00D390544S

United States Patent [19]
Kao

[11] **Patent Number: Des. 390,544**
[45] **Date of Patent: **Feb. 10, 1998**

[54] **MONITOR**

[75] **Inventor: Ming-Tsung Kao, Taipei, Taiwan**

[73] **Assignee: Chuntex Electronic Co., Ltd., Taipei, Taiwan**

[**] **Term: 14 Years**

[21] **Appl. No.: 64,565**

[22] **Filed: Jan. 6, 1997**

[51] **LOC (6) Cl. 14-02**

[52] **U.S. Cl. D14/113; D14/126**

[58] **Field of Search D14/100, 106, D14/113, 126-129; 345/104, 133, 156, 168, 173, 901-905; 248/917-924**

[56] **References Cited**

U.S. PATENT DOCUMENTS

D. 365,549 12/1995 Chae et al. D14/113

D. 368,899 4/1996 Kao D14/113
D. 371,552 7/1996 Akiyama et al. D14/126 X

Primary Examiner—Freda Nunn
Attorney, Agent, or Firm—Beveridge, DeGrandi, Weilacher & Young LLP

[57] **CLAIM**

The ornamental design for a monitor, as shown and described.

DESCRIPTION

FIG. 1 is a perspective view of a monitor showing my new design;

FIG. 2 is a front view thereof;

FIG. 3 is a rear view thereof;

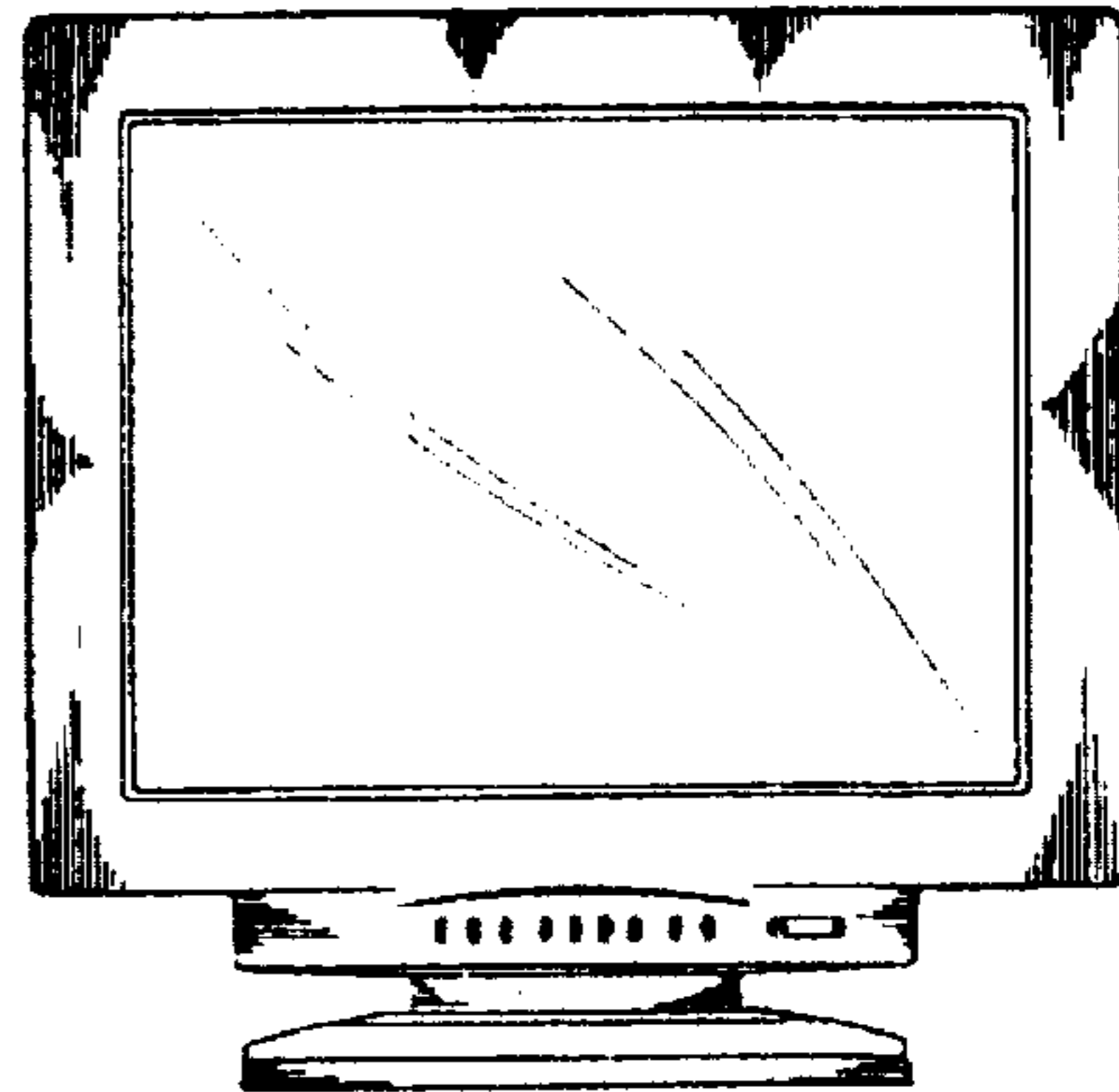
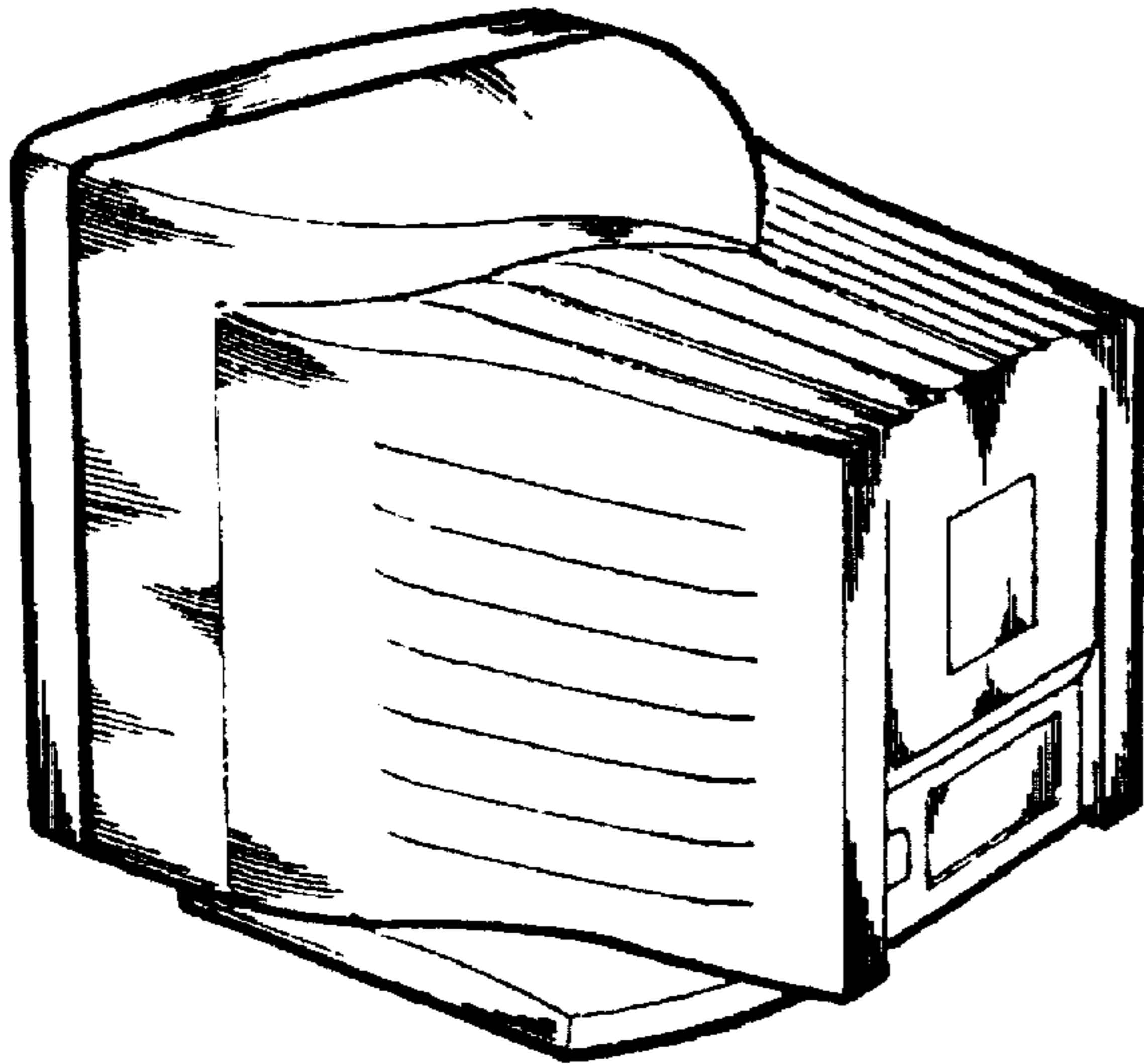
FIG. 4 is a right side view thereof;

FIG. 5 is a left side view thereof;

FIG. 6 is a bottom view thereof; and,

FIG. 7 is a top view thereof.

1 Claim, 7 Drawing Sheets



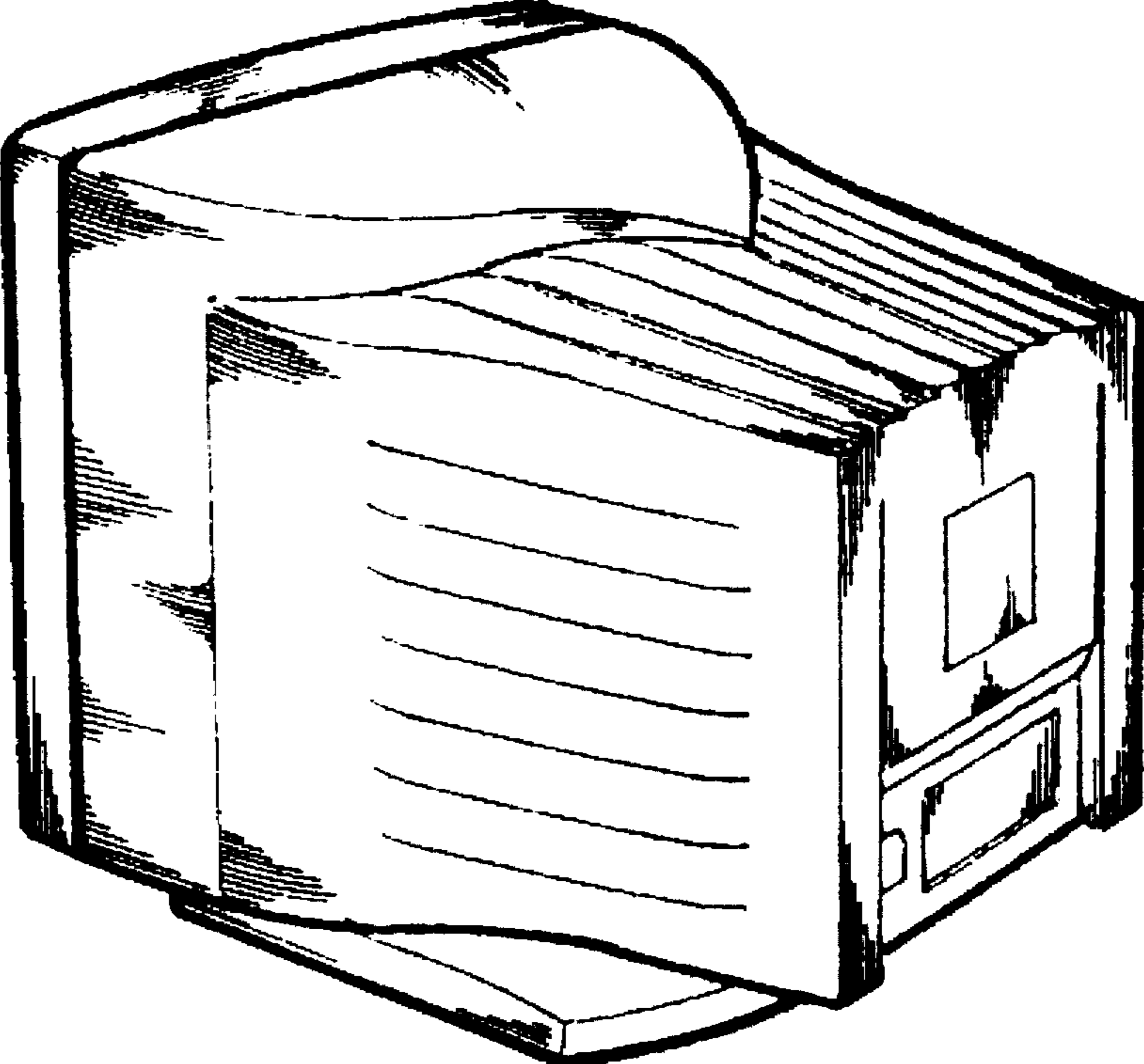


FIG. 1

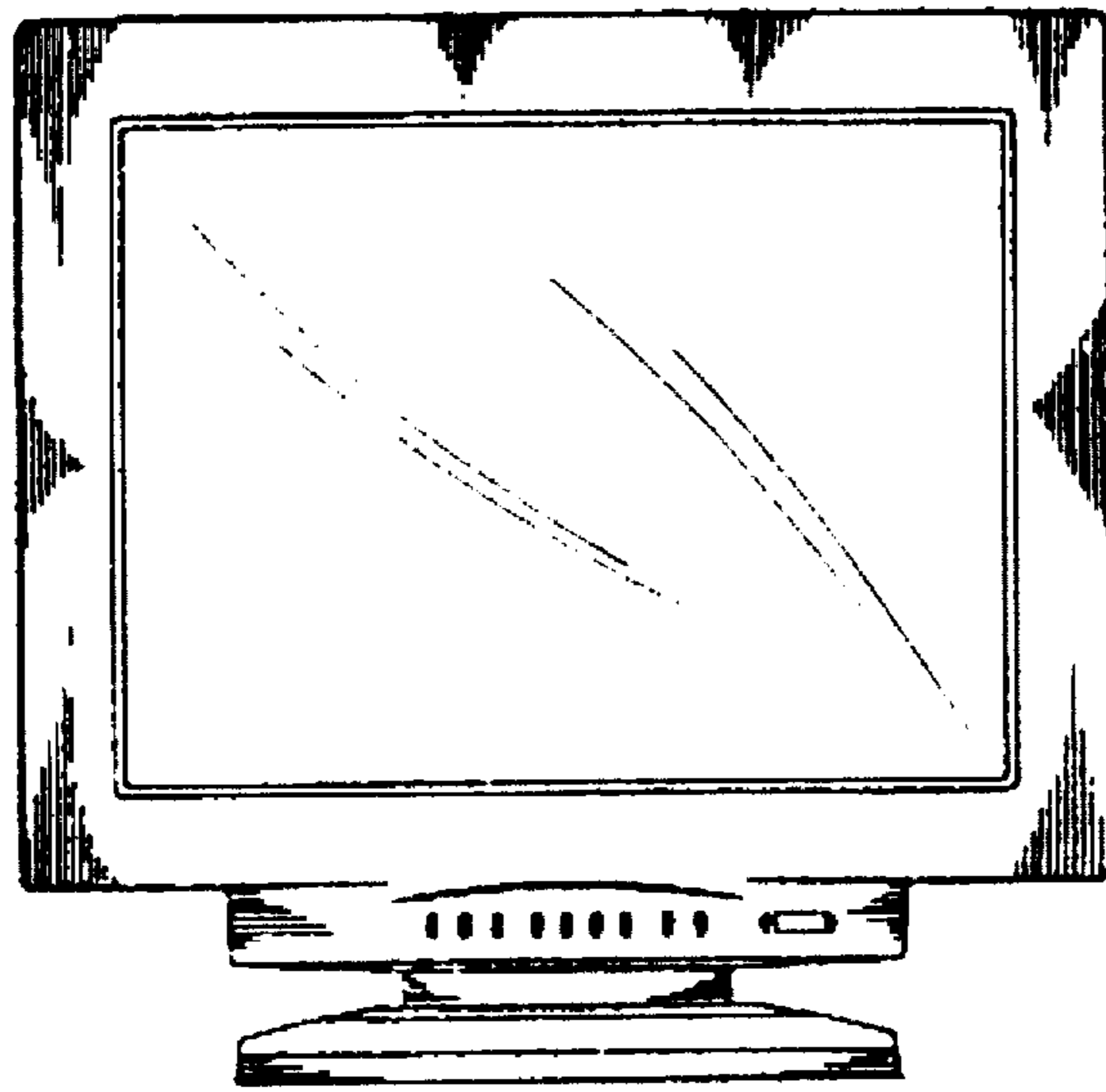


FIG. 2

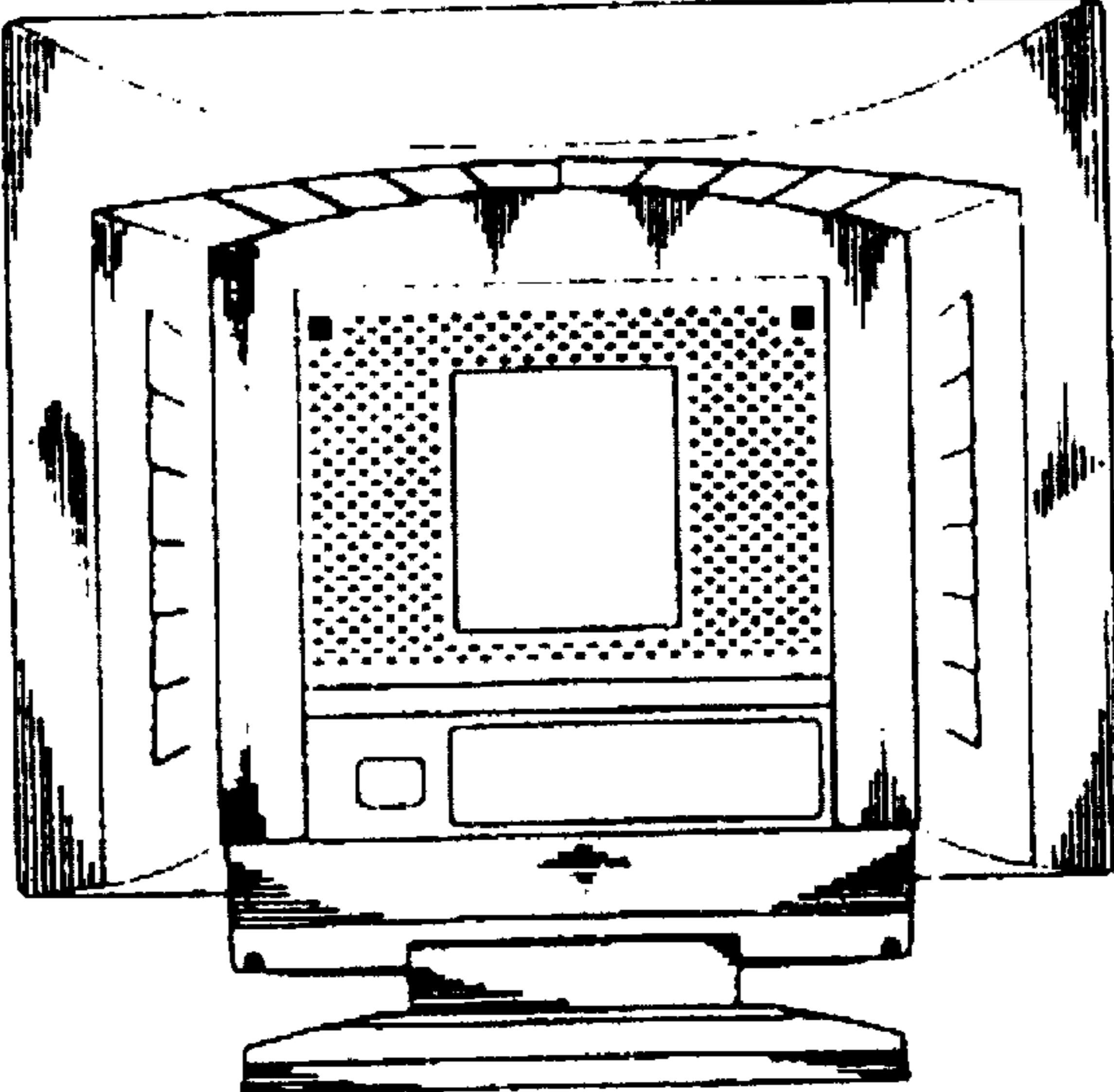


FIG. 3

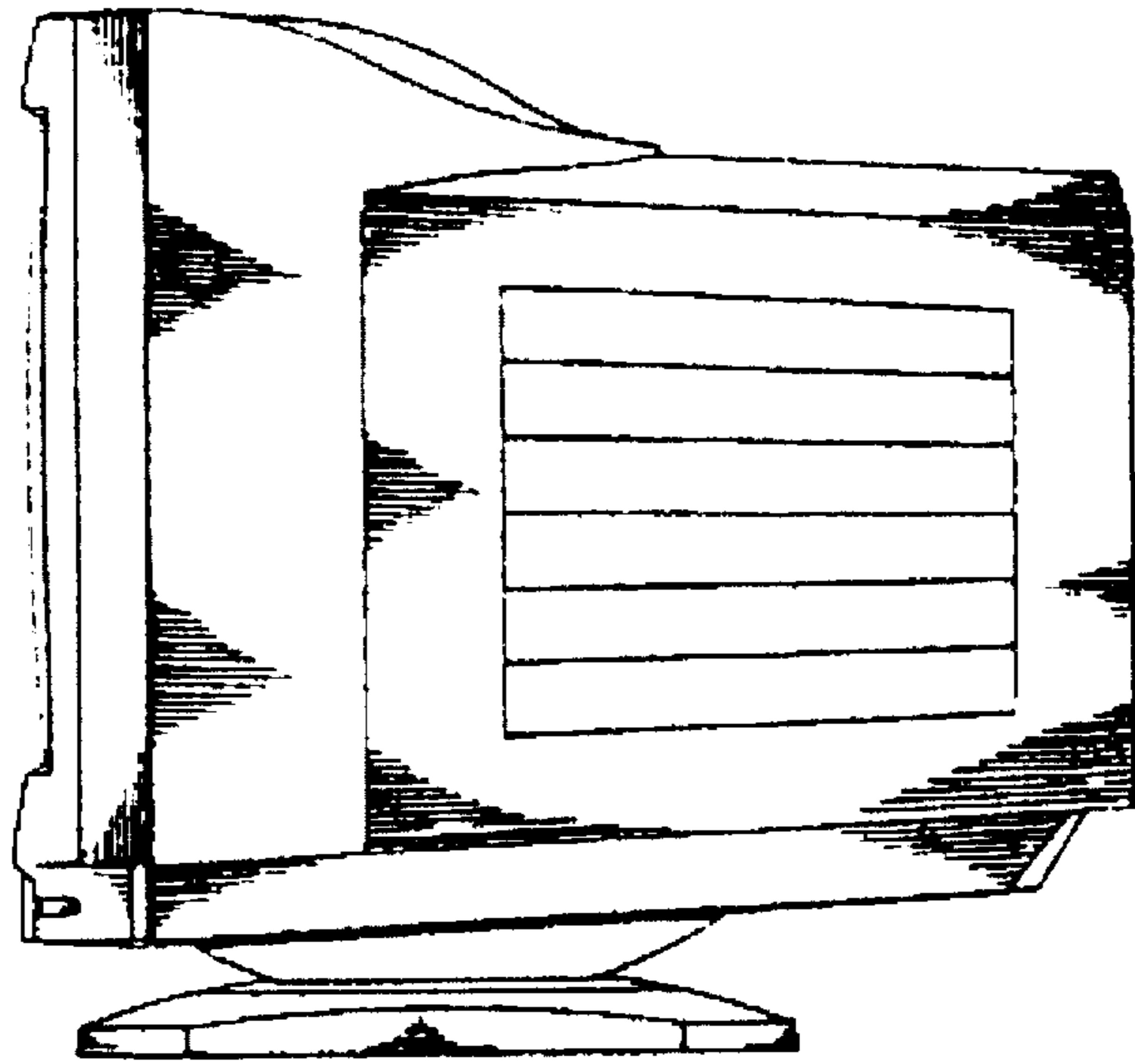


FIG. 4

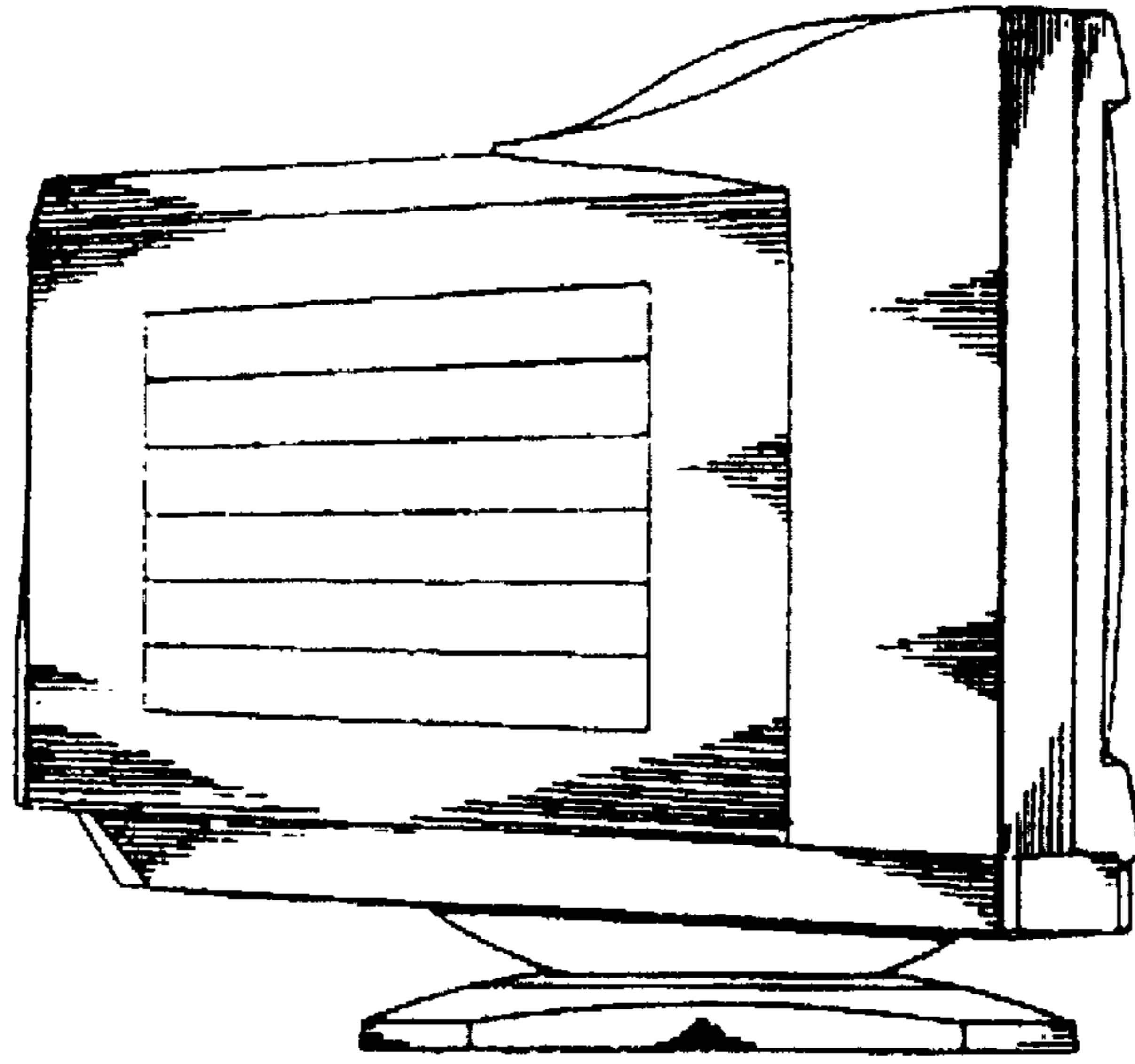


FIG. 5

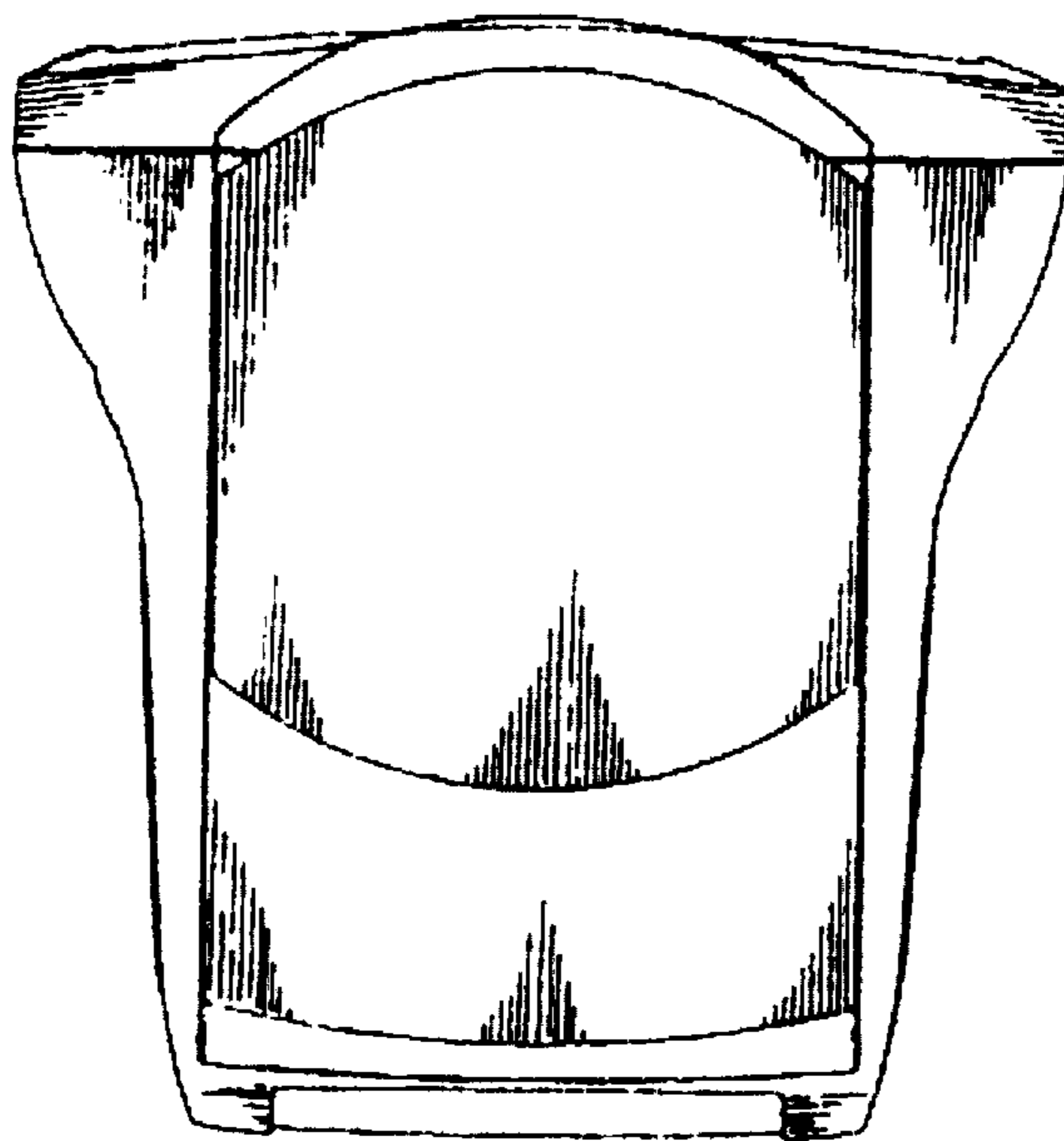


FIG. 6

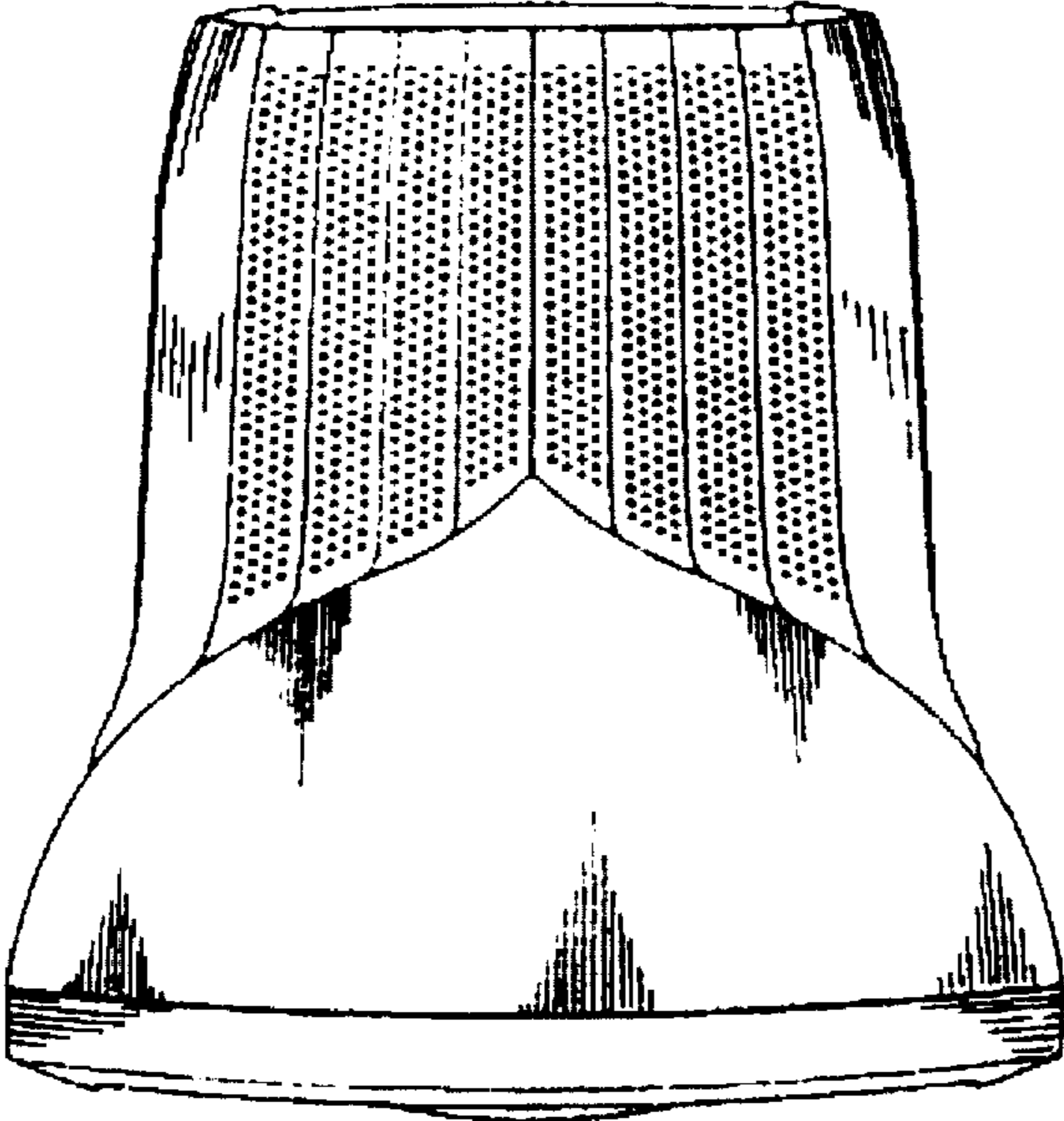


FIG. 7