

US00D390535S

United States Patent [19]
Mederios

[11] **Patent Number:** **Des. 390,535**
[45] **Date of Patent:** ****Feb. 10, 1998**

[54] **LIGHT PLUG HOLDER**

[57] **CLAIM**

[76] **Inventor:** **William Mederios, 20202 Morgan Valley Rd., Lower Lake, Calif. 95457**

The ornamental design for a light plug holder, as shown and described.

[**] **Term:** **14 Years**

DESCRIPTION

[21] **Appl. No.:** **53,328**

FIG. 1 is a rear, top and side perspective view of the light plug holder;

[22] **Filed:** **Apr. 11, 1996**

FIG. 2 is a rear elevational view thereof;

[51] **LOC (6) Cl.** **13-03**

FIG. 3 is a front elevational view thereof;

[52] **U.S. Cl.** **D13/154**

FIG. 4 is a right side elevational view thereof;

[58] **Field of Search** D13/156; 439/34-36, 439/148; 248/205.3; 434/574-575, 528; 362/82, 80; D12/223; D8/349, 354

FIG. 5 is a left side elevational view thereof;

FIG. 6 is a top plan view thereof;

FIG. 7 is a bottom plan view thereof;

[56] **References Cited**

FIG. 8 is a reduced scale, environmental view thereof with the broken line showing of a vehicle being for illustrative purposes only and forming no part of the claimed design;

U.S. PATENT DOCUMENTS

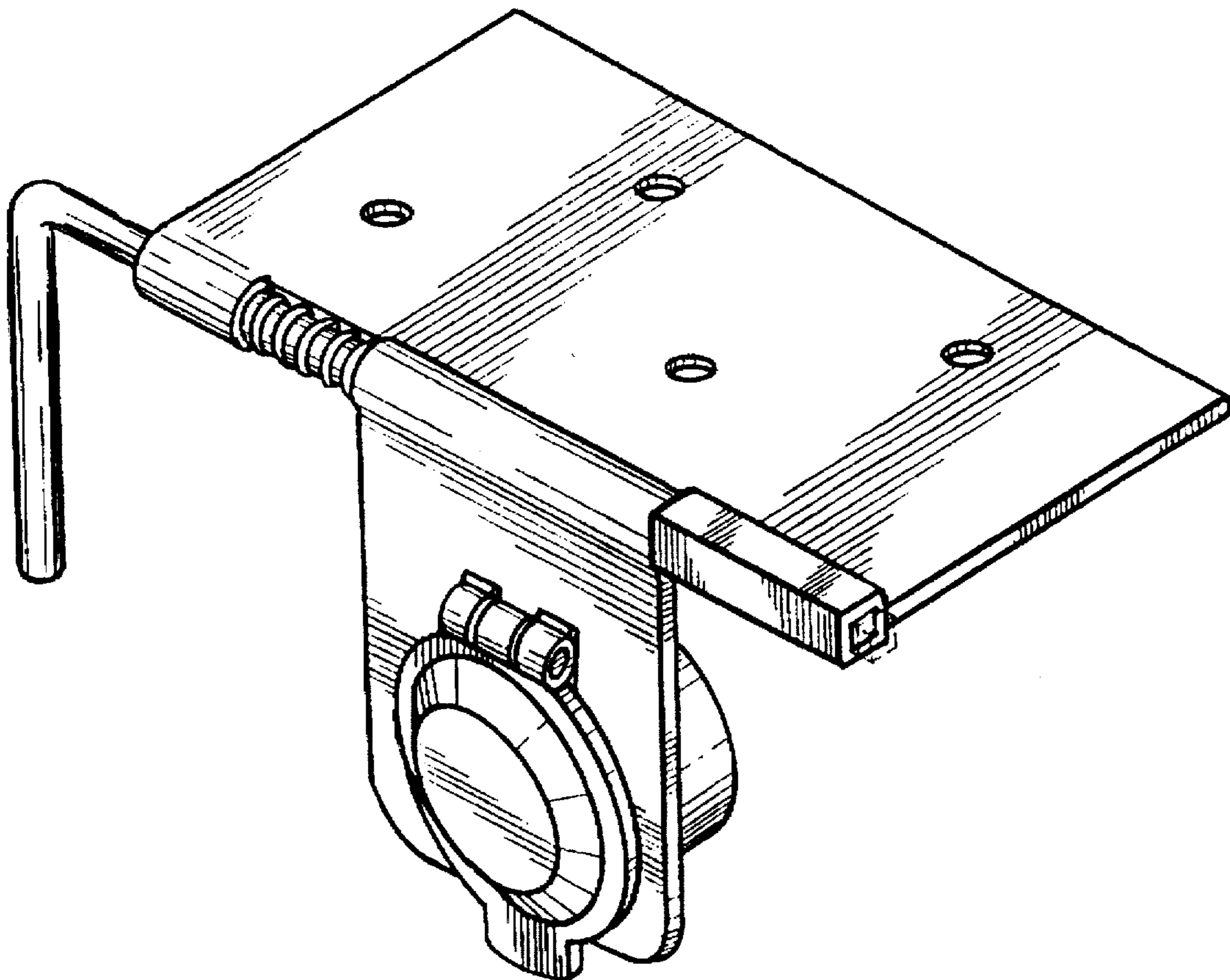
FIG. 9 is a transverse sectional view taken along line 9-9 in FIG. 3; and,

2,024,734 12/1935 Hoskins 439/528
5,308,253 5/1994 Maki 439/528 X

FIG. 10 is a transverse sectional view taken along line 10-10 in FIG. 3.

Primary Examiner—Holly Baynham
Attorney, Agent, or Firm—Dennis H. Lambert

1 Claim, 5 Drawing Sheets



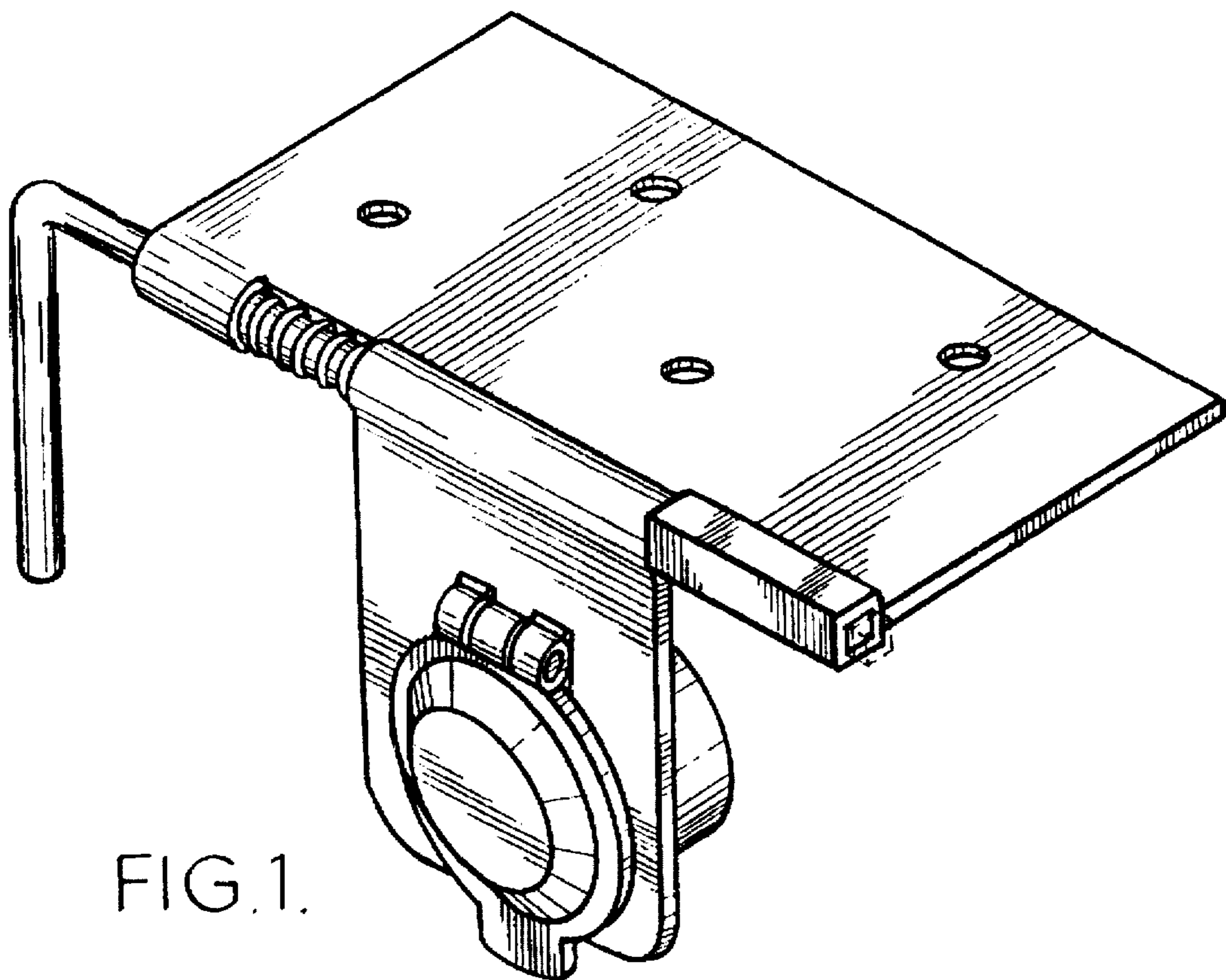


FIG. 1.

FIG. 2.

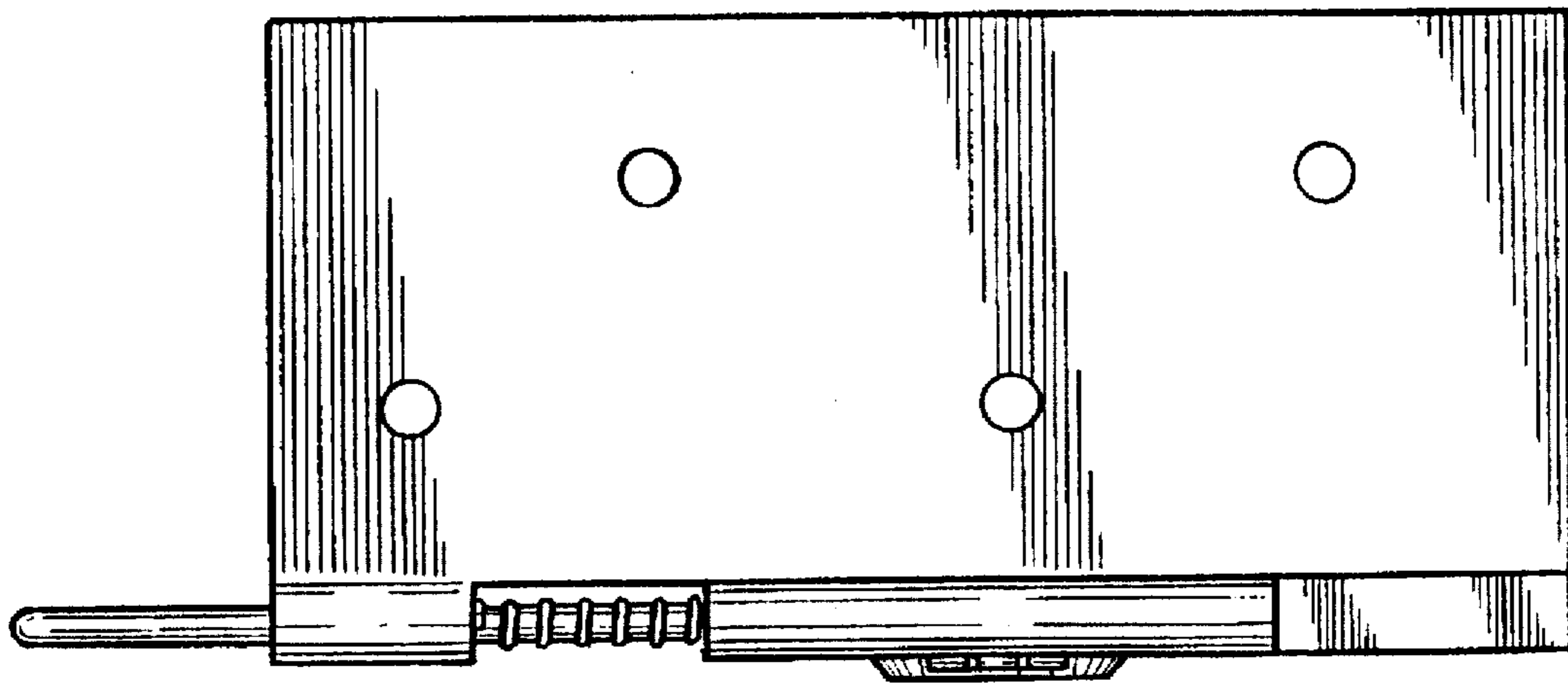
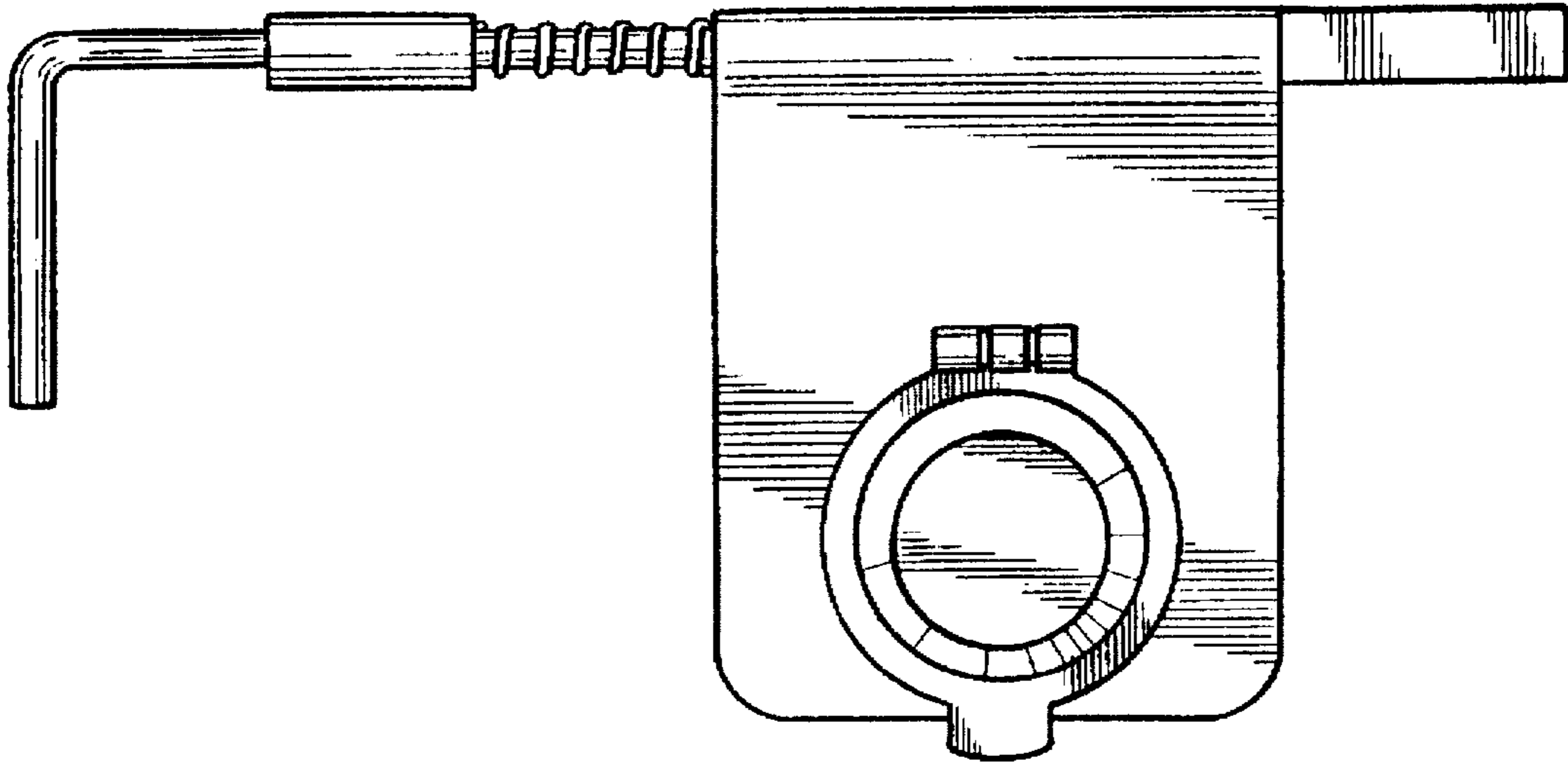


FIG. 6.

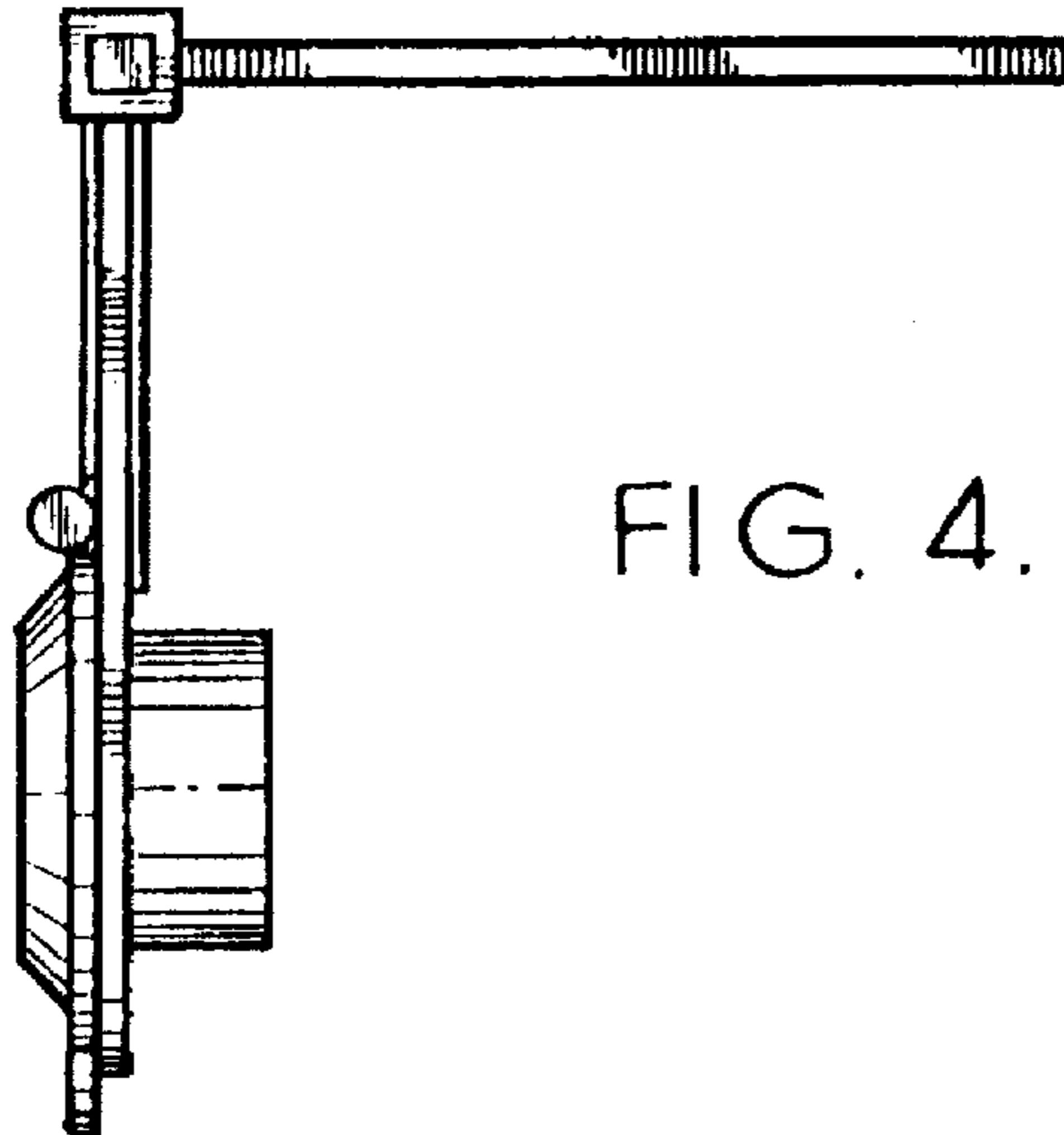


FIG. 4.

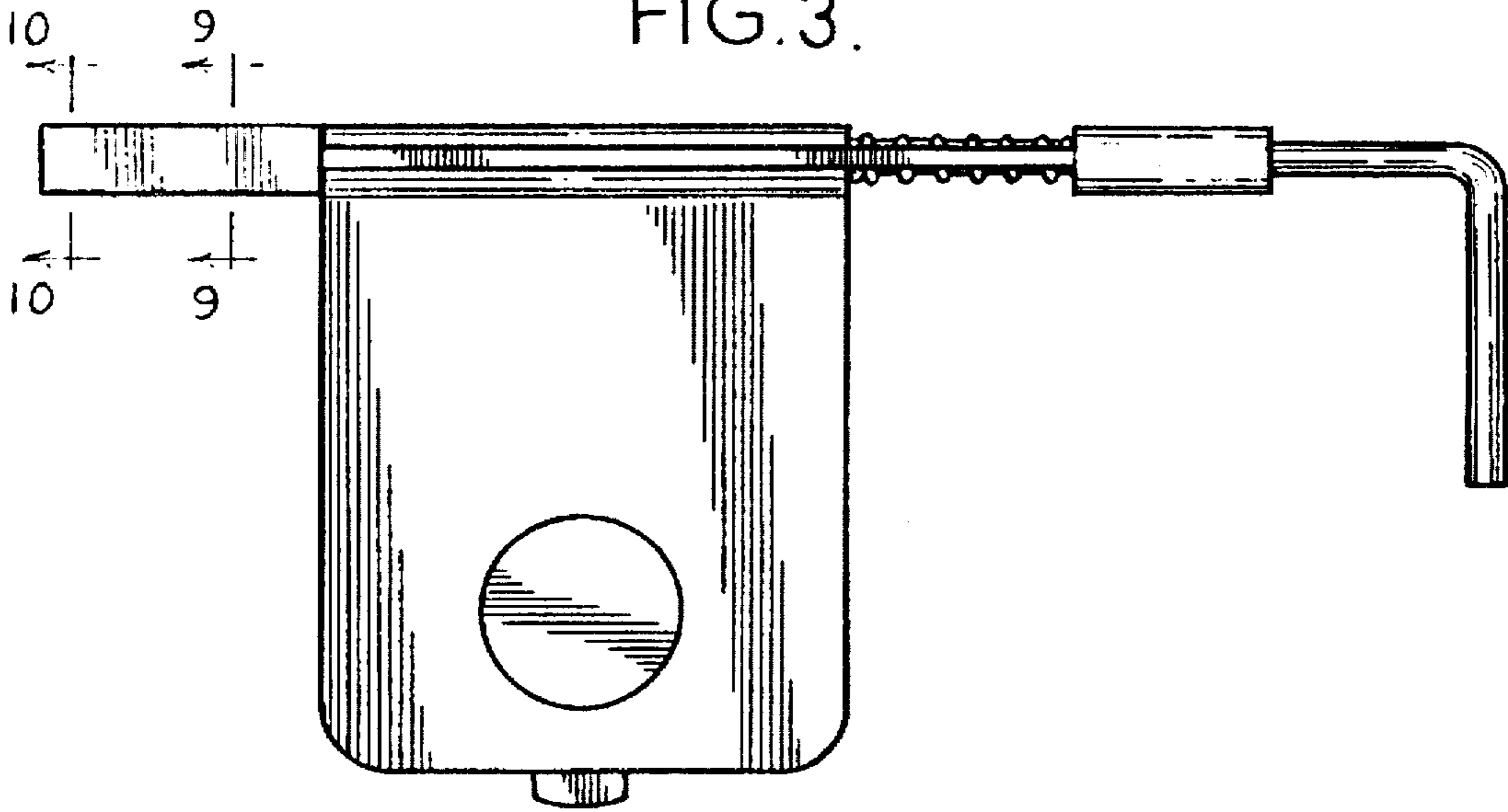


FIG. 3.

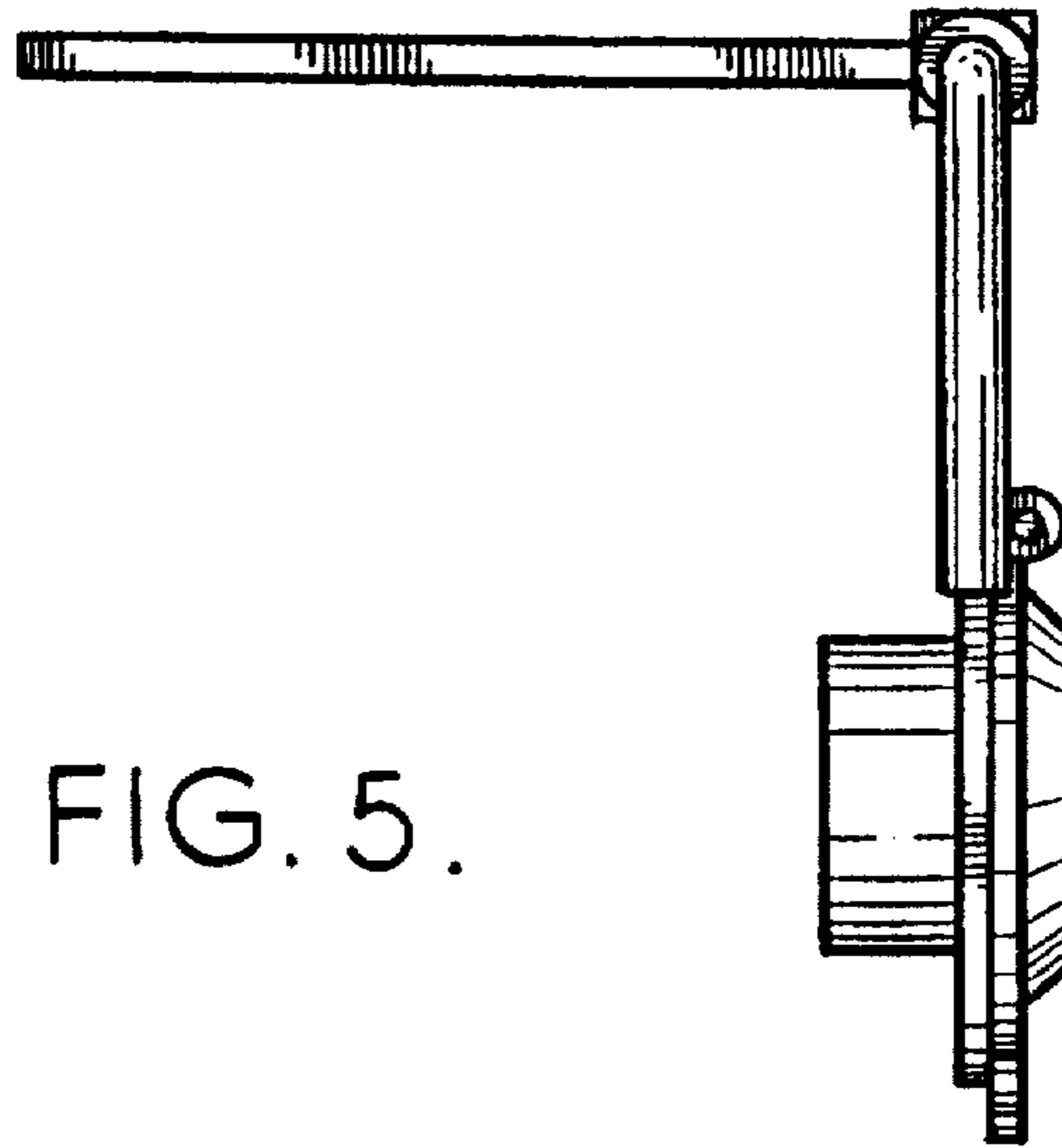
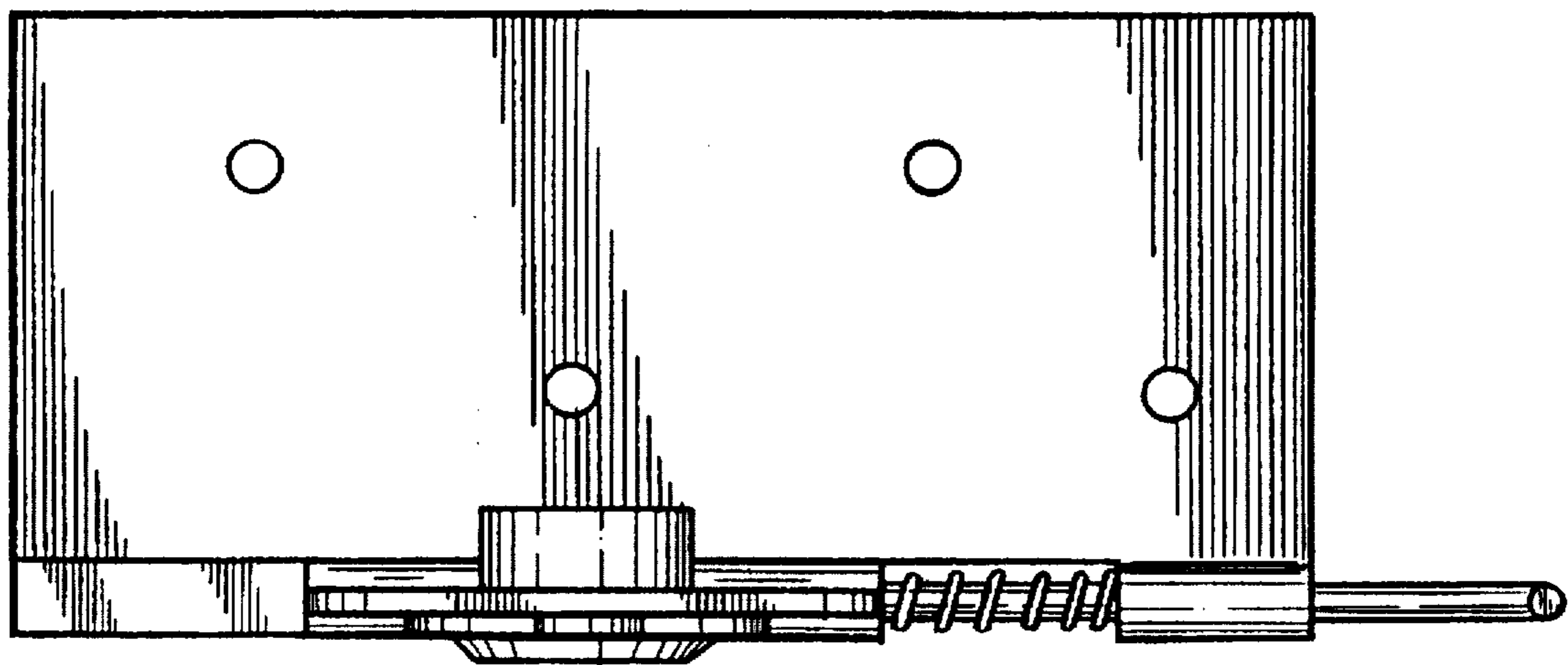


FIG. 5.

FIG. 7.



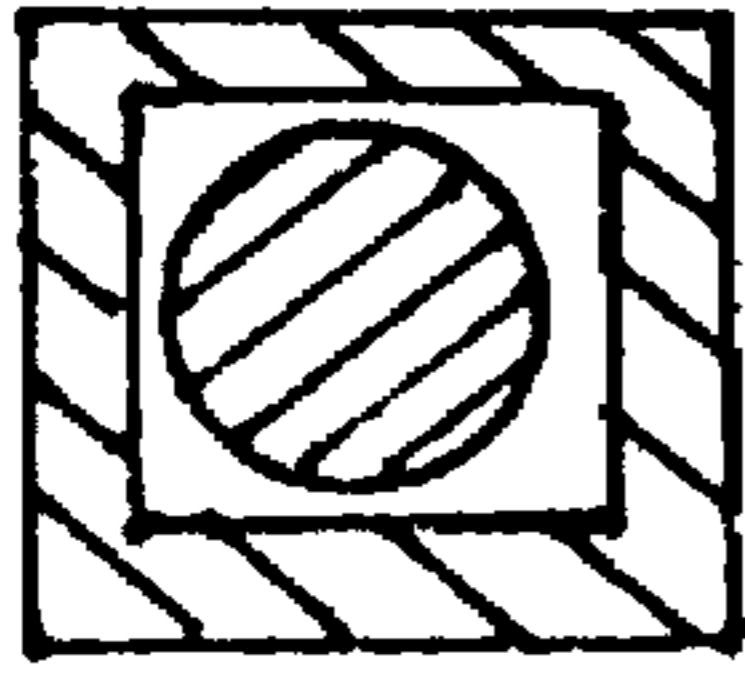


FIG. 9.

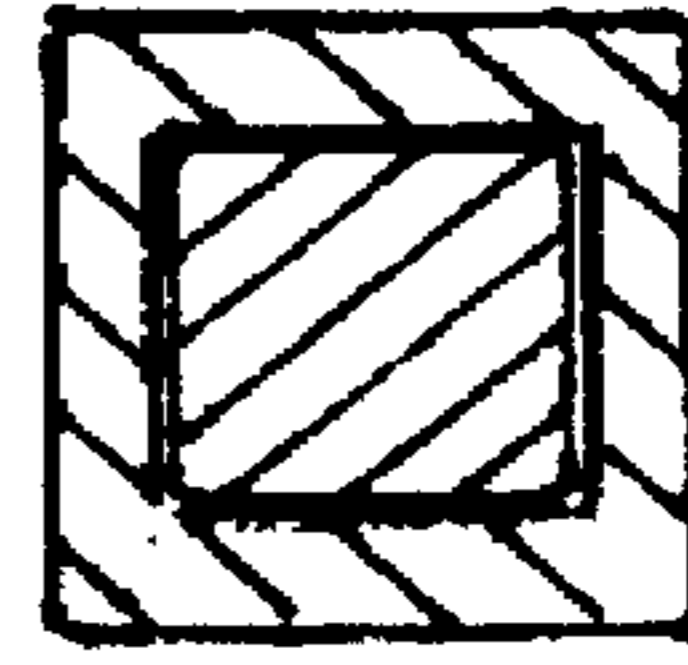


FIG. 10.

FIG. 8.

