



US00D390533S

United States Patent [19]

[11] Patent Number: **Des. 390,533**

Brower

[45] Date of Patent: ****Feb. 10, 1998**

[54] PLUG IN LIGHTING SYSTEM

[76] Inventor: **Donald W. Brower**, 132 Lillian La., Bangor, Pa. 18013

[**] Term: **14 Years**

[21] Appl. No.: **59,012**

[22] Filed: **Aug. 30, 1996**

[51] LOC (6) Cl. **13-03**

[52] U.S. Cl. **D13/134**

[58] Field of Search D13/133, 134, D13/135; D26/26; 362/95, 101, 183, 226, 311, 457, 806; 439/135, 136, 356, 375, 680, 692, 699.2, 702, 707, 731, 734

[56] References Cited

U.S. PATENT DOCUMENTS

D. 269,954	8/1983	Ohashi	D26/26 X
1,977,105	10/1934	Wood	362/226
4,491,380	1/1985	Wu	439/457
5,124,897	6/1992	Kraus	362/226
5,580,159	12/1996	Liu	362/226

Primary Examiner—Alan P. Douglas
Assistant Examiner—Lavone D. Tabor

[57] CLAIM

The ornamental design for a plug in lighting system, as shown and described.

DESCRIPTION

FIG. 1 is a front elevational view of a plug in lighting system showing my new design, with the cover portion shown partially removed;

FIG. 2 is a rear elevational view thereof, with the cover portion in place;

FIG. 3 is a right side elevational view of FIG. 2;

FIG. 4 is a left side elevational view of FIG. 2;

FIG. 5 is a top plan view of FIG. 2; and,

FIG. 6 is a bottom plan view of FIG. 2.

The wires are shown broken away to indicate indeterminate length.

1 Claim, 3 Drawing Sheets

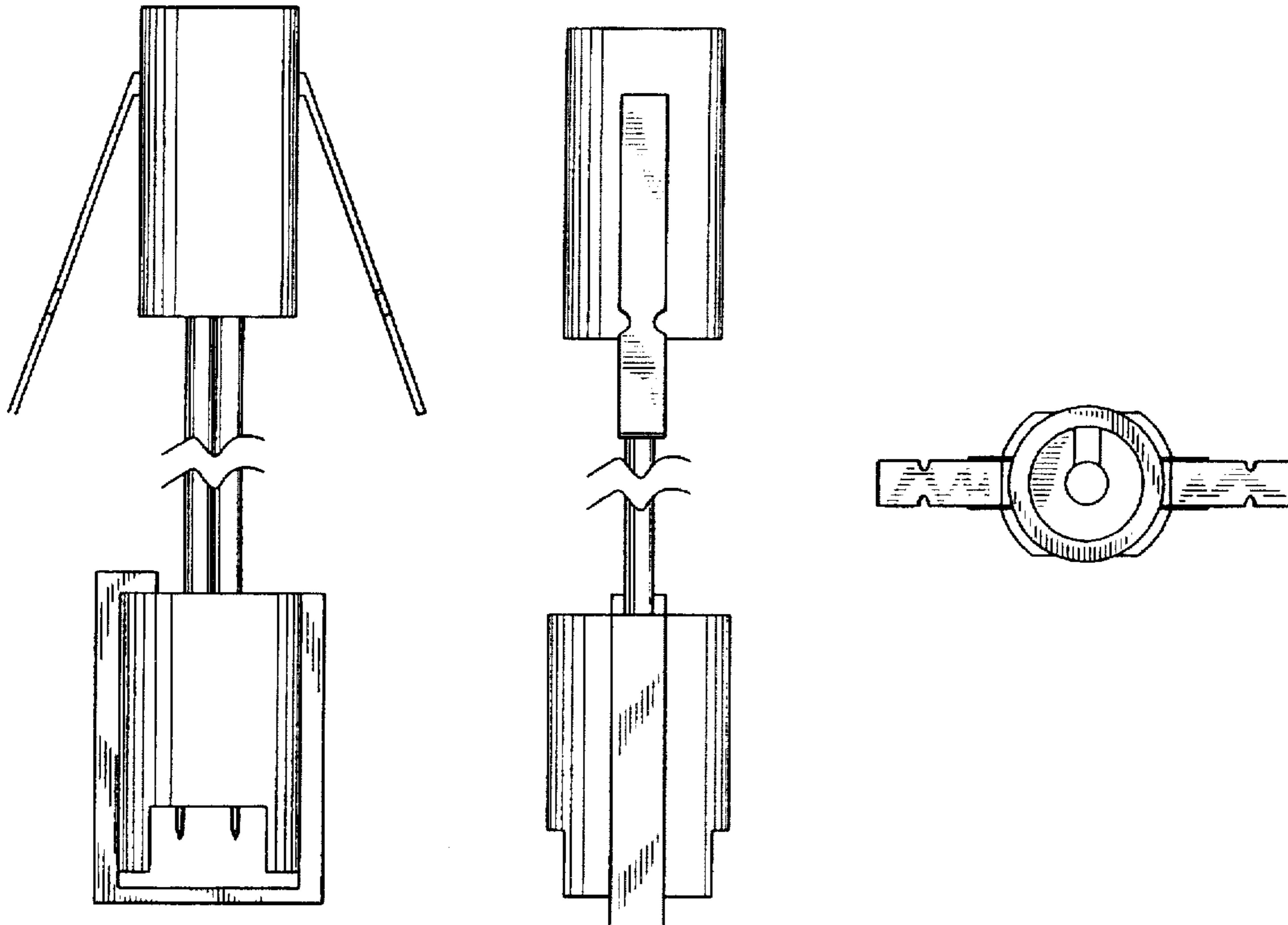


FIG. 1

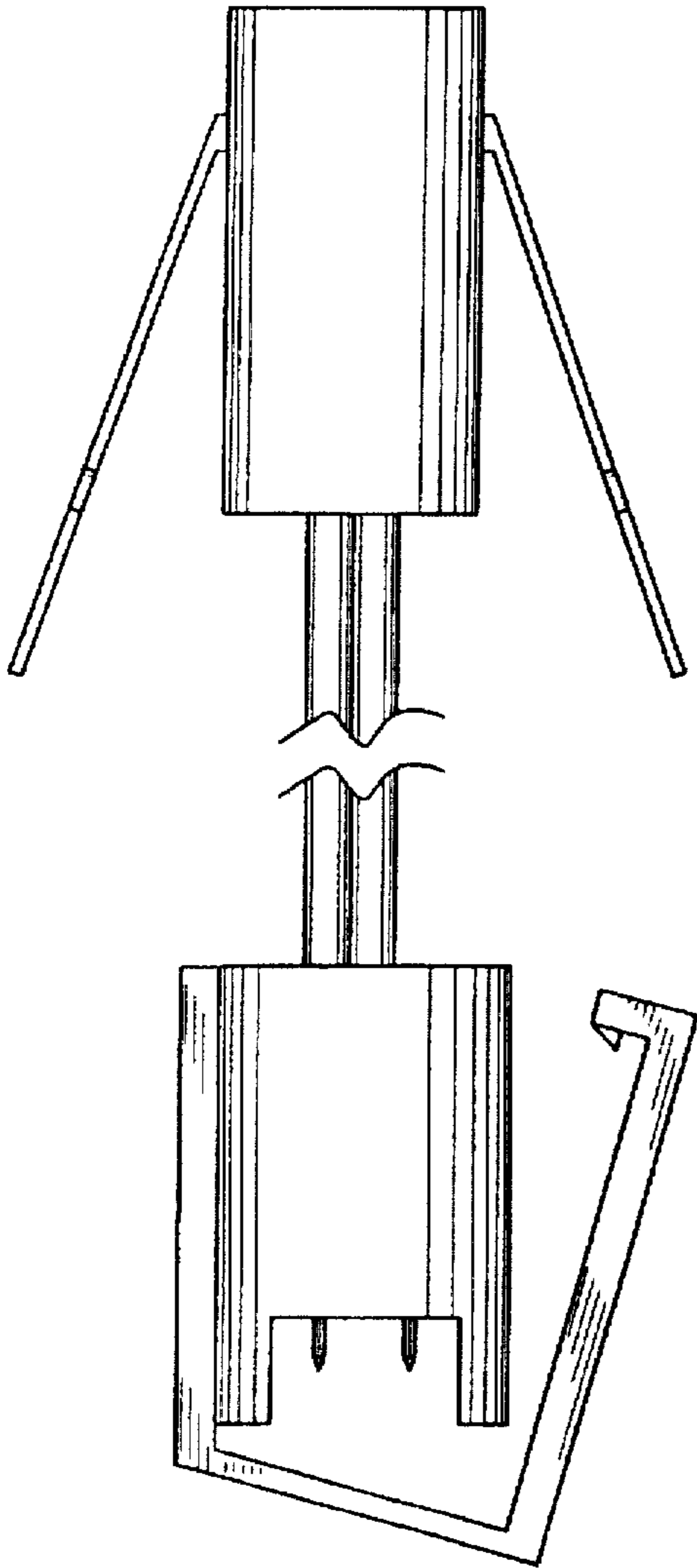


FIG. 2

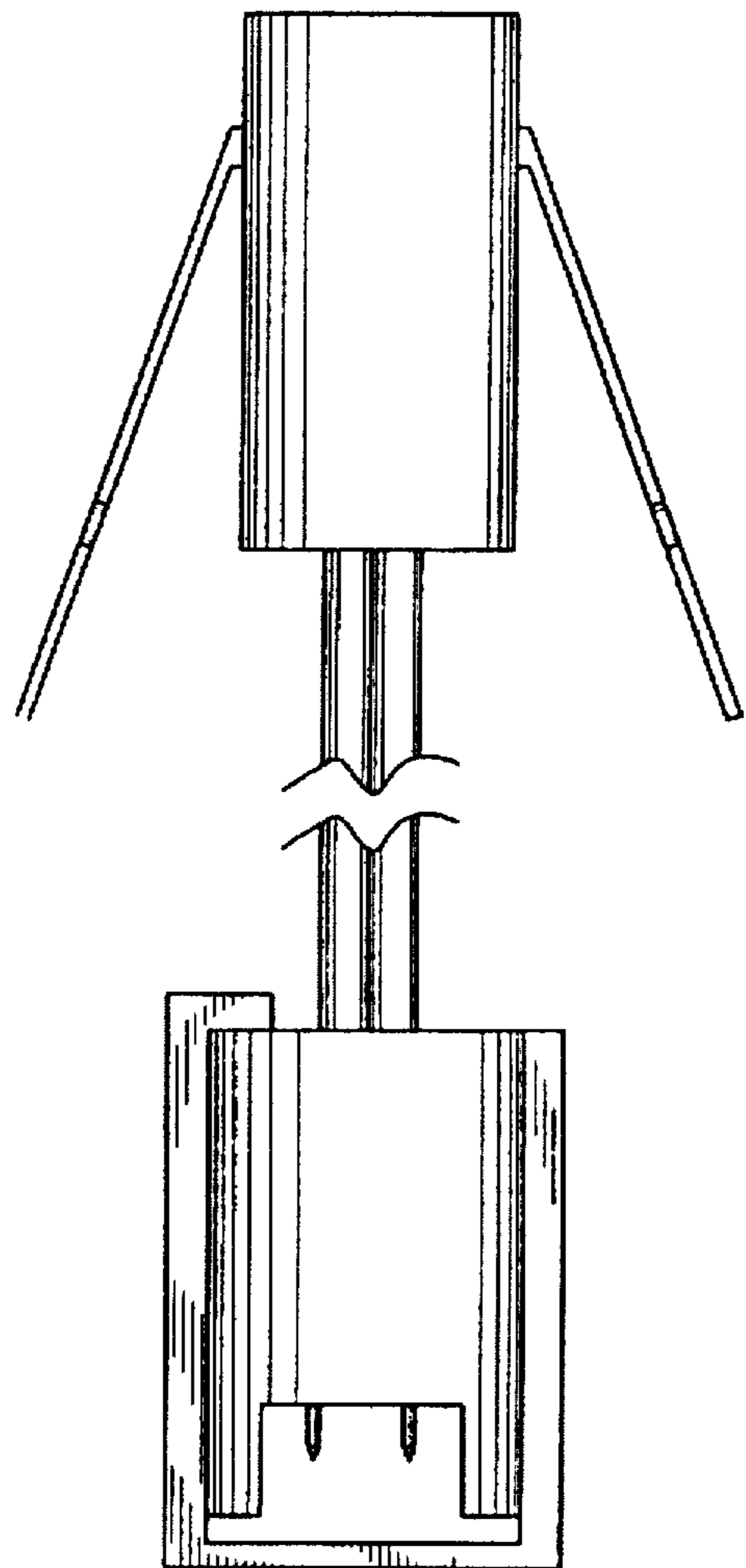


FIG. 3

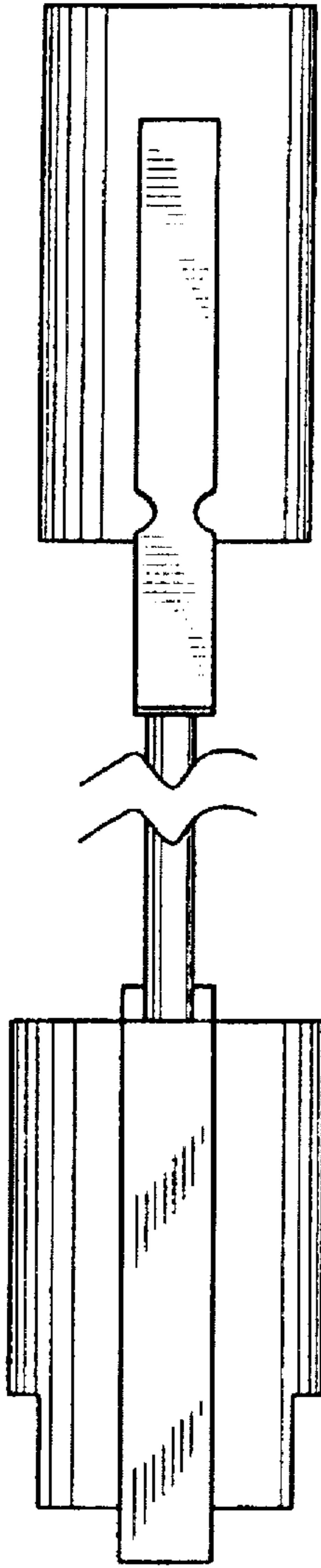


FIG. 4

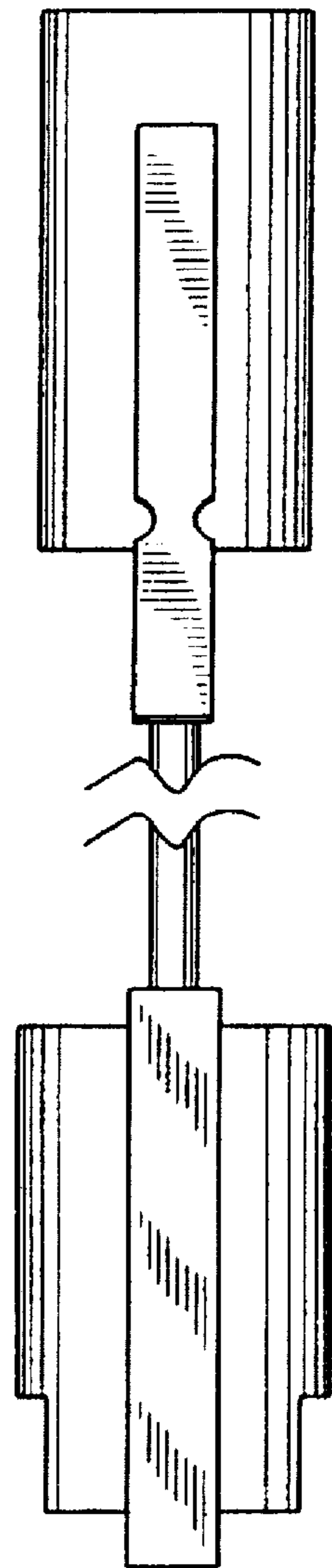


FIG. 5

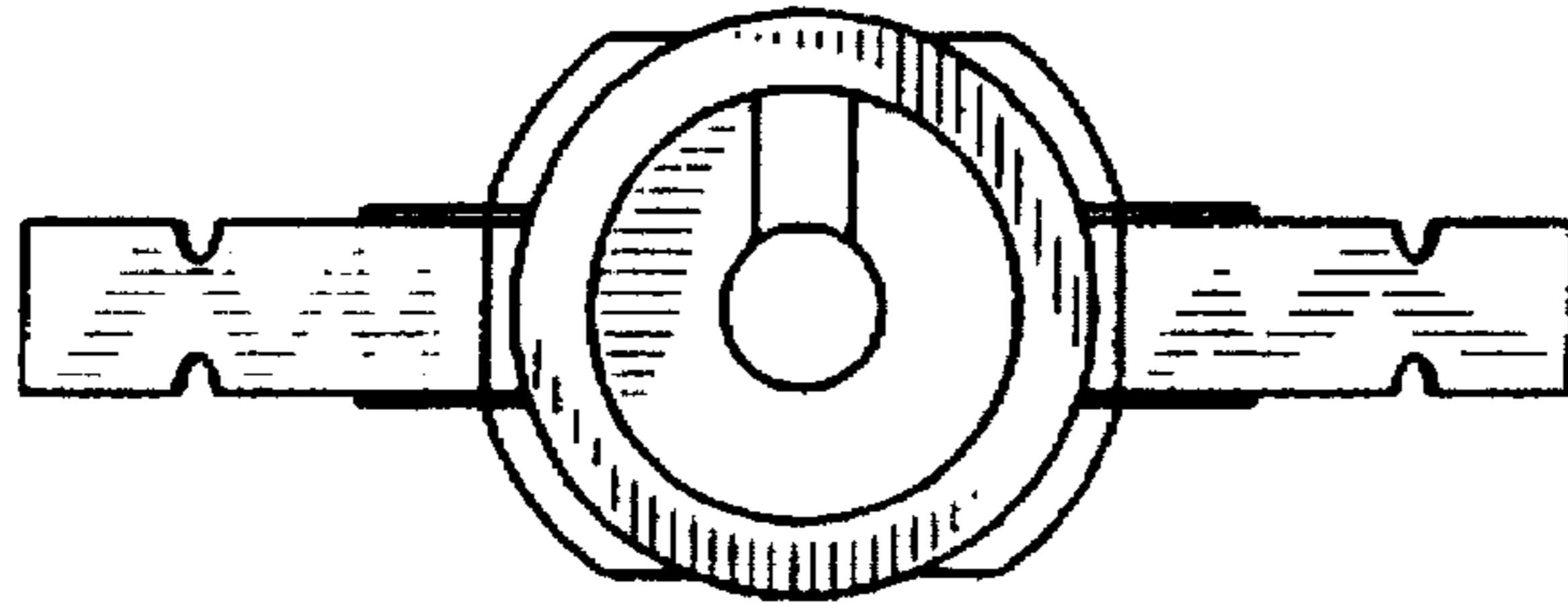


FIG. 6

