



US00D390531S

United States Patent [19]
Schumacher

[11] **Patent Number: Des. 390,531**
[45] **Date of Patent: **Feb. 10, 1998**

[54] **PORTION OF A BATTERY PACK**

[75] **Inventor: Robert A. Schumacher**, New York, N.Y.
[73] **Assignee: Gemini Industries, Inc.**, Clifton, N.J.
[**] **Term: 14 Years**
[21] **Appl. No.: 64,948**
[22] **Filed: Jan. 15, 1997**

Related U.S. Application Data

[62] Division of Ser. No. 35,968, Mar. 10, 1995.
[51] **LOC (6) Cl. 13-02**
[52] **U.S. Cl. D13/103**
[58] **Field of Search D13/103; 429/96-100, 429/163, 176**

References Cited

U.S. PATENT DOCUMENTS

D. 350,328	9/1994	Alexandres et al.	D13/103
D. 352,269	11/1994	Alexandres et al.	D13/103
D. 358,128	5/1995	Berry et al.	D13/103
D. 359,267	6/1995	Berry et al.	D13/103
5,180,644	1/1993	Bresin et al.	D13/103 X
5,242,767	9/1993	Roback et al.	429/97
5,432,017	7/1995	Hassemer et al.	429/99 X

Primary Examiner—Joel Sincavage
Attorney, Agent, or Firm—Lerner, David, Littenberg, Krumholz & Mentlik

[57] **CLAIM**

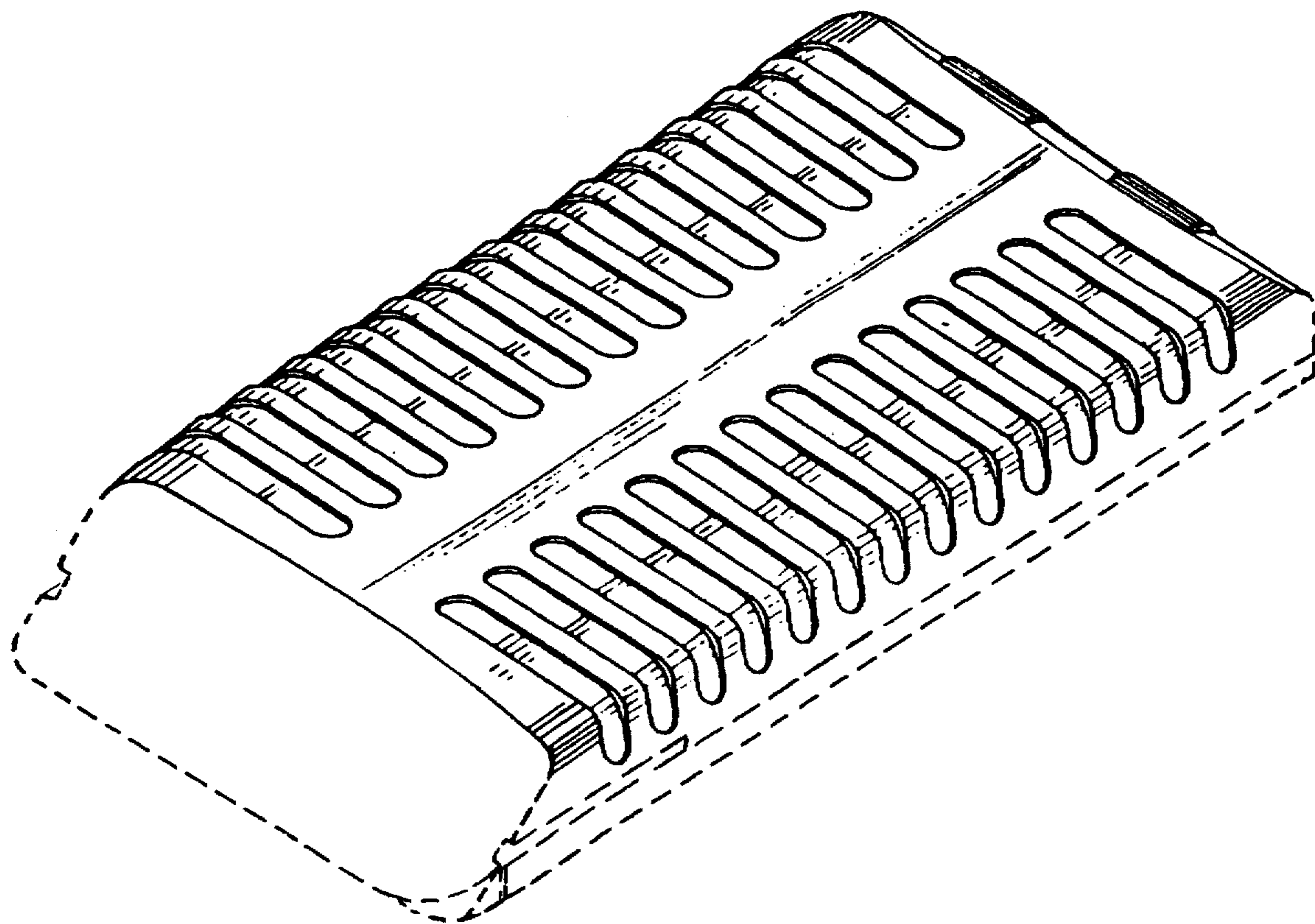
The design for a portion of a battery pack, as shown and described.

DESCRIPTION

FIG. 1 is a perspective view, taken slightly from above, of a portion of a battery pack showing my new design; FIG. 2 is a right side elevational view taken from FIG. 4; FIG. 3 is a left side elevational view taken from FIG. 4; FIG. 4 is a front elevational view, the rear elevational view being identical thereto; FIG. 5 is a top plan view; FIG. 6 is a perspective view, taken slightly from above, of another embodiment of my design; FIG. 7 is a left side elevational view taken from FIG. 9; FIG. 8 is a right side elevational view taken from FIG. 9; FIG. 9 is a front elevational view, the rear elevational view being identical thereto; and, FIG. 10 is a top plan view.

The broken line showing throughout the drawing is included for the purpose of illustrating environmental structure only and forms no part of the claimed design.

1 Claim, 6 Drawing Sheets



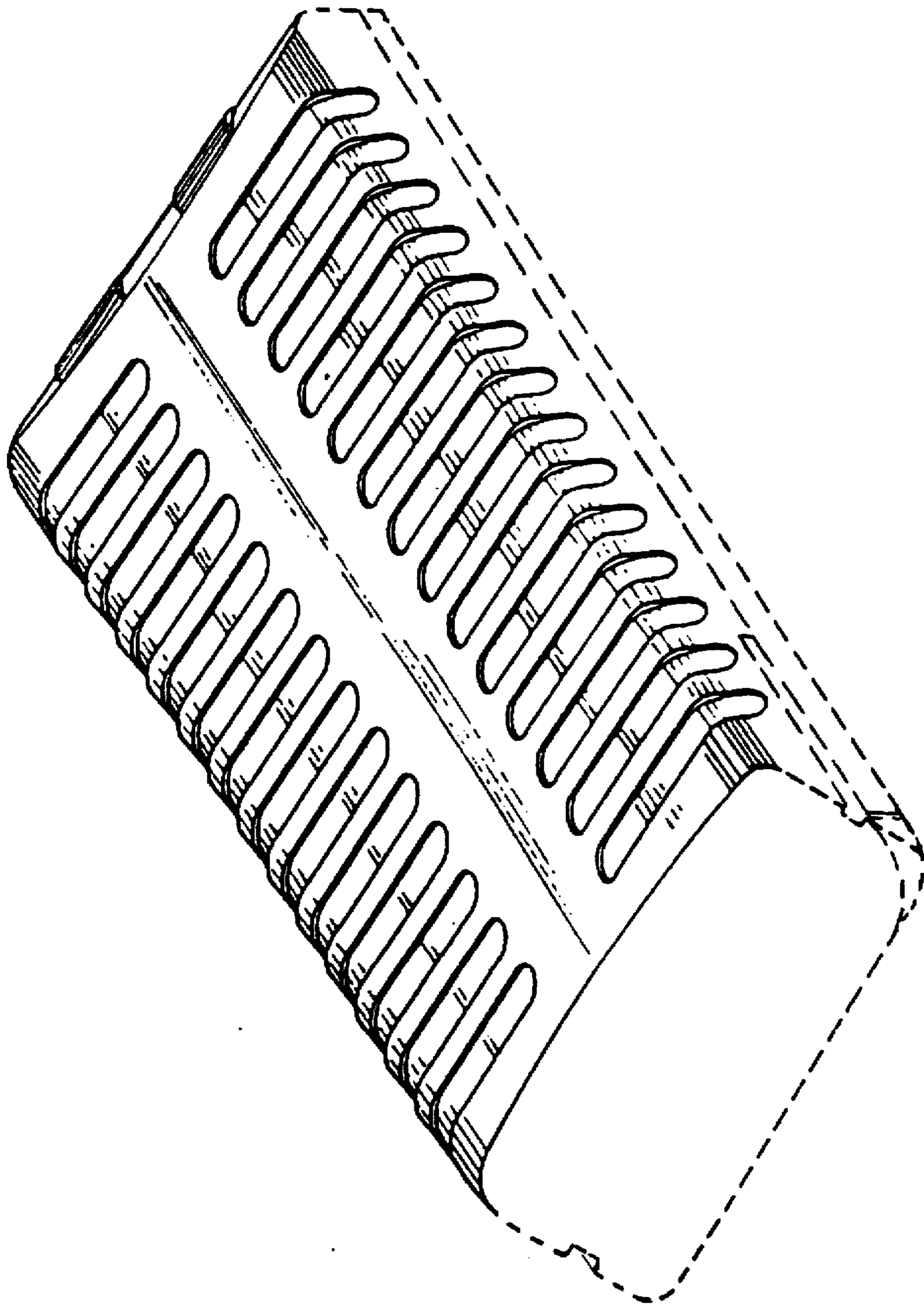


FIG. 1

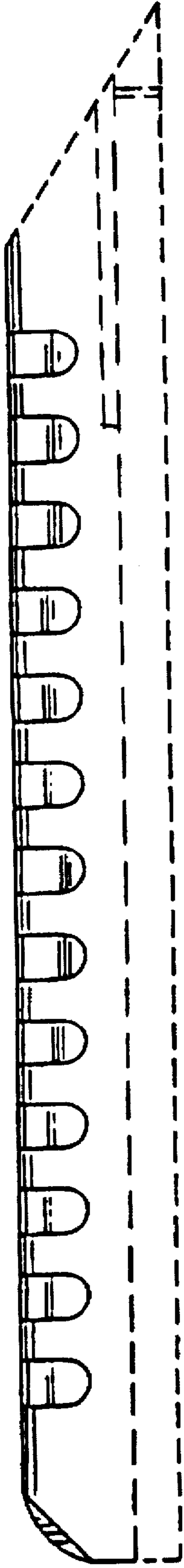


FIG. 4

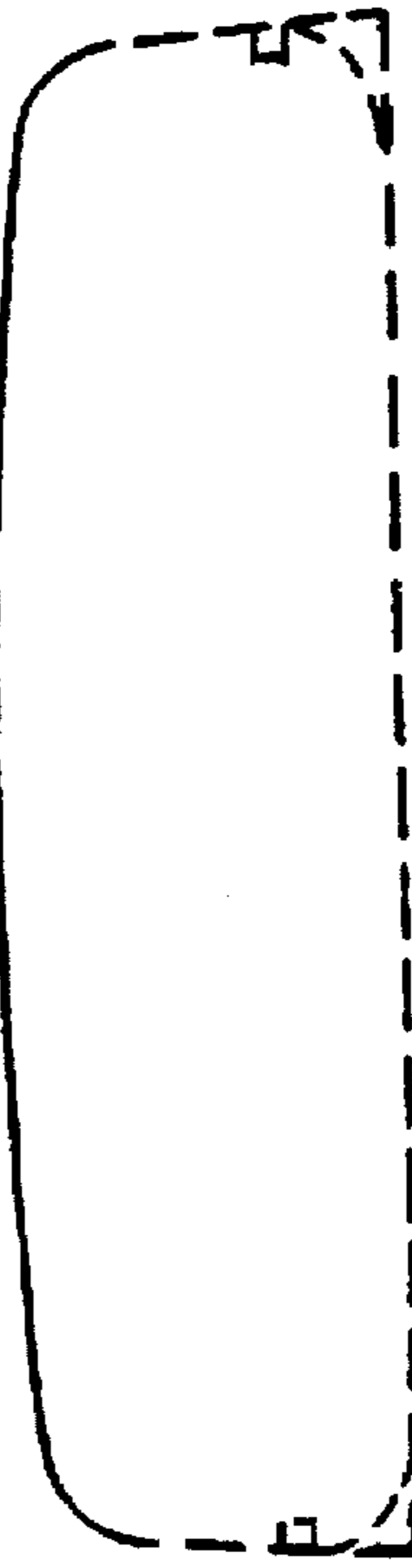


FIG. 2

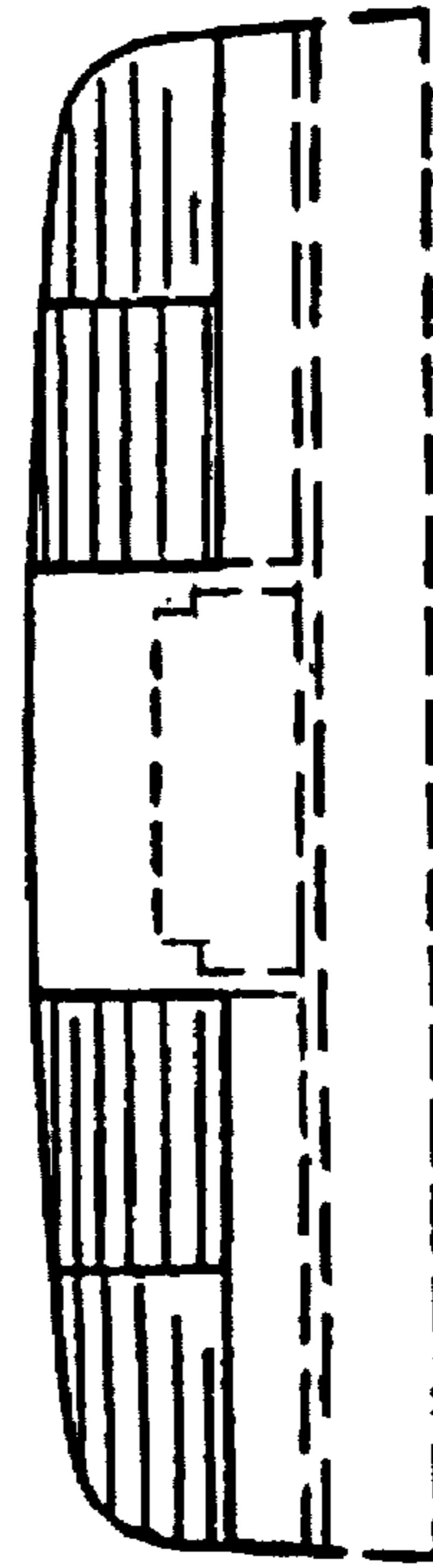


FIG. 3

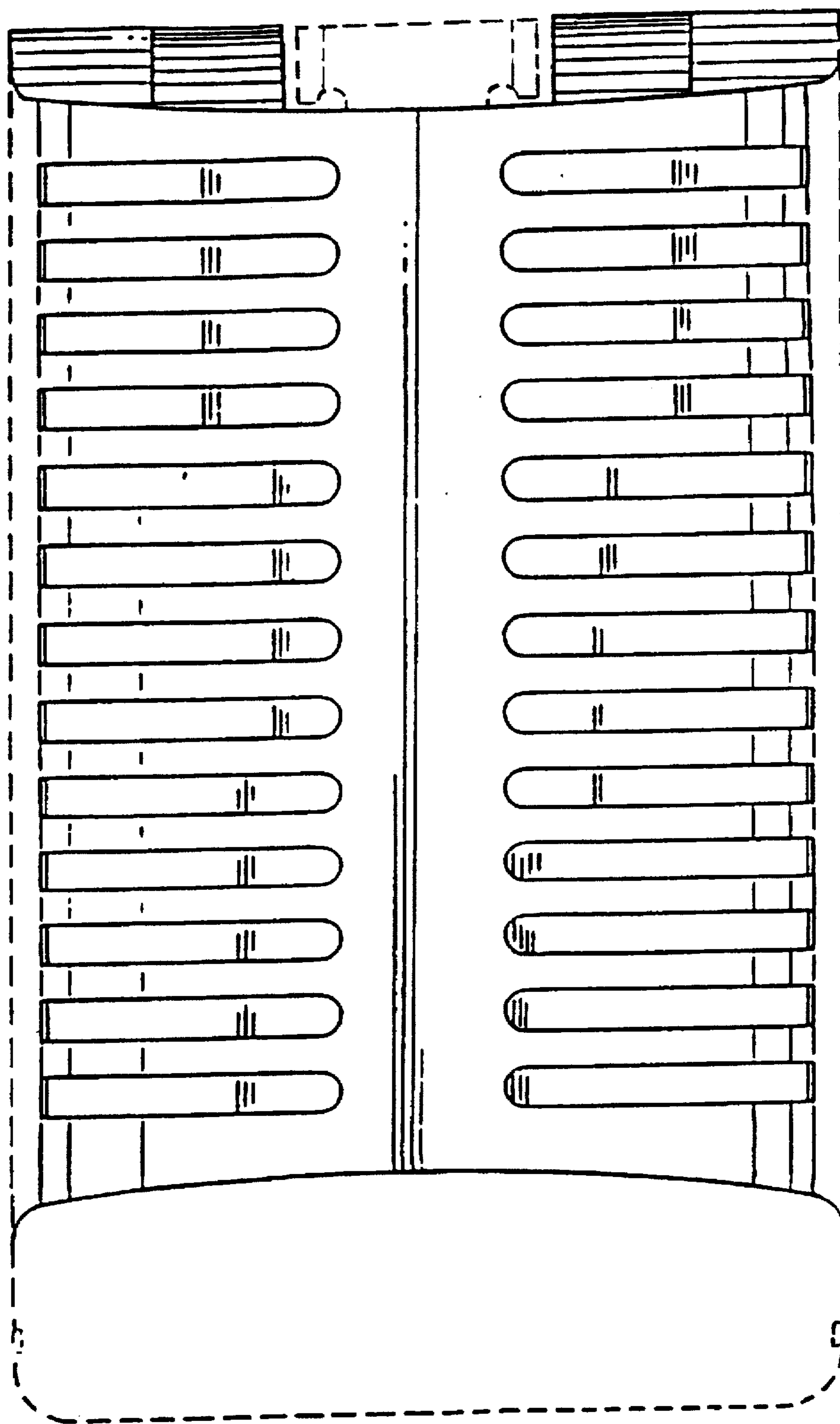


FIG. 5

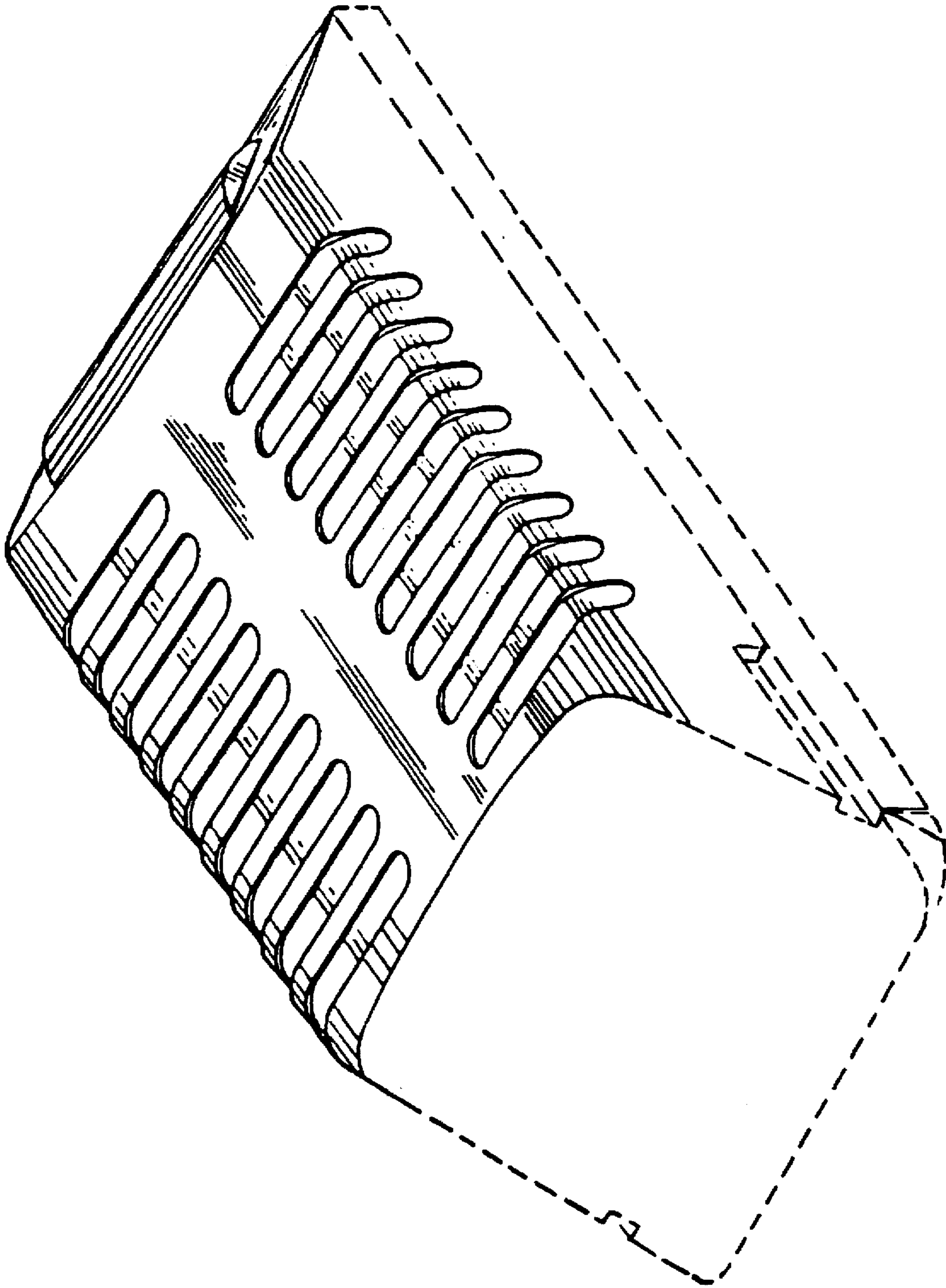


FIG. 6

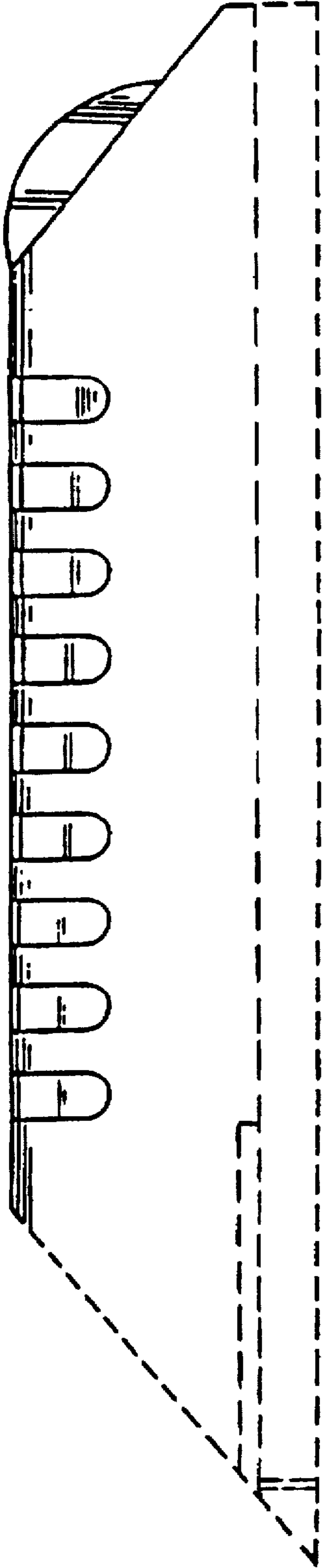


FIG. 9

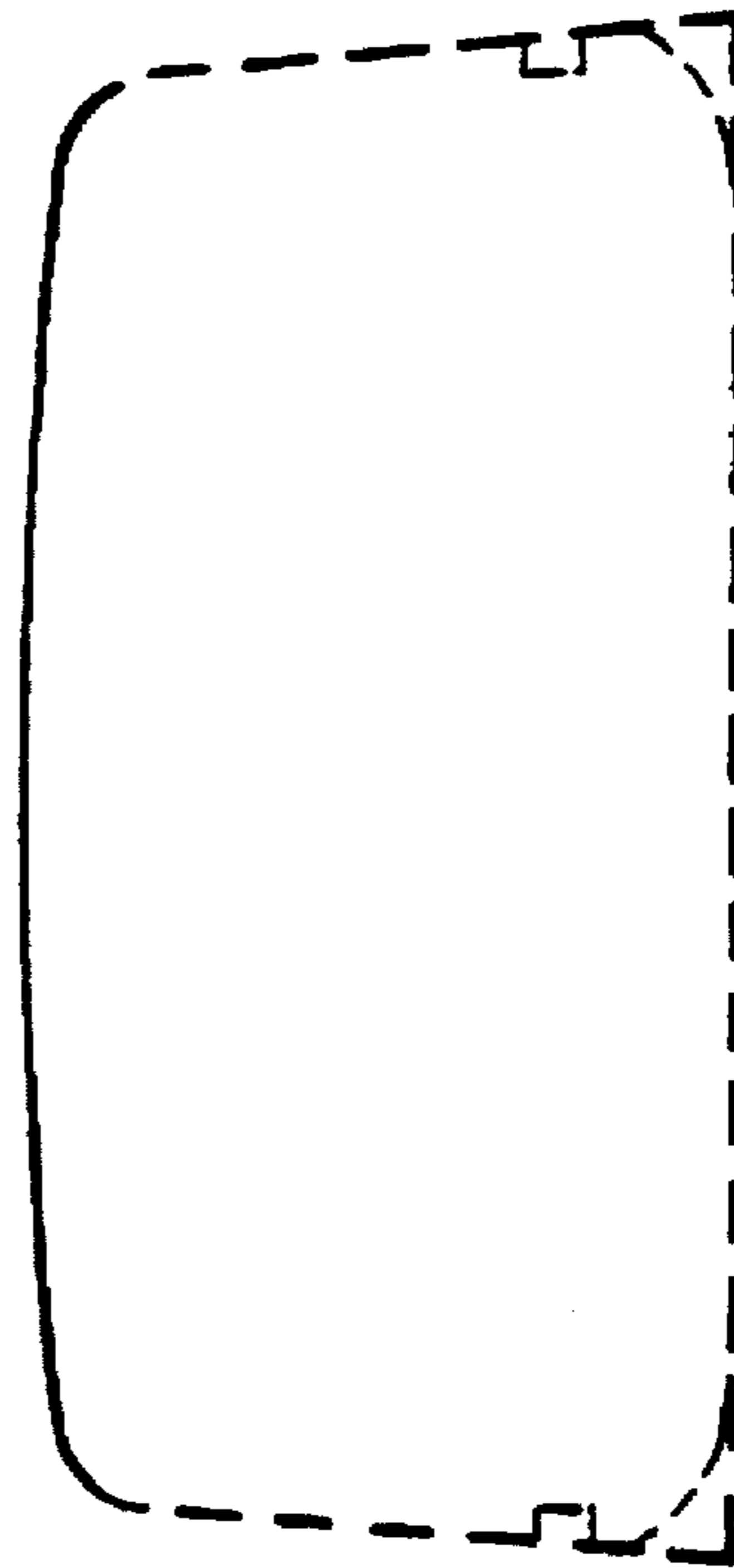


FIG. 7

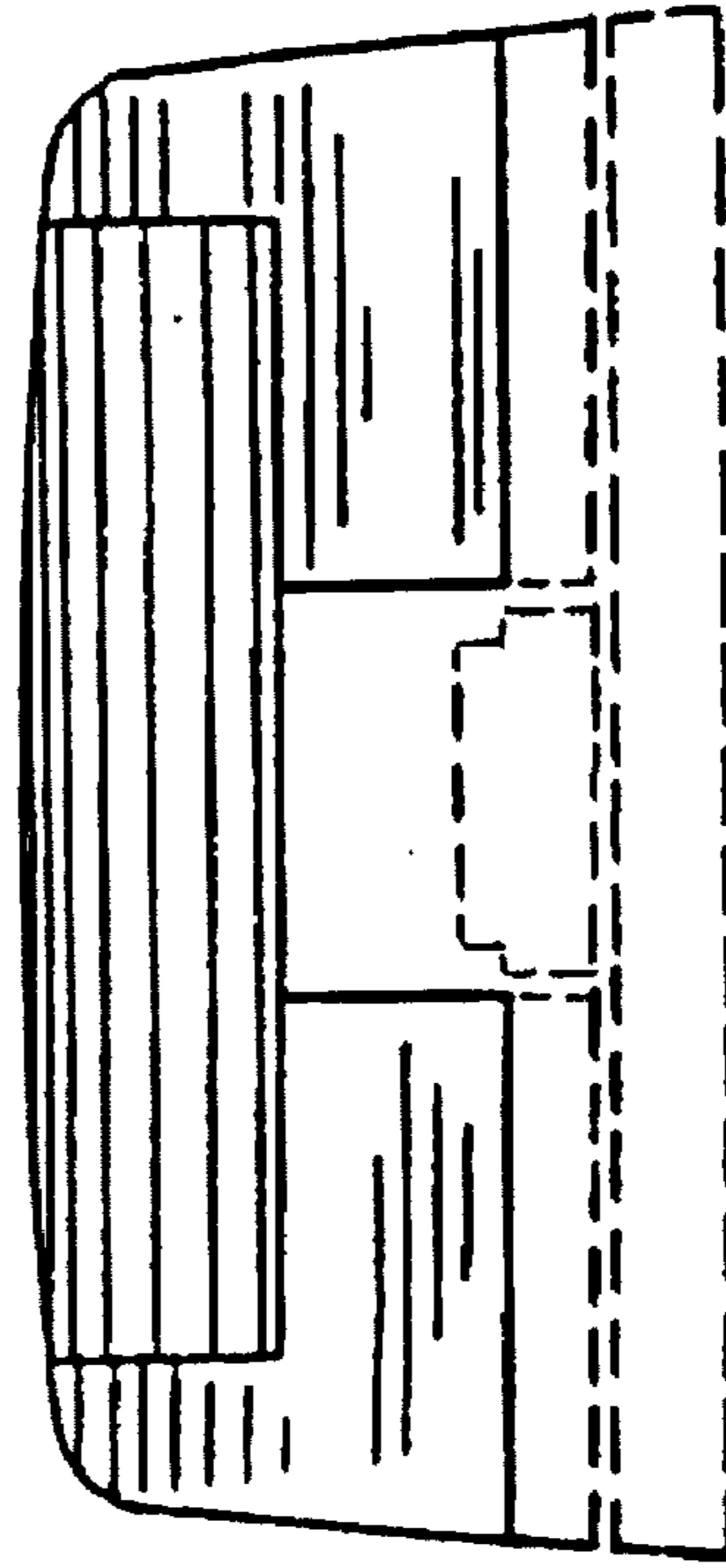


FIG. 8

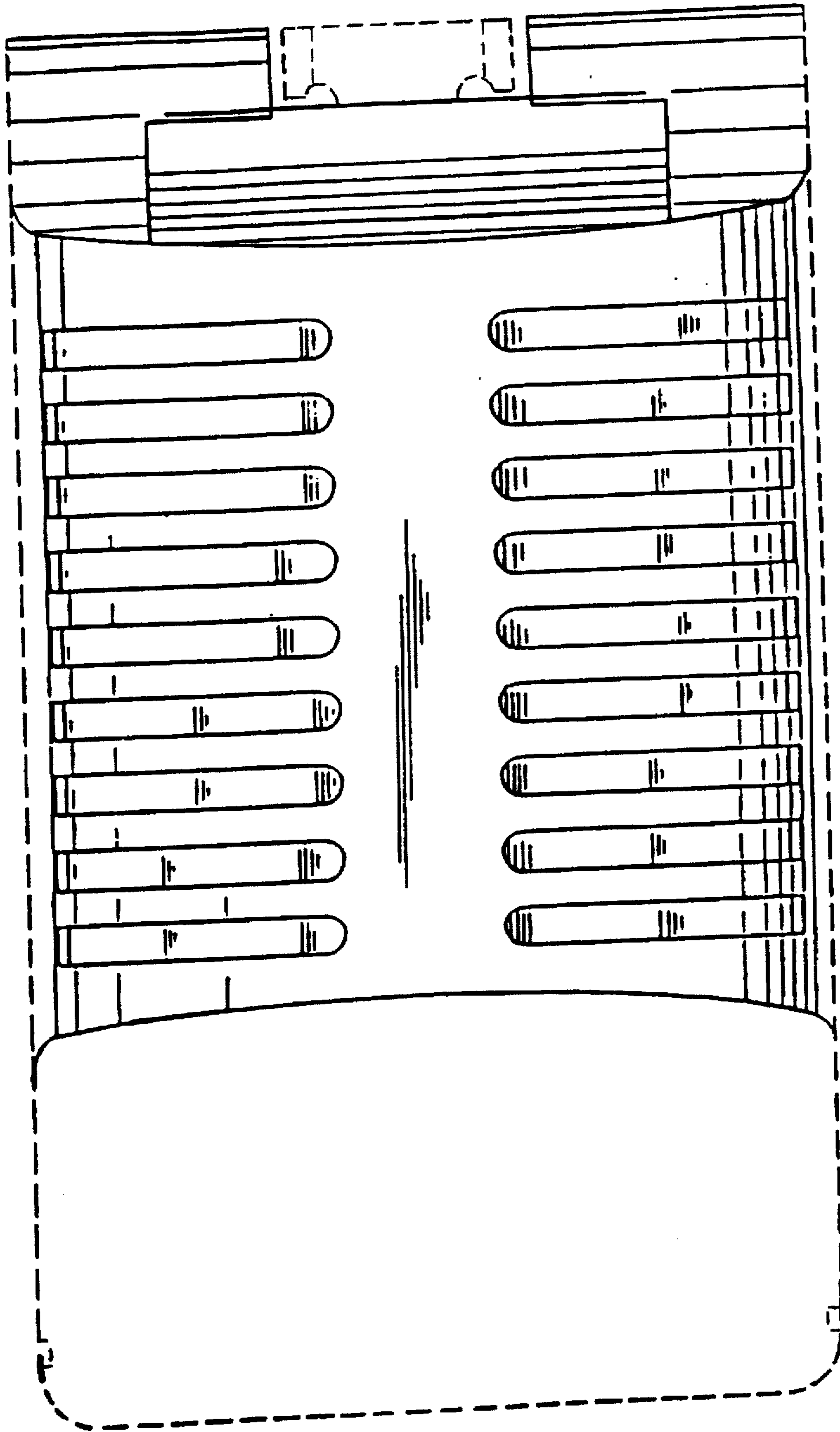


FIG. 10