



US00D390530S

# United States Patent [19] Robinson

[11] Patent Number: **Des. 390,530**  
[45] Date of Patent: **\*\*Feb. 10, 1998**

[54] **DETACHABLE ARM REST FOR MOTOR VEHICLES**

[76] Inventor: **Jimmie Robinson, 17080 NE. 23rd Ave. 6, Miami, Fla. 33160**

[\*\*] Term: **14 Years**

[21] Appl. No.: **41,889**

[22] Filed: **Jul. 26, 1995**

[51] LOC (6) Cl. .... **12-16**

[52] U.S. Cl. .... **D12/421**

[58] Field of Search ..... **D12/421; 297/411.1, 297/411.2, 411.22; 296/153**

[56] **References Cited**

**U.S. PATENT DOCUMENTS**

D. 249,673	9/1978	Cortez	.....	D12/421
1,426,767	8/1922	Spencer	.....	297/411.22
1,742,447	1/1930	McKeag	.....	297/153
2,088,709	8/1937	Lejuste	.....	297/411.22 X
2,524,659	10/1950	Gorman	.....	D12/421
3,129,974	4/1964	Carter	.....	297/411.22 X
3,603,637	9/1971	DePinto	.....	296/153
5,320,401	6/1994	Ott	.....	296/153

*Primary Examiner*—Melody N. Brown  
*Attorney, Agent, or Firm*—Herbert L. Lerner; Laurence A. Greenberg

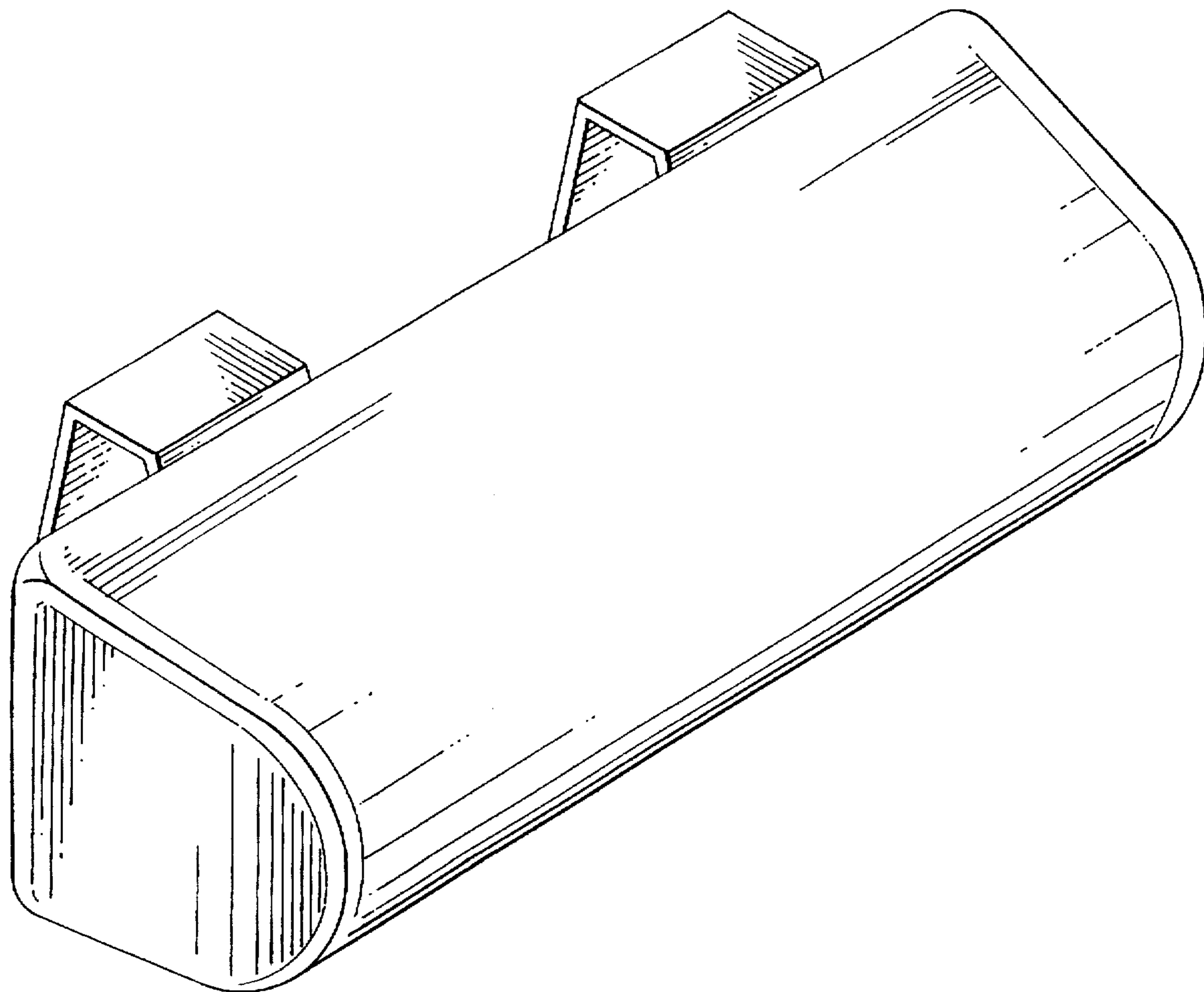
[57] **CLAIM**

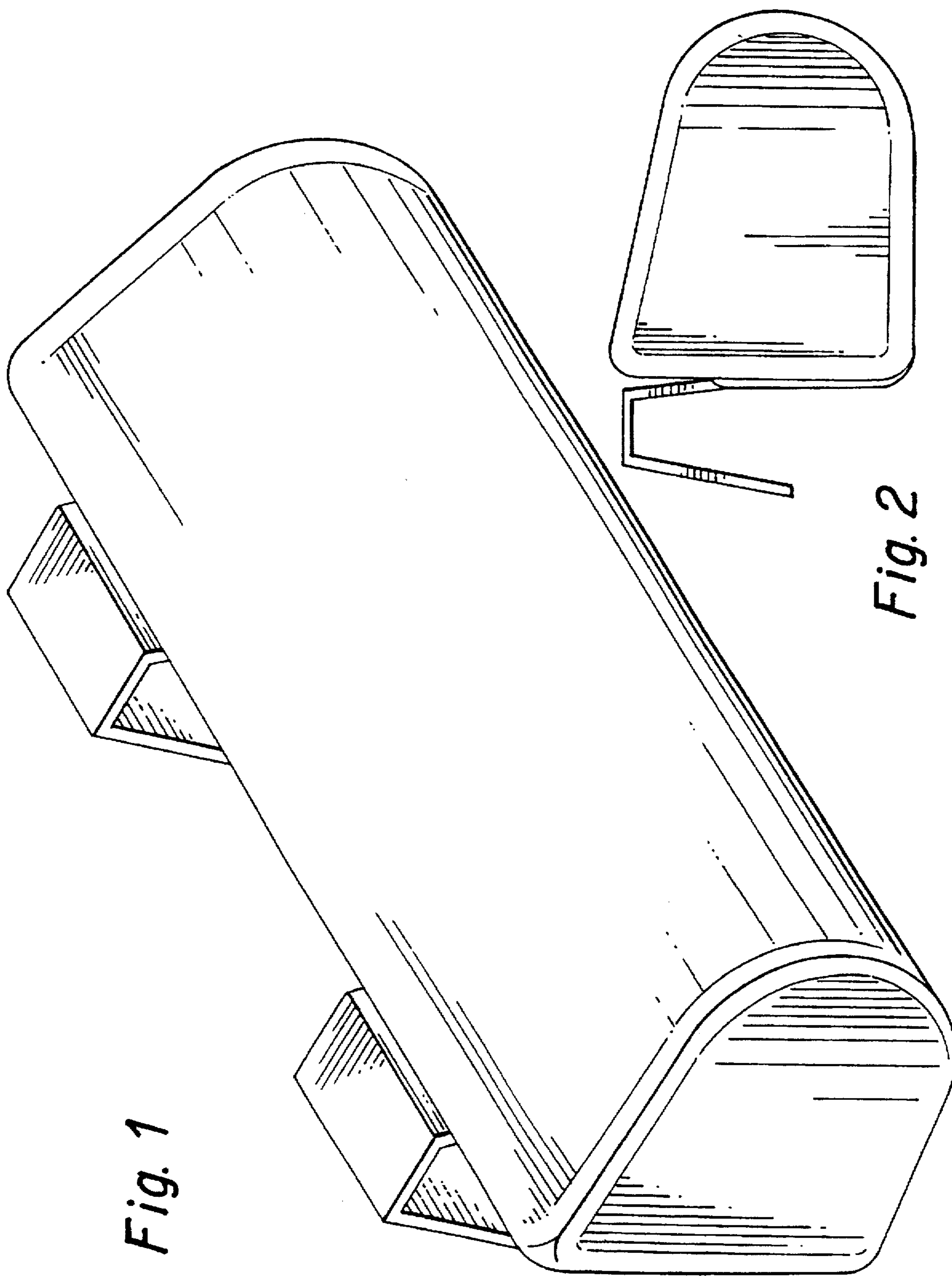
The ornamental design for a detachable arm rest for motor vehicles, as shown and described.

**DESCRIPTION**

FIG. 1 is a top, front perspective view of a detachable arm rest for motor vehicles according to my design;  
FIG. 2 is a side elevational view thereof, the opposite side being a mirror image;  
FIG. 3 is a front elevational view thereof;  
FIG. 4 is a rear elevational view thereof;  
FIG. 5 is a top plan view thereof;  
FIG. 6 is a bottom plan view thereof;  
FIG. 7 is a perspective view of a detachable arm rest for motor vehicles showing a second embodiment of my new design; and,  
FIG. 8 is a side elevational view of FIG. 7, the opposite side being a mirror image that side shown in FIG. 7.

**1 Claim, 5 Drawing Sheets**

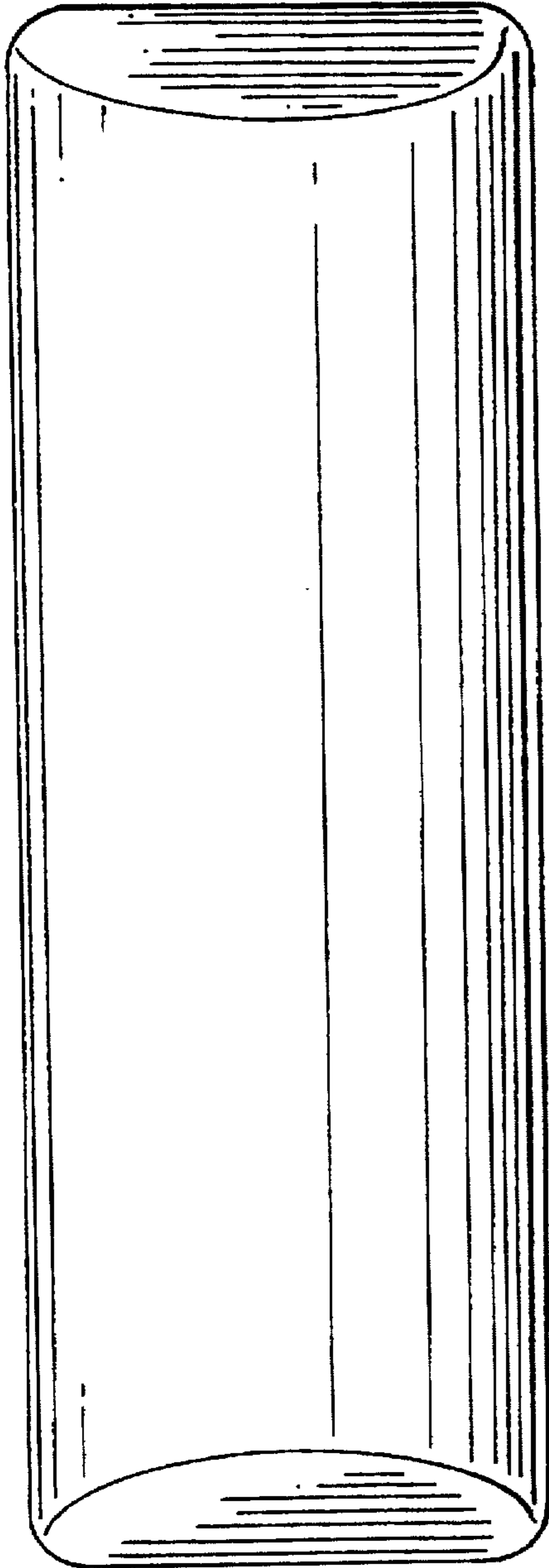




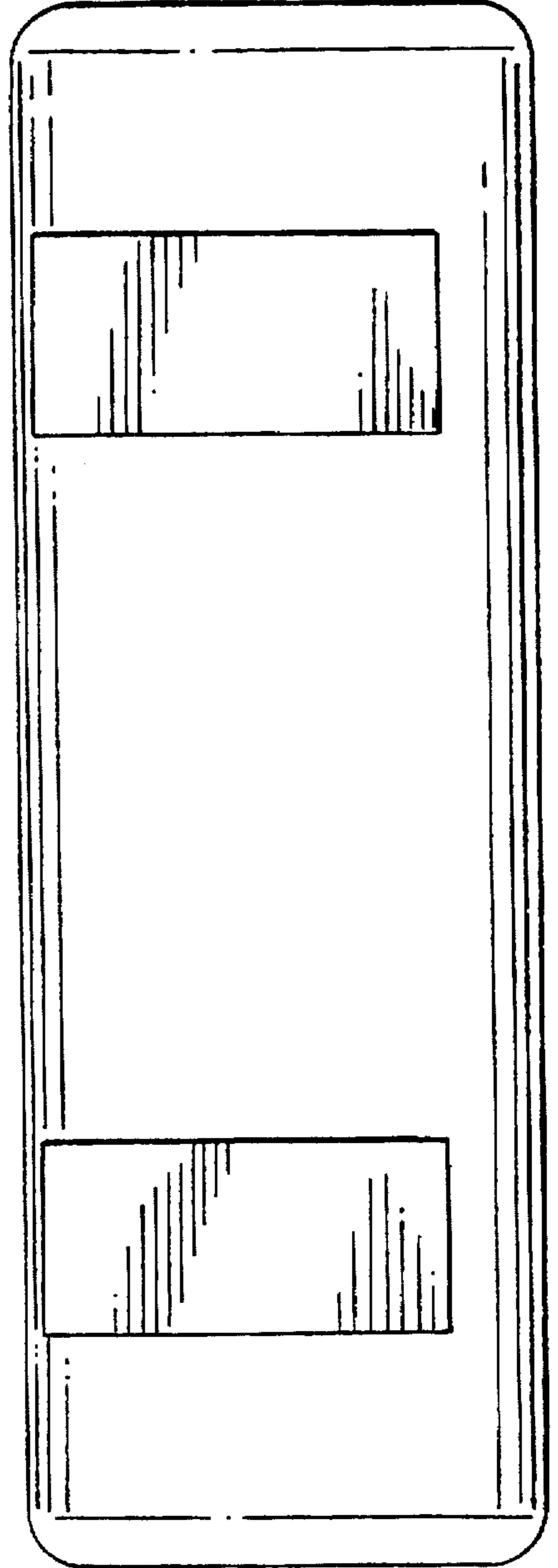
*Fig. 1*

*Fig. 2*

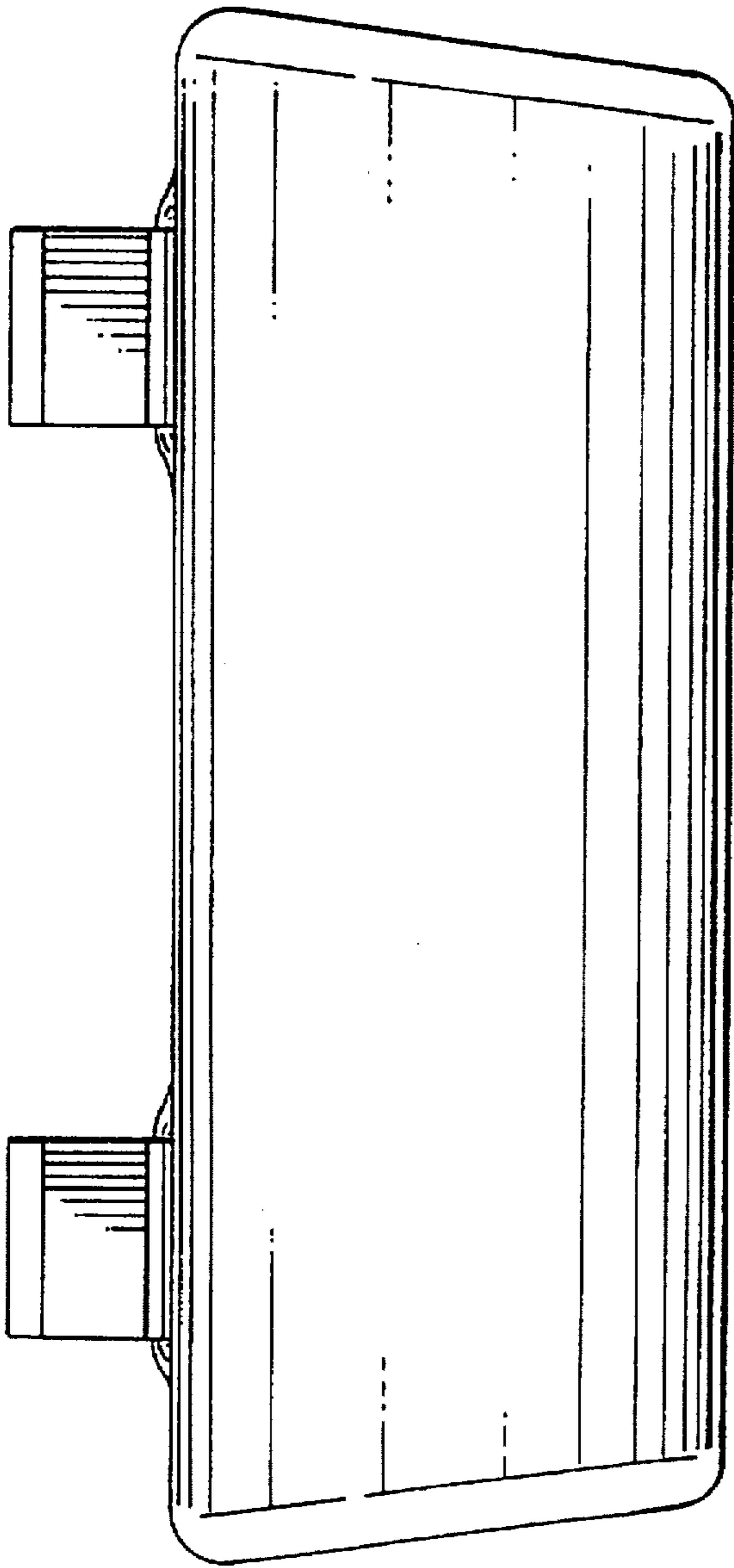
*Fig. 3*



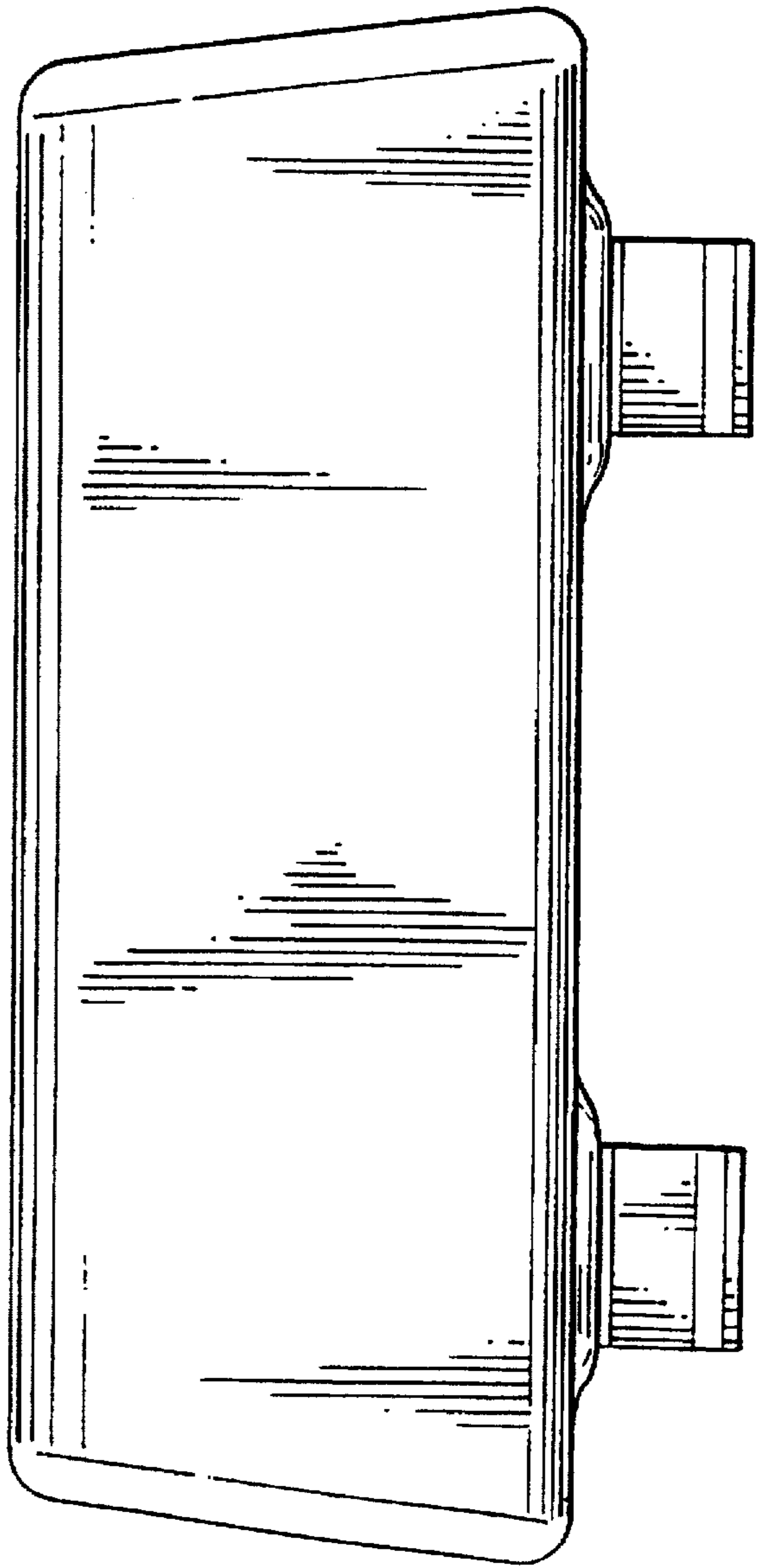
*Fig. 4*



*Fig. 5*



*Fig. 6*



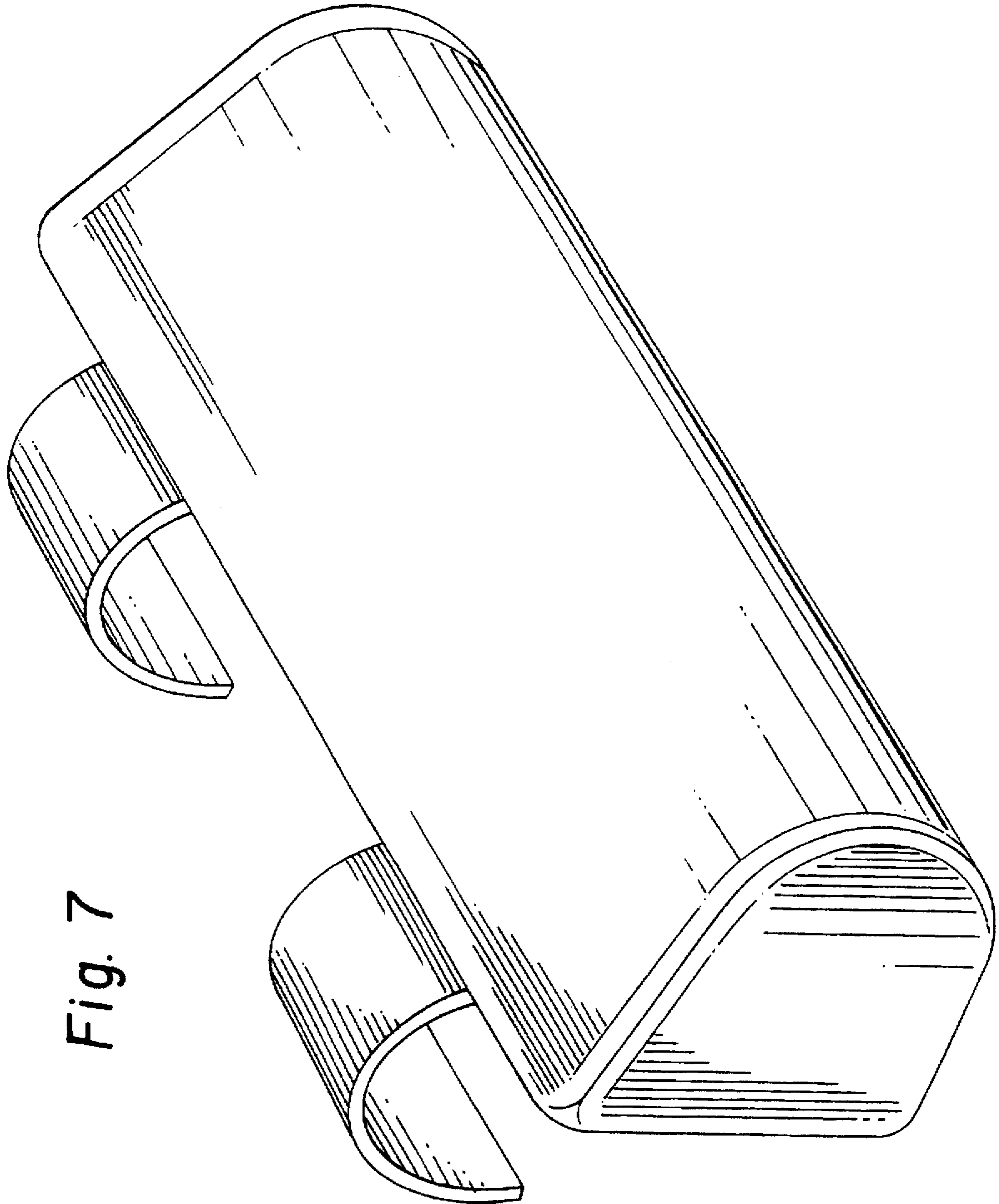


Fig. 7

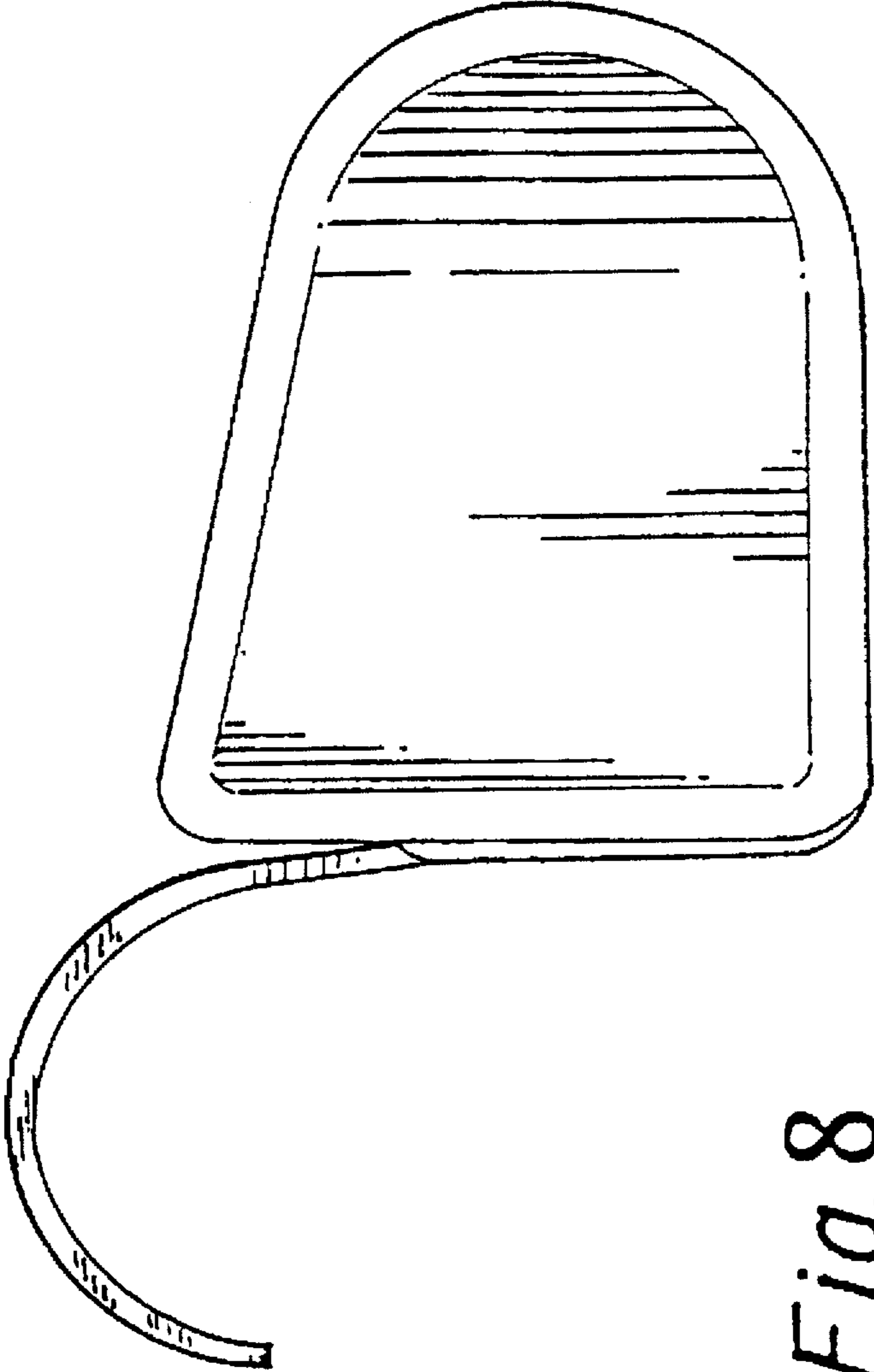


Fig. 8