



US00D390526S

United States Patent [19]
Kirtland

[11] **Patent Number: Des. 390,526**
[45] **Date of Patent: **Feb. 10, 1998**

[54] **PORTABLE CHOCK BLOCK HOLDER**

Primary Examiner—Holly Baynham

[76] **Inventor: Kenneth Paul Kirtland, 90 Los Cabos La., Ventura, Calif. 93001**

[57] **CLAIM**

[**] **Term: 14 Years**

The ornamental design for a portable chock block holder, as shown and described.

[21] **Appl. No.: 63,017**

DESCRIPTION

[22] **Filed: Nov. 21, 1996**

FIG. 1 is a front elevational view of the portable chock block holder showing my new design;

[51] **LOC (6) Cl. 12-06**

FIG. 2 is a rear elevational view thereof;

[52] **U.S. Cl. D12/223; D8/349**

FIG. 3 is a right side view thereof;

[58] **Field of Search D8/349, 354, 380, D8/373; 248/50, 99, 174, 176, 317, 327; 211/70.1; D12/223**

FIG. 4 is a left side view thereof;

FIG. 5 is a top plan view thereof; and,

FIG. 6 is a bottom plan view thereof.

The straps shown in FIGS. 1, 2, 5 and 6 are shown broken away to indicate indeterminate length.

[56] **References Cited**

U.S. PATENT DOCUMENTS

D. 356,943 4/1995 Buford D8/373

1 Claim, 3 Drawing Sheets

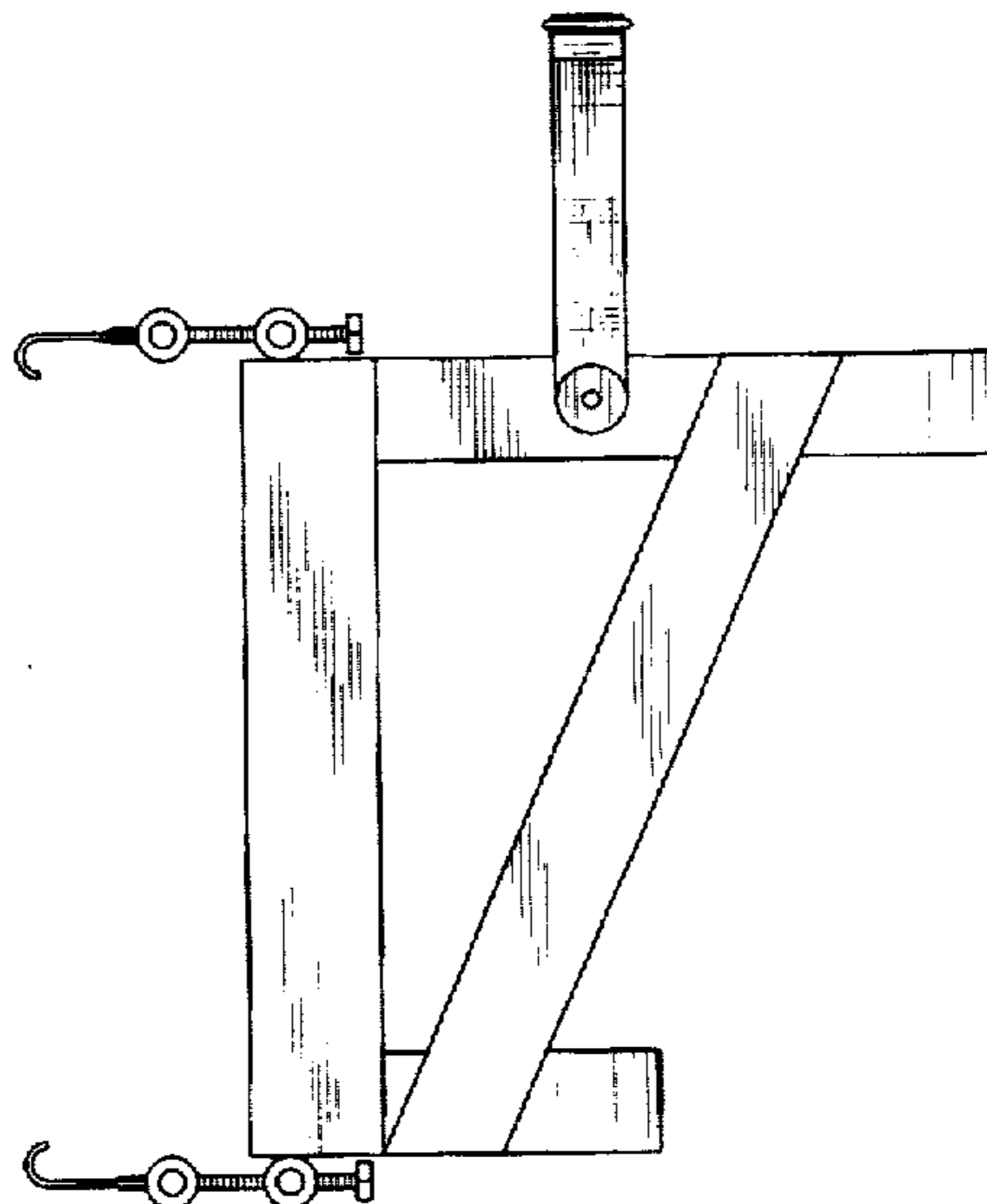
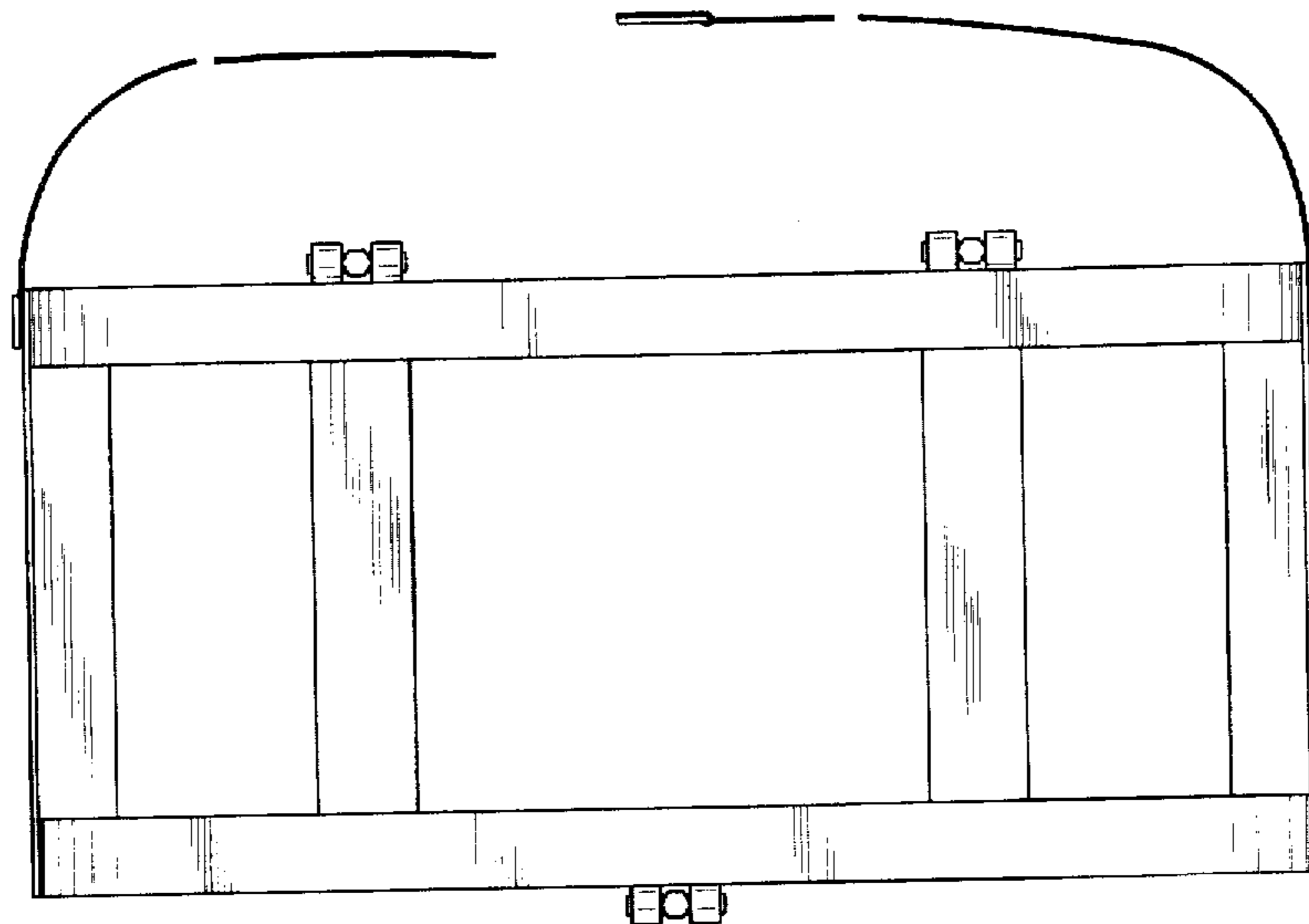


FIG. 1

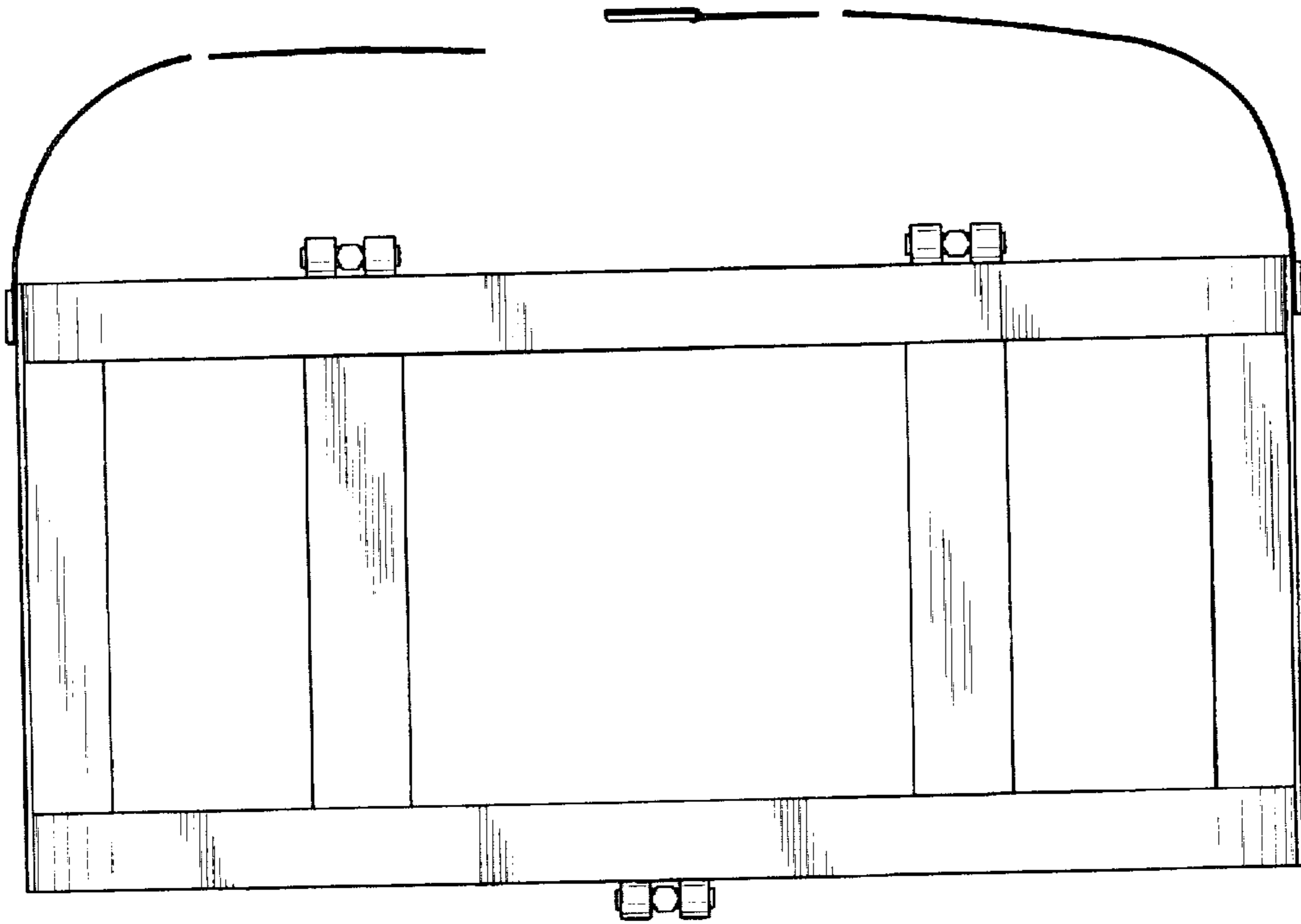


FIG. 2

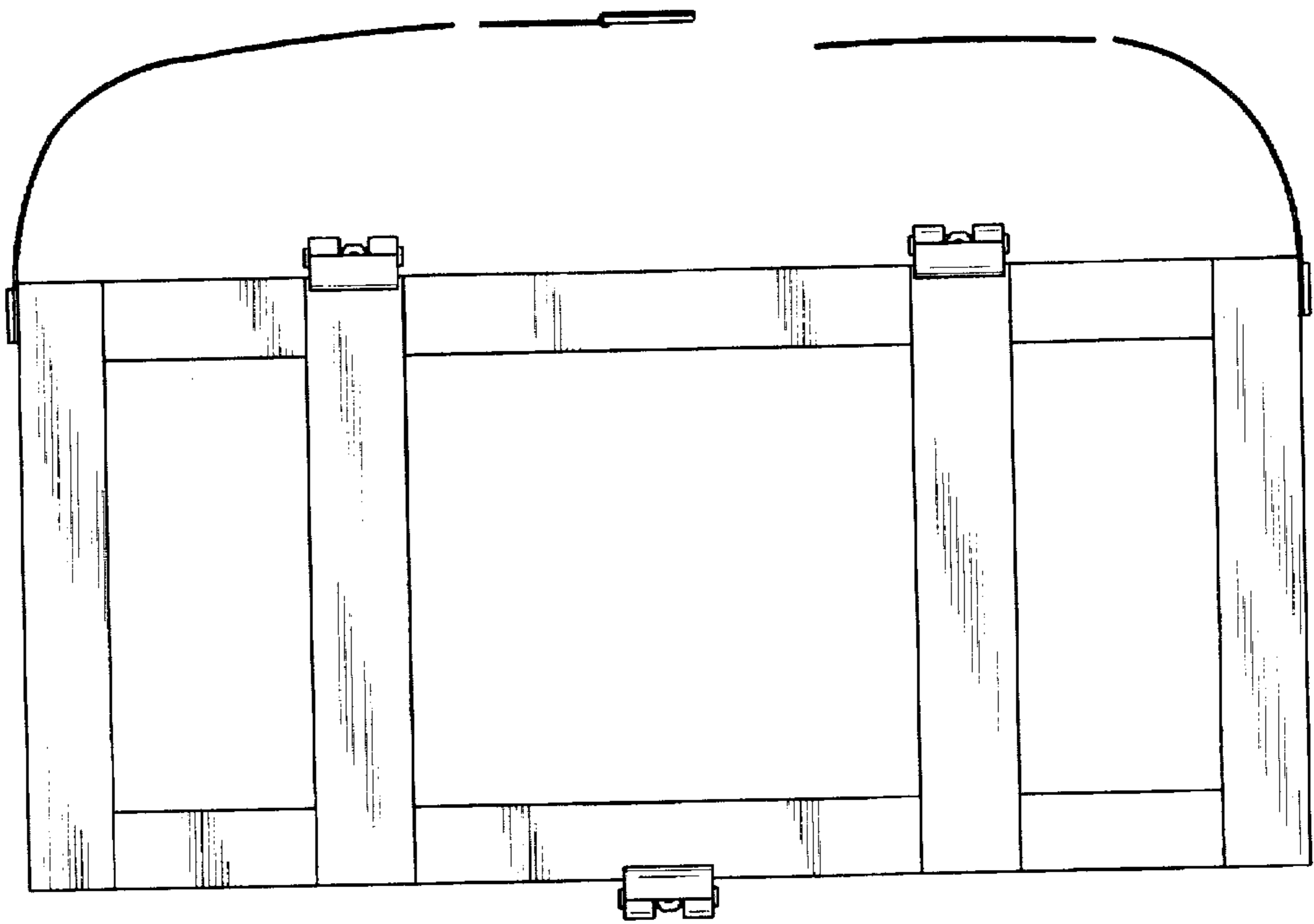


FIG. 3

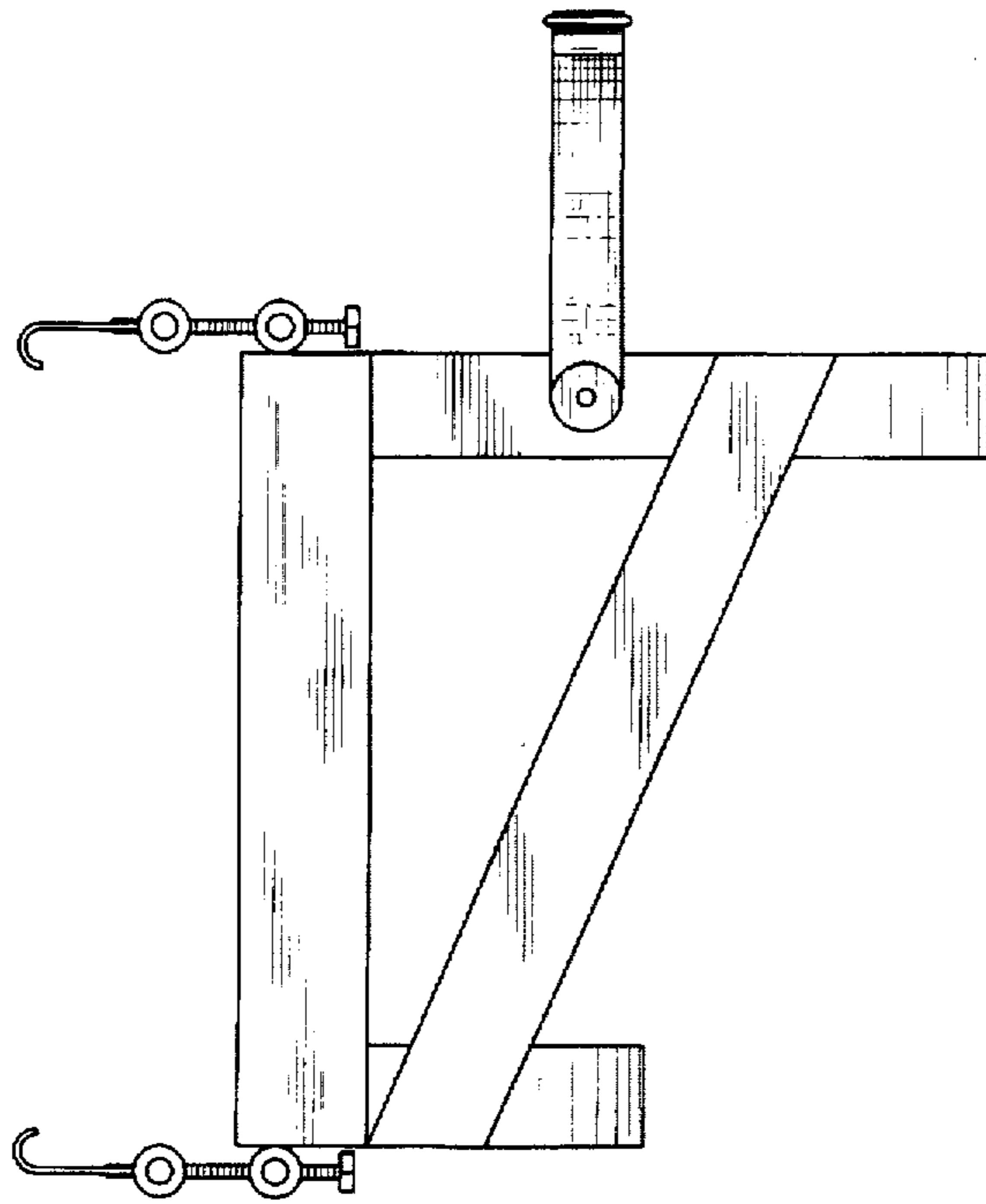


FIG. 4

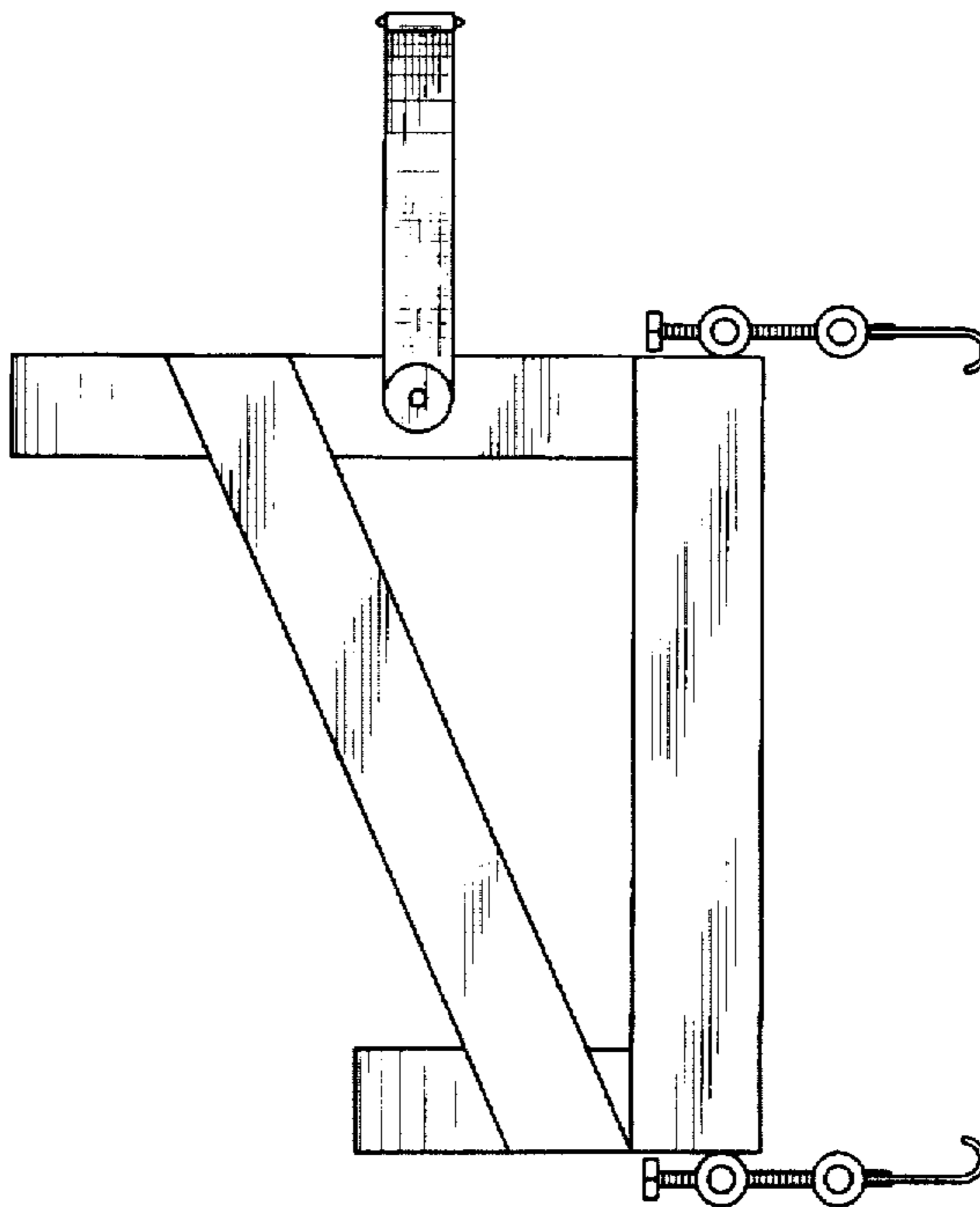


FIG. 5

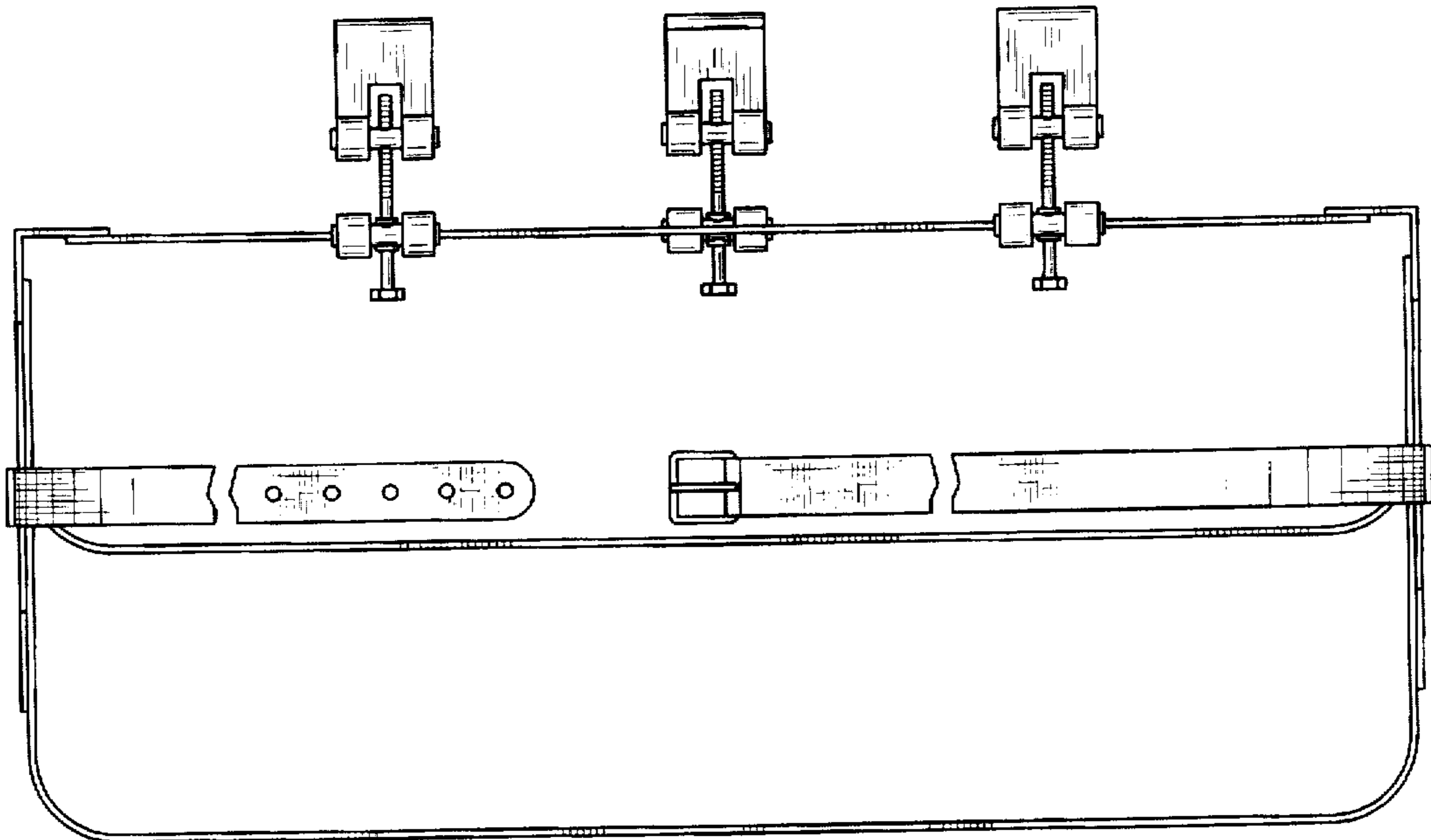


FIG. 6

