



US00D390523S

United States Patent [19]

Bradley

[11] Patent Number: **Des. 390,523**

[45] Date of Patent: ****Feb. 10, 1998**

[54] ADJUSTABLE CONVEX MIRROR

[76] Inventor: **John E. Bradley**, 17751 Panama City Beach Pkwy., Unit 18-C, Panama City Beach, Fla. 32413

[**] Term: **14 Years**

[21] Appl. No.: **69,180**

[22] Filed: **Apr. 14, 1997**

[51] LOC (6) Cl. **12-16**

[52] U.S. Cl. **D12/187**

[58] Field of Search D12/187, 188, D12/189; 359/629, 838, 841, 842, 844-846, 850, 854-855, 864-866, 868, 871-873, 875, 879, 880, 881, 848; 248/74.3, 302-303, 475.1, 475 R, 479-480, 485-487, 476; D8/370

[56] References Cited

U.S. PATENT DOCUMENTS

D. 274,054	5/1984	Barows .	
D. 281,775	12/1985	Tanaka	D12/187
D. 293,903	1/1988	Kolenda et al.	D12/187
D. 300,312	3/1989	Skogler et al.	D12/188
D. 305,808	1/1990	Eisenbraun et al. .	
D. 332,246	1/1993	Yeh	D12/187
D. 346,356	4/1994	Leu	D12/187
D. 375,926	11/1996	Snyder	D12/187
2,869,425	1/1959	Kershaw	359/854
2,895,380	7/1959	Kurlytis .	
4,187,001	2/1980	Redwitz et al. .	
4,311,363	1/1982	Marsalka et al. .	
4,488,778	12/1984	Polzer et al. .	
4,637,694	1/1987	Castaneda .	
4,776,231	10/1988	Cummins et al. .	

4,832,476	5/1989	Gabrielyan .	
4,890,908	1/1990	Casey .	
4,892,401	1/1990	Kittridge et al. .	
4,906,088	3/1990	Casey .	
5,044,739	9/1991	do Espirito Santo .	
5,165,081	11/1992	Drumheller .	
5,198,938	3/1993	Ward .	
5,321,556	6/1994	Joe	359/854

OTHER PUBLICATIONS

Photographs A-E of a convex mirror distributed by Peterson Manufacturing Co., 4200 East 135th Street, Grandview, MO.

Photographs F and G of a convex mirror marked with Patent No. D 305,808.

Primary Examiner—Ralf Seifert

Attorney, Agent, or Firm—Fitch, Even, Tabin & Flannery

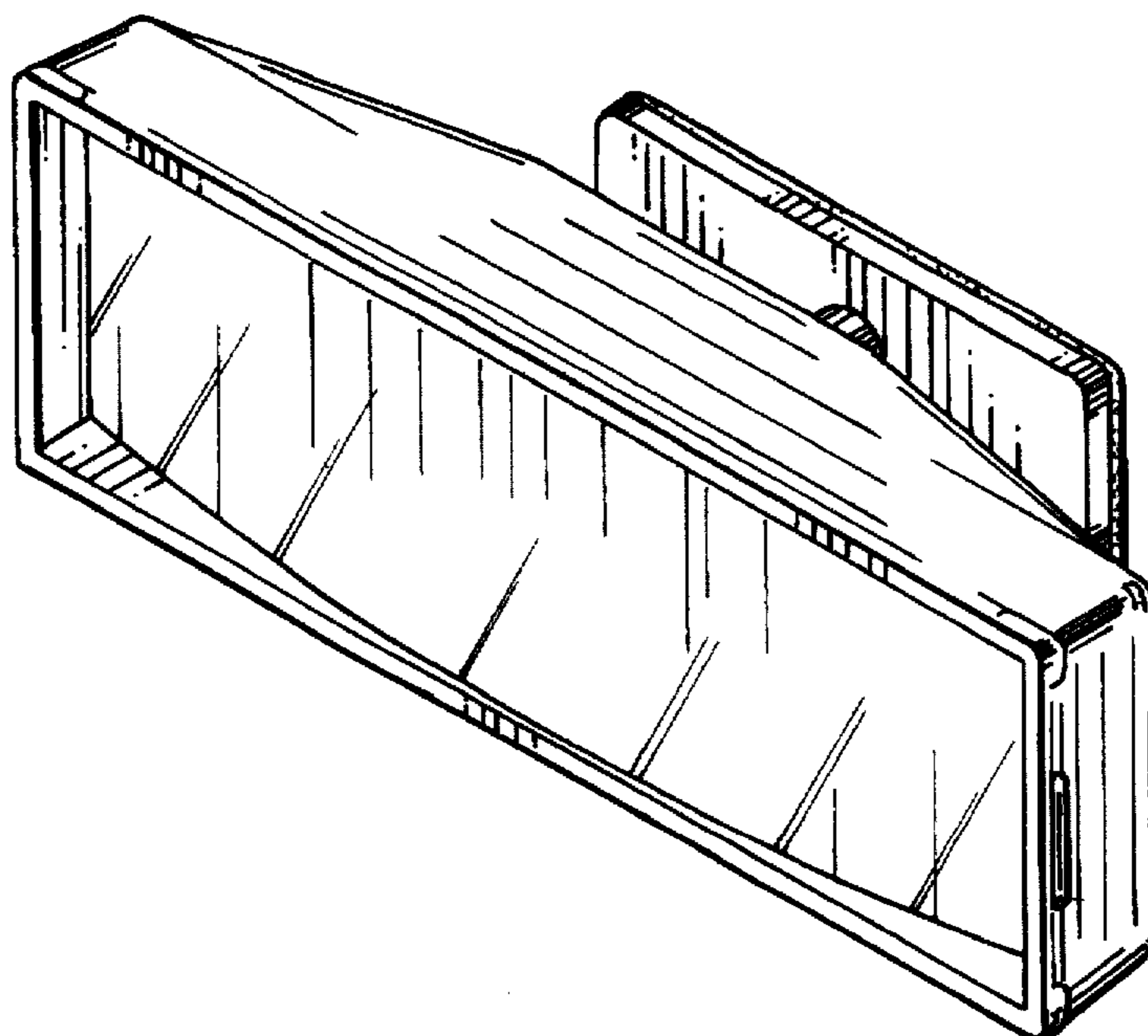
[57] CLAIM

The ornamental design for an adjustable convex mirror, as shown and described.

DESCRIPTION

FIG. 1 is a side perspective view of an adjustable convex mirror showing my new design;
 FIG. 2 is a front elevational view thereof;
 FIG. 3 is a top plan view thereof;
 FIG. 4 is a bottom plan view thereof;
 FIG. 5 is a rear elevational view thereof;
 FIG. 6 is a side elevational view;
 FIG. 7 is a second side elevational view opposite the side shown in FIG. 6; and,
 FIG. 8 is a front elevational view with the front reflective mirror panel removed.

1 Claim, 2 Drawing Sheets



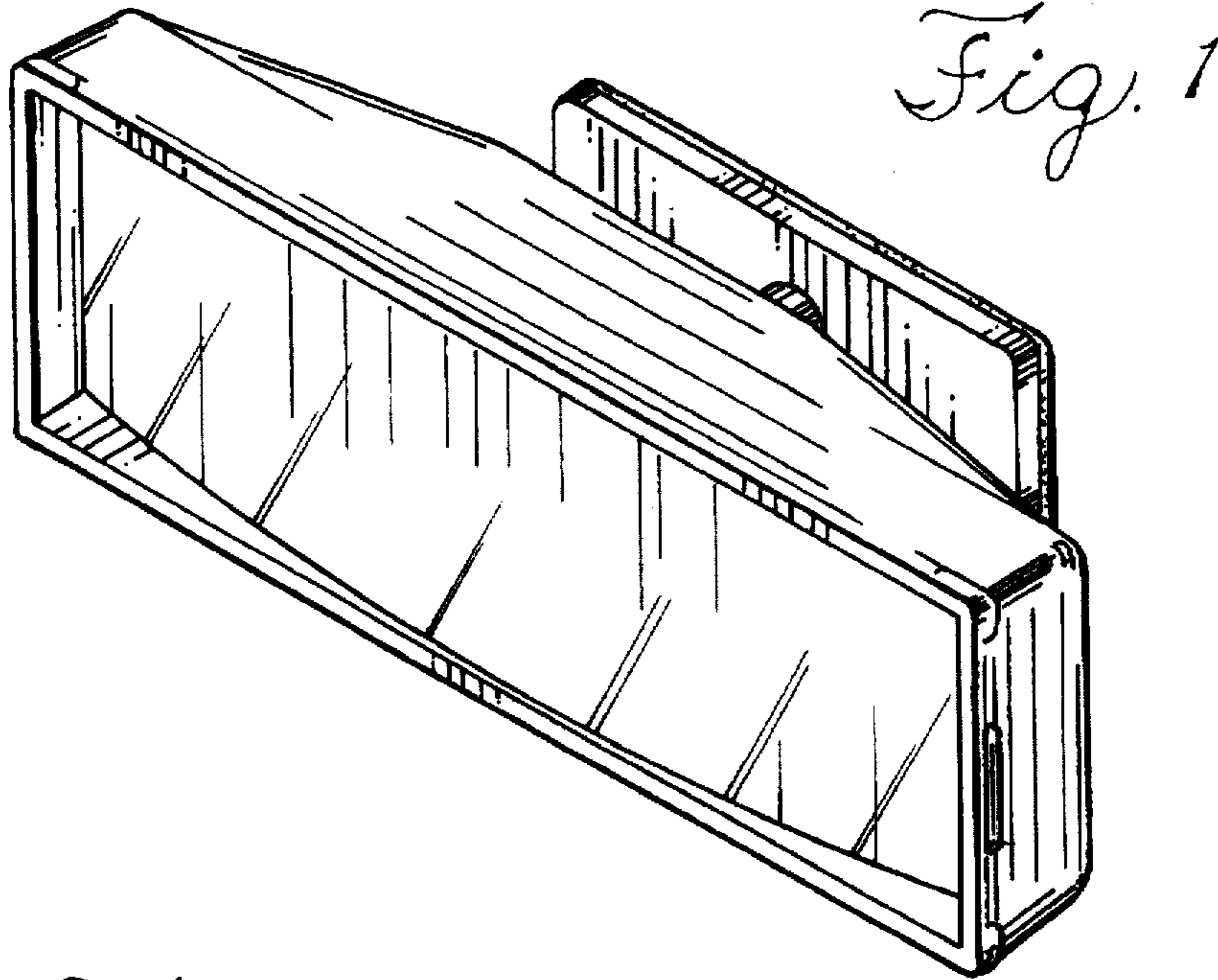


Fig. 1

Fig. 2

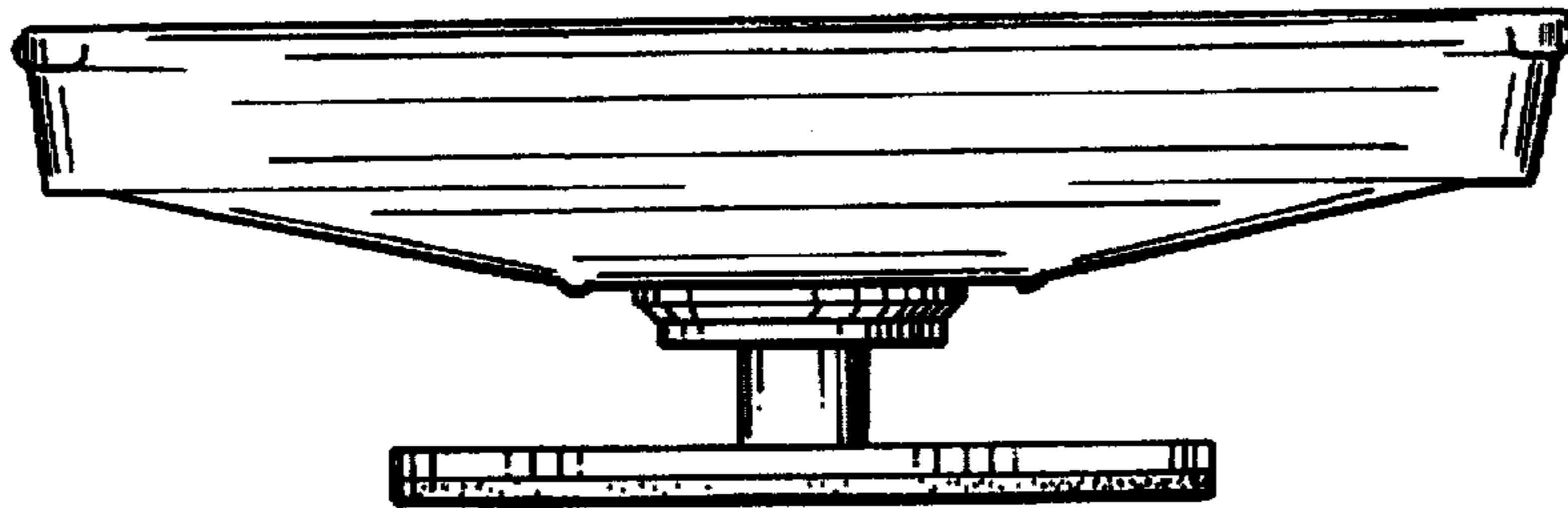
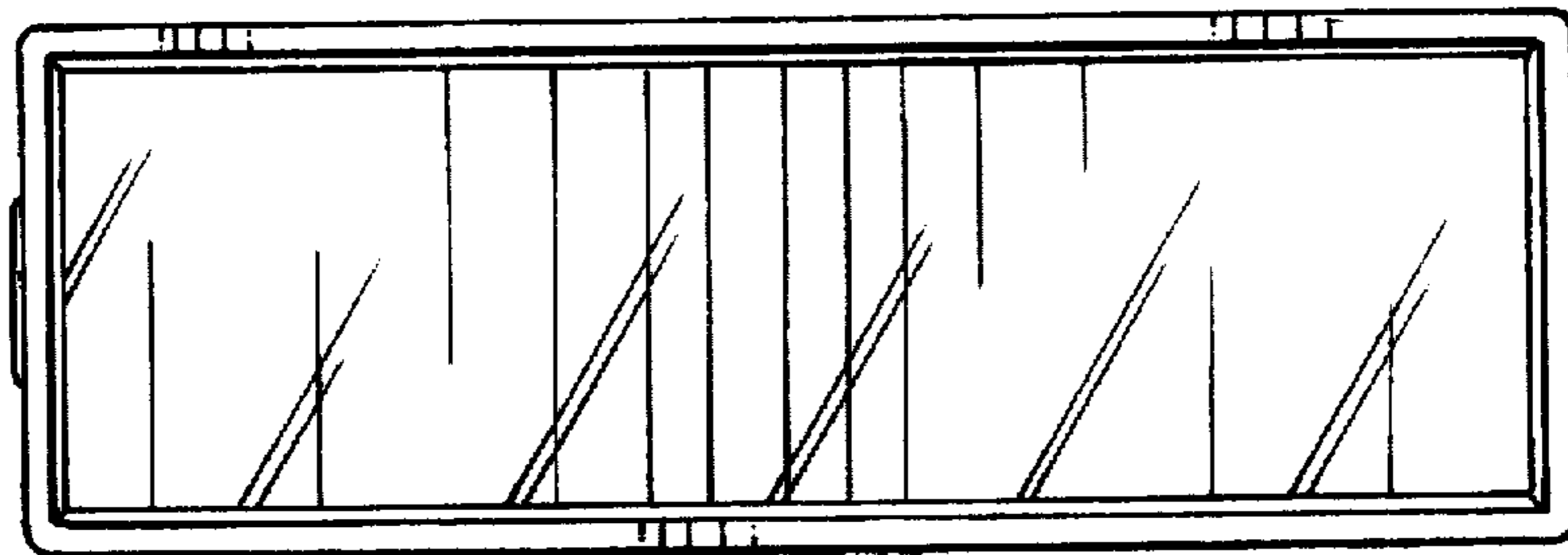


Fig. 3

Fig. 4

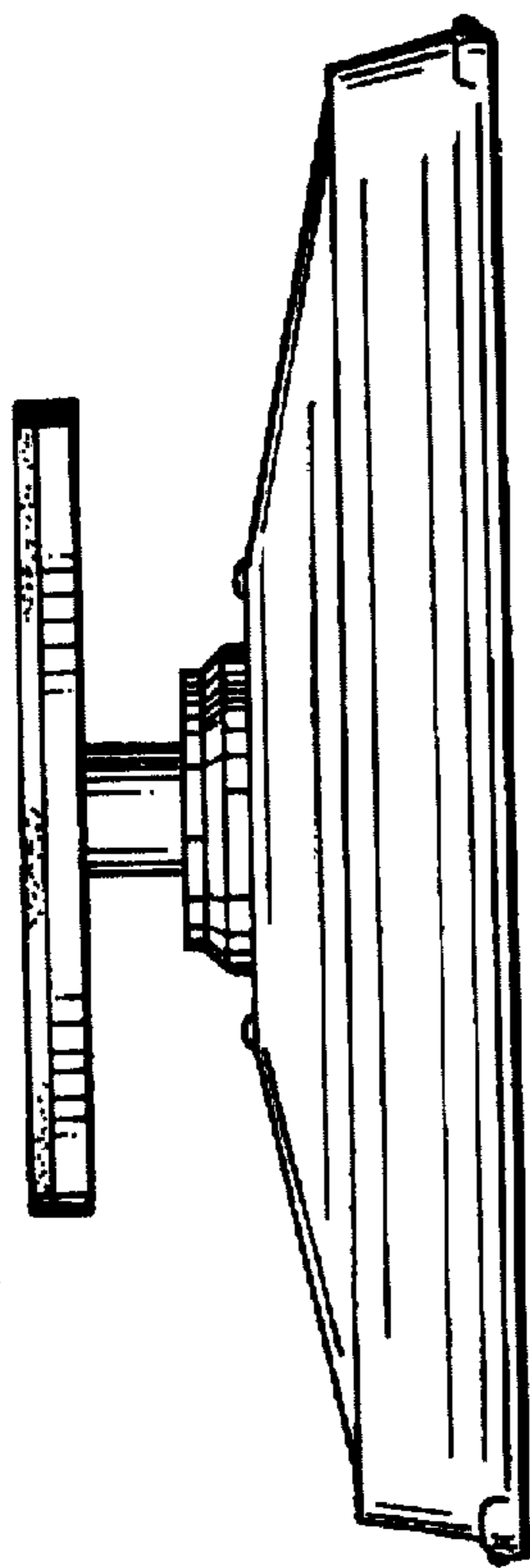


Fig. 7

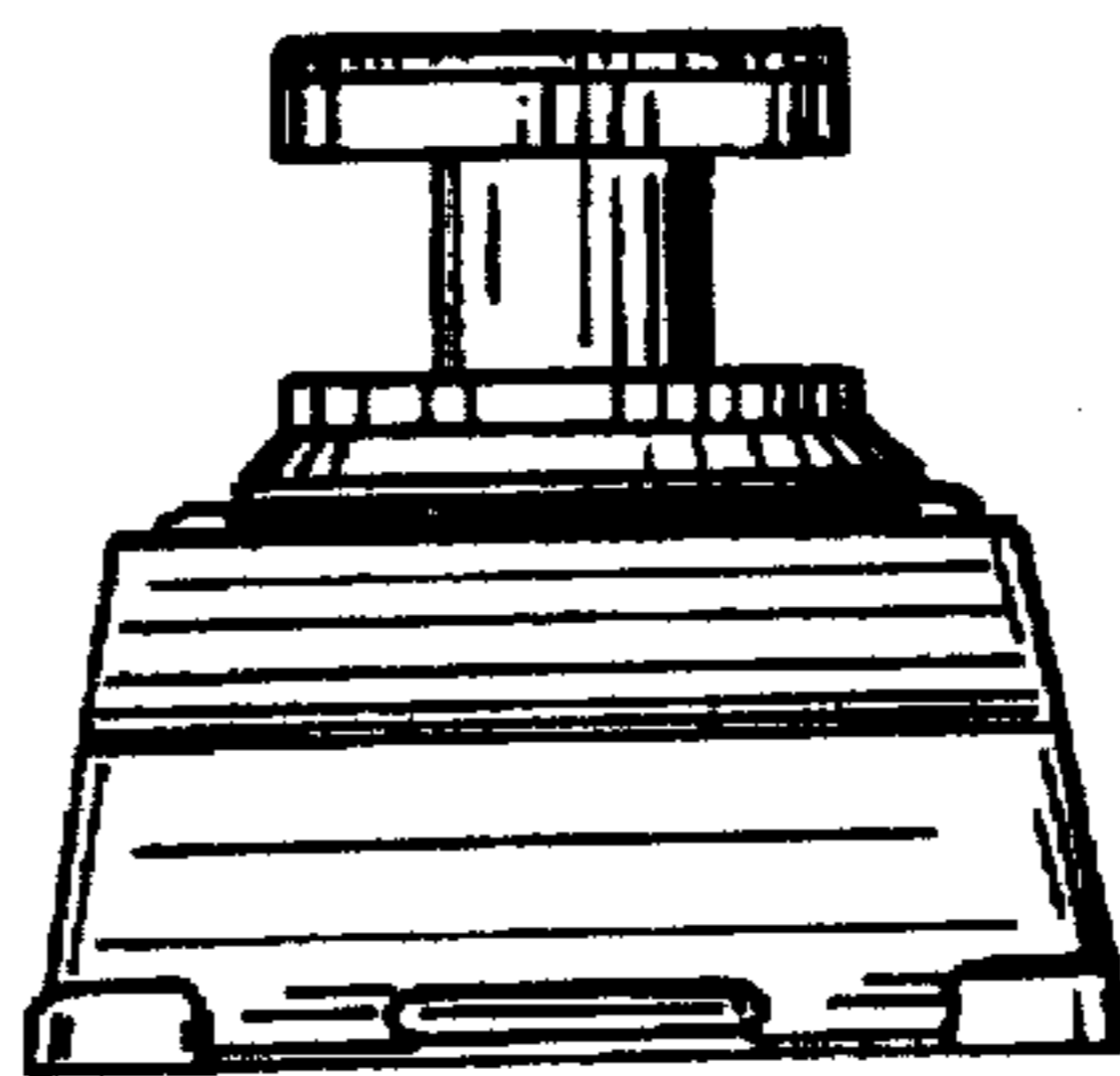


Fig. 8

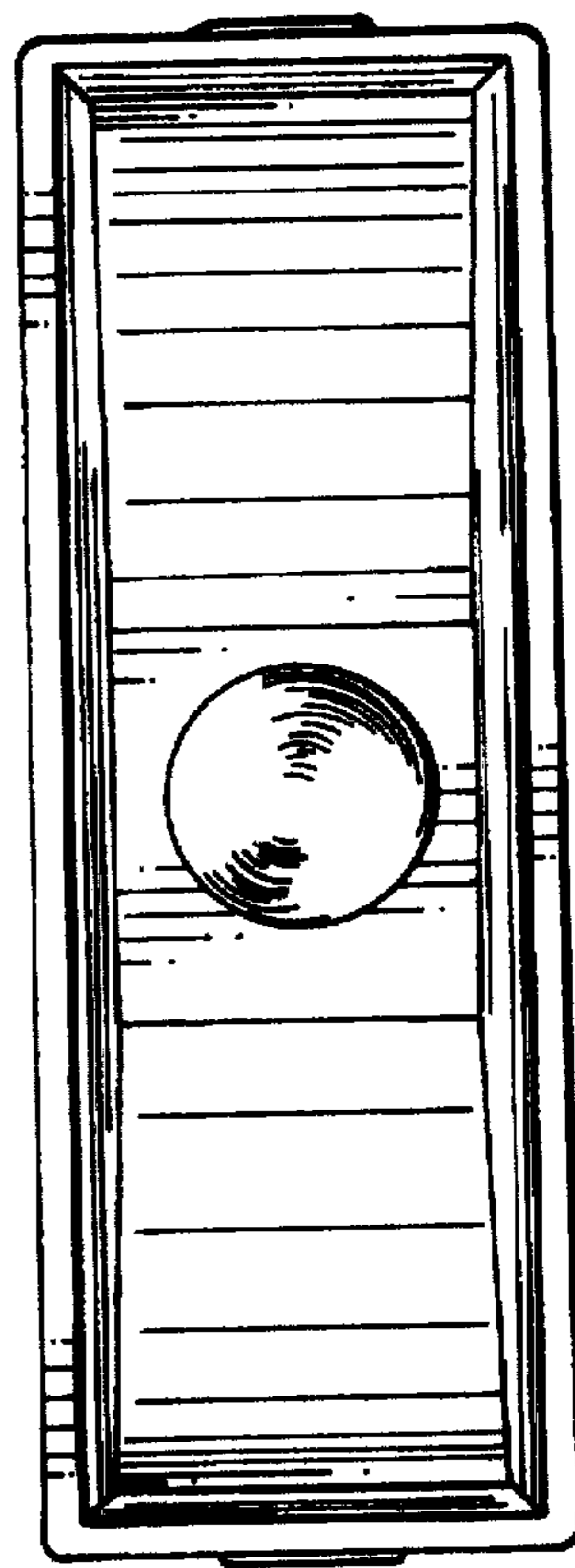


Fig. 5

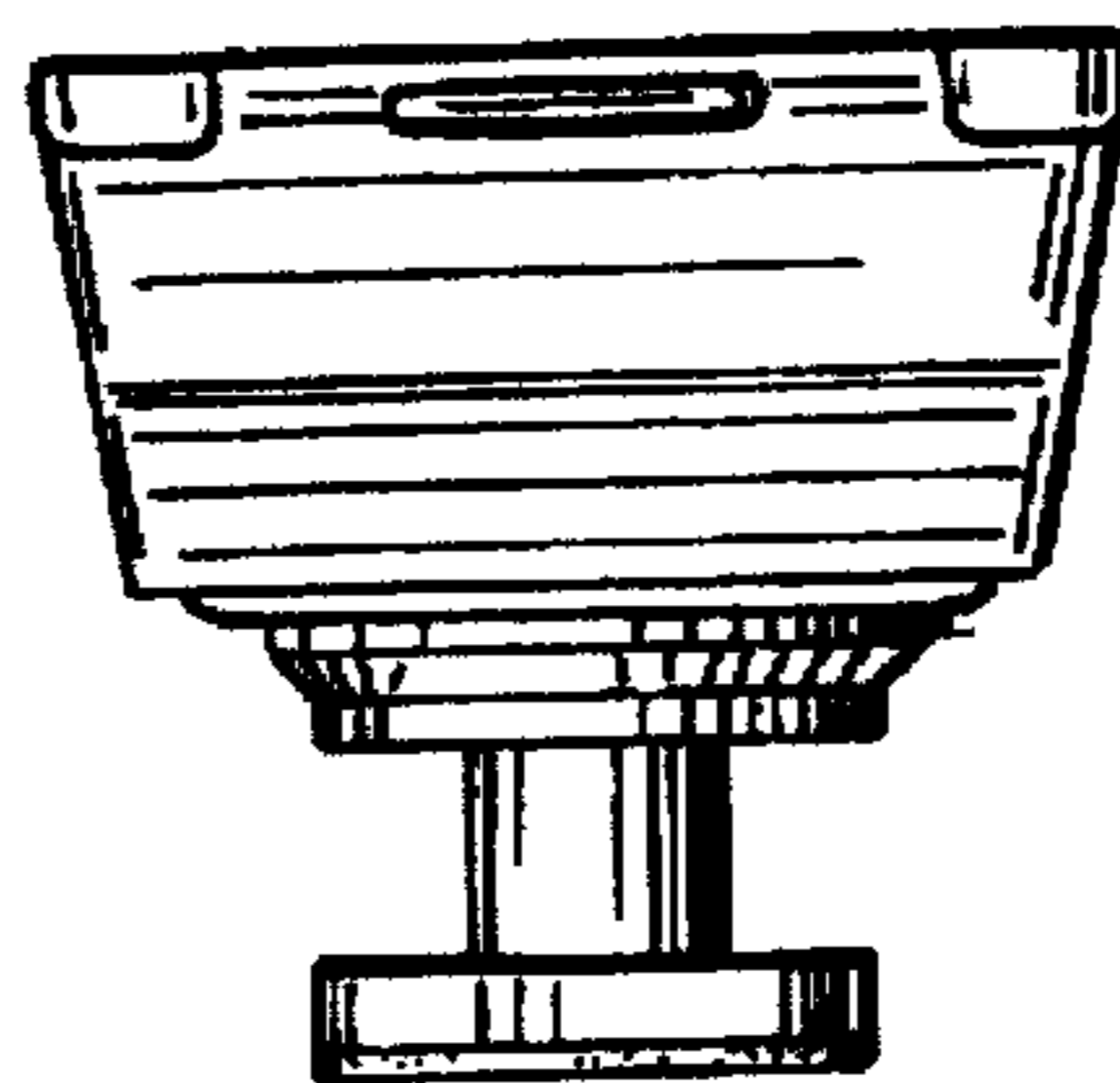
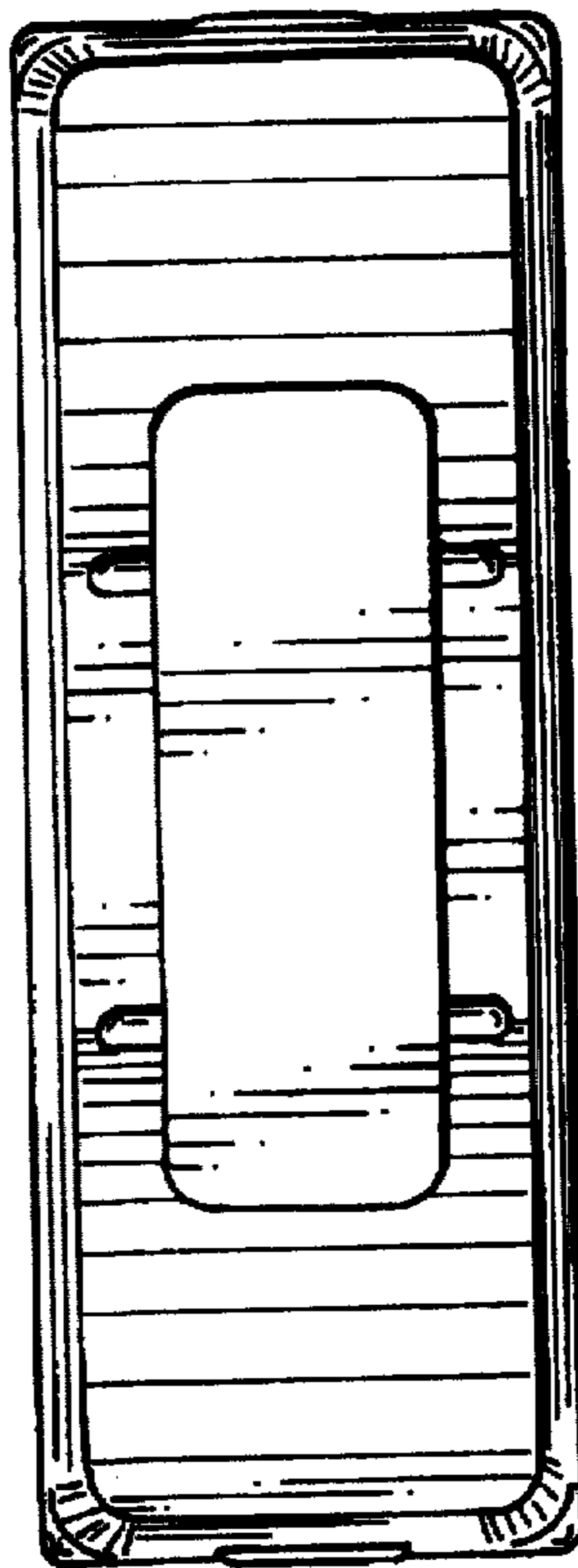


Fig. 6