



US00D390521S

United States Patent [19]

Hellhake et al.

[11] Patent Number: Des. 390,521

[45] Date of Patent: **Feb. 10, 1998

[54] REAR WHEEL SPLASH GUARD FOR A TRUCK

[75] Inventors: Ferdinand F. Hellhake, Beaverton; Mark S. Hurayt, Aloha, both of Oreg.

[73] Assignee: Freightliner Corporation, Portland, Oreg.

[**] Term: 14 Years

[21] Appl. No.: 55,726

[22] Filed: Apr. 25, 1996

[51] LOC (6) Cl. 12-16

[52] U.S. Cl. D12/185

[58] Field of Search D12/185; 280/847, 280/848, 849, 850, 851

[56] References Cited

U.S. PATENT DOCUMENTS

D. 316,994	5/1991	Anania	D12/185
4,138,129	2/1979	Morris	280/847
4,436,319	3/1984	Clutter	280/851
4,621,824	11/1986	Arenhold	280/851
4,706,981	11/1987	Dorwat	280/851
4,817,976	4/1989	Kingsley	280/848 X
4,921,276	5/1990	Morin	280/851
5,613,710	3/1997	Waner	280/848

Primary Examiner—Melody N. Brown
Attorney, Agent, or Firm—Klarquist Sparkman Campbell Leigh & Winston

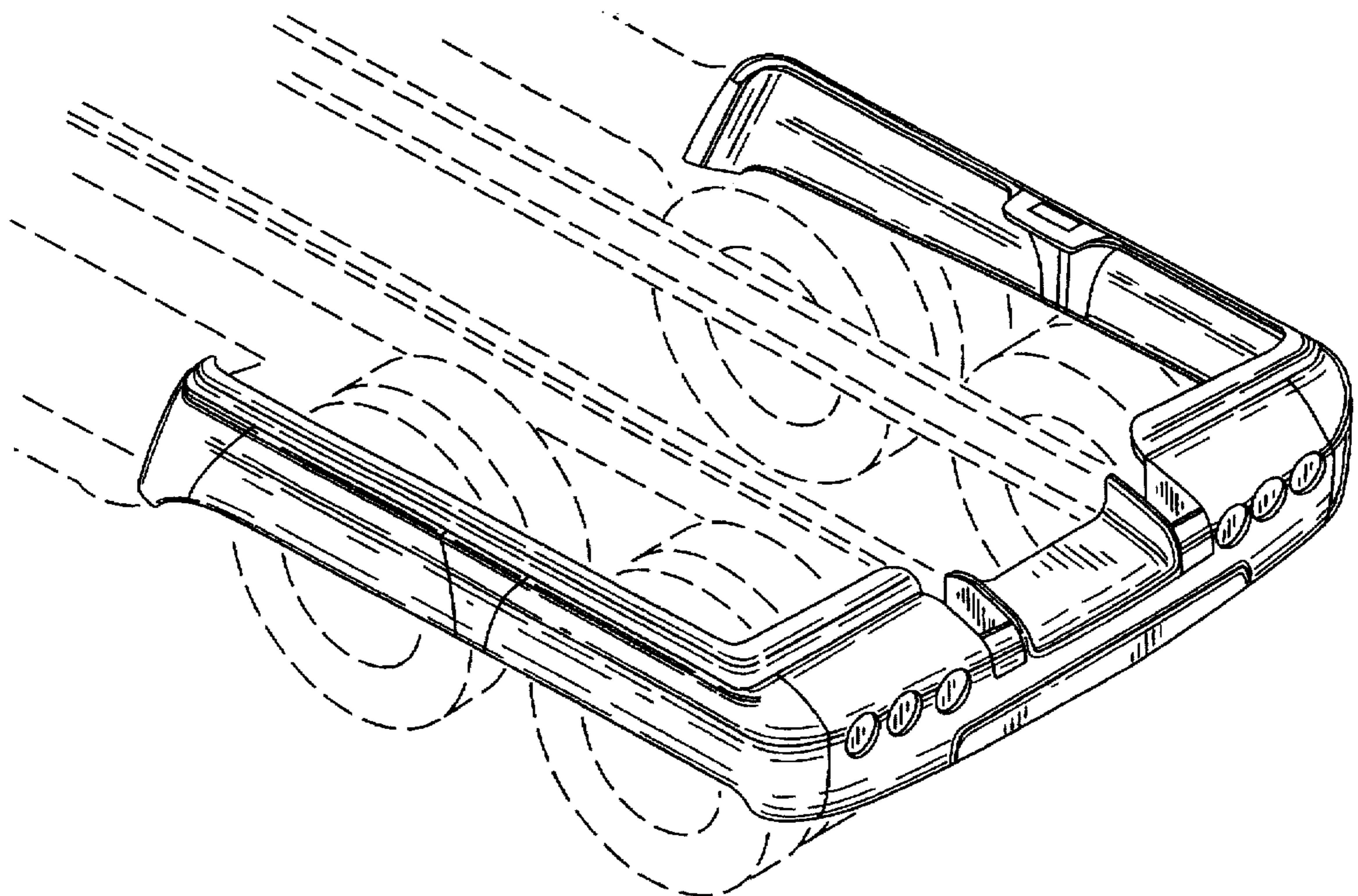
[57] CLAIM

The ornamental design for a rear wheel splash guard for a truck, as shown and described.

DESCRIPTION

FIG. 1 is a perspective view of a rear wheel splash guard for trucks in accordance with the present invention looking from the upper right, it being understood that the truck shown in dashed lines in FIG. 1 forms no part of the design; FIG. 2 is a side view of the rear wheel truck splash guard of FIG. 1, it being understood that the opposite side view is a mirror image of the view shown in FIG. 2 and it being further understood that the truck shown in dashed lines in FIG. 1 forms no part of the design; FIG. 3 is a front view of the splash guard of FIG. 1 looking from the position behind the truck; FIG. 4 is a back view of the splash guard of FIG. 1 looking from the opposite direction of that shown in FIG. 3; FIG. 5 is a top view of the splash guard of FIG. 1, it being understood that the truck shown in dashed lines in FIG. 1 forms no part of the design; and, FIG. 6 is a bottom view of the splash guard of FIG. 1, it being understood that the truck shown in dashed lines in FIG. 1 forms no part of the design.

1 Claim, 2 Drawing Sheets



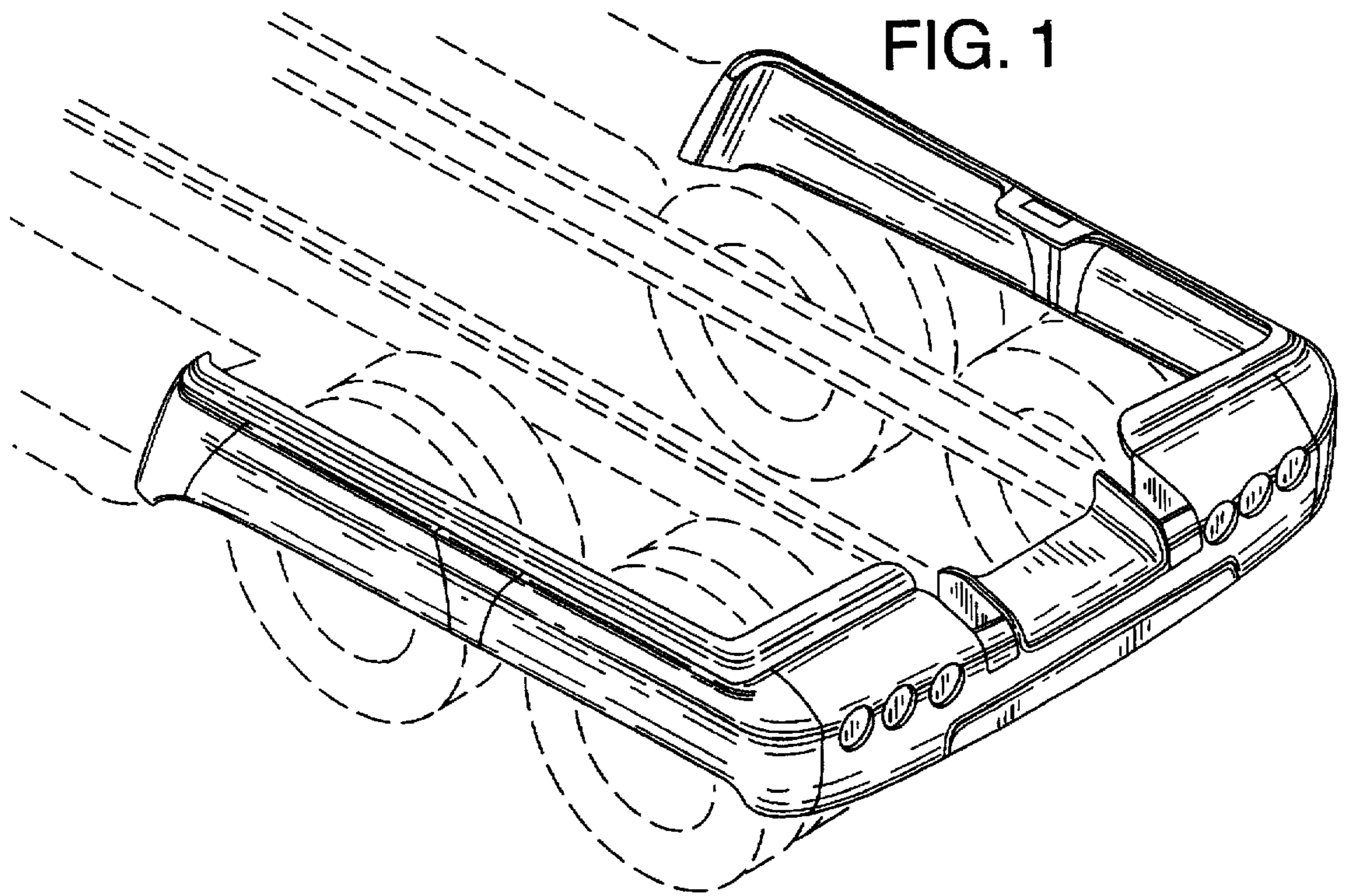


FIG. 2

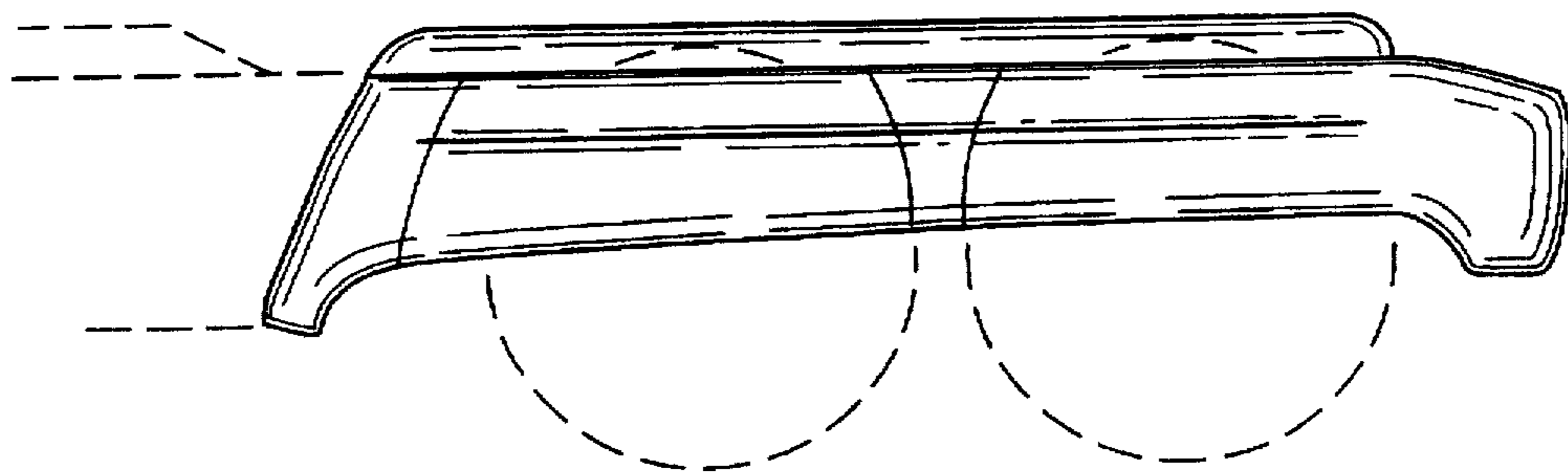


FIG. 3

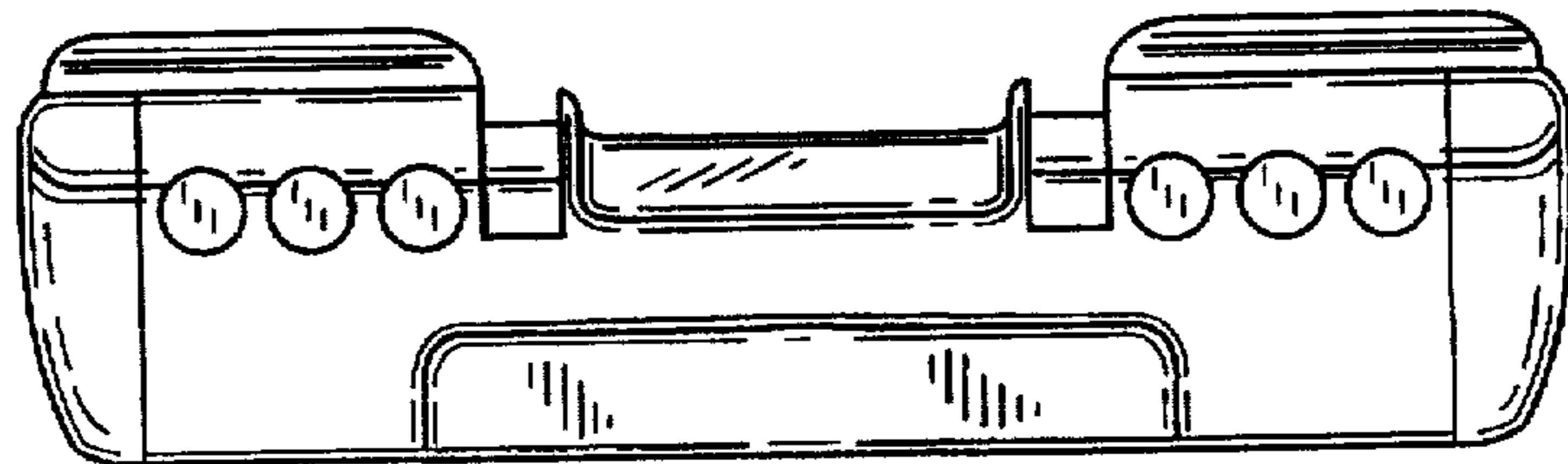


FIG. 4

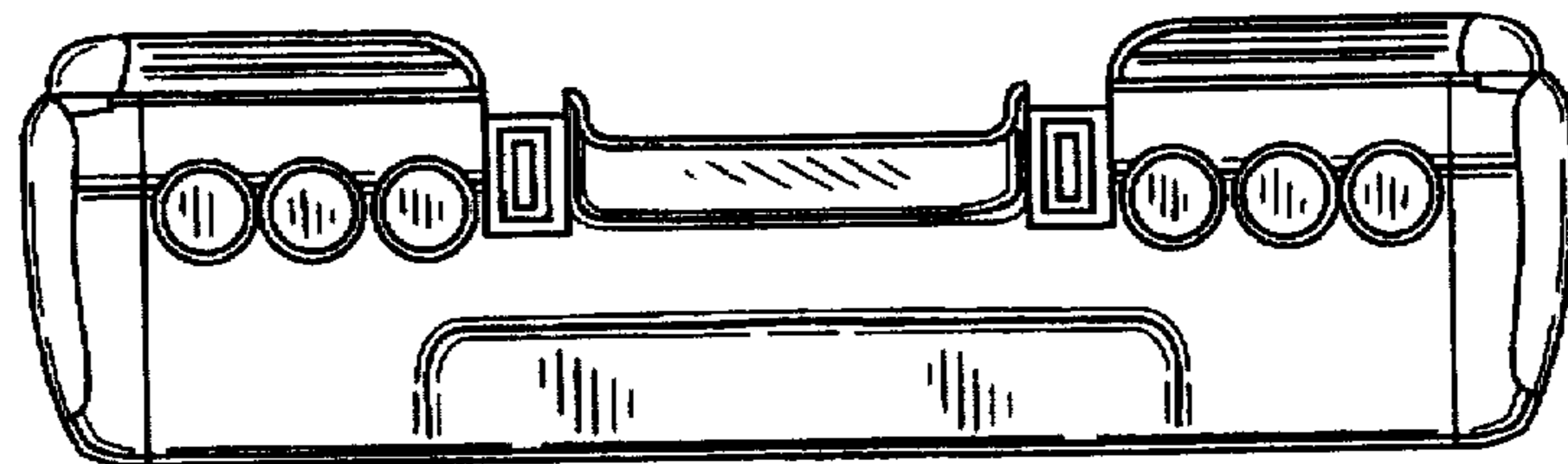


FIG. 5

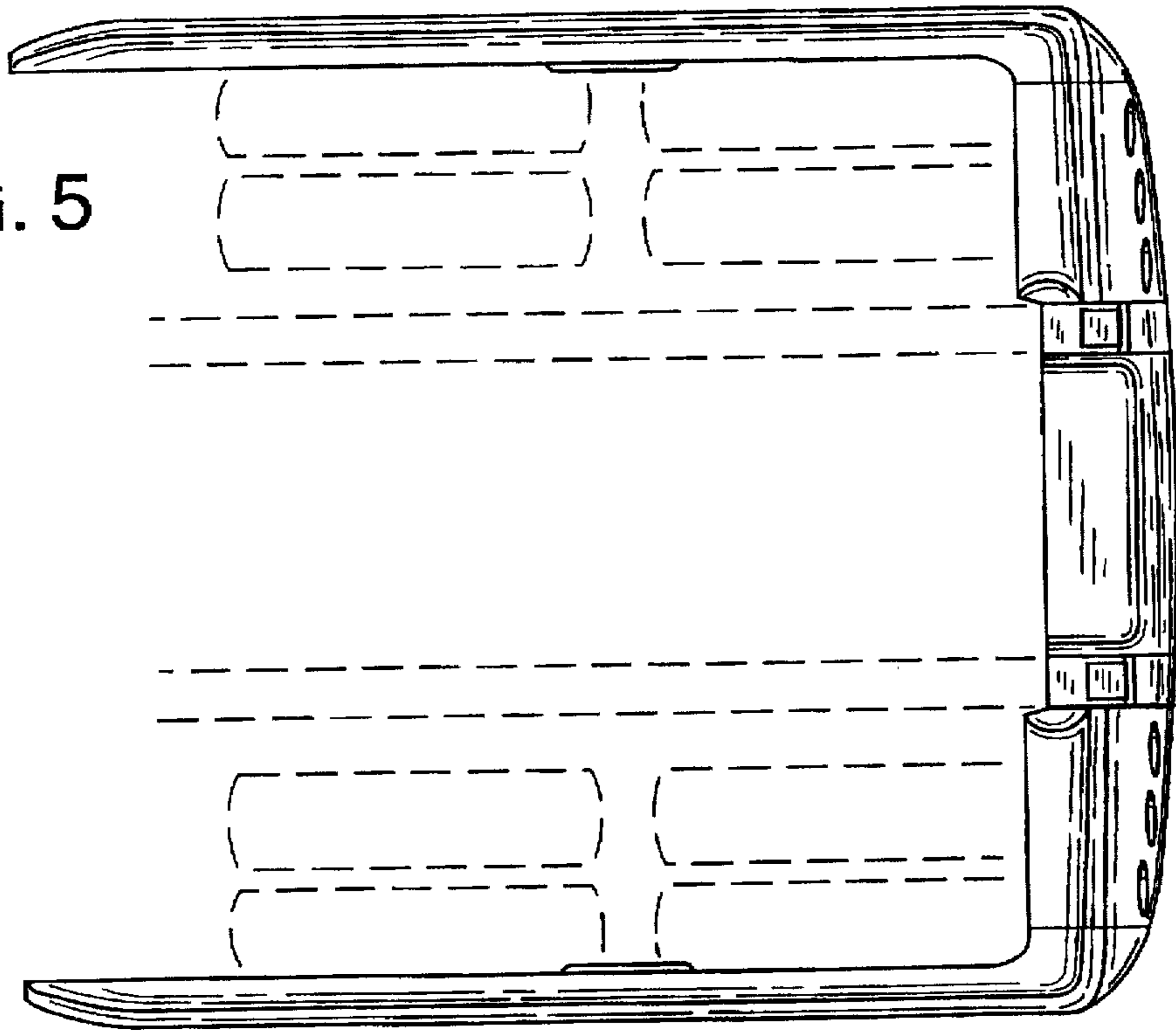


FIG. 6

