



US00D390514S

United States Patent [19]

Guspodin et al.

[11] Patent Number: **Des. 390,514**

[45] Date of Patent: ****Feb. 10, 1998**

[54] TIRE TREAD

[75] Inventors: **James G. Guspodin, Akron; Bill J. Wallet, Marshallville; Timothy J. Lissan, Kent, all of Ohio**

[73] Assignee: **Bridgestone/Firestone, Inc., Akron, Ohio**

[**] Term: **14 Years**

[21] Appl. No.: **67,349**

[22] Filed: **Mar. 4, 1997**

[51] LOC (6) Cl. **12-15**

[52] U.S. Cl. **D12/147**

[58] Field of Search **D12/136, 138, D12/140-151; 152/209 A, 209 B, 209 D**

[56] References Cited

U.S. PATENT DOCUMENTS

D. 301,855	6/1989	Ono	D12/147
D. 328,580	8/1992	Killian	D12/147
D. 334,362	3/1993	Stone et al.	D12/147
D. 339,777	9/1993	Tsuda et al.	D12/147
D. 341,345	11/1993	Killian	D12/146
D. 344,051	2/1994	Attinello et al.	D12/147
D. 344,053	2/1994	Attinello et al.	D12/147
D. 350,508	9/1994	Evraert	D12/146
D. 365,068	12/1995	Kotanides, Jr. et al.	D12/147
D. 367,450	2/1996	Kolowski et al.	D12/147
D. 369,768	5/1996	Wakamatsu et al.	D12/147
D. 379,954	6/1997	Matsuda et al.	D12/147
5,078,190	1/1992	Wissbrock et al.	152/209 R

OTHER PUBLICATIONS

Bridgestone Potenza RE92 Tire, 1996 Tread Design Guide, p. 11, Jan. 1996.

Brunswick Defender SRX+4 Tire, 1996 Tread Design Guide, Jan. 1996.

Sears Guardsman 40 Tire, 1996 Tread Design Guide, p. 64, Jan. 1996.

Primary Examiner—James Gandy

Assistant Examiner—Robert M. Spear

Attorney, Agent, or Firm—Carmen S. Santa Maria

[57] CLAIM

The ornamental design for a tire tread, as shown and described.

DESCRIPTION

FIG. 1 is a right front perspective view of a tire tread, showing our new design, it being understood that the tread pattern repeats uniformly throughout the circumference of the tire tread;

FIG. 2 is a left rear perspective view thereof;

FIG. 3 is a front elevational view thereof;

FIG. 4 is a right side elevational view thereof;

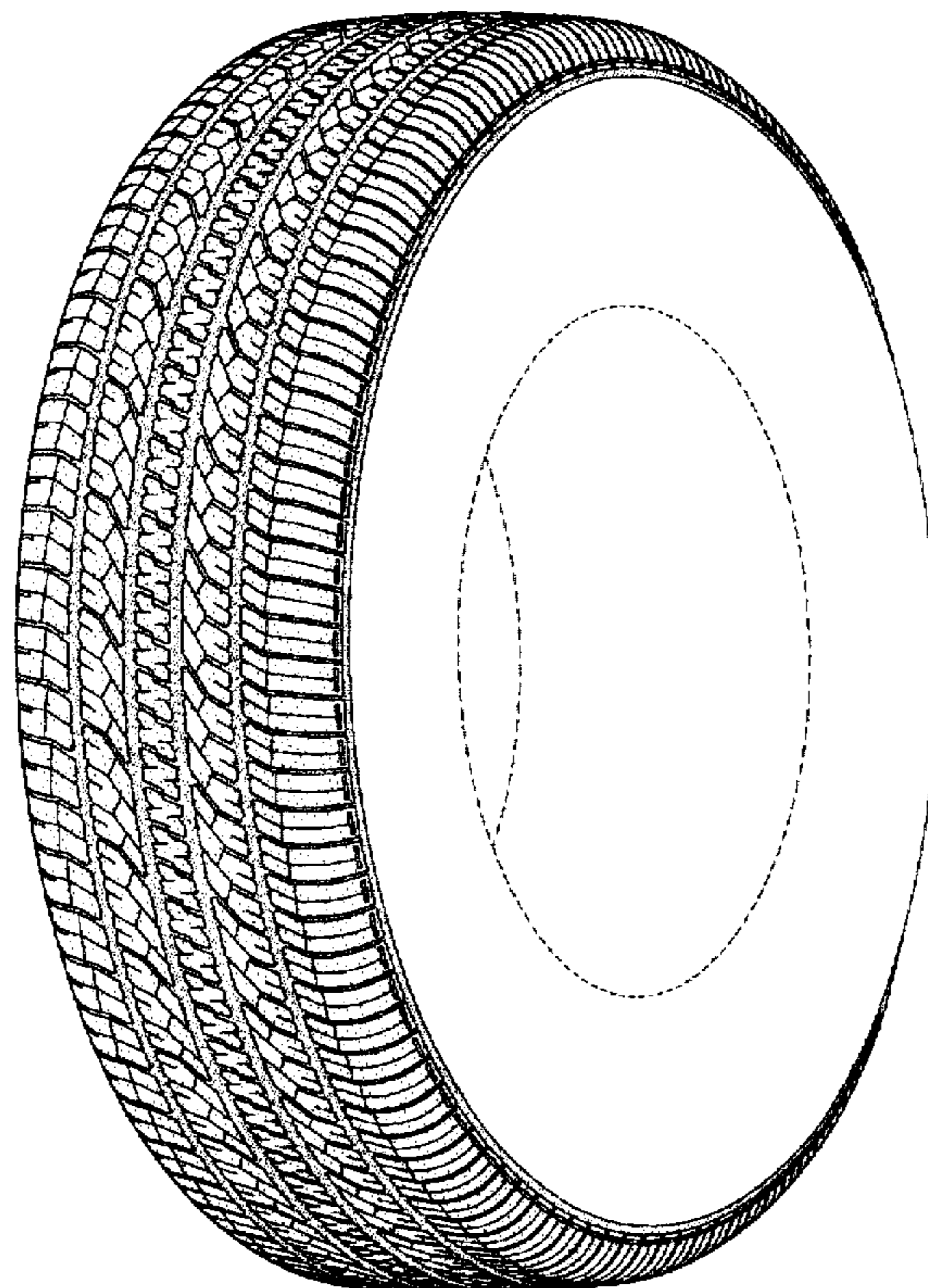
FIG. 5 is a left side elevational view thereof; and,

FIG. 6 is an enlarged fragmentary front elevational view thereof.

The broken line showing of the tire sidewall in the drawing is for illustrative purposes only and forms no part of the claimed design.

The dark stippled surface shading represents the recessed portion of the tread grooves, having a depth as best shown in FIG. 3.

1 Claim, 6 Drawing Sheets



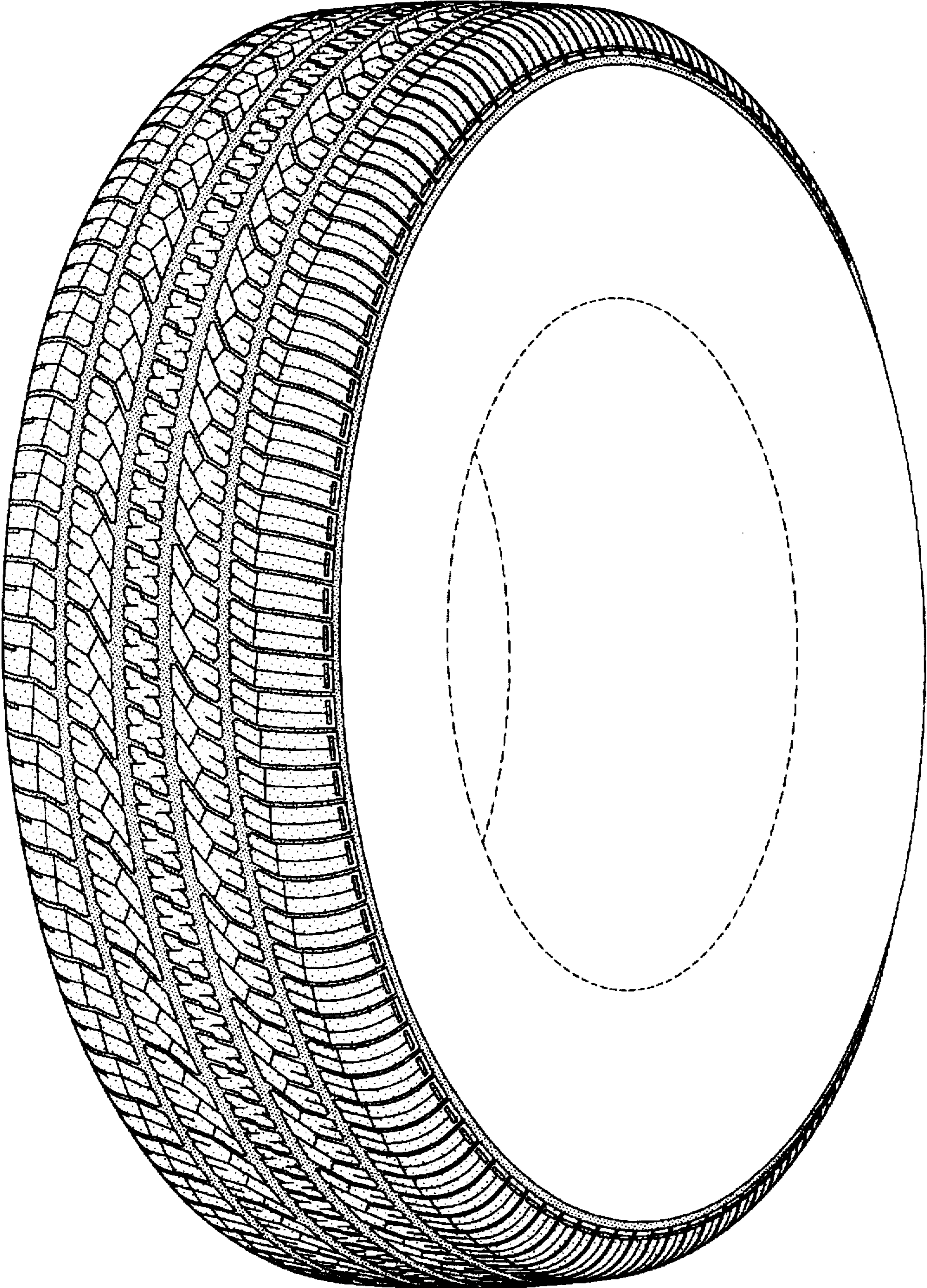


FIG-1

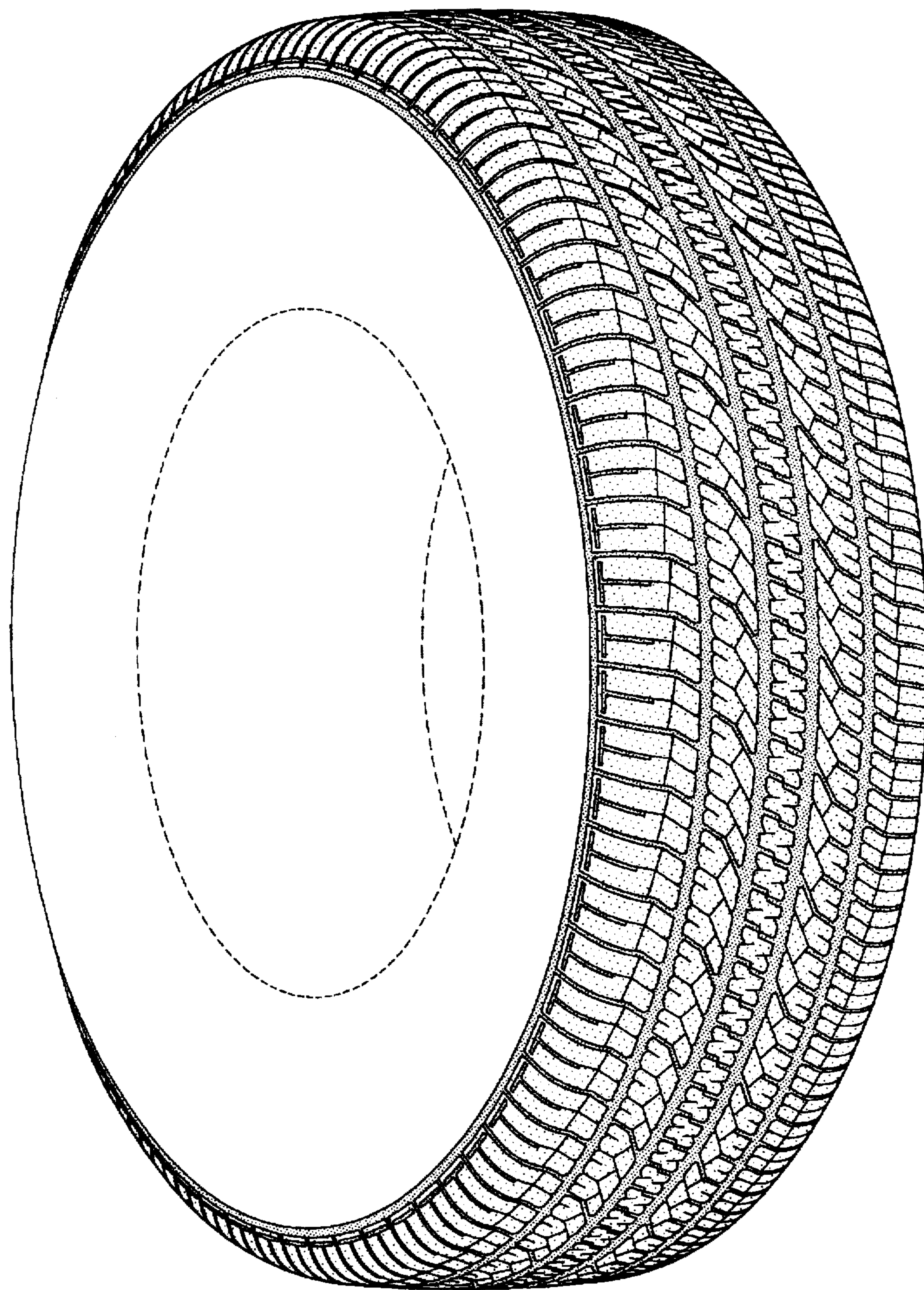


FIG-2

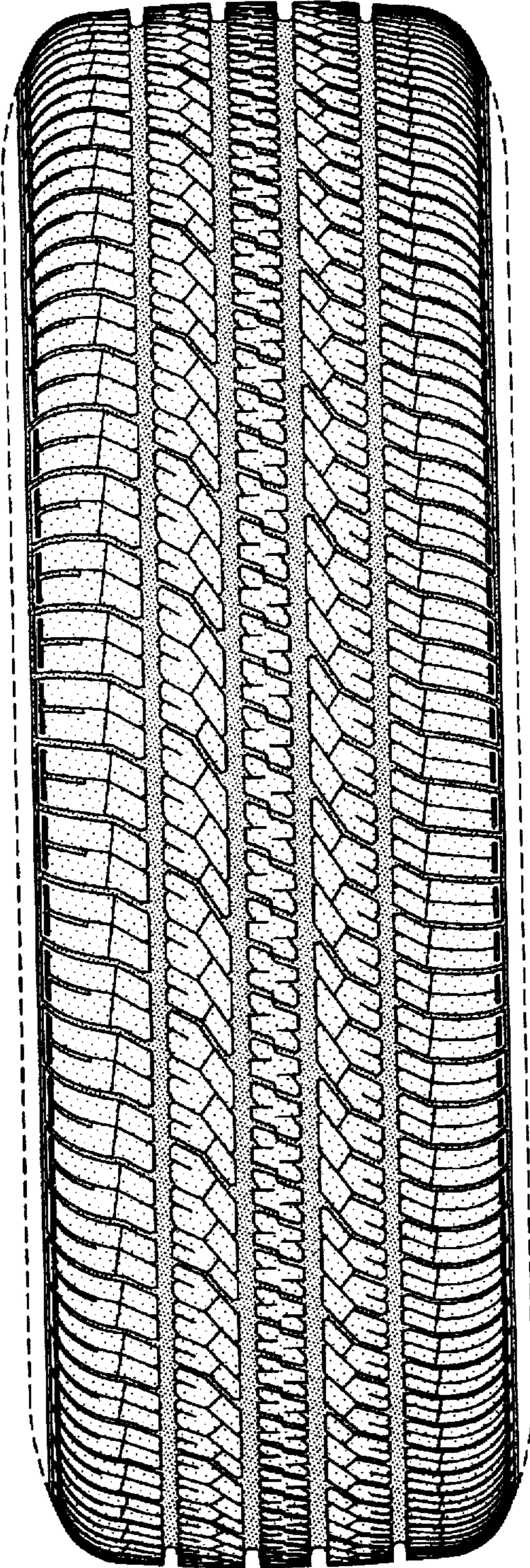


FIG-3

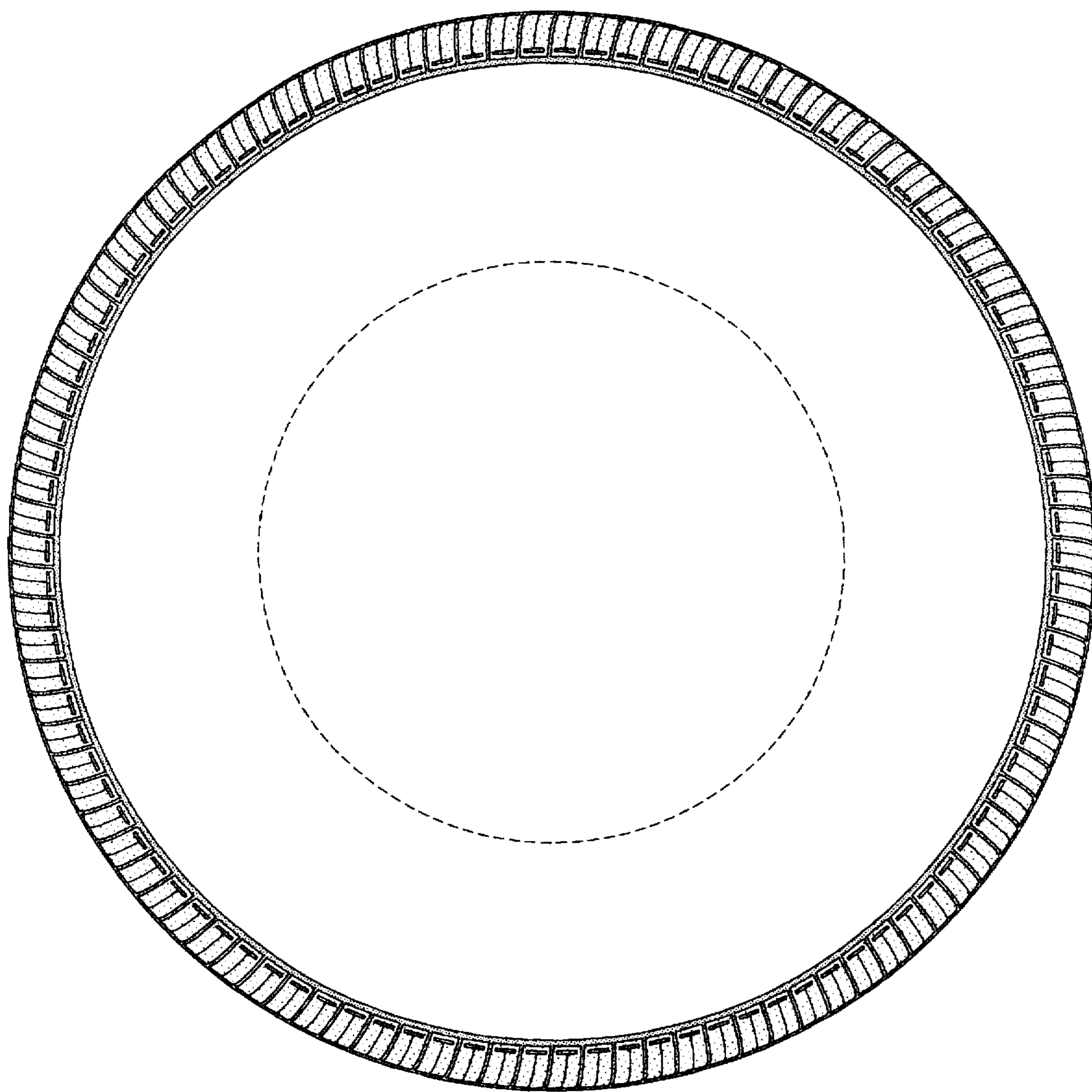


FIG-4

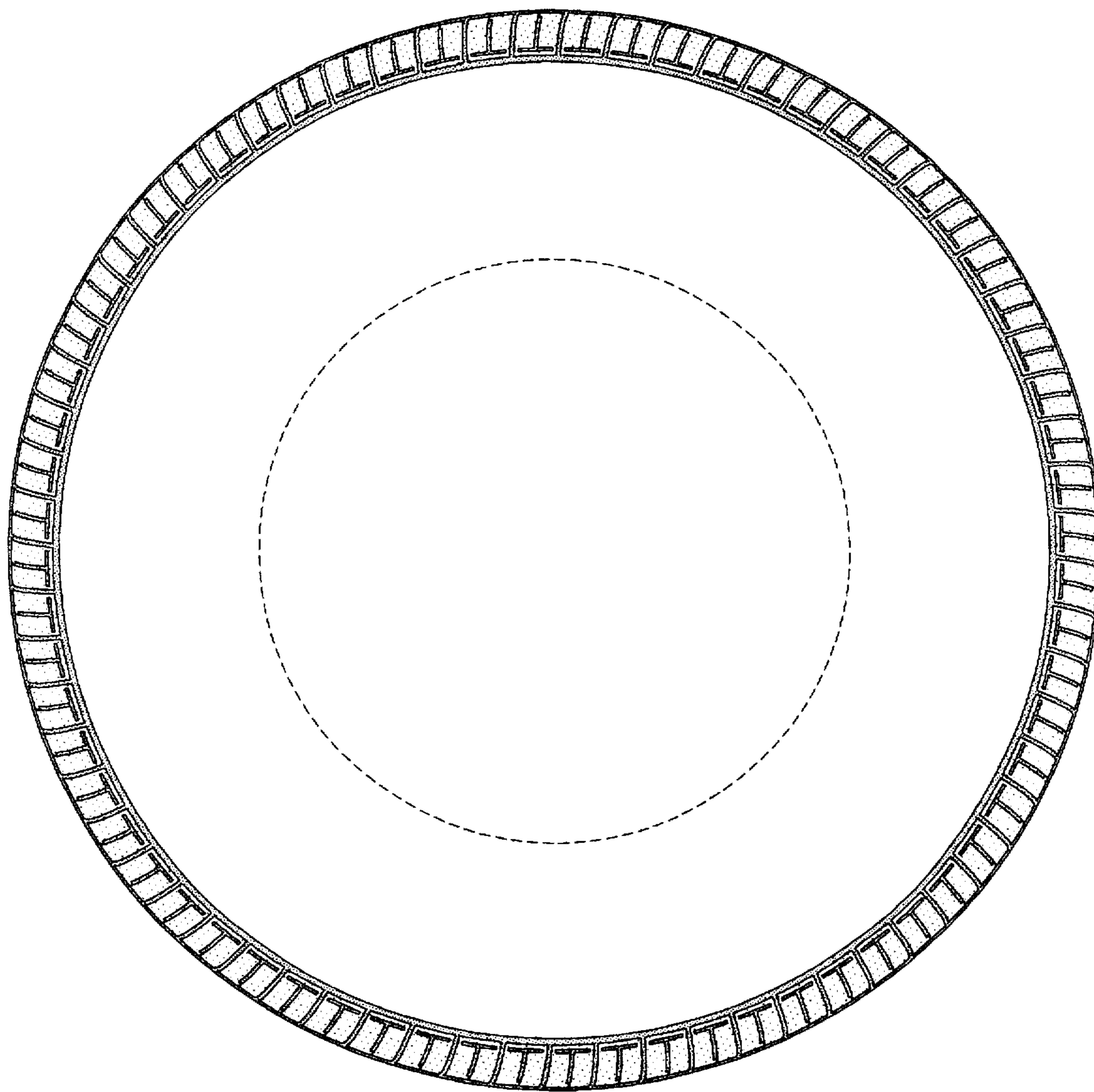


FIG-5

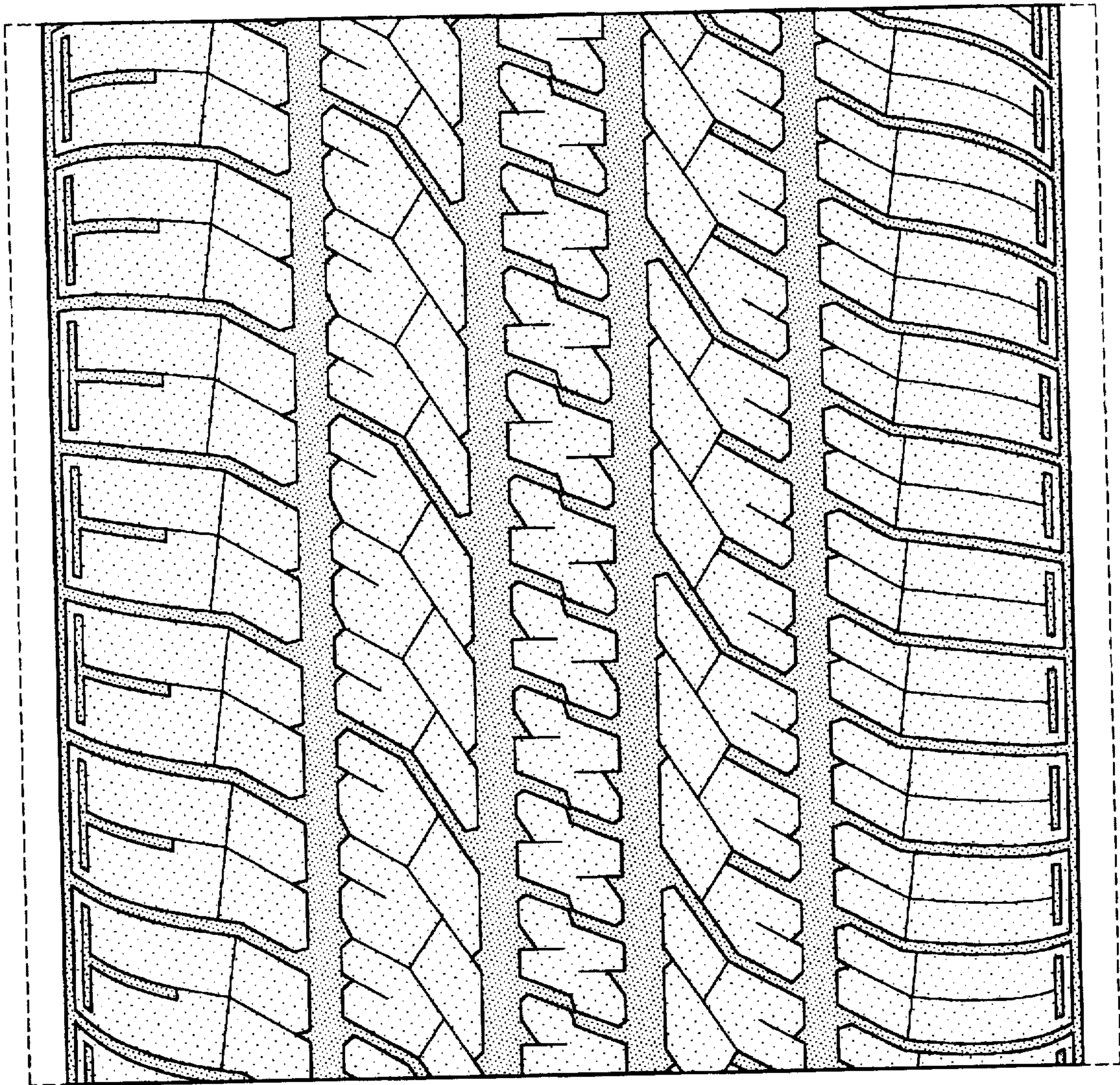


FIG-6