



US00D390506S

United States Patent [19] Shiau

[11] Patent Number: **Des. 390,506**
[45] Date of Patent: ****Feb. 10, 1998**

[54] **BICYCLE FRAME WITH SHOCK ABSORBER**
[75] Inventor: **Daniel Shiau, Tainan, Taiwan**
[73] Assignee: **Giant Manufacturing Co., Ltd., Taiwan**
[**] Term: **14 Years**
[21] Appl. No.: **69,274**
[22] Filed: **Mar. 24, 1997**
[51] LOC (6) Cl. **12-11**
[52] U.S. Cl. **D12/111**
[58] Field of Search **D12/111; 280/283, 280/284, 275, 281.1, 288.1-288.3**

5,332,246 7/1994 Buell 280/284
5,452,910 9/1995 Harris 280/284
5,498,013 3/1996 Hwang 280/283
5,498,014 3/1996 Kulhowik et al. 280/284

Primary Examiner—Melody N. Brown
Attorney, Agent, or Firm—Harness, Dickey & Pierce, P.L.C.

[57] CLAIM

The ornamental design for a bicycle frame with shock absorber, as shown and described.

DESCRIPTION

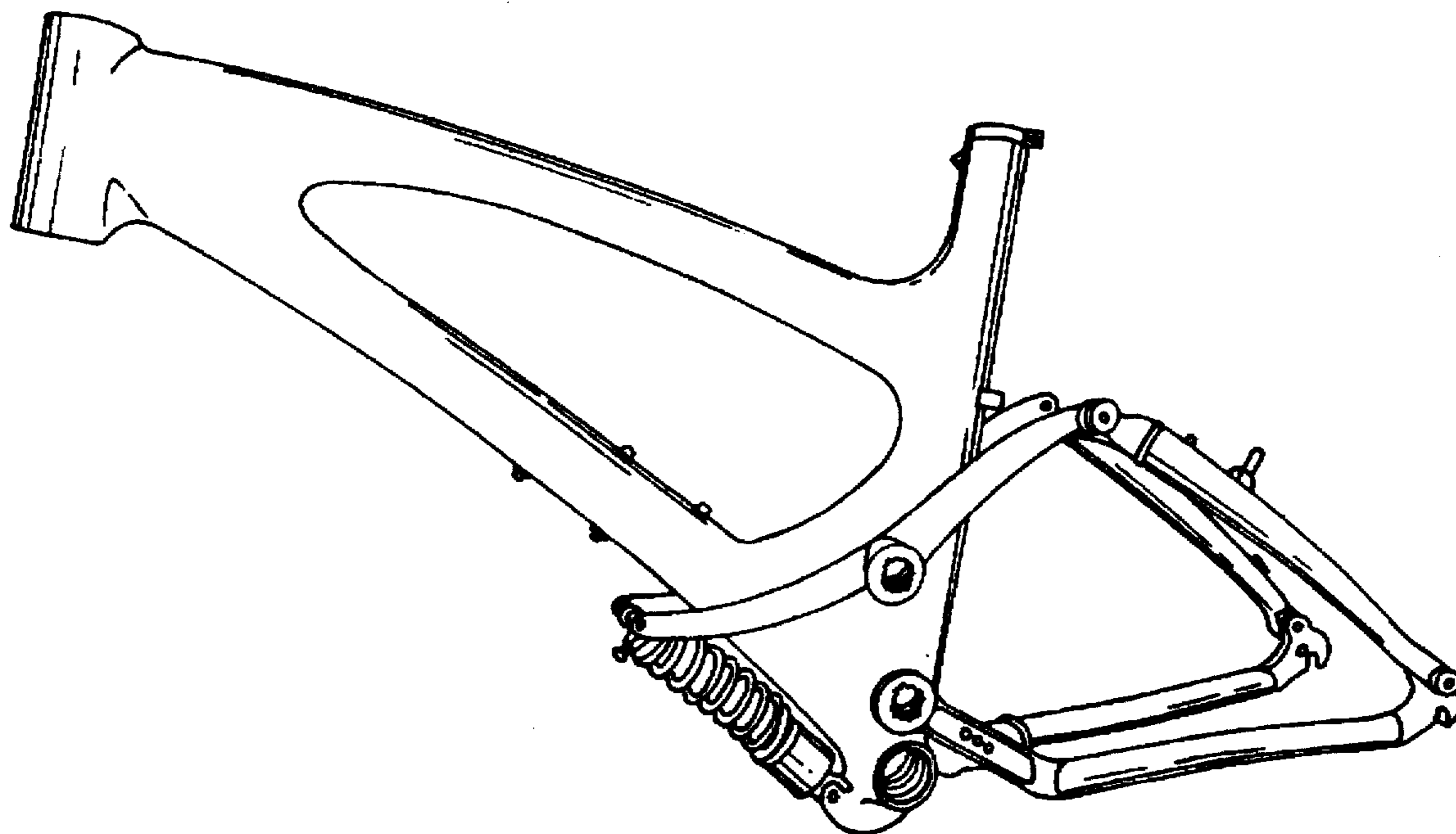
FIG. 1 is a perspective view of a bicycle frame with shock absorber showing my new design;
FIG. 2 is a front elevational view thereof;
FIG. 3 is a rear elevational view thereof;
FIG. 4 is a left side elevational view thereof;
FIG. 5 is a right side elevational view thereof;
FIG. 6 is a top plan view thereof; and,
FIG. 7 is a bottom plan view thereof.

[56] References Cited

U.S. PATENT DOCUMENTS

D. 379,949 6/1997 Falvey, Jr. D12/111
5,244,224 9/1993 Busby 280/284

1 Claim, 4 Drawing Sheets



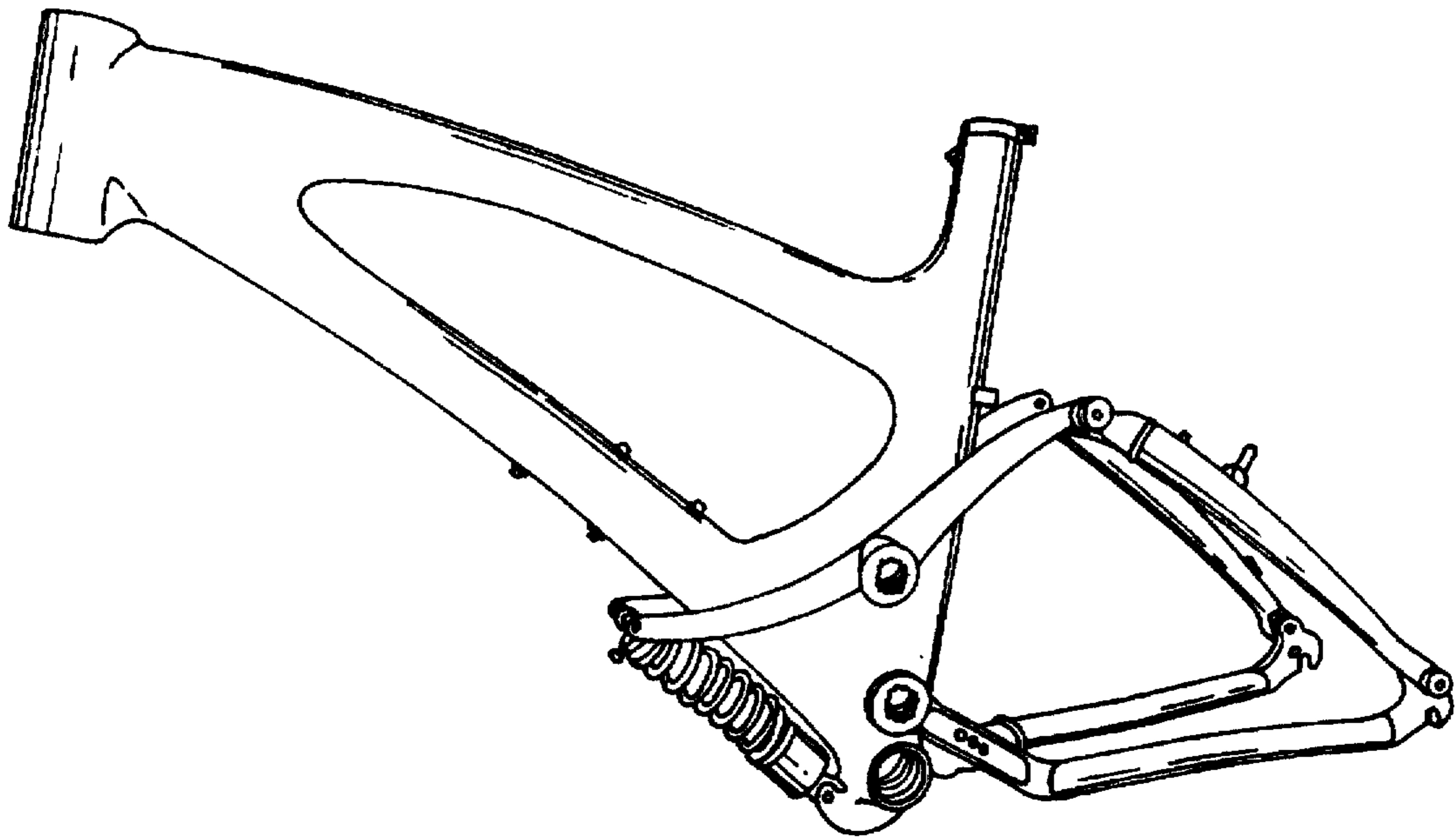
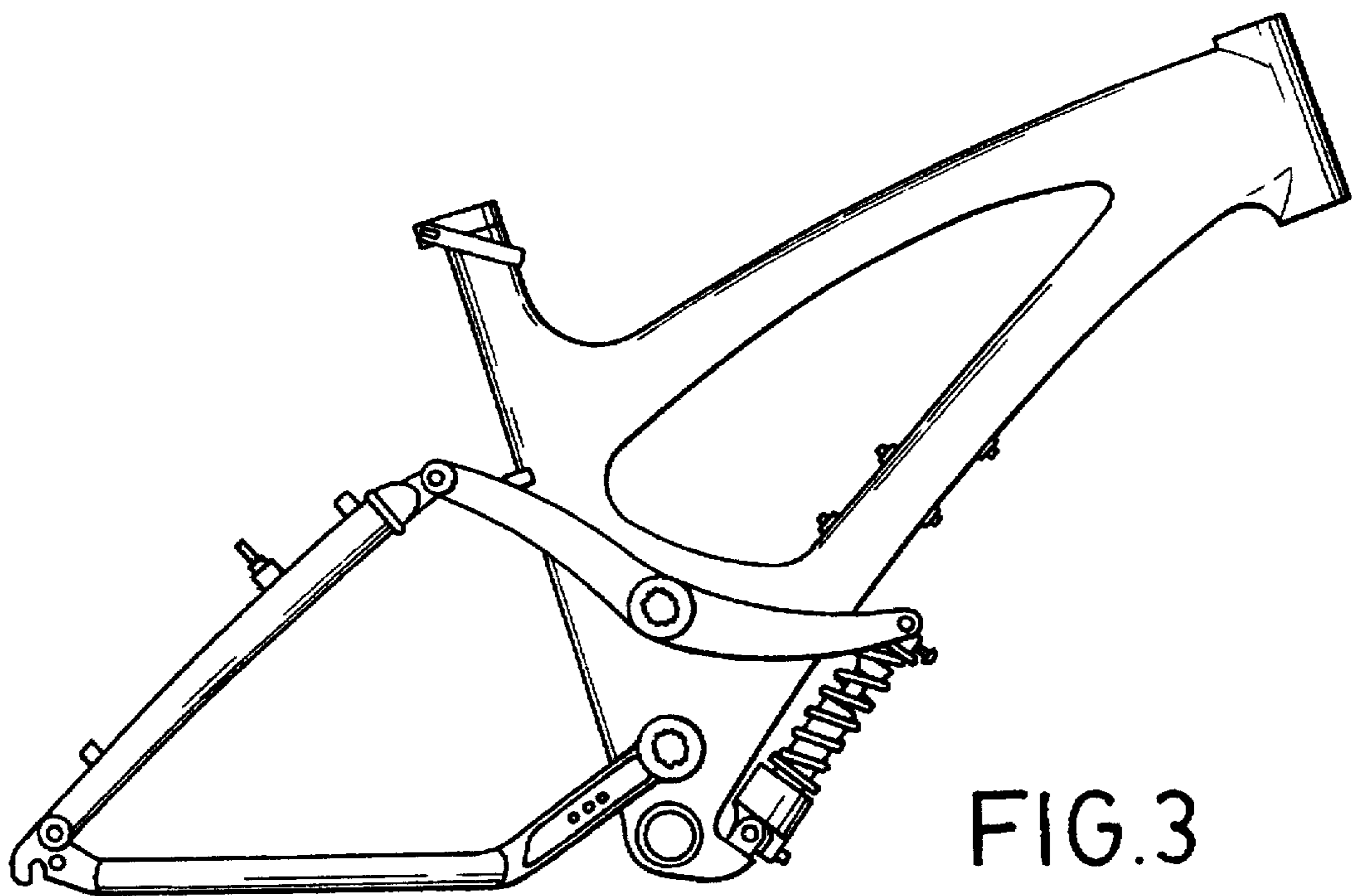
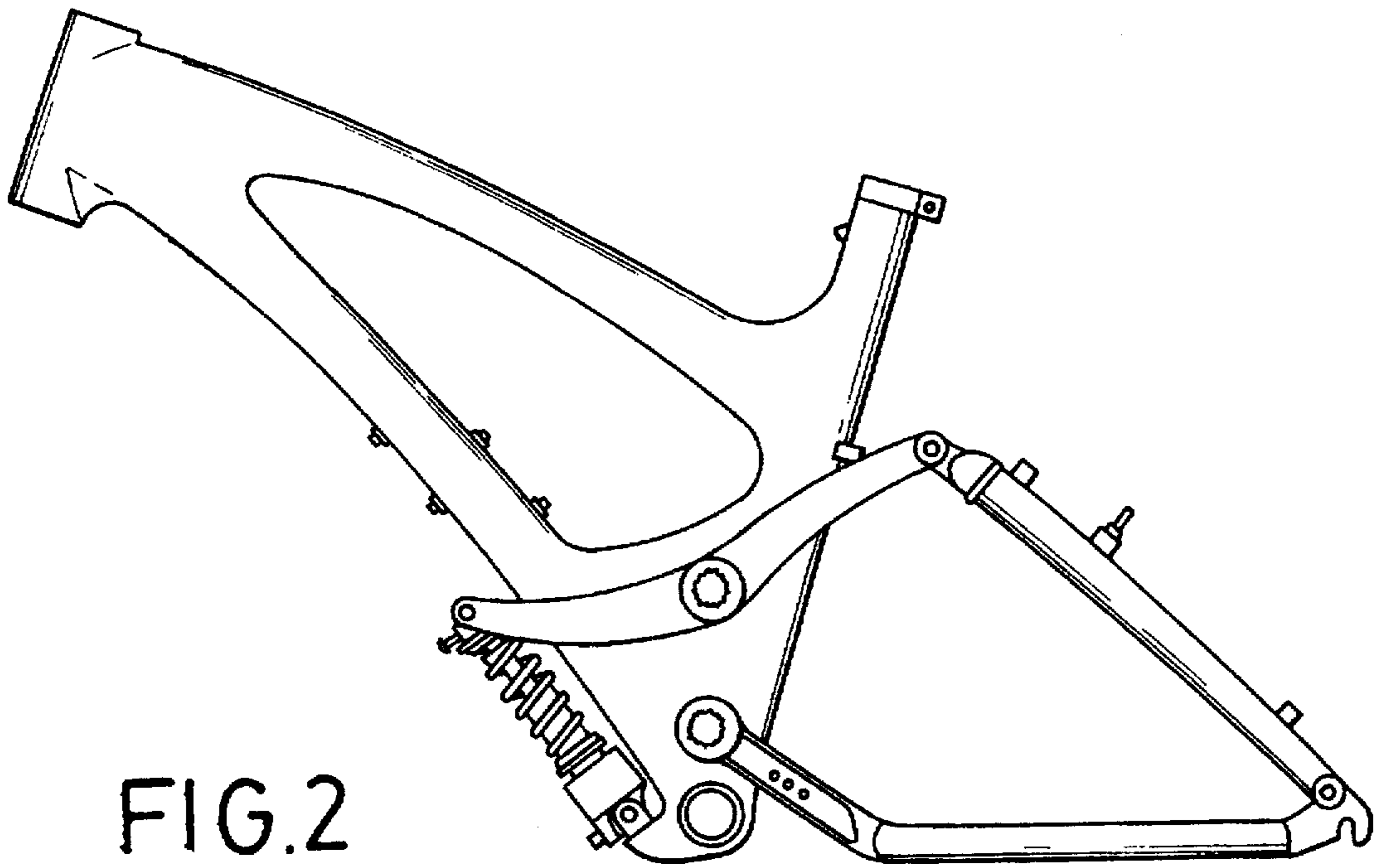


FIG.1



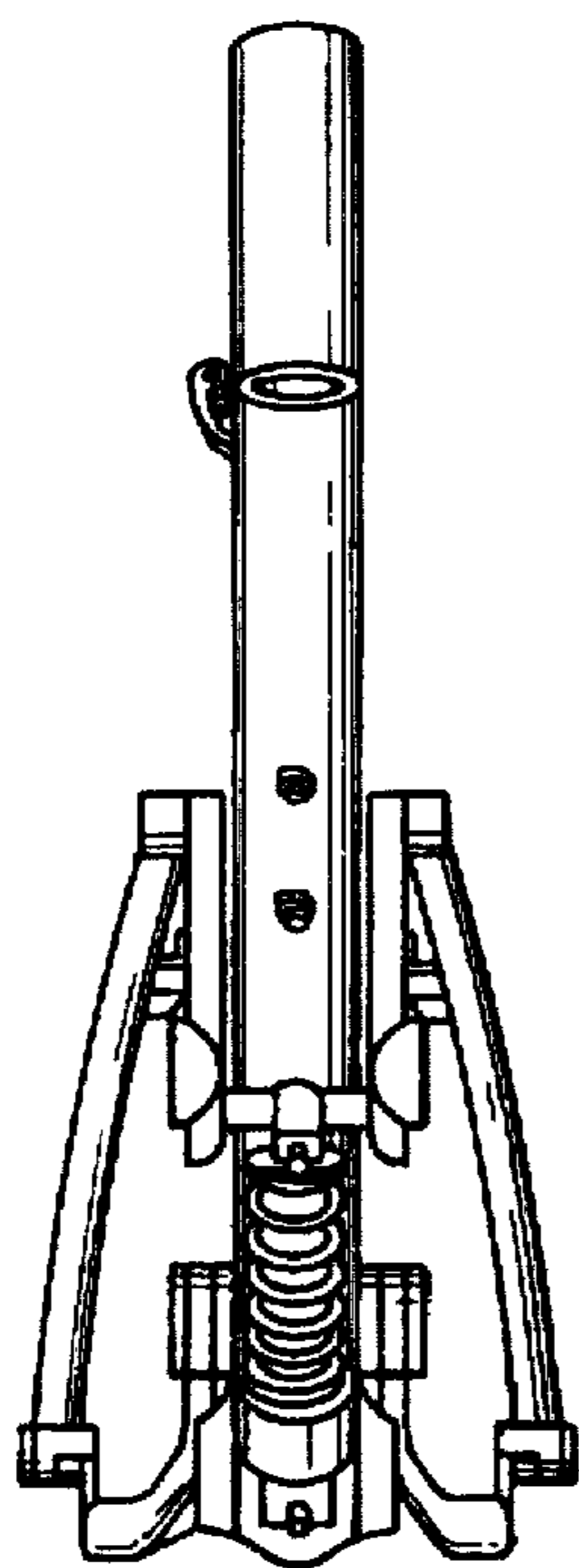


FIG.4

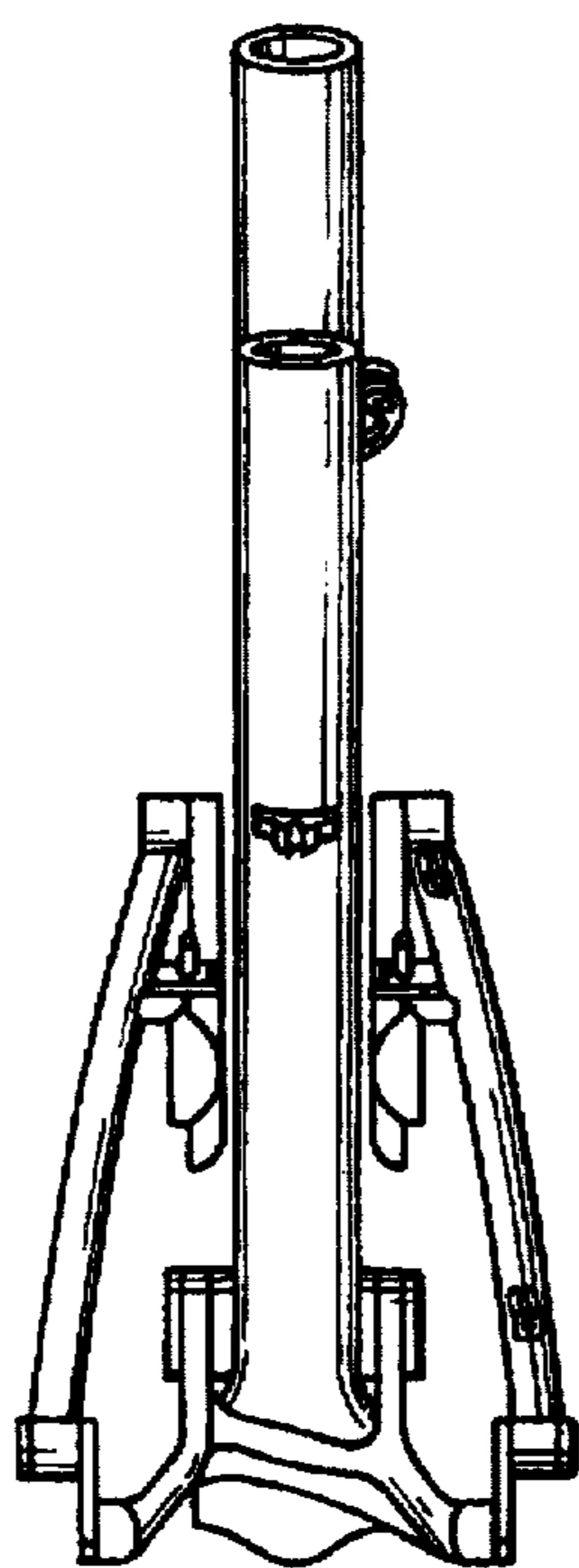


FIG.5

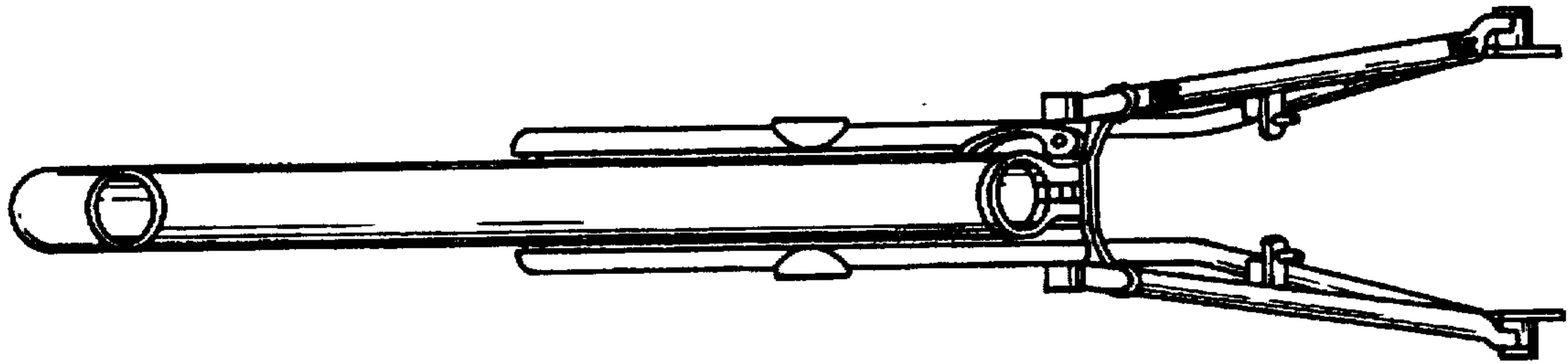


FIG. 6

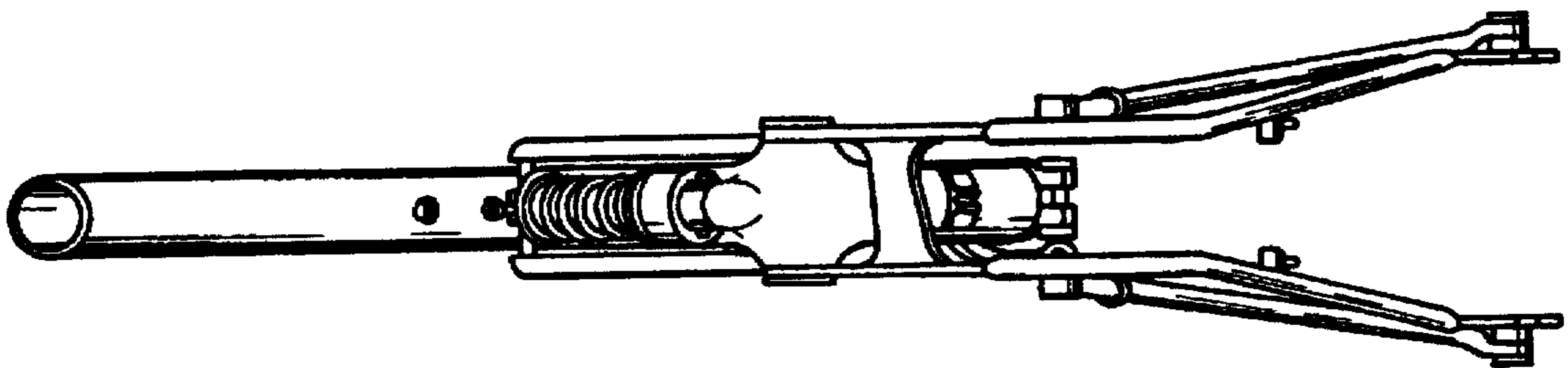


FIG. 7