



US00D390505S

United States Patent [19]
Shiau

[11] **Patent Number: Des. 390,505**
[45] **Date of Patent: **Feb. 10, 1998**

[54] **BICYCLE FRAME WITH ADJUSTABLE SHOCK ABSORBER**

D. 348,859 7/1994 Takagaki D12/111
D. 377,464 1/1997 Kciuk D12/111
5,205,572 4/1993 Buell et al. 280/284

[75] **Inventor: Daniel Shiau, Tainan, Taiwan**

Primary Examiner—Melody N. Brown
Attorney, Agent, or Firm—Harness, Dickey & Pierce, P.L.C.

[73] **Assignee: Giant Manufacturing Co., Ltd., Taiwan**

[57] **CLAIM**

[**] **Term: 14 Years**

The ornamental design for a bicycle frame with adjustable shock absorber, as shown and described.

[21] **Appl. No.: 67,892**

DESCRIPTION

[22] **Filed: Mar. 11, 1997**

FIG. 1 is a perspective view of a bicycle frame with adjustable shock absorber my new design;
FIG. 2 is a front elevational view thereof;
FIG. 3 is a rear elevational view thereof;
FIG. 4 is a left side elevational view thereof;
FIG. 5 is a right side elevational view thereof;
FIG. 6 is a top plan view thereof; and,
FIG. 7 is a bottom plan view thereof.

[51] **LOC (6) Cl. 12-11**

[52] **U.S. Cl. D12/111**

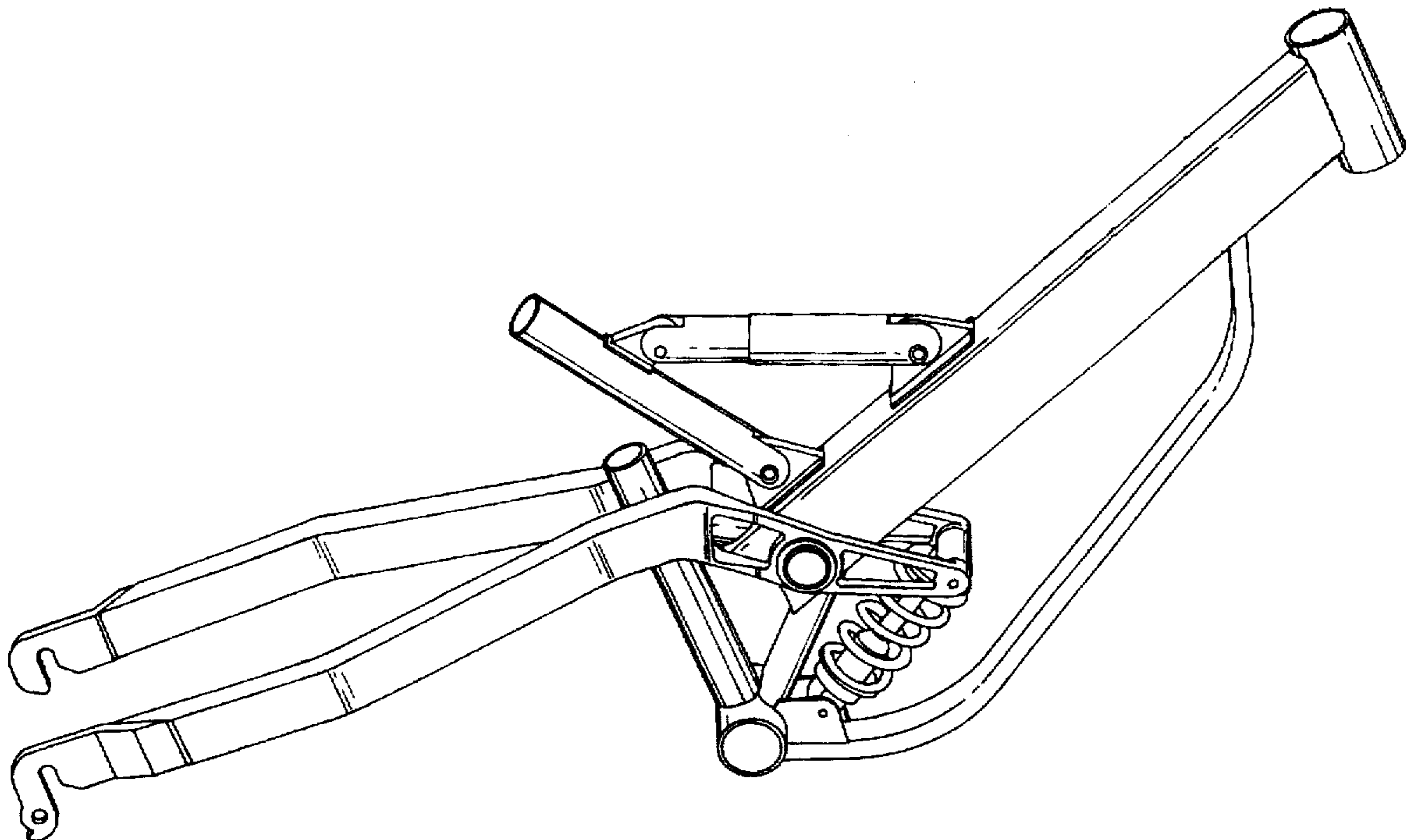
[58] **Field of Search D12/111; 280/283, 280/284, 275, 281.1, 288.1-288.3**

[56] **References Cited**

U.S. PATENT DOCUMENTS

D. 321,155 10/1991 Tan D12/111

1 Claim, 5 Drawing Sheets



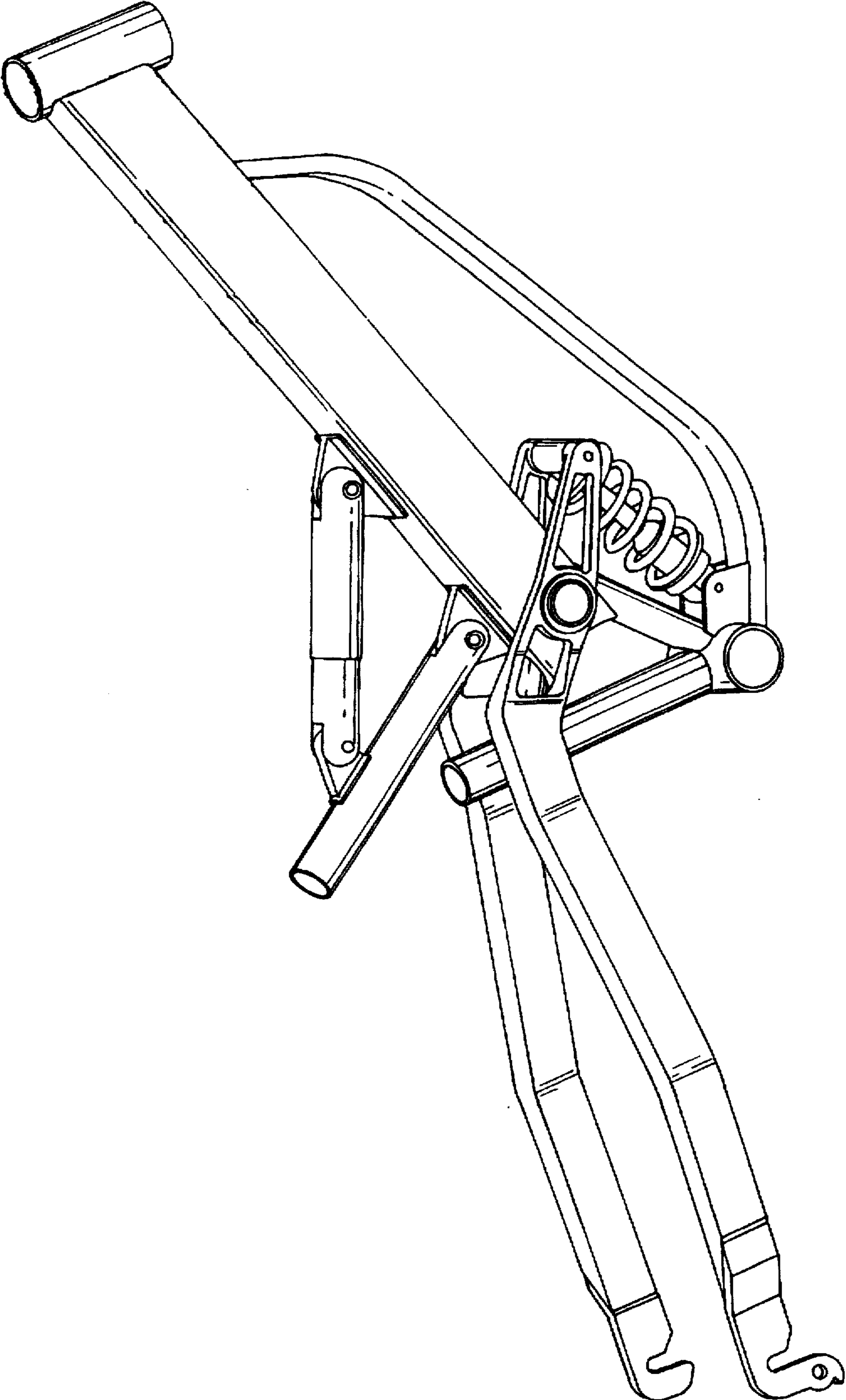


FIG. 1

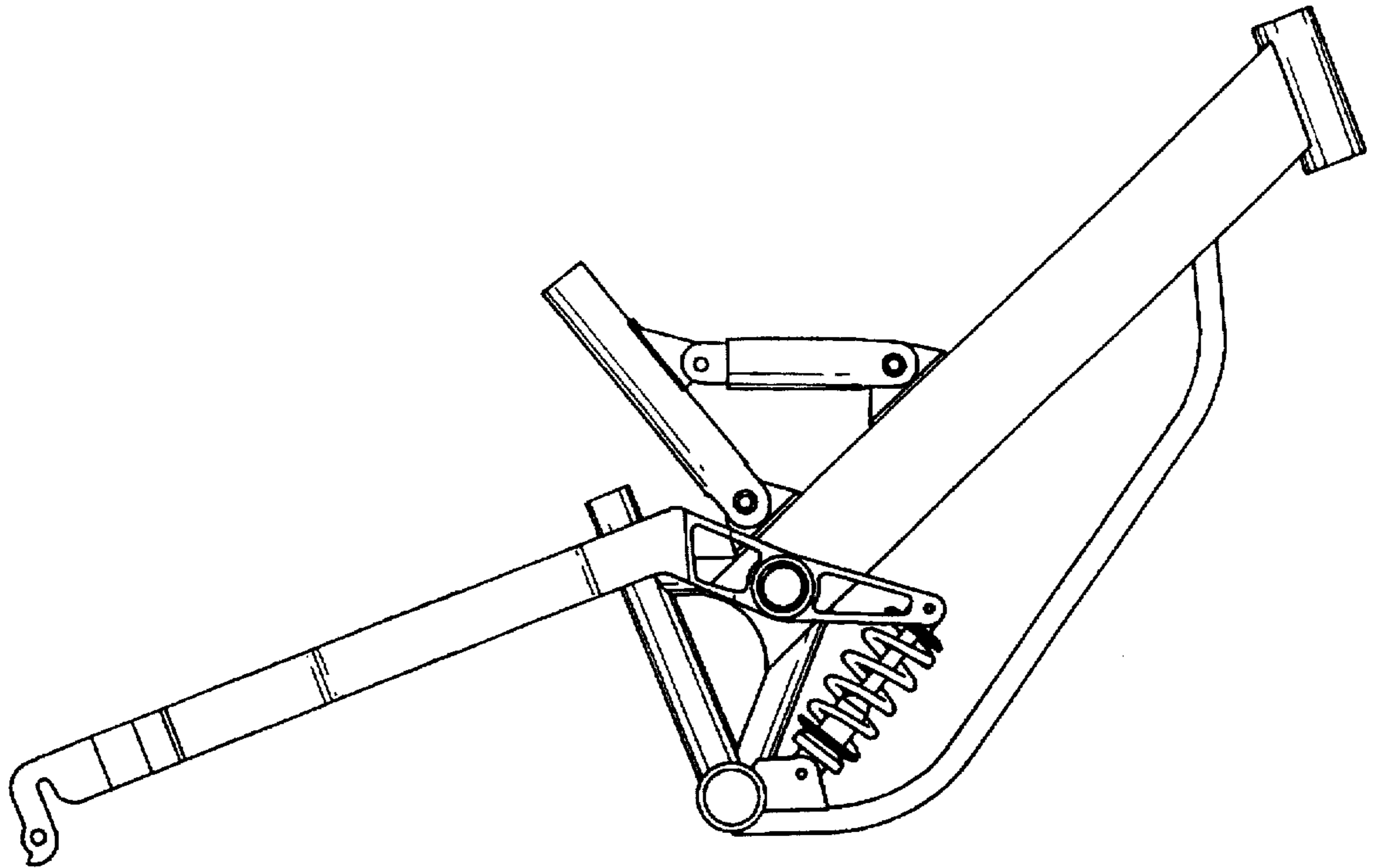


FIG.2

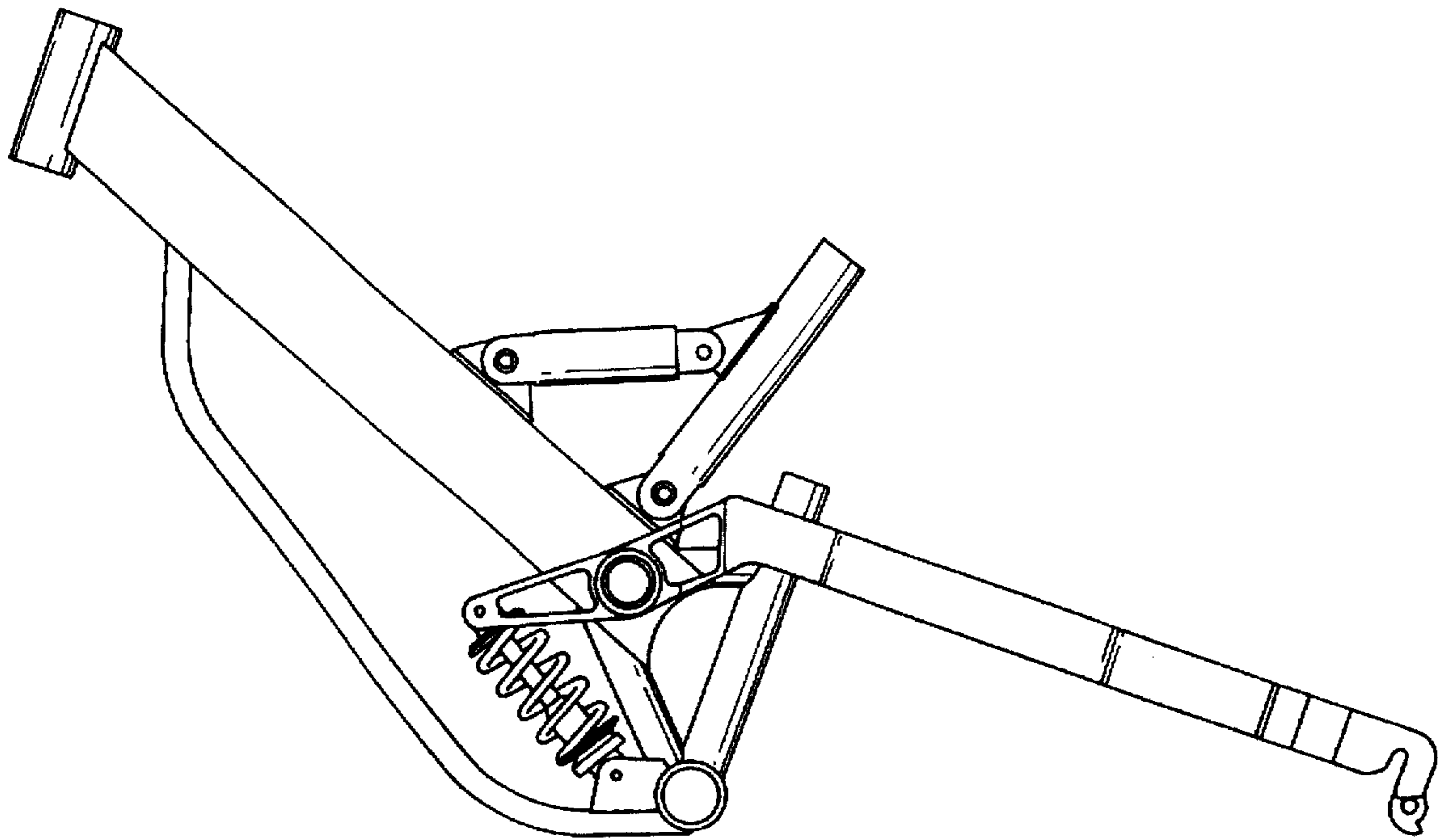


FIG. 3

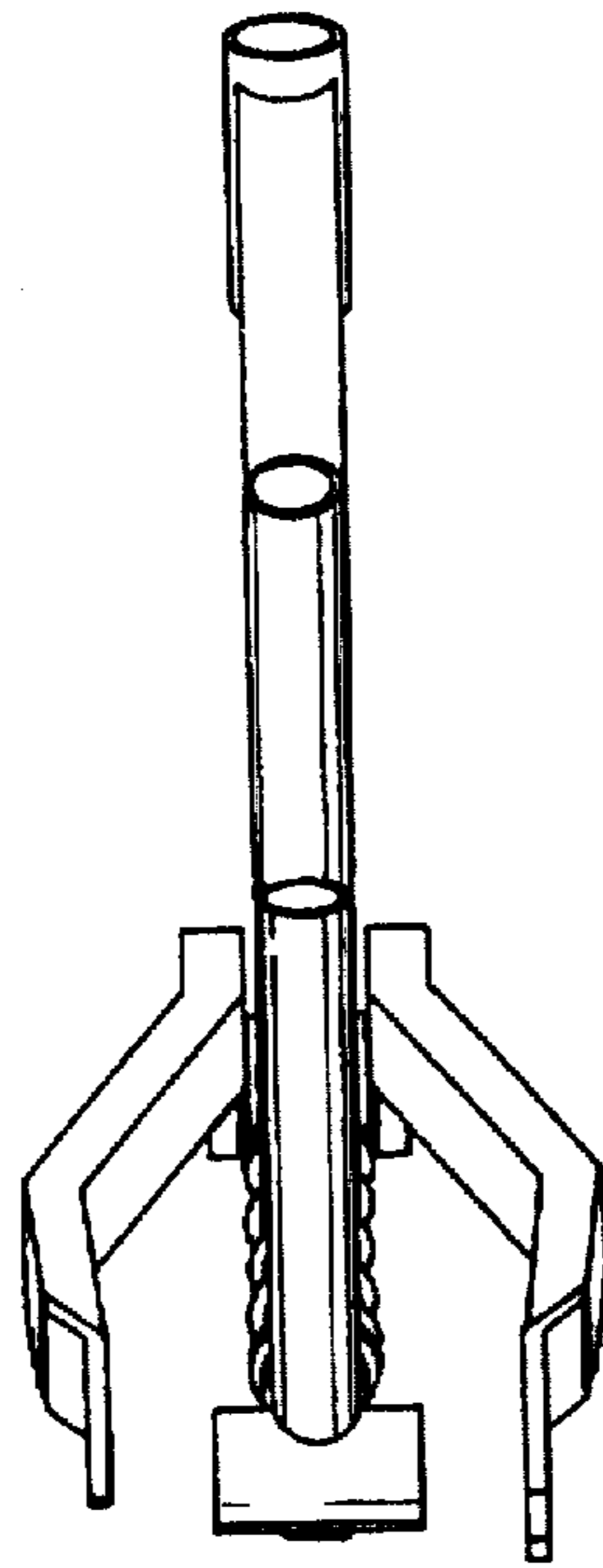


FIG. 4

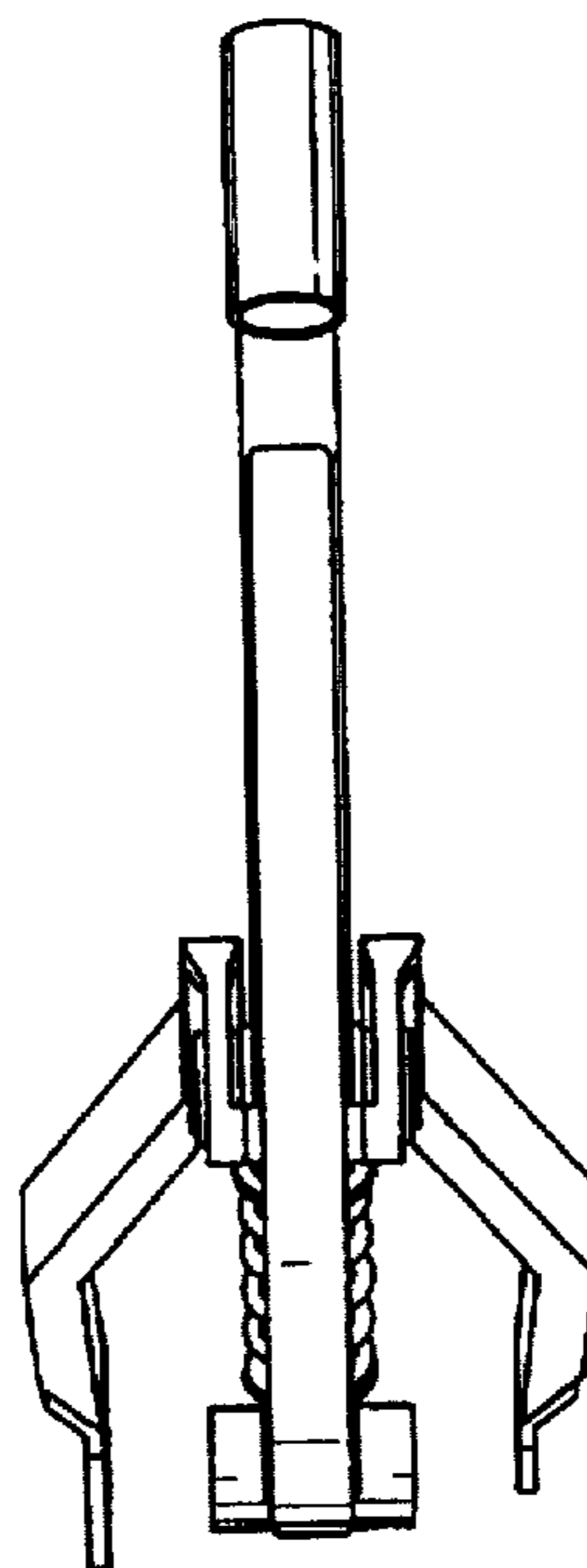


FIG. 5

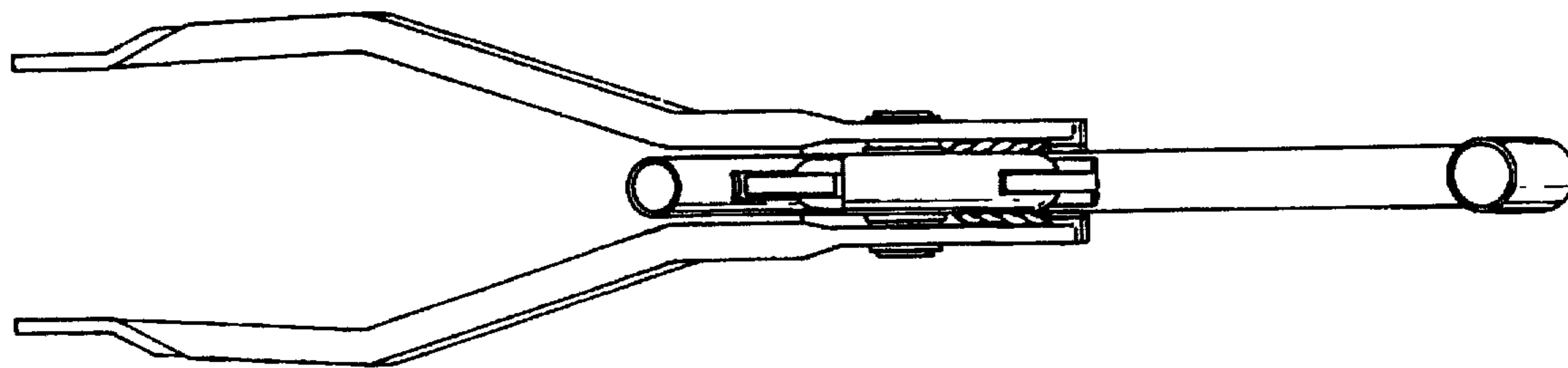


FIG. 6

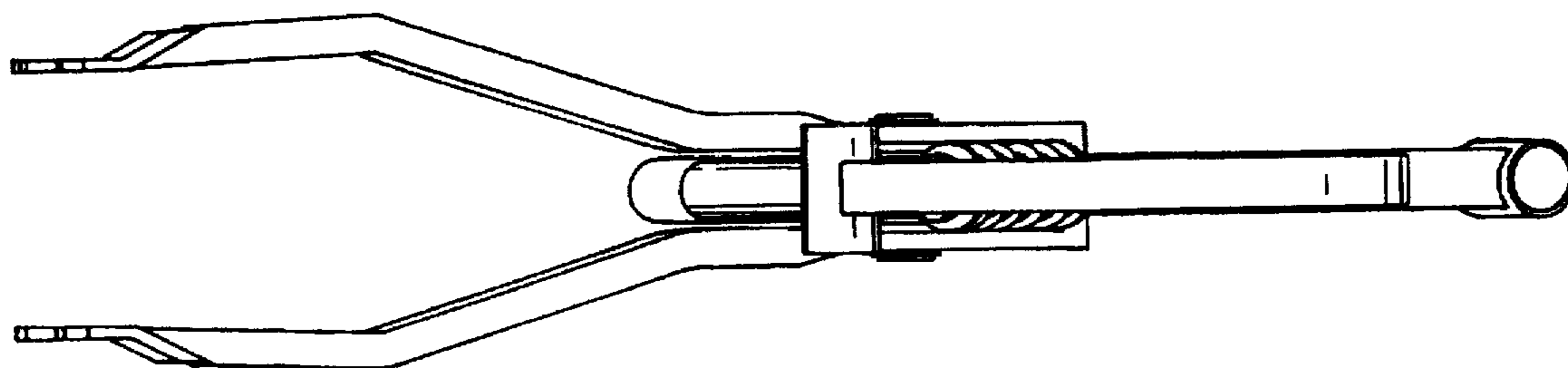


FIG. 7

UNITED STATES PATENT AND TRADEMARK OFFICE
CERTIFICATE OF CORRECTION

PATENT NO. : Des. 390,505
DATED : February 10, 1998
INVENTOR(S) : Daniel Shiau

It is certified that error appears in the above-identified patent and that said Letters Patent is hereby corrected as shown below:

On the title page, Item [22]:
under "Filed:" "Mar. 11, 1997" should be --Mar. 13, 1997--.

Signed and Sealed this
Eighth Day of September, 1998

Attest:



BRUCE LEHMAN

Attesting Officer

Commissioner of Patents and Trademarks