



US00D390504S

United States Patent [19] Shih

[11] Patent Number: **Des. 390,504**
[45] Date of Patent: ****Feb. 10, 1998**

[54] **BICYCLE**

[76] Inventor: **Chin-yiao Shih**, No. 1, Alley 1, Lane 164, Chinhua St., 18 Lin. Lung-an Li, Ta-an Dist., Taipei, Taiwan

[**] Term: **14 Years**

[21] Appl. No.: **64,808**

[22] Filed: **Jan. 10, 1997**

[51] LOC (6) Cl. **12-11**

[52] U.S. Cl. **D12/111**

[58] Field of Search **D12/111; 280/281.1, 280/288.1-288.3**

[56] **References Cited**

U.S. PATENT DOCUMENTS

D. 359,014	6/1995	Haney et al.	D12/111
D. 362,209	9/1995	Dietz et al.	D12/111
D. 363,050	10/1995	Wang et al.	D12/111

Primary Examiner—Melody N. Brown
Attorney, Agent, or Firm—Morton J. Rosenberg; David I. Klein; Jun Y. Lee

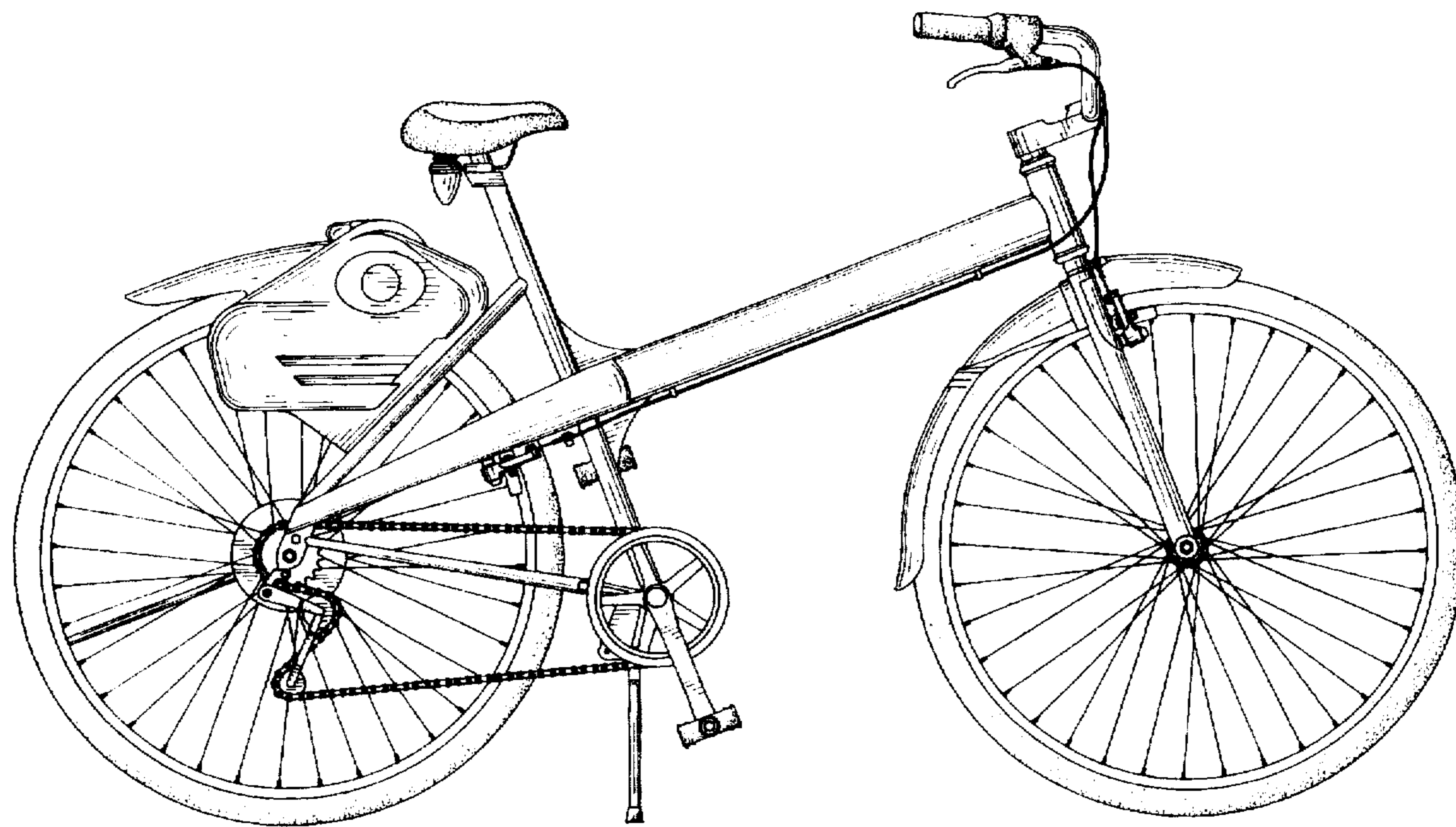
[57] **CLAIM**

The ornamental design for a bicycle, as shown and described.

DESCRIPTION

FIG. 1 is a front-left-top perspective view of a bicycle, showing my new design;
FIG. 2 is a front elevational view thereof;
FIG. 3 is a rear elevational view thereof;
FIG. 4 is a left side elevational view thereof;
FIG. 5 is a right side elevational view thereof;
FIG. 6 is a top plan view thereof; and,
FIG. 7 is a bottom plan view thereof.

1 Claim, 6 Drawing Sheets



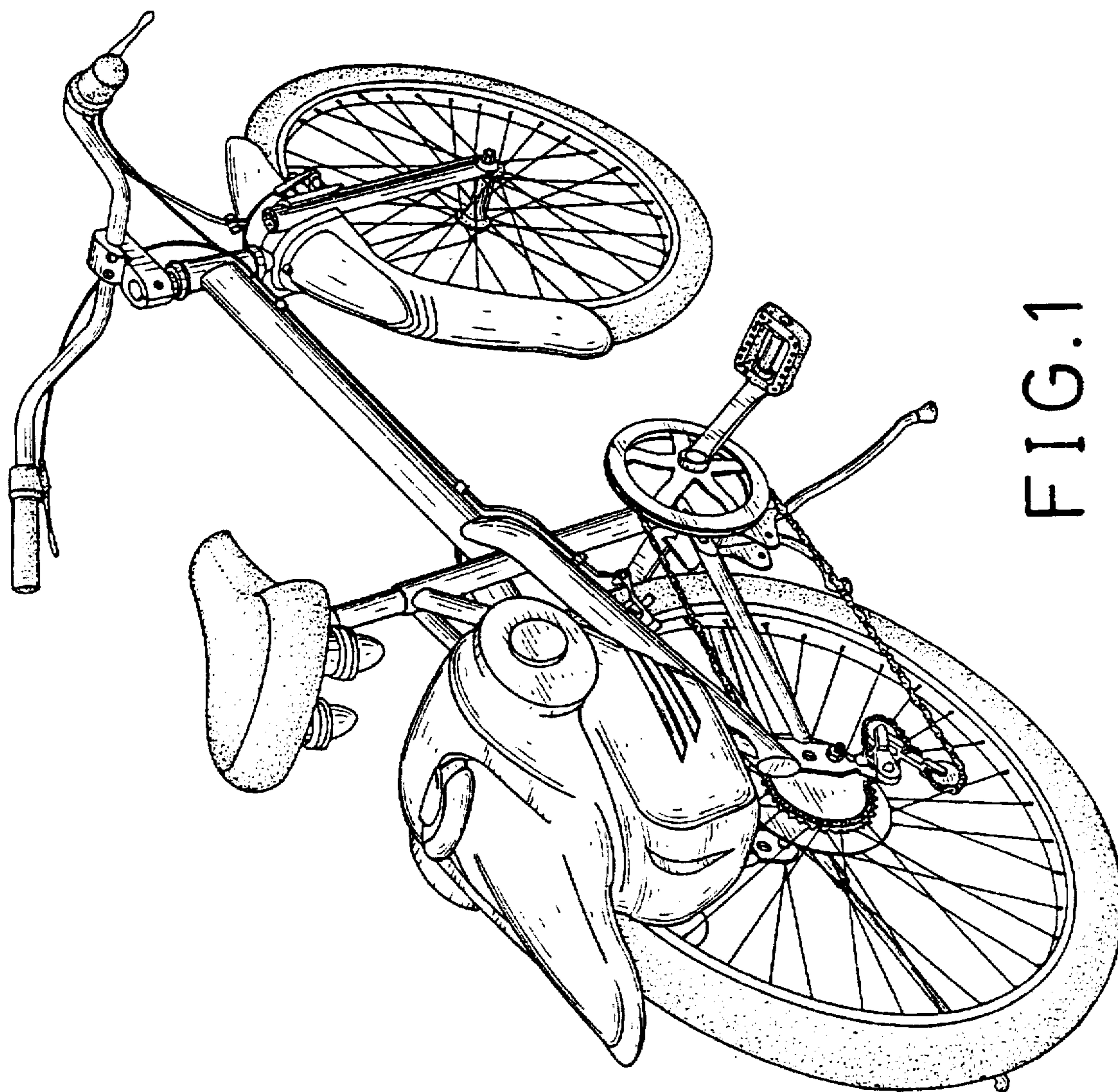


FIG. 1

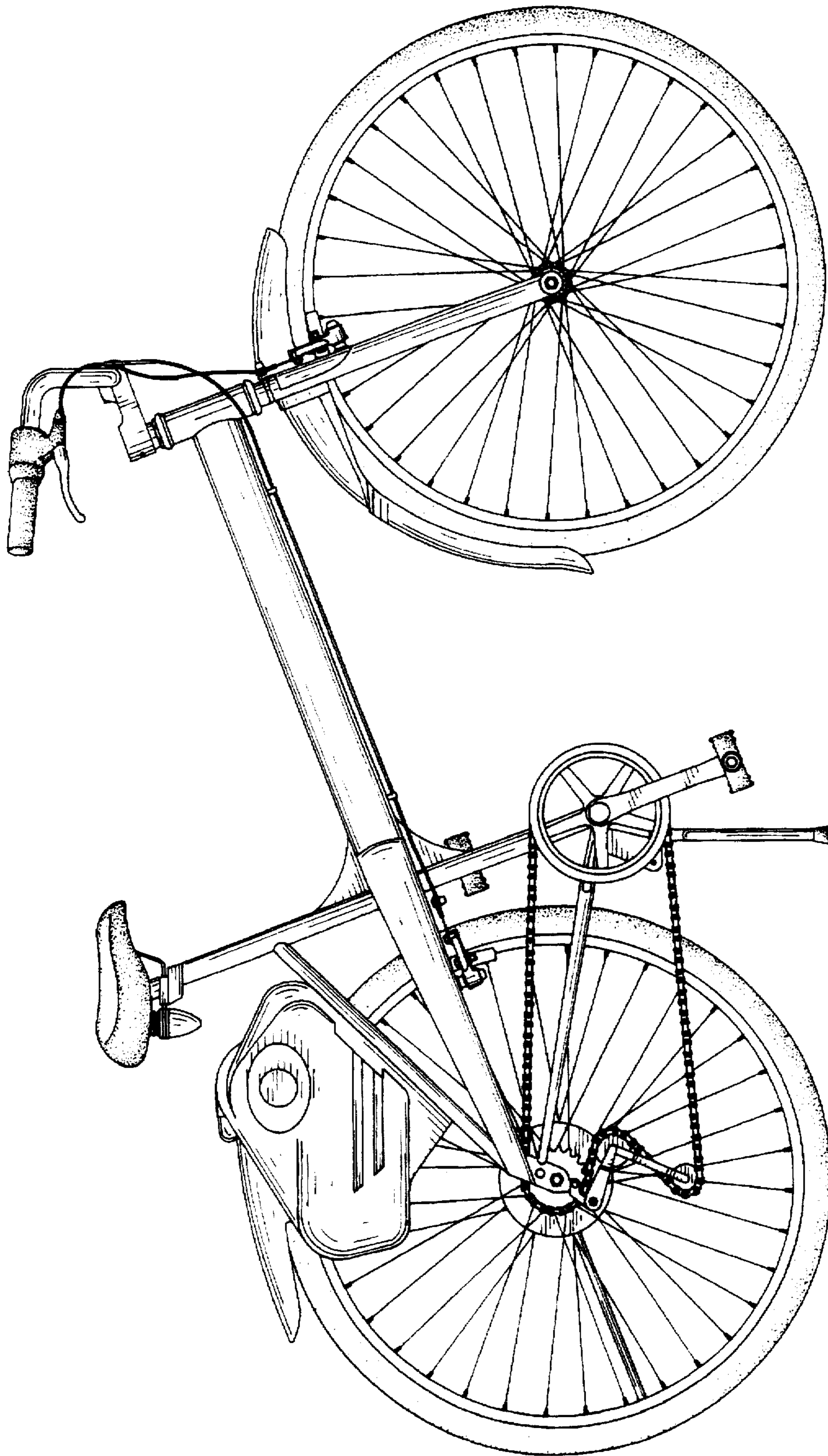


FIG. 2

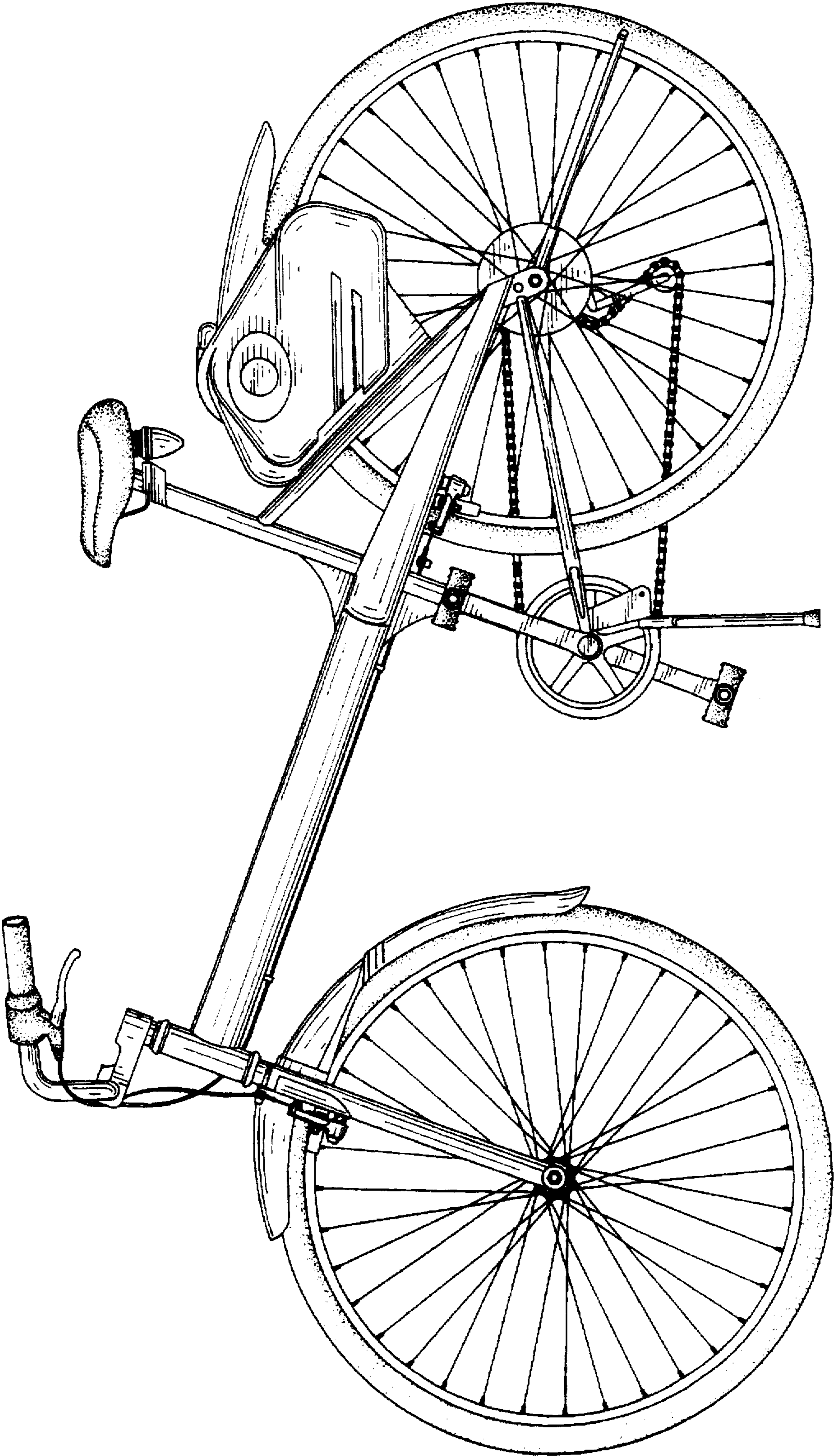


FIG. 3

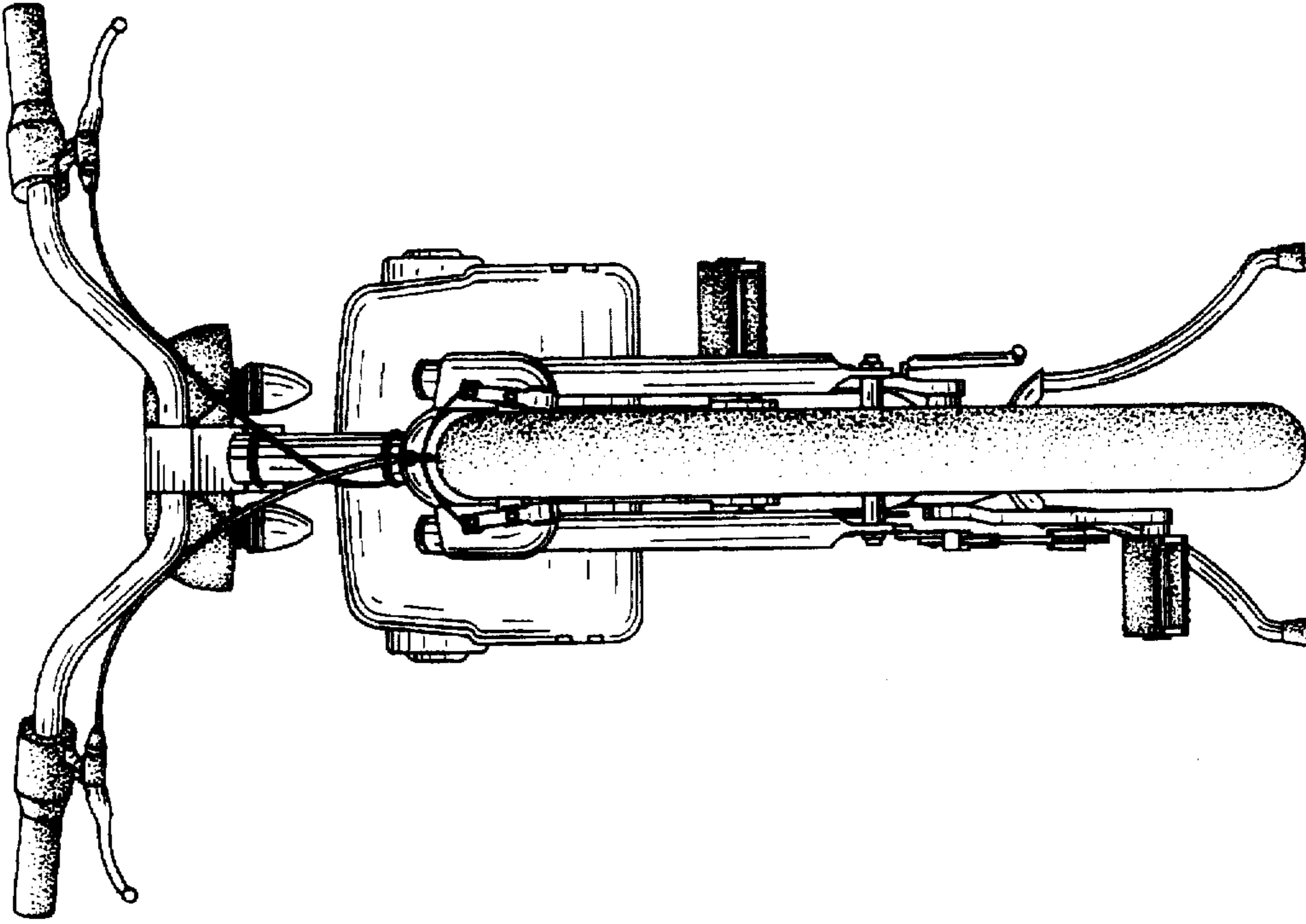


FIG. 5

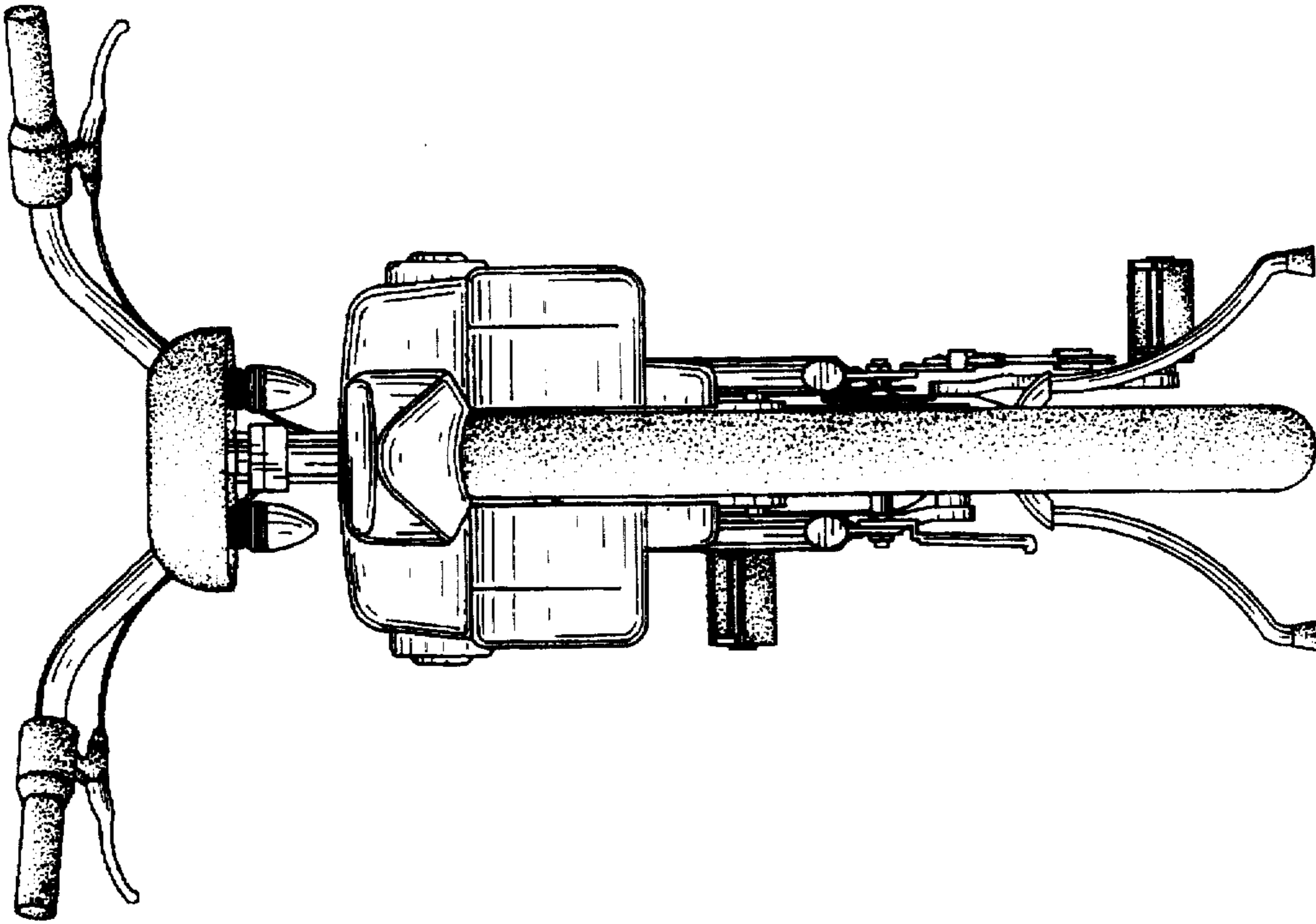


FIG. 4

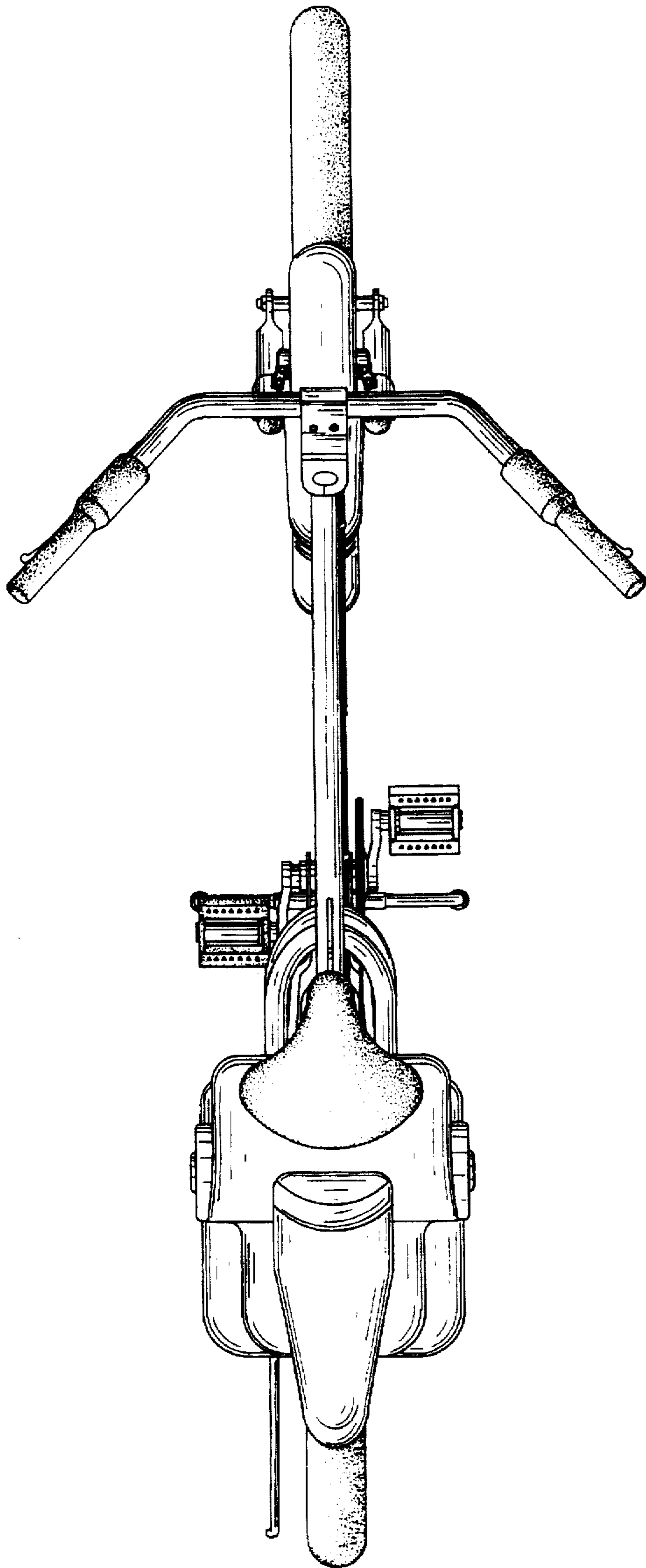


FIG. 6

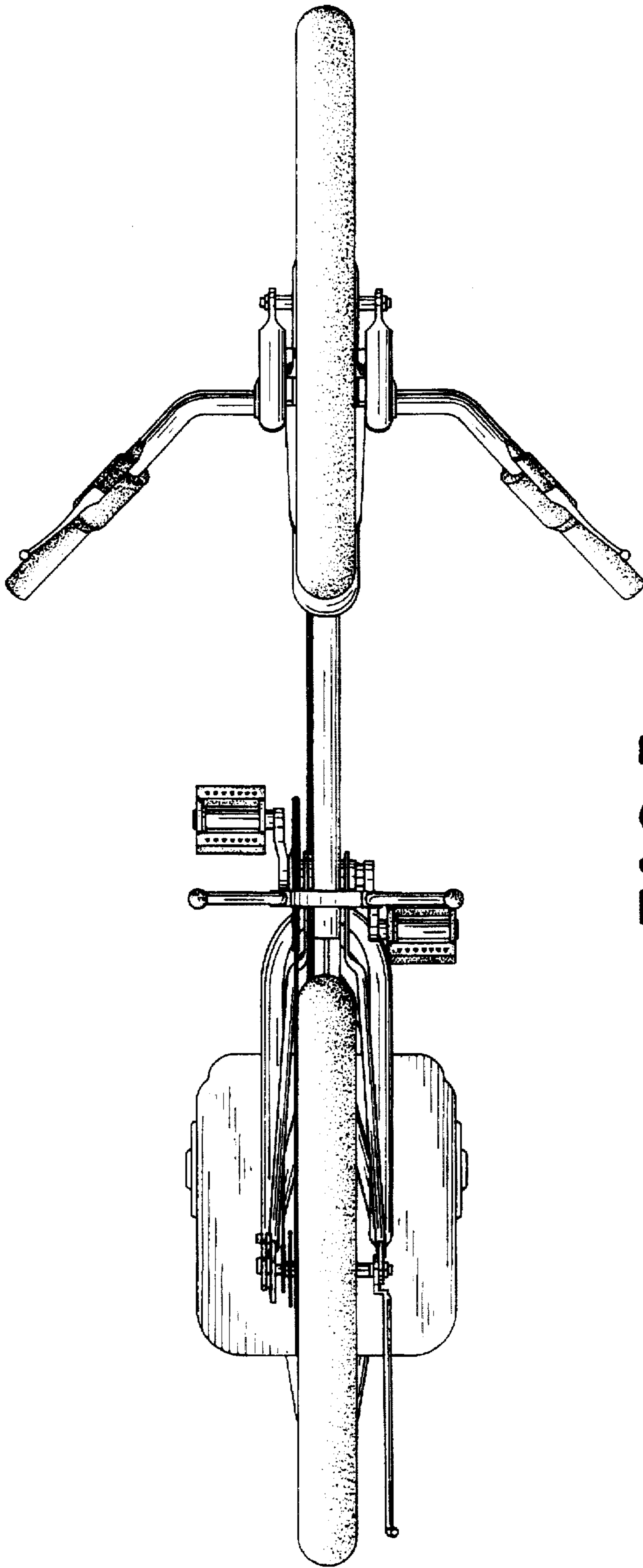


FIG. 7