



US00D390503S

# United States Patent [19]

Gleason et al.

[11] Patent Number: **Des. 390,503**

[45] Date of Patent: **\*\*Feb. 10, 1998**

[54] **EXPANDED JACK TUBE**

|           |        |                      |           |
|-----------|--------|----------------------|-----------|
| 3,750,811 | 8/1973 | Anderson et al. .... | 414/460   |
| 4,802,685 | 2/1989 | Godbersen .....      | 280/414.1 |
| 5,040,917 | 8/1991 | Godbersen .....      | 414/559   |

[75] Inventors: **Craig P. Gleason**, Stevens Point;  
**Richard L. Schocker**, Jefferson, both  
of Wis.

*Primary Examiner*—Melody N. Brown  
*Attorney, Agent, or Firm*—Edgar A. Zarins; Malcolm L.  
Sutherland

[73] Assignee: **Fulton Performance Products, Inc.**,  
Mosinee, Wis.

### [57] CLAIM

[\*\*] Term: **14 Years**

The ornamental design for an expanded jack tube, as shown  
and described.

[21] Appl. No.: **49,851**

### DESCRIPTION

[22] Filed: **Feb. 1, 1996**

[51] LOC (6) Cl. .... **12-10**

[52] U.S. Cl. .... **D12/106**

[58] Field of Search ..... D12/106; 34/31;  
280/414.1-414.3, 559

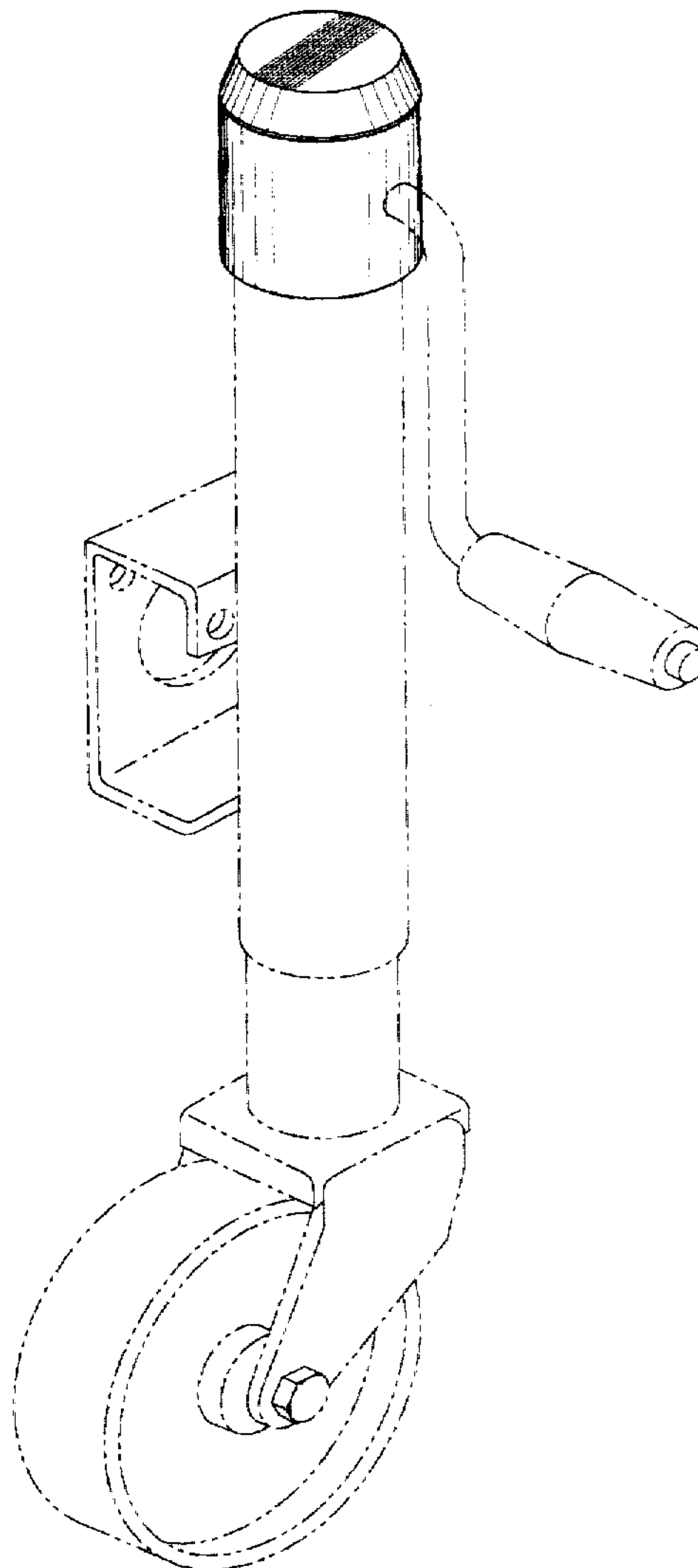
FIG. 1 is a perspective view of an expanded jack tube  
showing our new design;  
FIG. 2 is a top plan view thereof;  
FIG. 3 is a side elevational view thereof; and,  
FIG. 4 is an opposite side elevational view thereof.  
The broken lines are for environmental purposes only and do  
not form a part of the claimed design.

### [56] References Cited

#### U.S. PATENT DOCUMENTS

3,175,710 3/1965 Kistner ..... 414/559

**1 Claim, 2 Drawing Sheets**



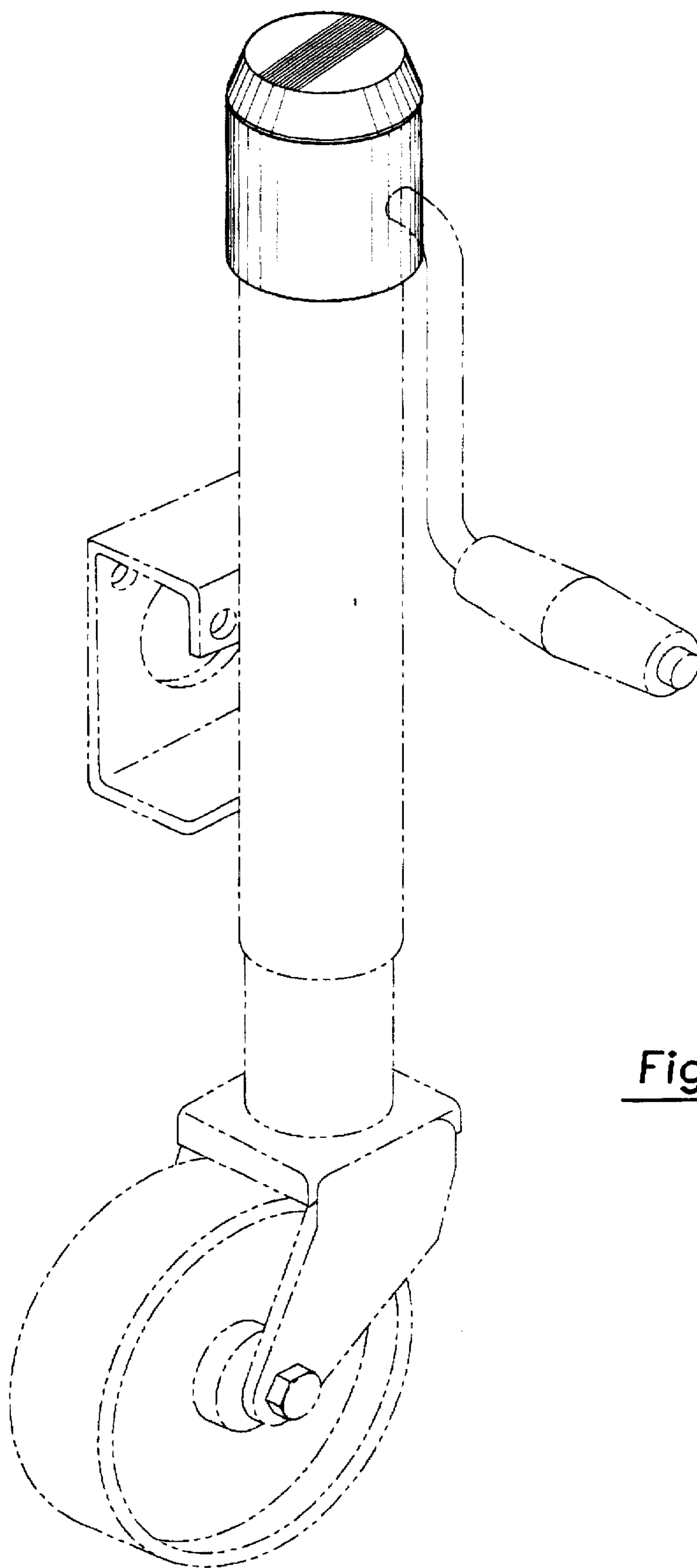


Fig-1

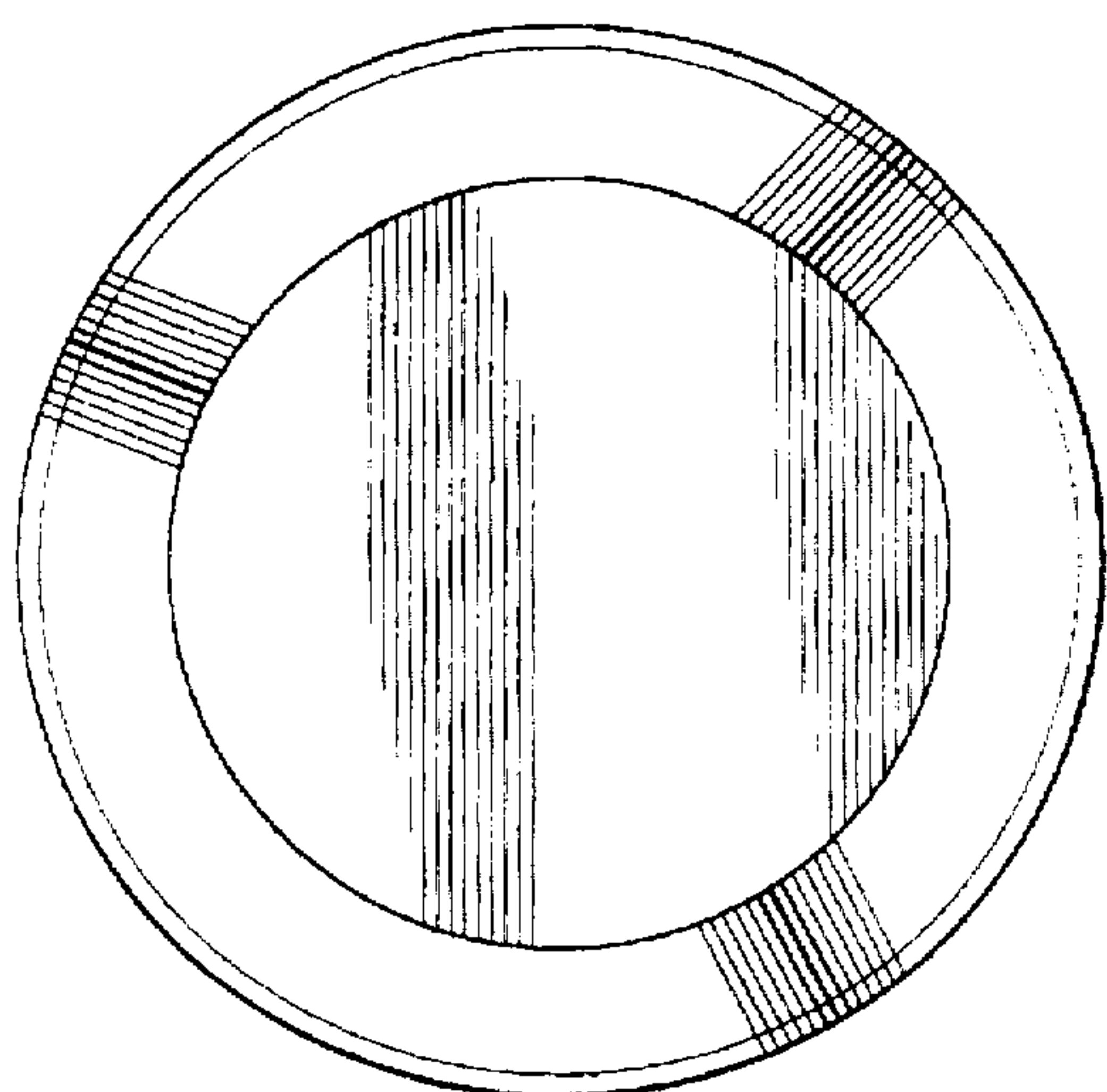


Fig-2

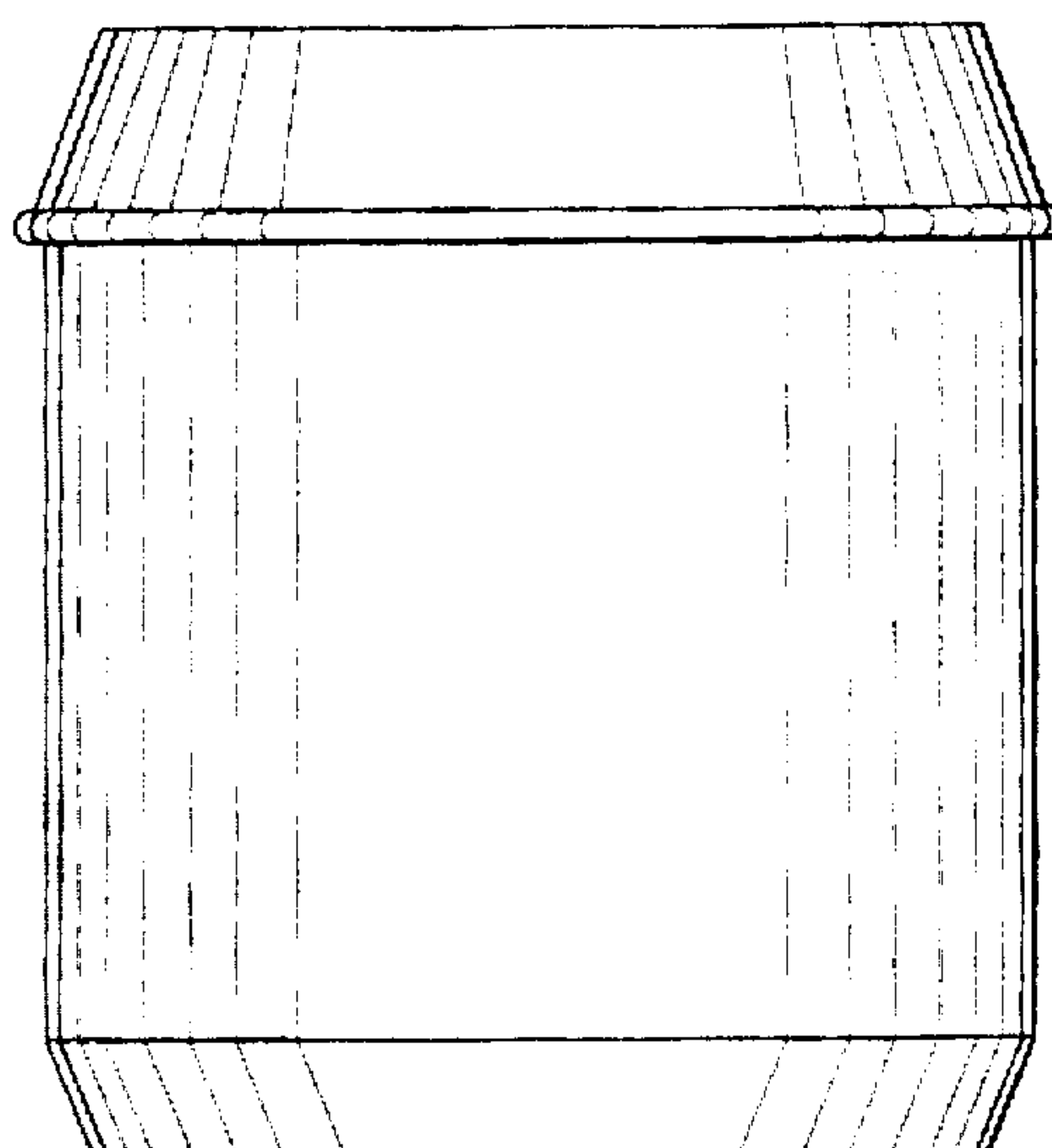


Fig-3

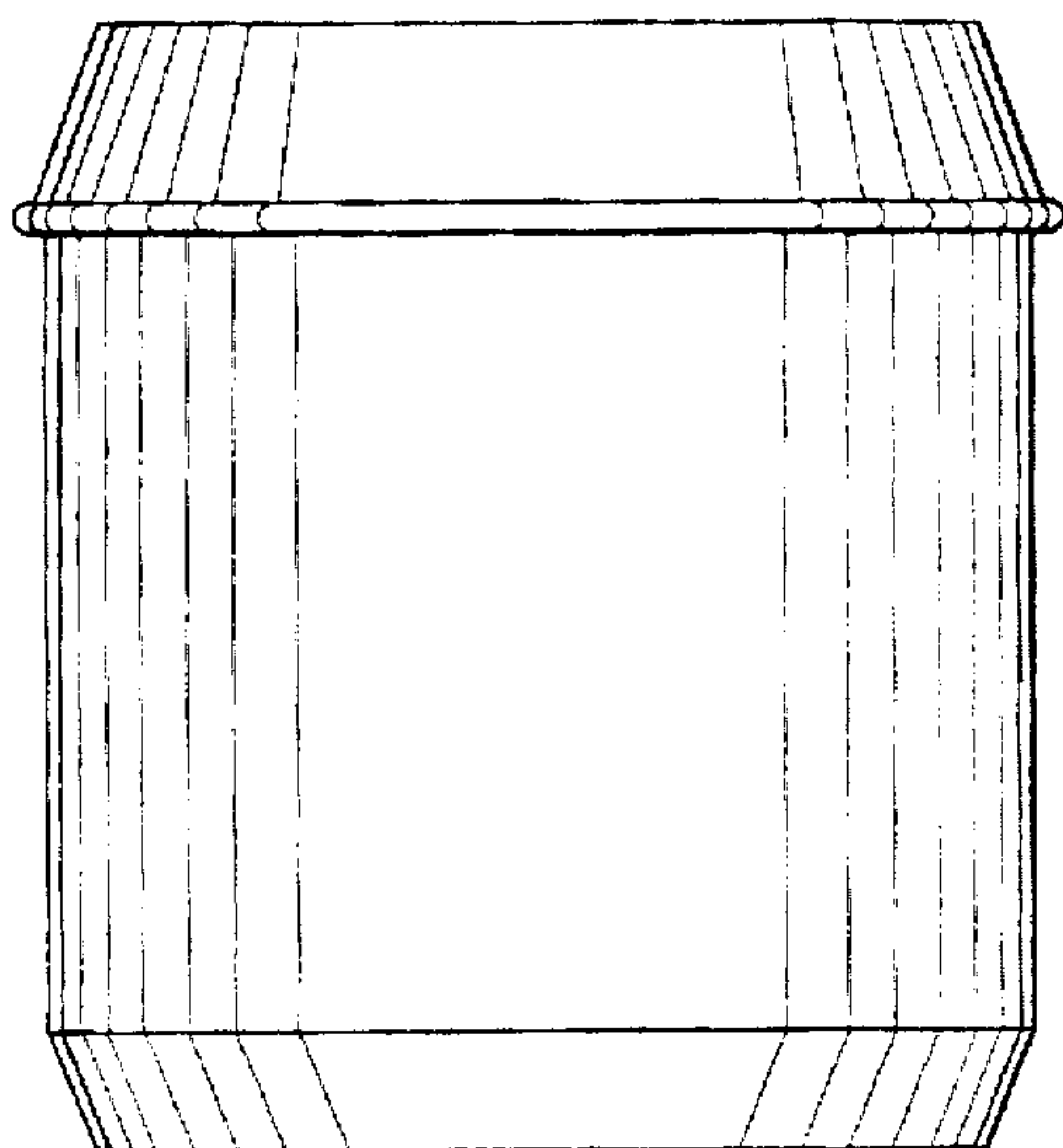


Fig-4