



US00D390500S

# United States Patent [19] Walker

[11] Patent Number: **Des. 390,500**  
[45] Date of Patent: **\*\*Feb. 10, 1998**

[54] **SKI SLED**

[76] Inventor: **Wade C. Walker, P.O. Box 279,  
Kalispell, Mont. 59903**

[\*\*] Term: **14 Years**

[21] Appl. No.: **61,507**

[22] Filed: **Oct. 23, 1996**

[51] LOC (6) Cl. .... **12-14**

[52] U.S. Cl. .... **D12/9; D12/6**

[58] Field of Search ..... **D12/6, 8, 9; 280/845,  
280/14.1, 14.2, 14.3, 16, 18, 21, 22, 23.1,  
24**

2,294,704	9/1942	Ware .....	280/23 X
2,564,420	8/1951	Brown .....	280/21 X
5,090,714	2/1992	Seekins .....	280/24
5,205,570	4/1993	Brown .....	280/24
5,344,167	9/1994	Strouth .....	280/14.1
5,433,458	7/1995	Kampe .....	280/14.3

### OTHER PUBLICATIONS

Beard, D.C., "The American Boys Handy Book," Prior to Sep. 1995, Chapter XXIX, pp. 276, 277.  
Windsor, H.H., "The Boy Mechanic—vol. I," 1913, p. 381.

Primary Examiner—Nelson C. Holtje  
Attorney, Agent, or Firm—Wells, St. John, Roberts, Gregory & Matkin P.S.

### [56] References Cited

#### U.S. PATENT DOCUMENTS

D. 159,950	9/1950	Brown .....	D12/6
D. 305,312	1/1990	Wright .....	D12/9
D. 314,361	2/1991	Weiss .....	D12/9
504,941	9/1893	Regnstrom .....	280/14.2
1,150,378	8/1915	Maki .....	280/14.2
1,354,995	10/1920	Oldakowski .....	280/14.2
1,405,858	2/1922	Nilsson .....	280/14.2 X
1,458,392	6/1923	Carlson .....	280/14.2
1,479,871	1/1924	Pearson .....	280/14.2
1,481,520	1/1924	Maki .....	280/14.2
1,492,097	4/1924	Holm .....	280/14.2
1,509,546	9/1924	Dale .....	280/14.2
1,517,379	12/1924	Norberg .....	280/14.2
1,553,761	9/1925	Erickson .....	280/14.2
1,606,425	11/1926	Johanson .....	280/14.2
1,612,663	12/1926	Strand .....	280/14.2
1,718,787	6/1929	Jorgensen .....	280/14.2
1,754,011	8/1930	Clarke .....	280/14.2
2,096,893	10/1937	Gilbert .....	280/23 X
2,105,360	1/1938	Nodland .....	280/23 X
2,209,508	7/1940	Carlson .....	280/23 X

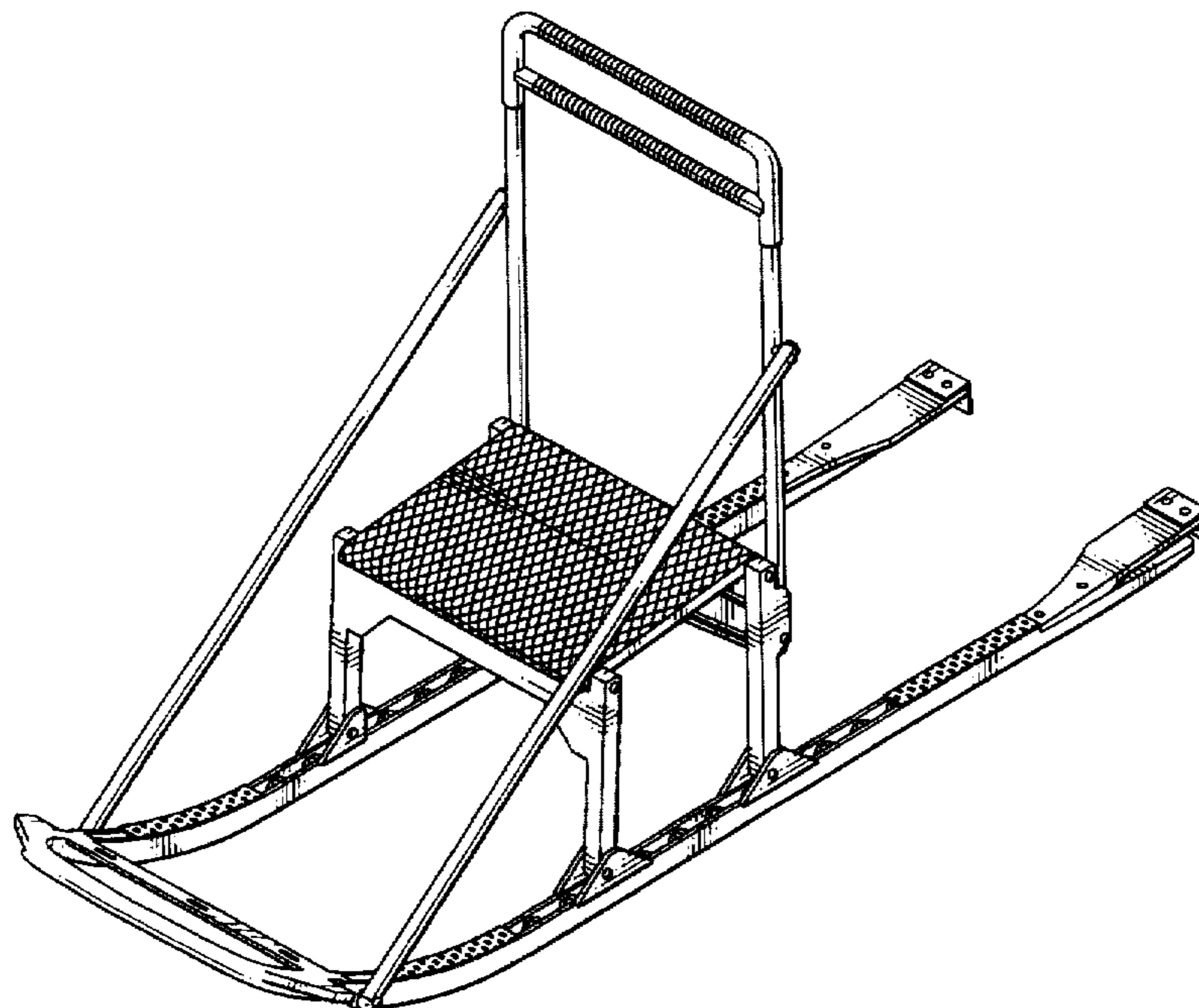
### [57] CLAIM

The ornamental design for a ski sled, as shown and described.

### DESCRIPTION

FIG. 1 is a perspective view illustrating a first preferred form of the present design;  
FIG. 2 is a side elevation view thereof, the opposite side being a mirror image;  
FIG. 3 is a top plan view thereof;  
FIG. 4 is a bottom plan view thereof;  
FIG. 5 is an enlarged front end view thereof;  
FIG. 6 is an enlarged rear end view thereof;  
FIG. 7 is an enlarged fragmentary sectional view taken substantially along line 7—7 in FIG. 3;  
FIG. 8 is an enlarged sectional view taken along line 8—8 in FIG. 5;  
FIG. 9 is an enlarged sectional view of a plane surface along line 9—9 in FIG. 7; and,  
FIG. 10 is a side elevation view thereof in a folded condition.

1 Claim, 8 Drawing Sheets



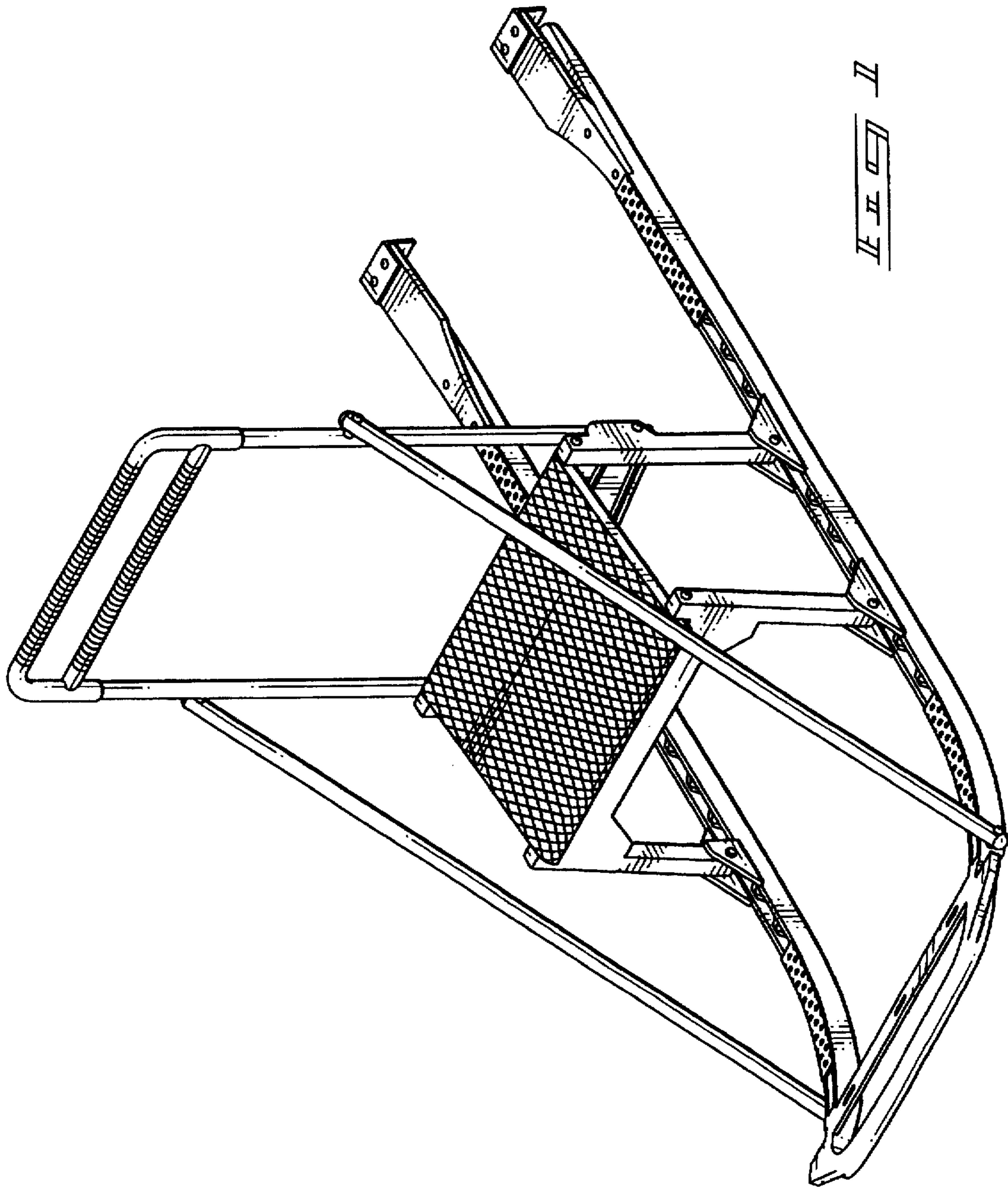


Fig. 1

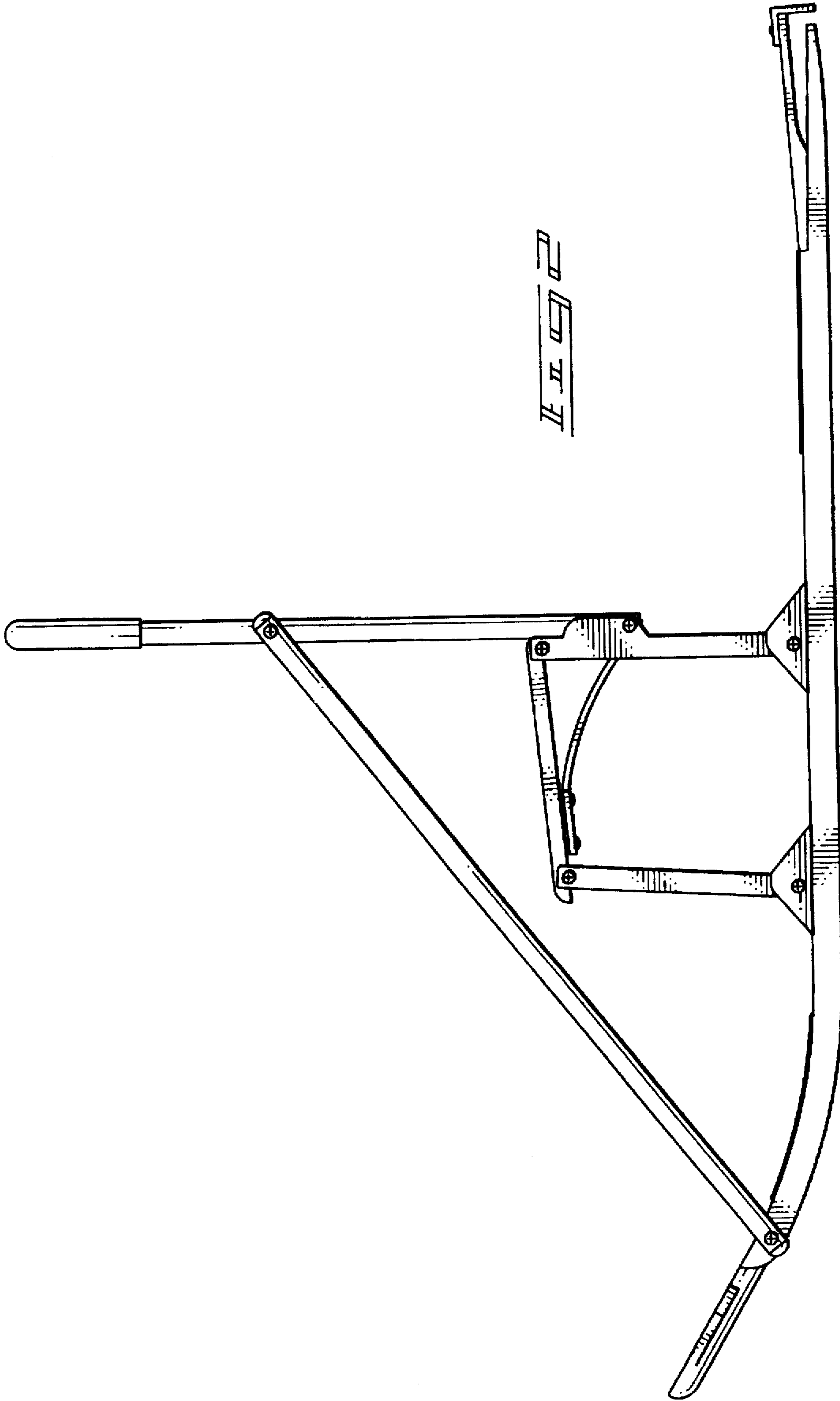


FIG. 2

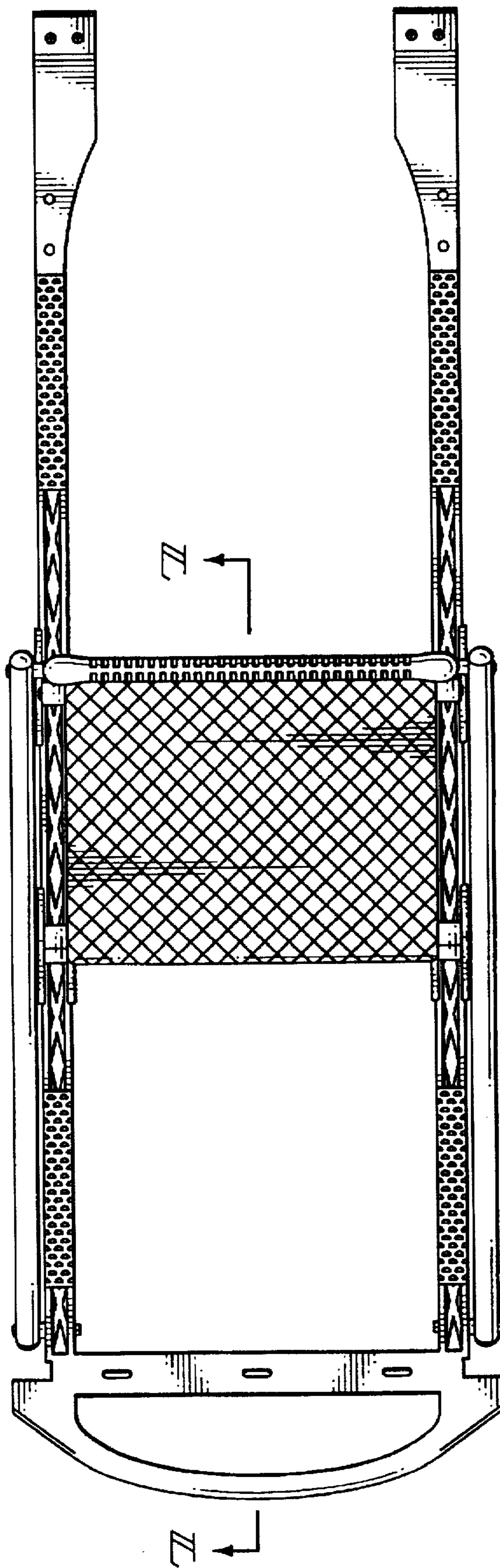


FIG. 3

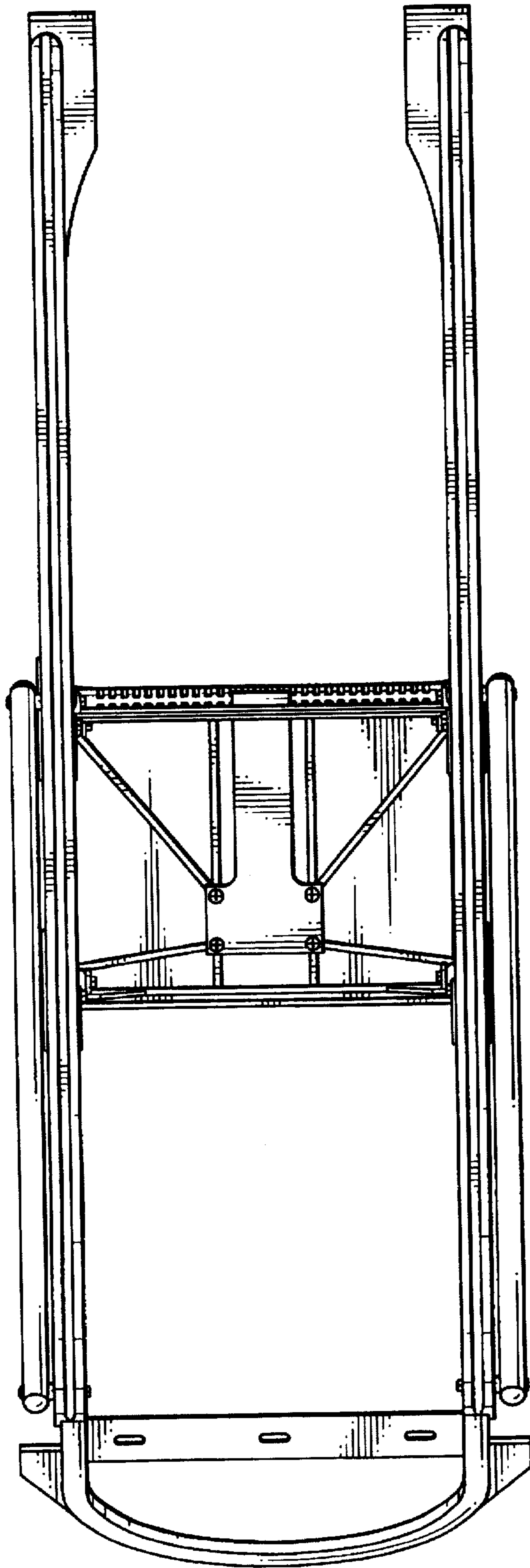


FIG. 4

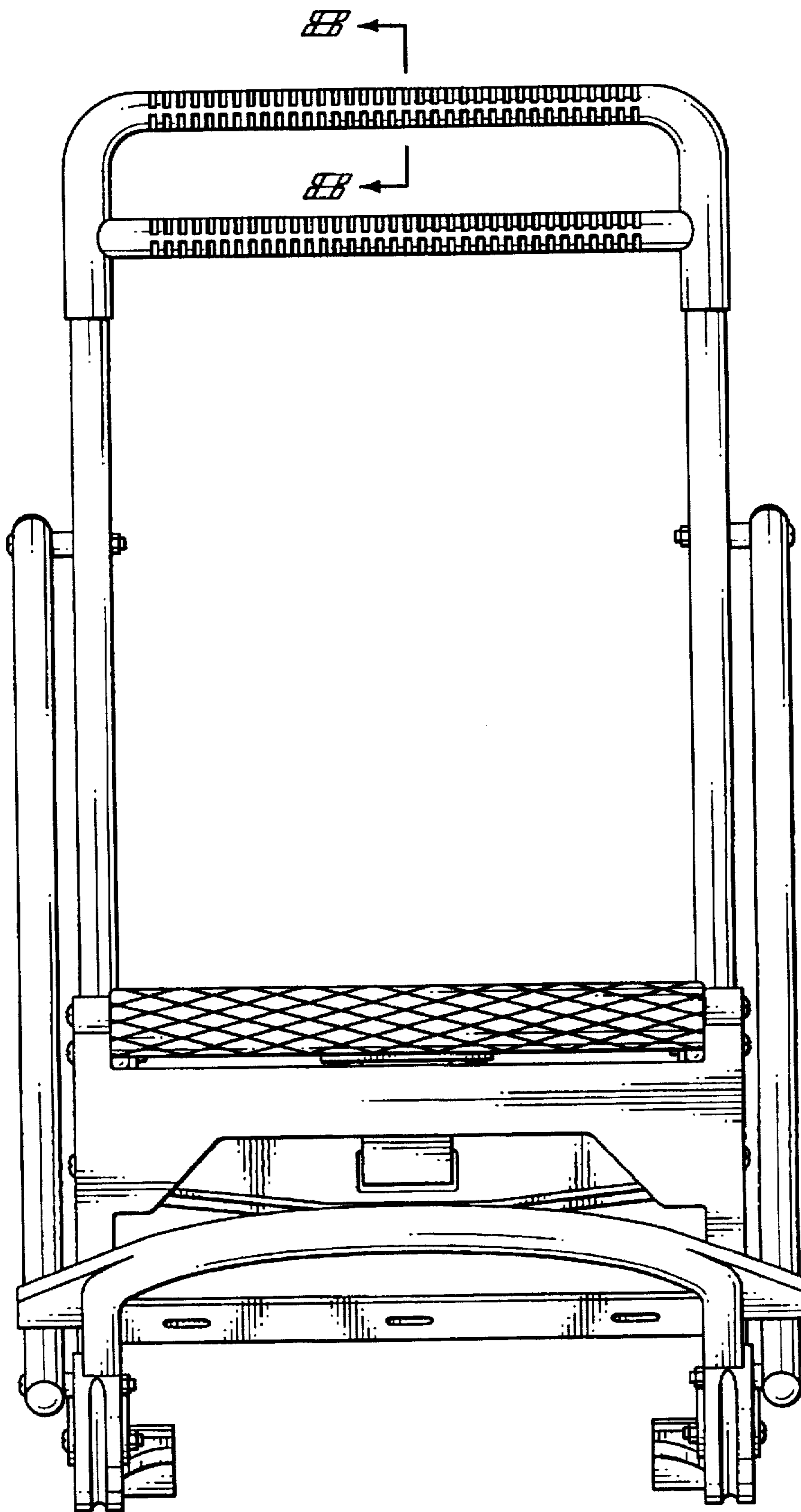


Fig. 5

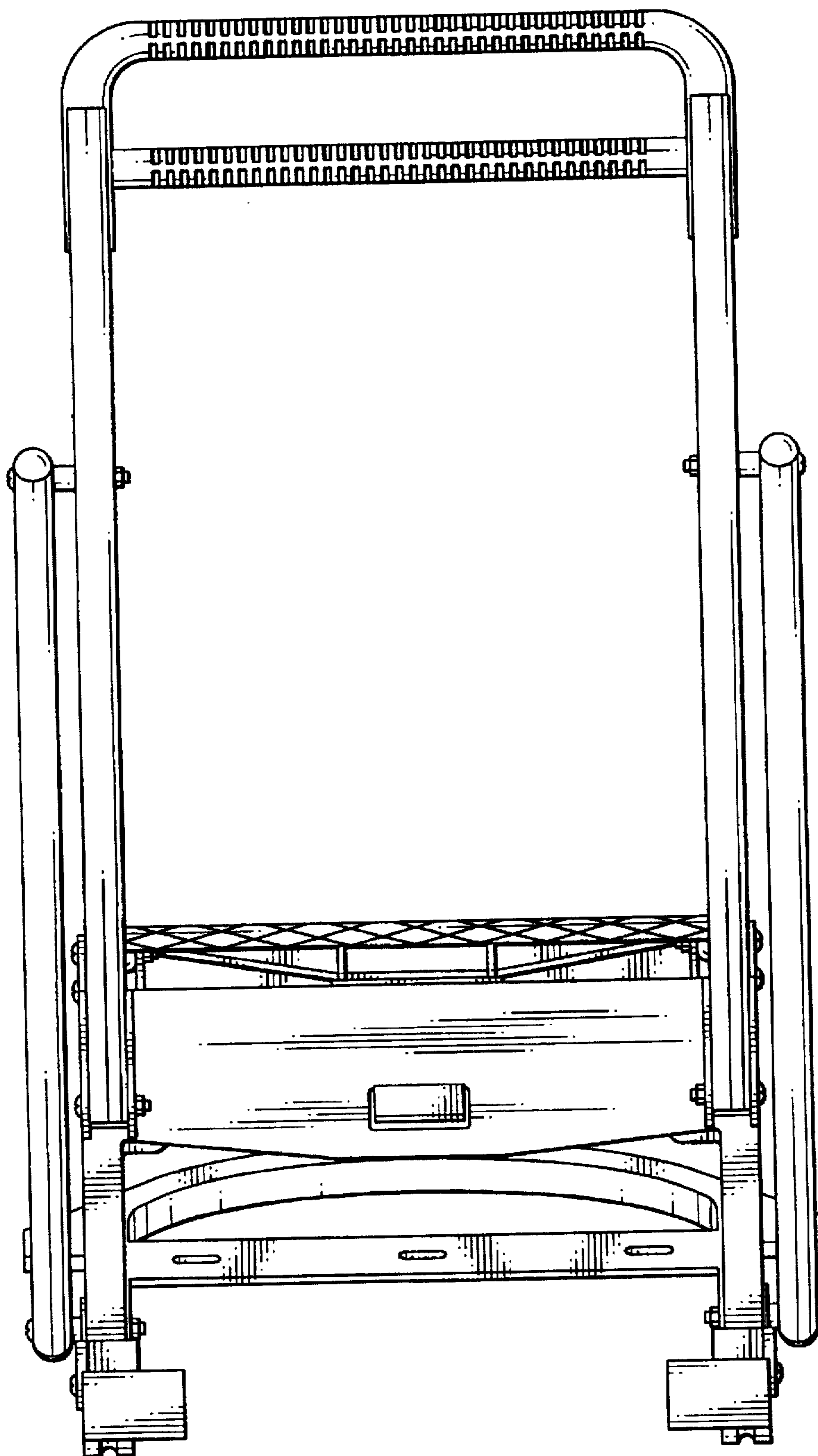
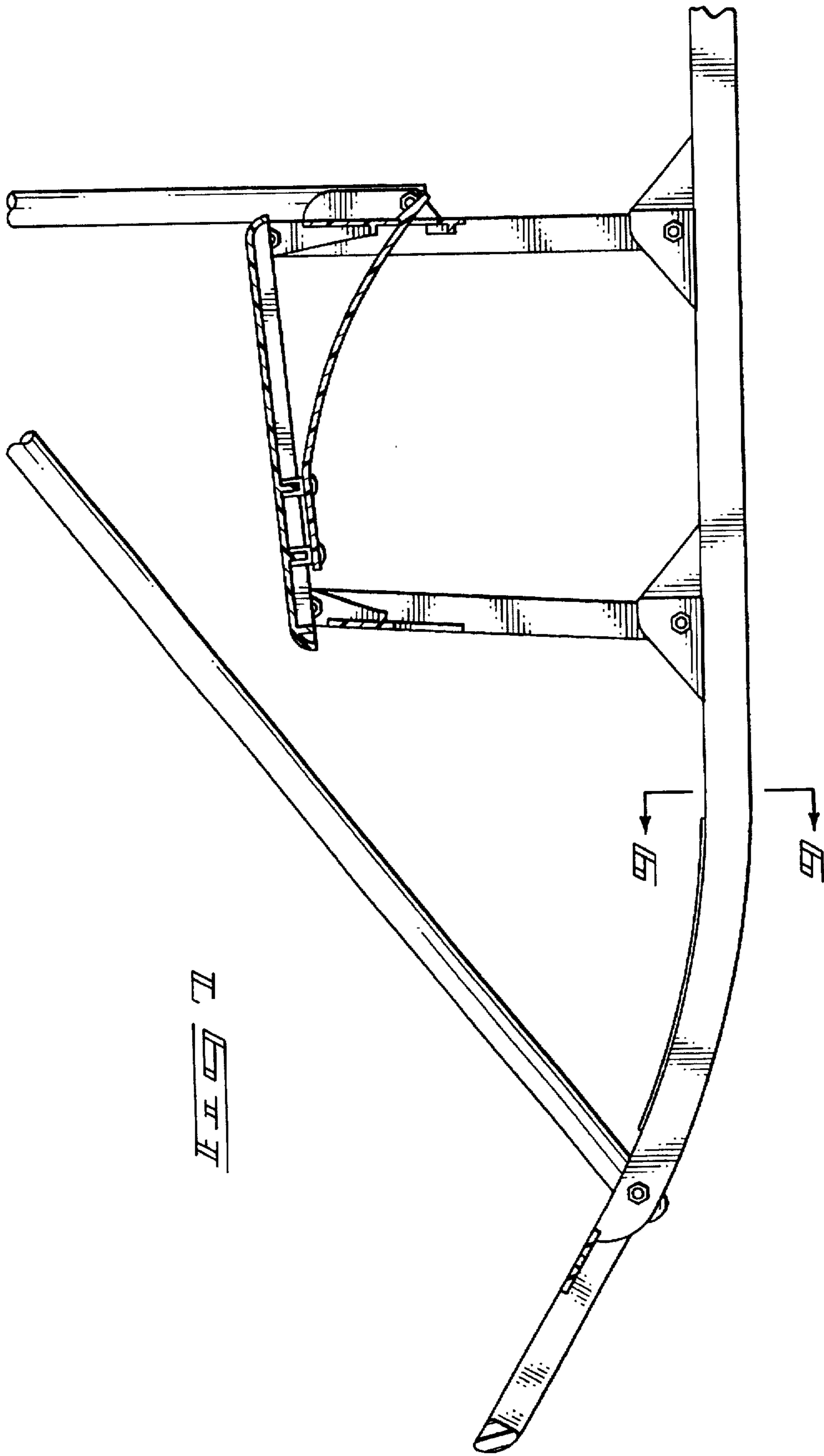


Fig. 6





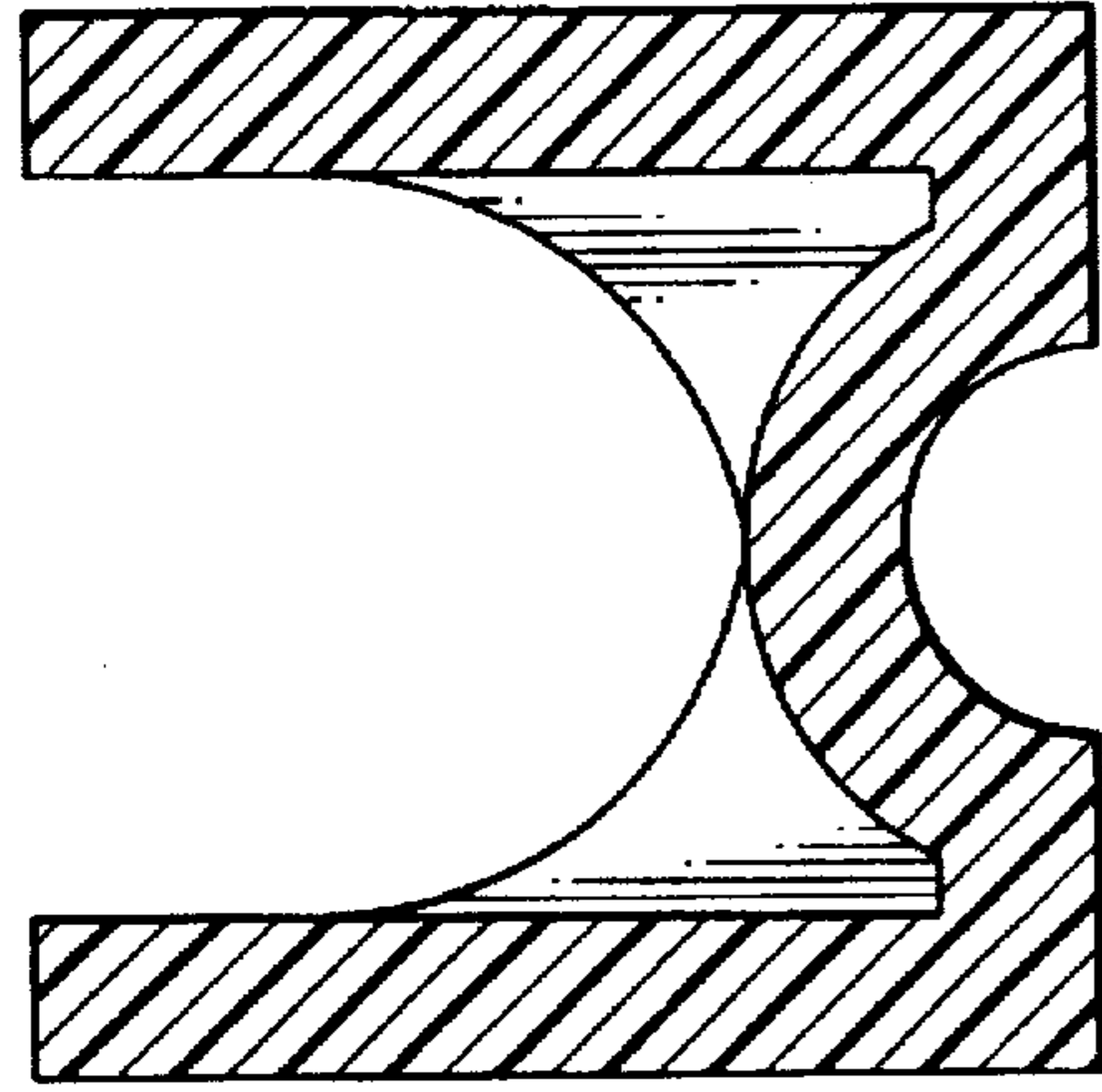


FIG. 8

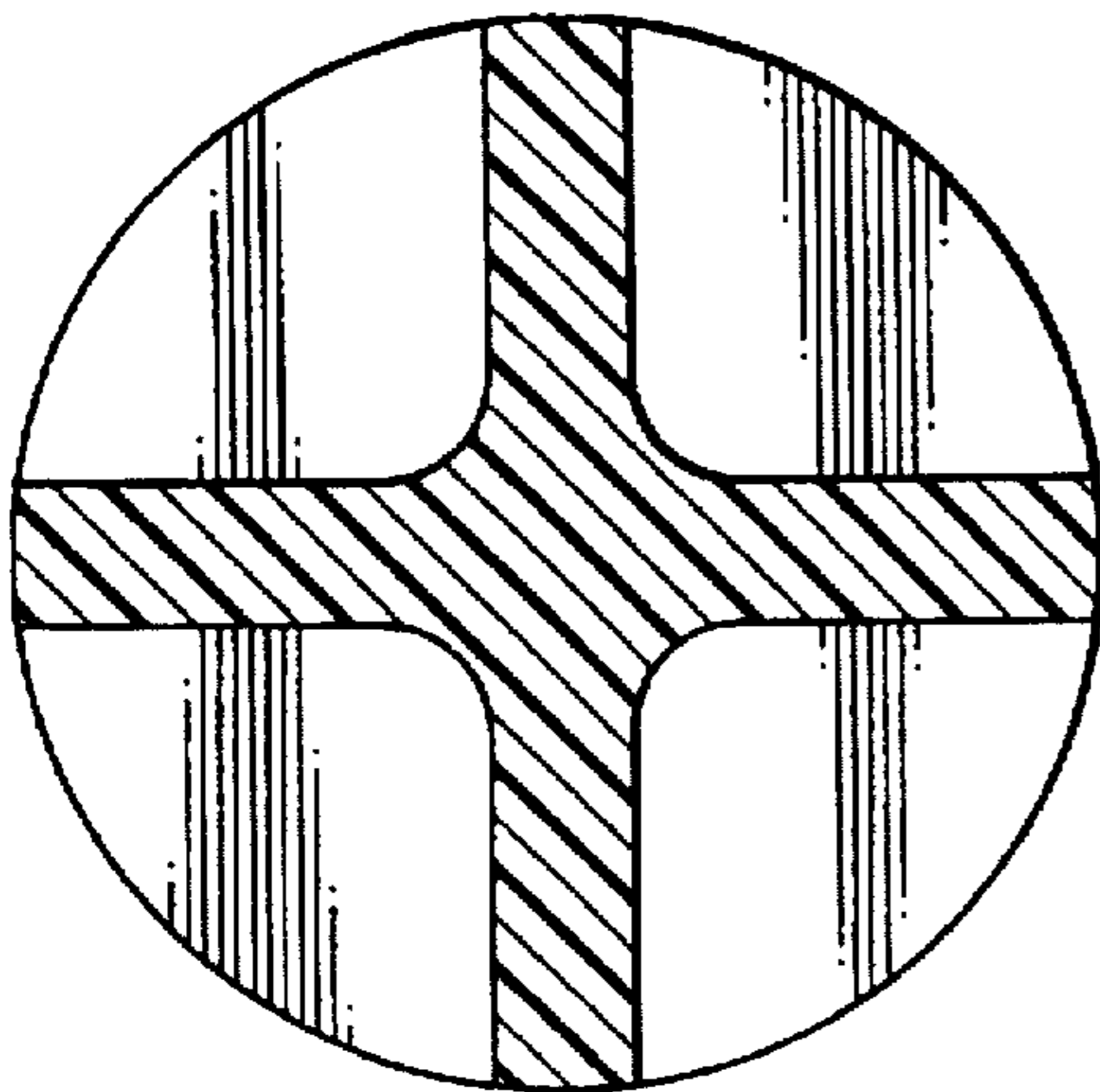


FIG. 9

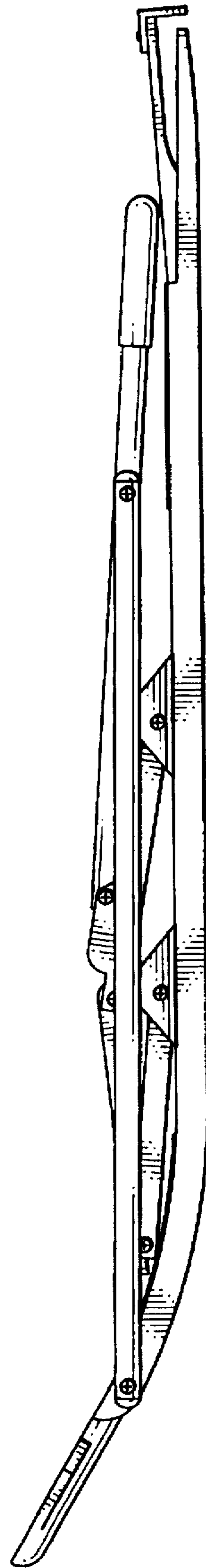


FIG. 10