



US00D390489S

United States Patent [19]

[11] Patent Number: **Des. 390,489**

Behrens

[45] Date of Patent: ****Feb. 10, 1998**

[54] **ROPE REMOVAL HOOK AND SIGNALLING FLAG FOR RODEO EVENTS**

2,601,088	6/1952	Burgess	D10/109
3,016,035	1/1962	Asbury	D10/109
3,023,725	3/1962	Boyd	D10/109
3,046,934	7/1962	Swezy	D10/109
3,421,473	1/1969	Weichenrieder	D10/109

[76] Inventor: **Kathie J. Behrens**, 4830 Orange Blvd., Sanford, Fla. 32771

[**] Term: **14 Years**

Primary Examiner—Marcus A. Jackson
Attorney, Agent, or Firm—William M. Hobby, III

[21] Appl. No.: **47,713**

[57] **CLAIM**

[22] Filed: **Dec. 11, 1995**

The ornamental design for a rope removal hook and signalling flag for rodeo events, as shown and described.

[51] LOC (6) Cl. **10-05**

[52] U.S. Cl. **D10/109**

[58] Field of Search D19/109, 111, D19/110, 117; D11/165, 166, 181, 182, 183; 116/29, 30, 28 R, 173, 174, 175

DESCRIPTION

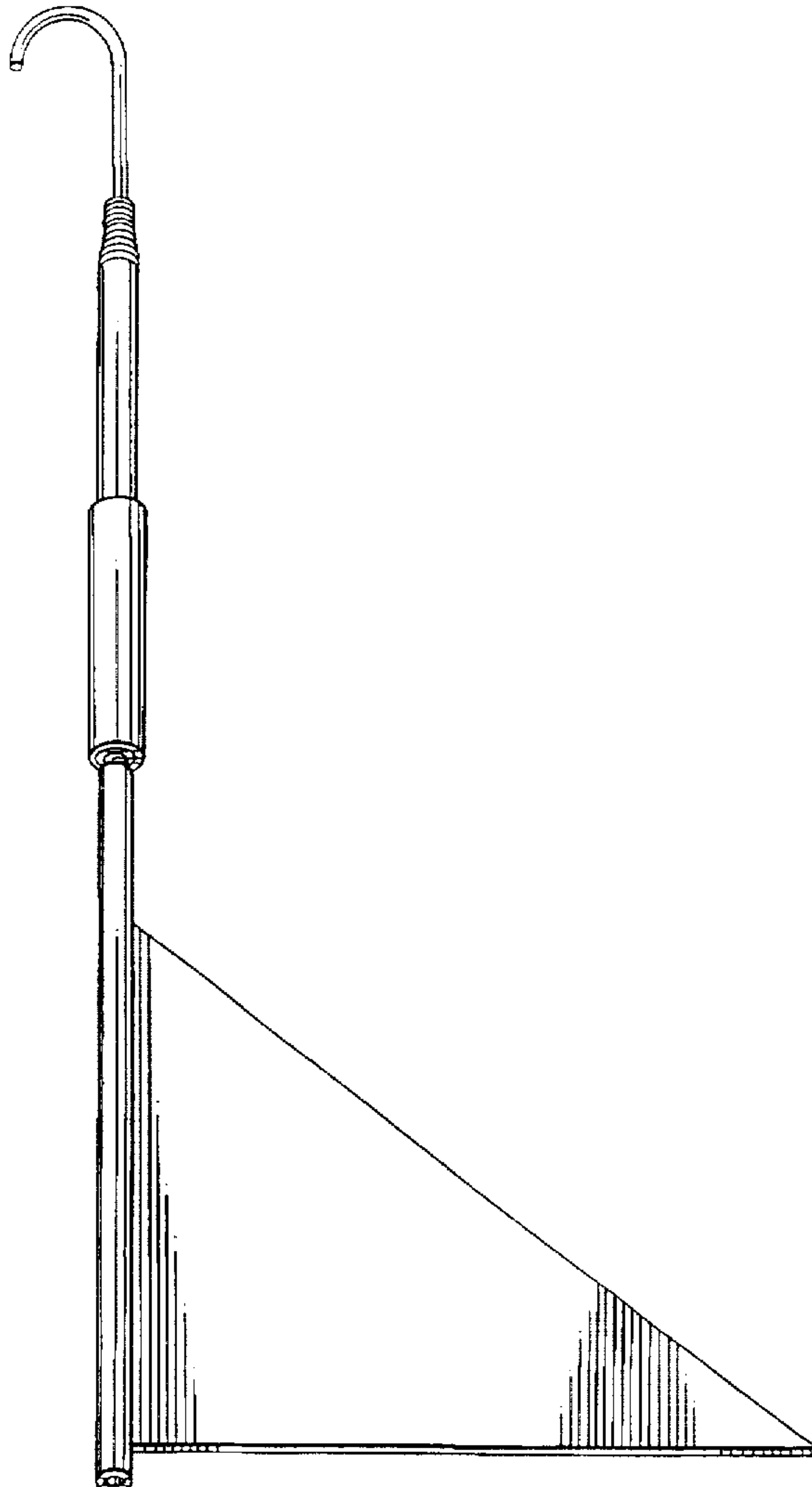
FIG. 1 is a left side elevation of a rope removal hook and signalling flag for rodeo events;
FIG. 2 is a top plan view;
FIG. 3 is a bottom plan view;
FIG. 4 is a front side elevation;
FIG. 5 is a rear side elevation; and,
FIG. 6 is a right side elevation of the extended roping hook and flag.

[56] **References Cited**

U.S. PATENT DOCUMENTS

D. 363,249	10/1995	Castillo	D10/109
D. 363,446	10/1995	MacDonald	D10/109
D. 370,182	5/1996	Marvis et al.	D10/109
D. 375,274	11/1996	Malone, II et al.	D10/109

1 Claim, 2 Drawing Sheets



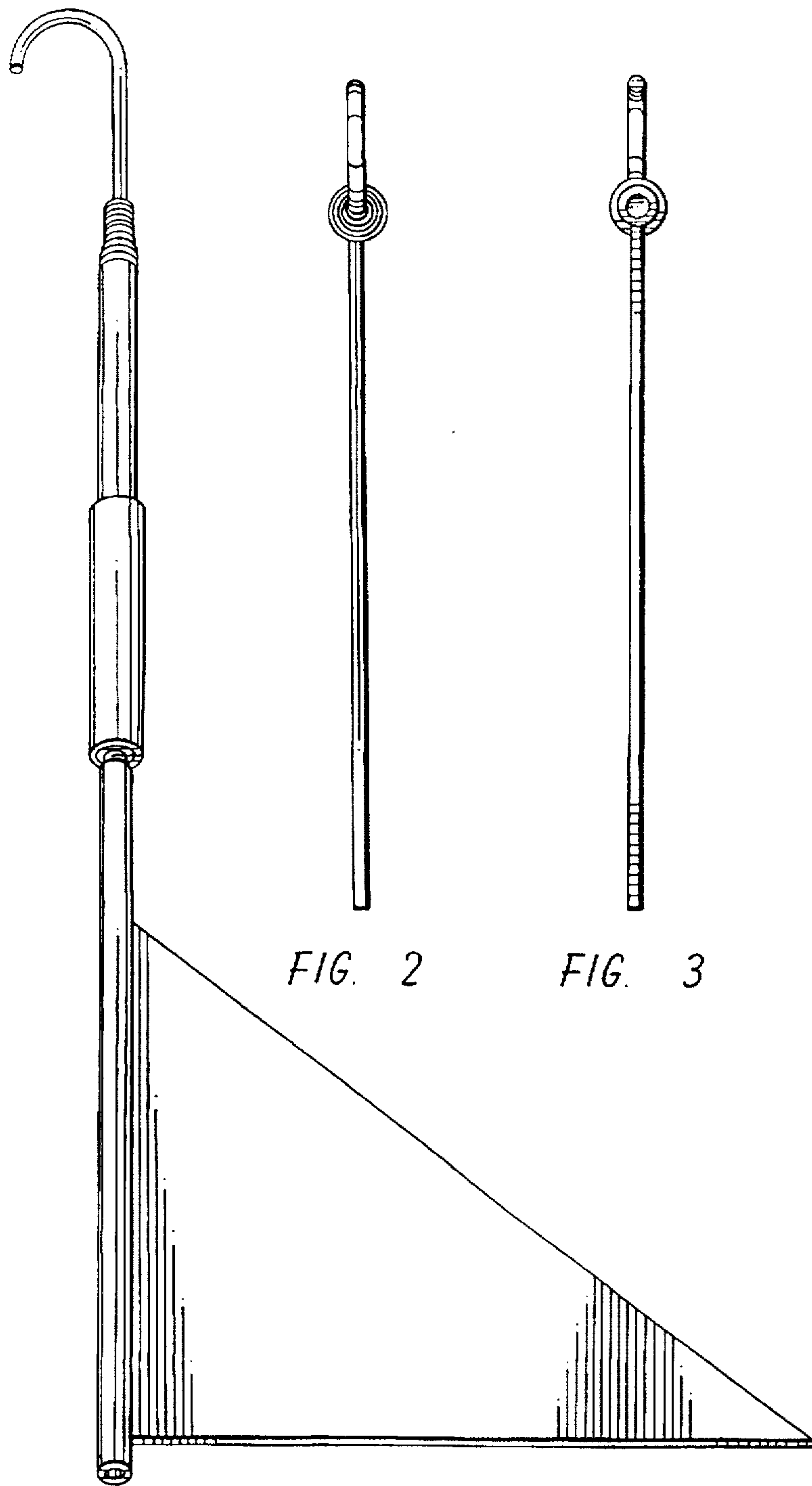


FIG. 2

FIG. 3

FIG. 1

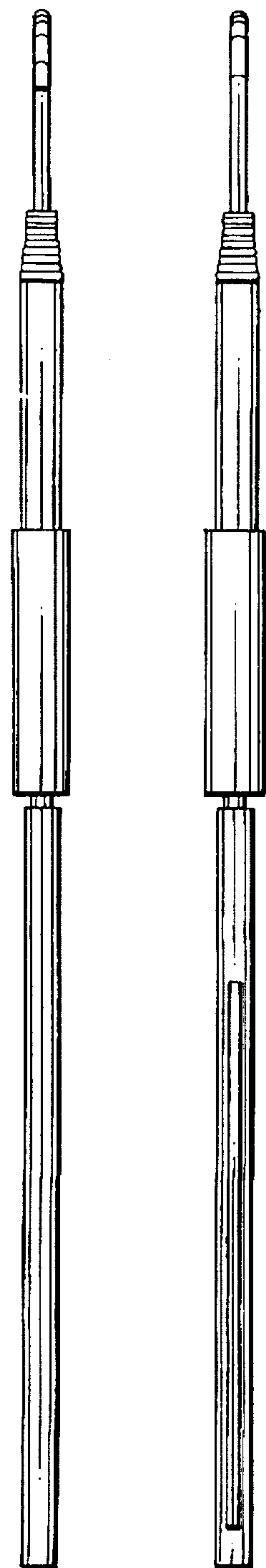


FIG. 4 FIG. 5

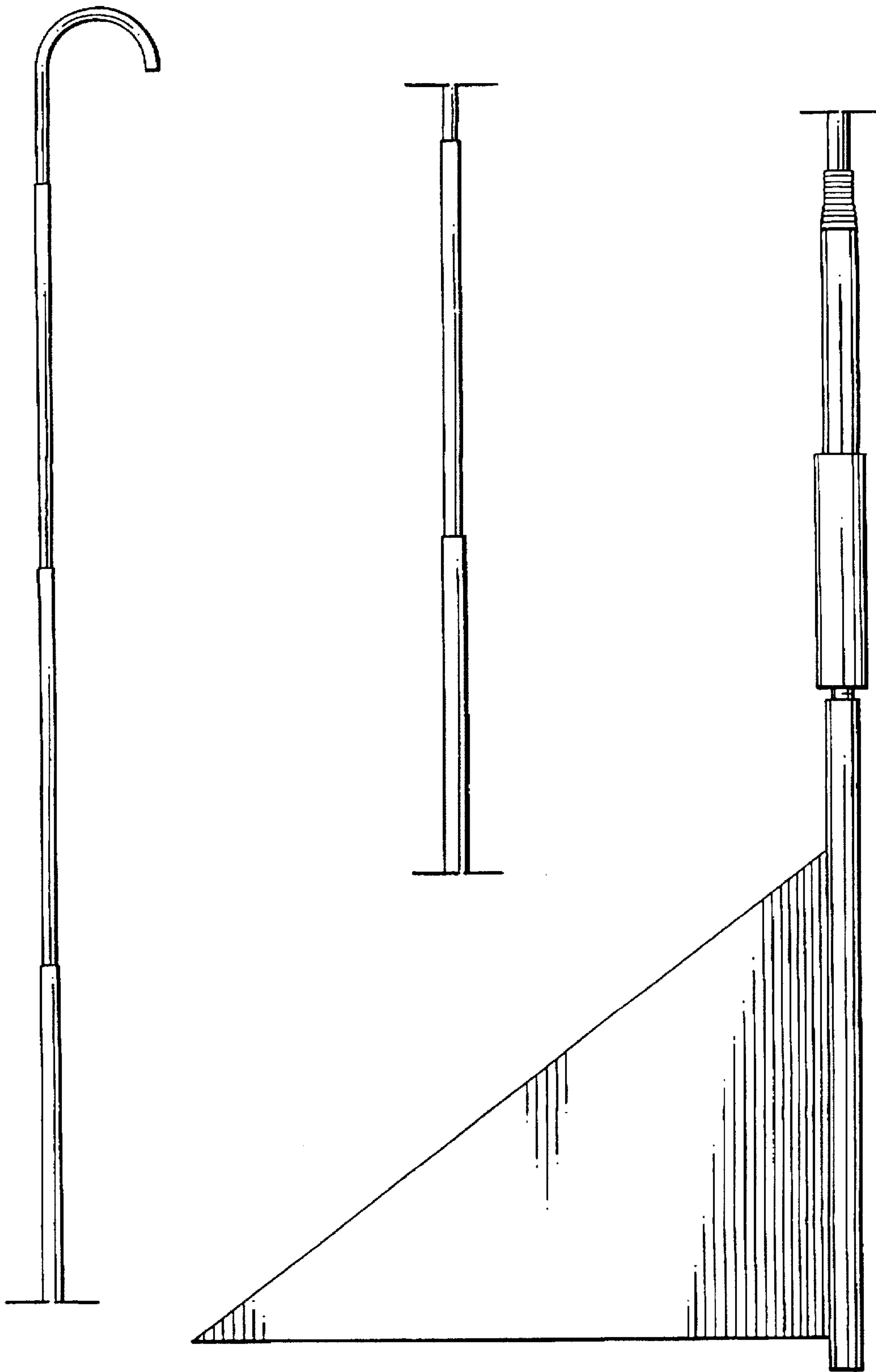


FIG. 6