



US00D390484S

United States Patent [19]
Nishimura et al.

[11] **Patent Number: Des. 390,484**
[45] **Date of Patent: **Feb. 10, 1998**

[54] **RADAR DISPLAY UNIT**

4,706,909 11/1987 Hashiguchi et al. 342/182 X
4,940,987 7/1990 Frederick 342/180 X
5,136,301 8/1992 Bechtold et al. 342/176

[75] **Inventors: Shinichiro Nishimura, Tokyo; Shigeru Namaizawa, Koganei; Toshiro Taki; Tomokazu Abe, both of Hachioji, all of Japan**

Primary Examiner—Antoine Duval Davis
Attorney, Agent, or Firm—Frishauf, Holtz, Goodman, Langer & Chick

[73] **Assignee: Japan Radio Co., Ltd., Tokyo, Japan**

[**] **Term: 14 Years**

[57] **CLAIM**

The ornamental design for radar display unit, as shown.

[21] **Appl. No.: 68,006**

DESCRIPTION

[22] **Filed: Mar. 14, 1997**

[30] **Foreign Application Priority Data**

FIG. 1 is a perspective view of radar display unit, showing our new design;

Sep. 25, 1996 [JP] Japan 8-28514

FIG. 2 is a front view thereof;

[51] **LOC (6) Cl. 10-04**

FIG. 3 is a rear view thereof;

[52] **U.S. Cl. D10/75**

FIG. 4 is a right side view thereof;

[58] **Field of Search D10/46, 75; D14/100,**

FIG. 5 is a left side view thereof;

D14/105, 106, 107; D18/36-39; 340/977;
342/175-186

FIG. 6 is a top plan view thereof; and,

FIG. 7 is a bottom plan view thereof.

[56] **References Cited**

U.S. PATENT DOCUMENTS

D. 357,197 4/1995 Suzuki D10/65

1 Claim, 6 Drawing Sheets

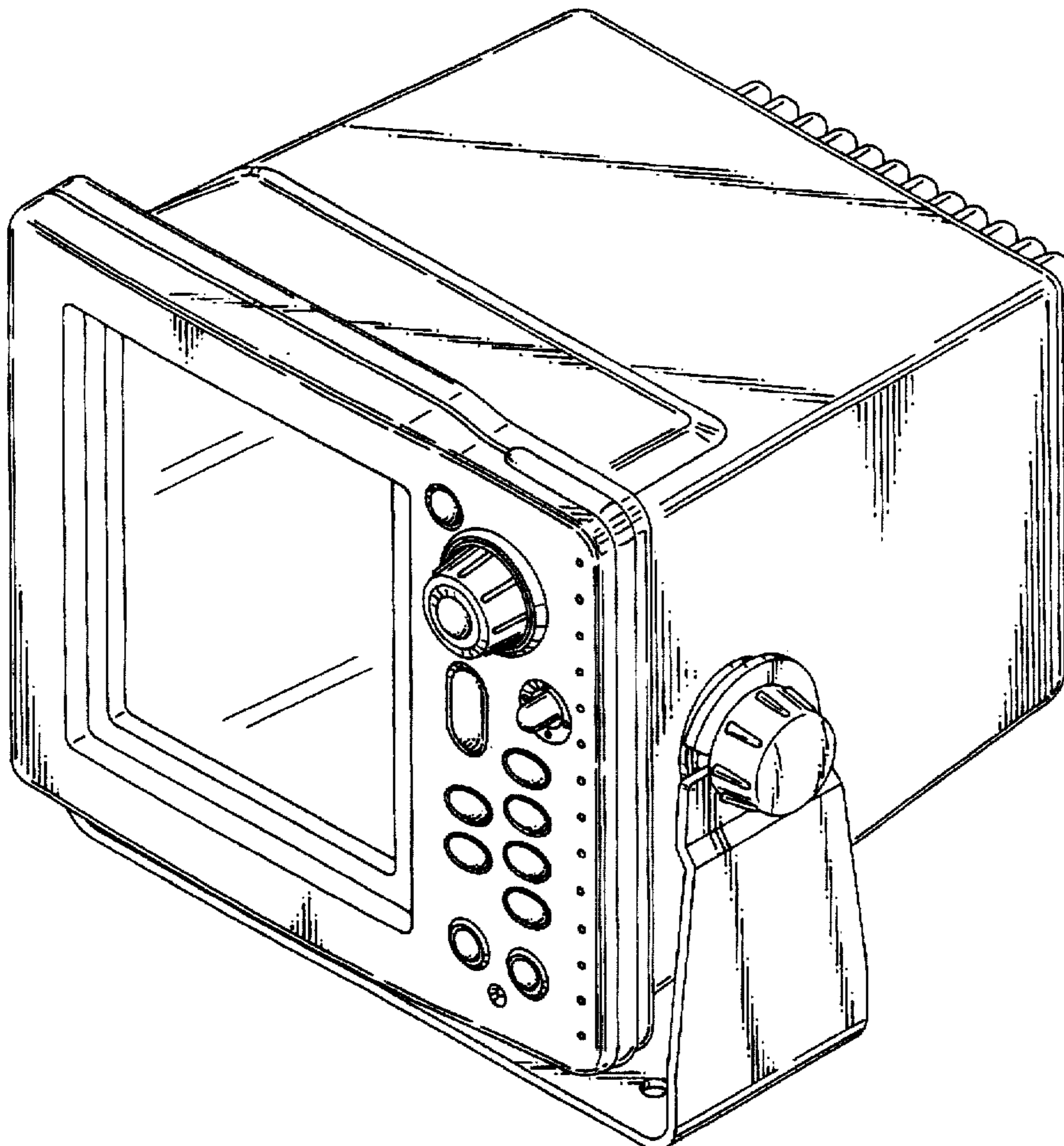


FIG. 1

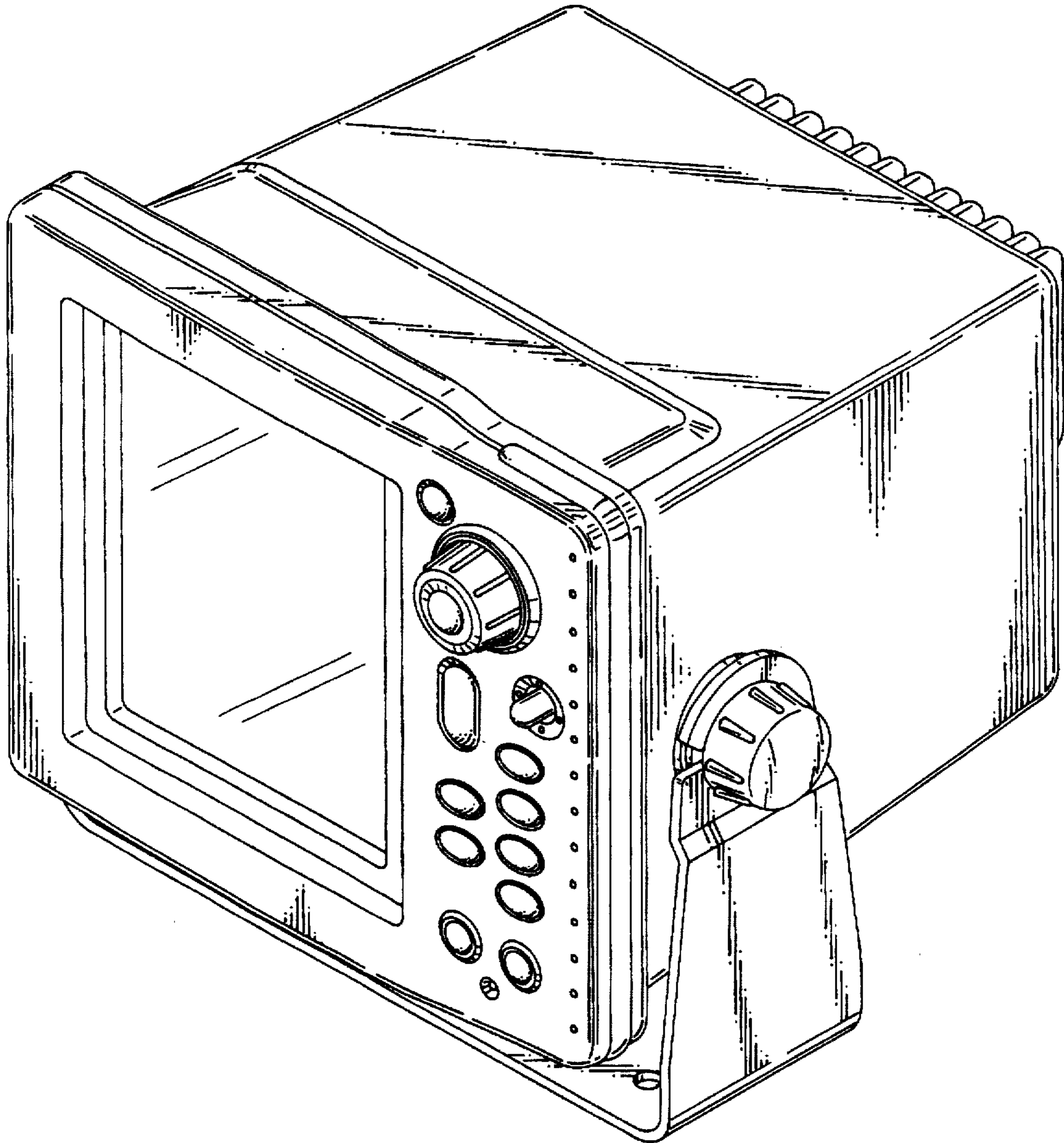


FIG. 2

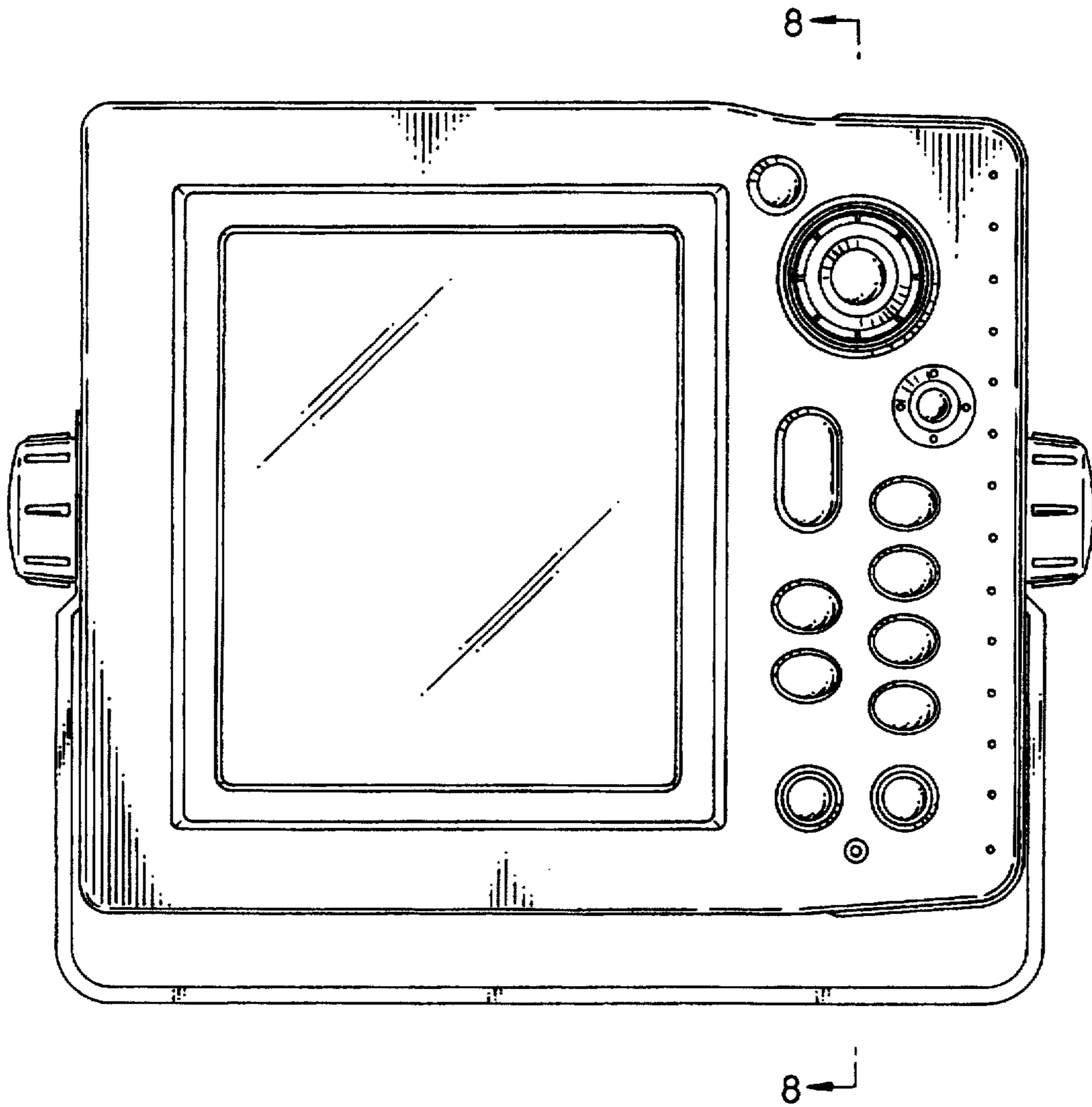


FIG. 3

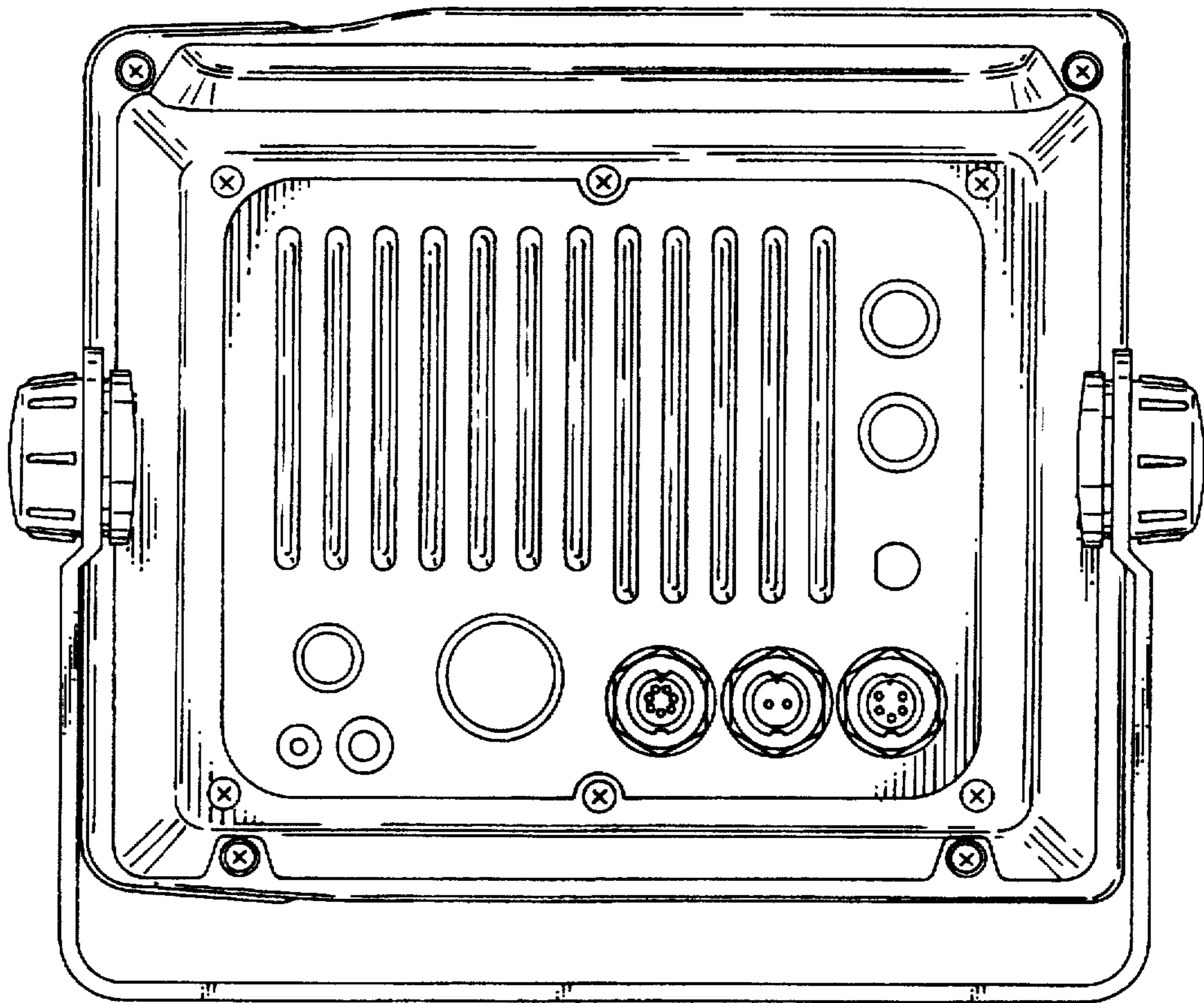


FIG. 4

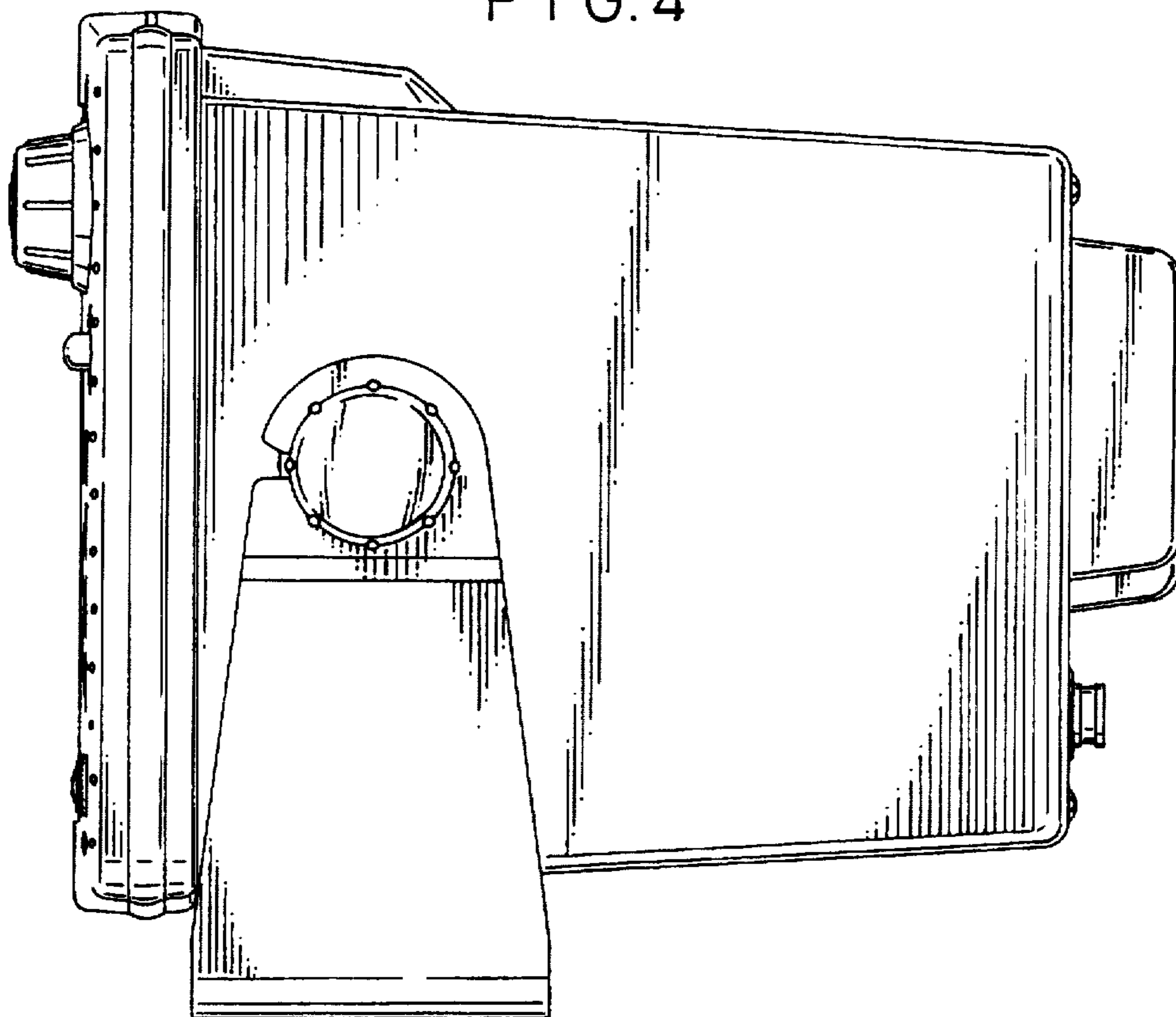


FIG. 5

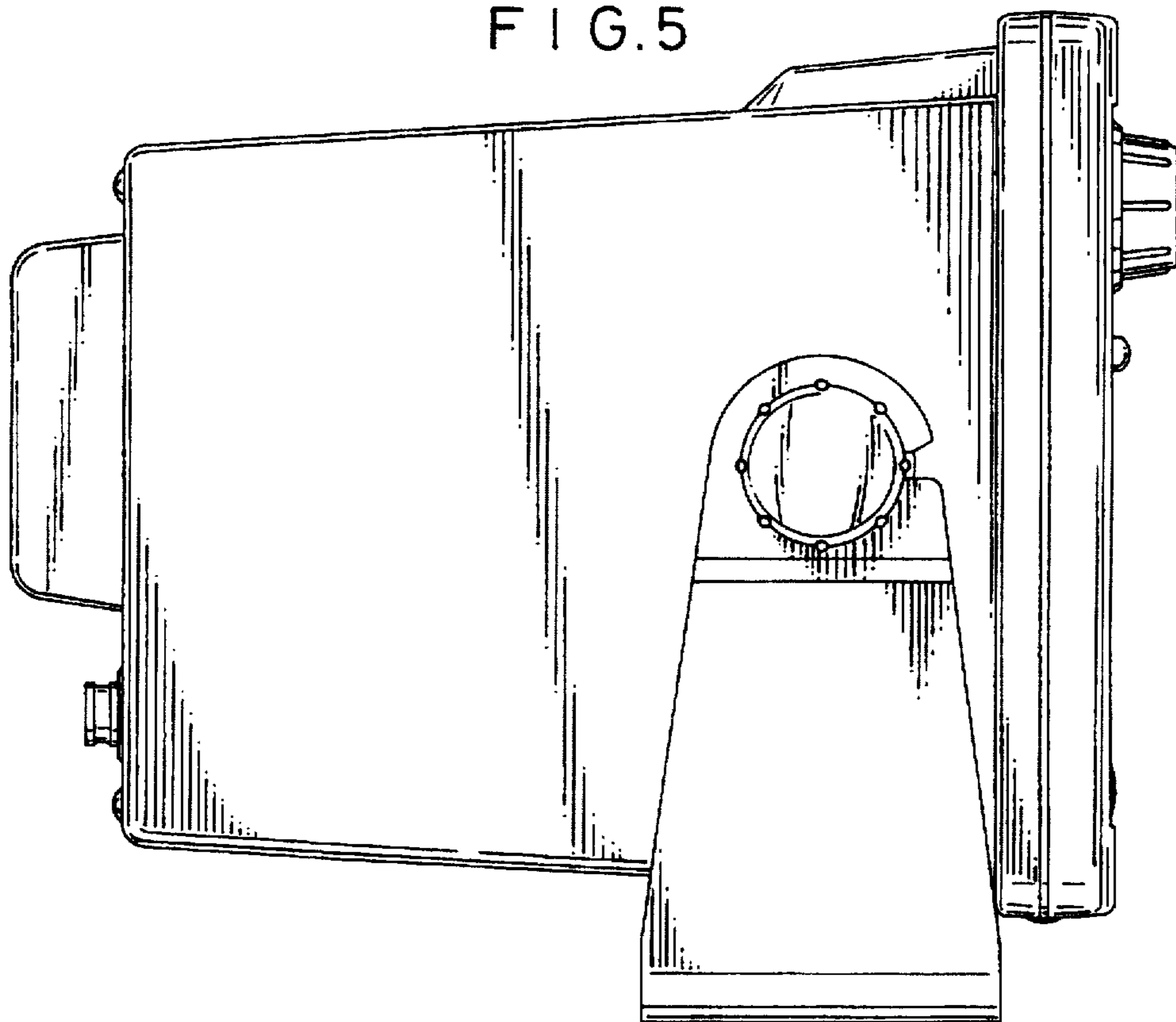


FIG. 6

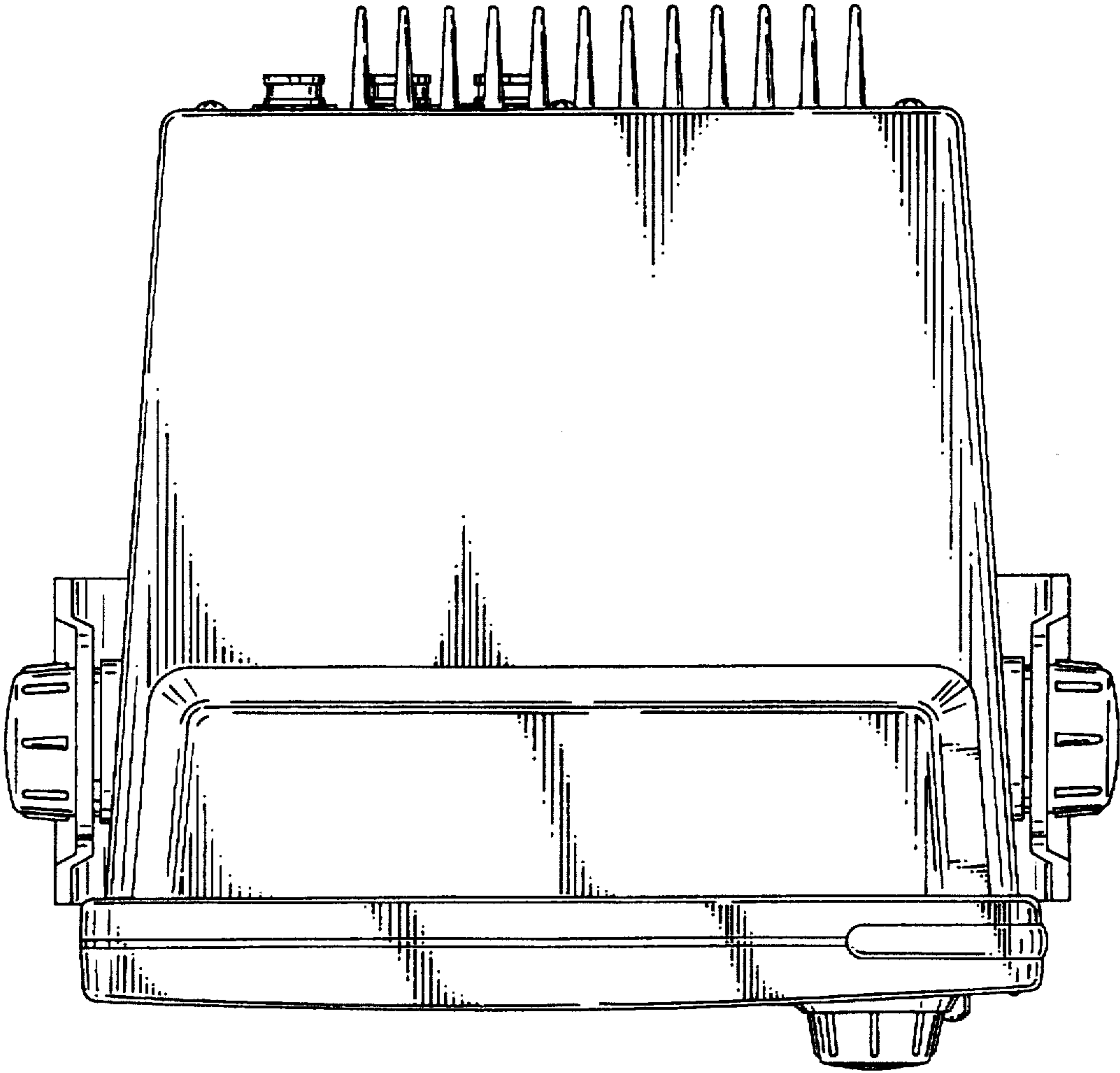


FIG. 7

