



US00D390478S

United States Patent [19]
Brzezinski

[11] **Patent Number: Des. 390,478**

[45] **Date of Patent: **Feb. 10, 1998**

[54] **WATCH AND BRACELET**

[75] **Inventor: Janet G. Brzezinski, Middlebury, Conn.**

[73] **Assignee: Timex Corp., Middlebury, Conn.**

[**] **Term: 14 Years**

[21] **Appl. No.: 71,640**

[22] **Filed: Jun. 5, 1997**

[51] **LOC (6) Cl. 10-02**

[52] **U.S. Cl. D10/32**

[58] **Field of Search D10/1-40, 122-132;
D11/3-25; 63/1.1, 3, 5, 11; 368/276-277,
280-282, 285**

[56] **References Cited**

U.S. PATENT DOCUMENTS

- D. 301,985 7/1989 Benoit-Pequignet D10/32
- D. 329,611 9/1992 Burgener D10/30

- D. 350,902 9/1994 Kaneko D10/32
- D. 374,402 10/1996 Lassigne D10/32

Primary Examiner—Nelson C. Holtje
Attorney, Agent, or Firm—Paul R. Juhasz

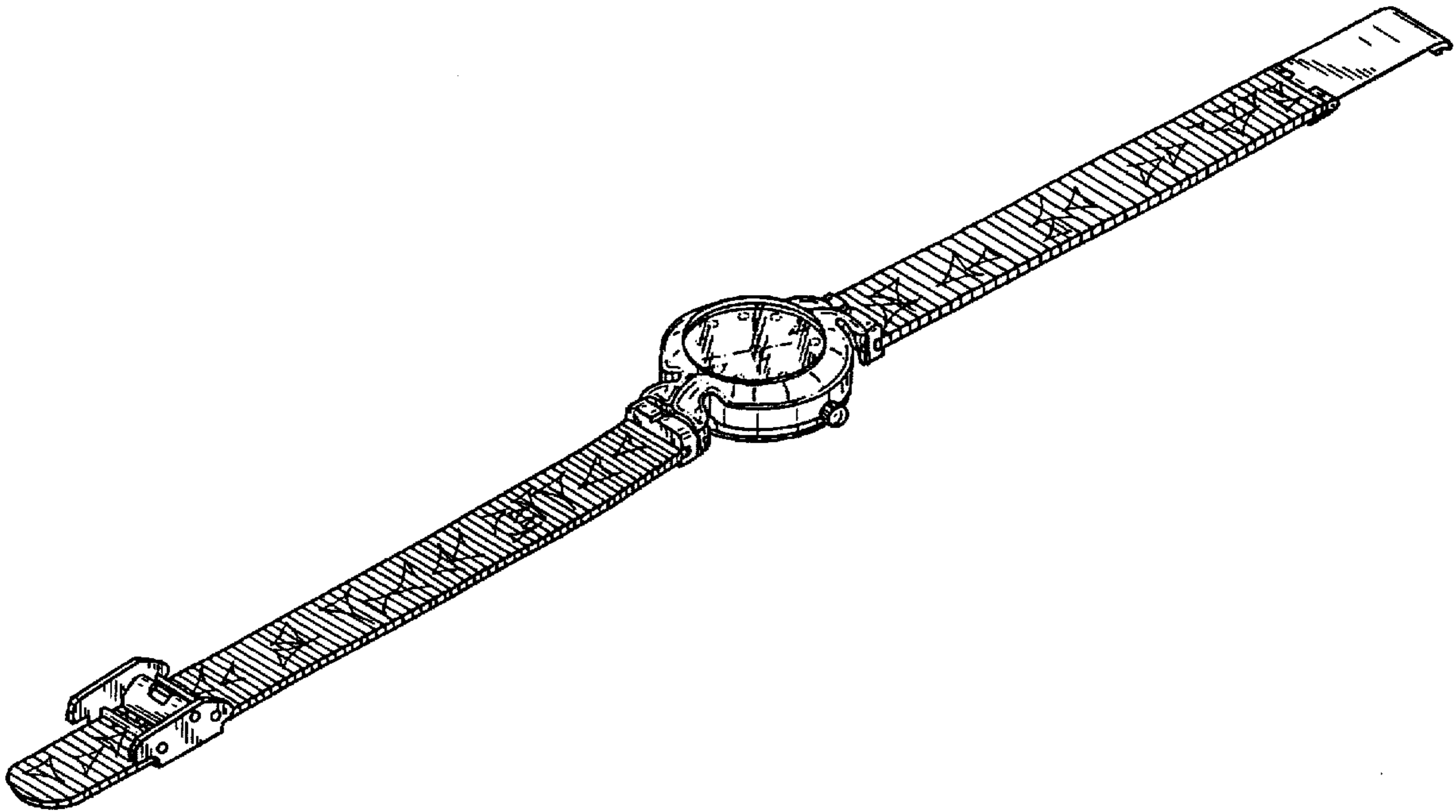
[57] **CLAIM**

The ornamental design for a “watch and bracelet”, as shown and described.

DESCRIPTION

FIG. 1 is a perspective elevational view of a “watch and bracelet”;
 FIG. 2 is a top plan view thereof;
 FIG. 3 is a right side elevational view thereof;
 FIG. 4 is a bottom plan view thereof;
 FIG. 5 is a left side elevational view thereof;
 FIG. 6 is an end view thereof; and,
 FIG. 7 is the other end elevational view thereof.
 The broken line showing of a watch dial is for illustrative purposes only and forms no part of the claimed design.

1 Claim, 2 Drawing Sheets



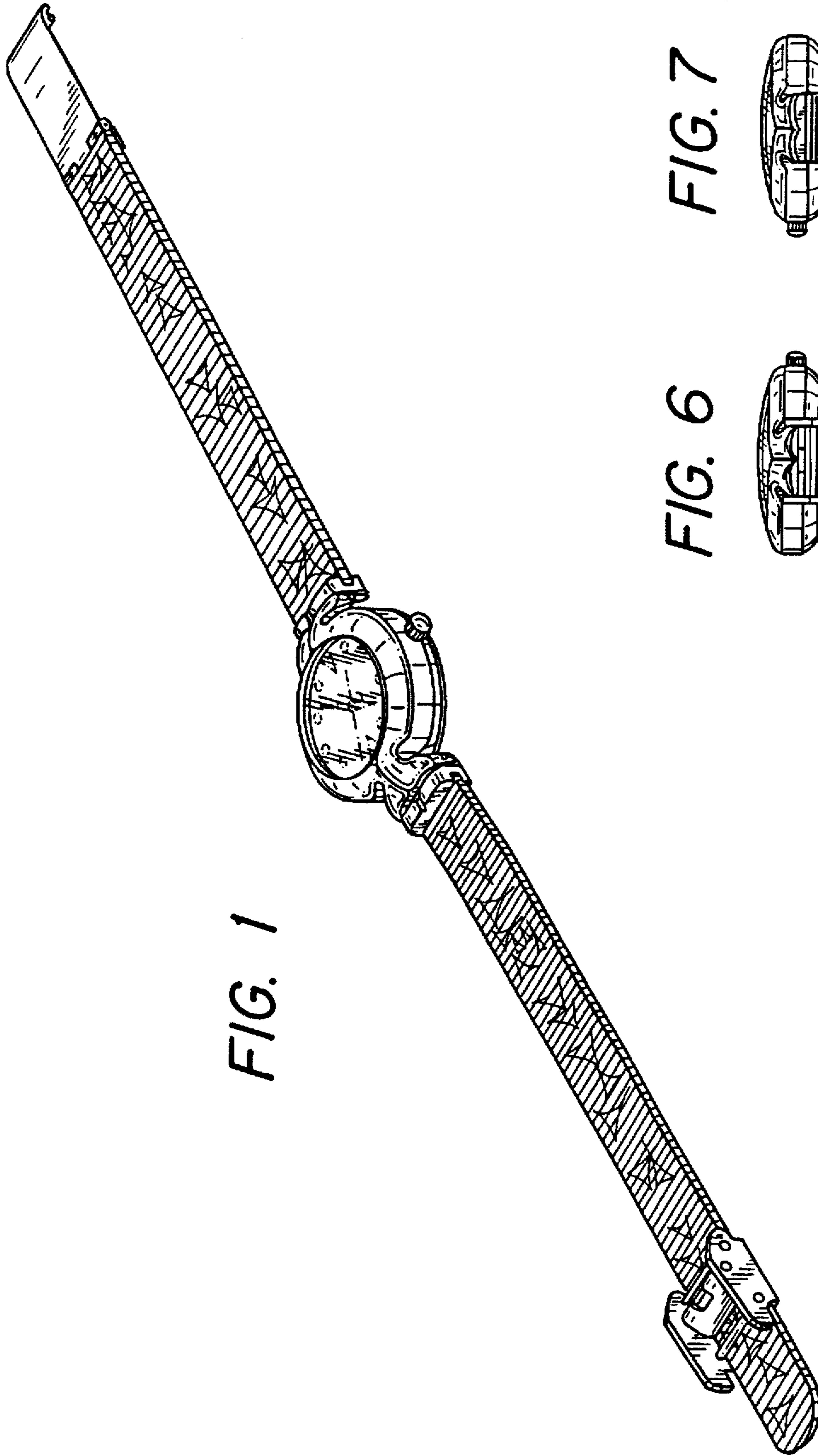


FIG. 1

FIG. 6

FIG. 7

FIG. 2

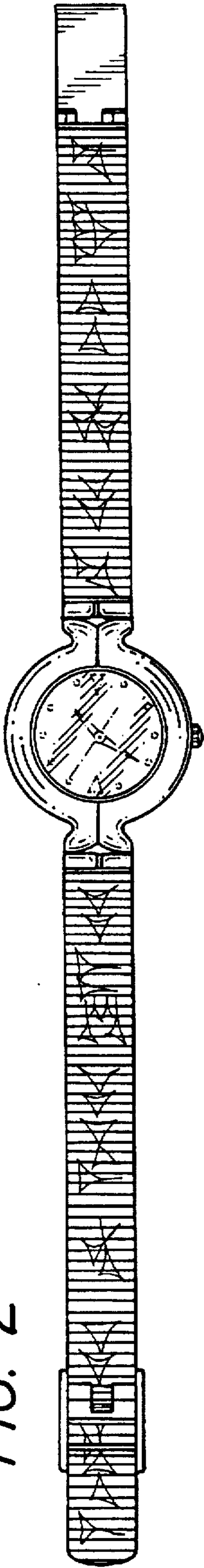


FIG. 3



FIG. 4

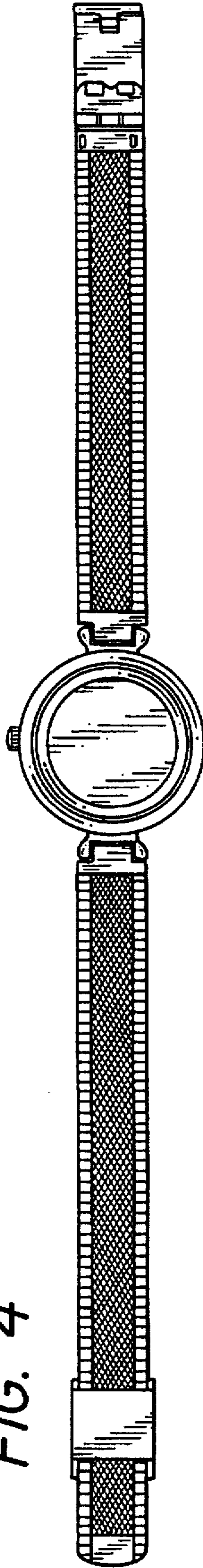


FIG. 5

