

US00D390474S

United States Patent [19]

Wong

[11] Patent Number: **Des. 390,474**

[45] Date of Patent: ****Feb. 10, 1998**

[54] **ANALOG ALARM CLOCK**

[75] Inventor: **Shu Kwan Wong**, New Territories, Hong Kong

[73] Assignee: **Herald Electronics Limited**, New Territories, Hong Kong

[**] Term: **14 Years**

[21] Appl. No.: **68,309**

[22] Filed: **Mar. 28, 1997**

[51] LOC (6) Cl. **10-01**

[52] U.S. Cl. **D10/18; D10/20**

[58] Field of Search **D10/1-40, 122-132; 368/276-277, 10, 285**

[56] **References Cited**

U.S. PATENT DOCUMENTS

D. 299,011	12/1988	Brüssing	D10/23
D. 309,572	7/1990	Suzuki	D10/18
D. 309,573	7/1990	Hirota	D10/18
D. 320,163	9/1991	Dingelstad	D10/18
D. 354,003	1/1995	Takashima	D10/18
D. 359,241	6/1995	Ling	D10/18
D. 361,519	8/1995	Inora	D10/18

Primary Examiner—Nelson C. Holtje

Attorney, Agent, or Firm—Beveridge, DeGrandi, Weilacher & Young LLP

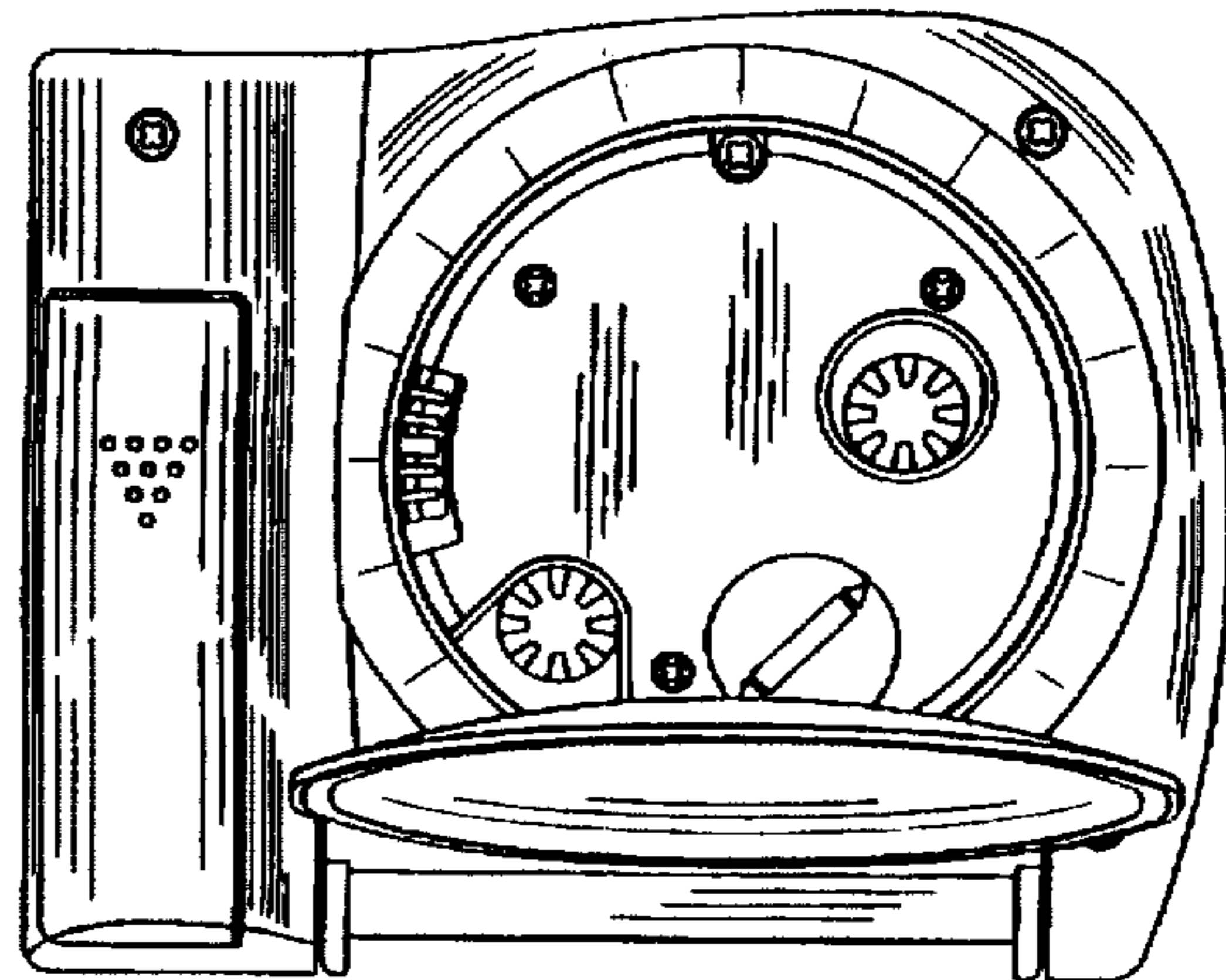
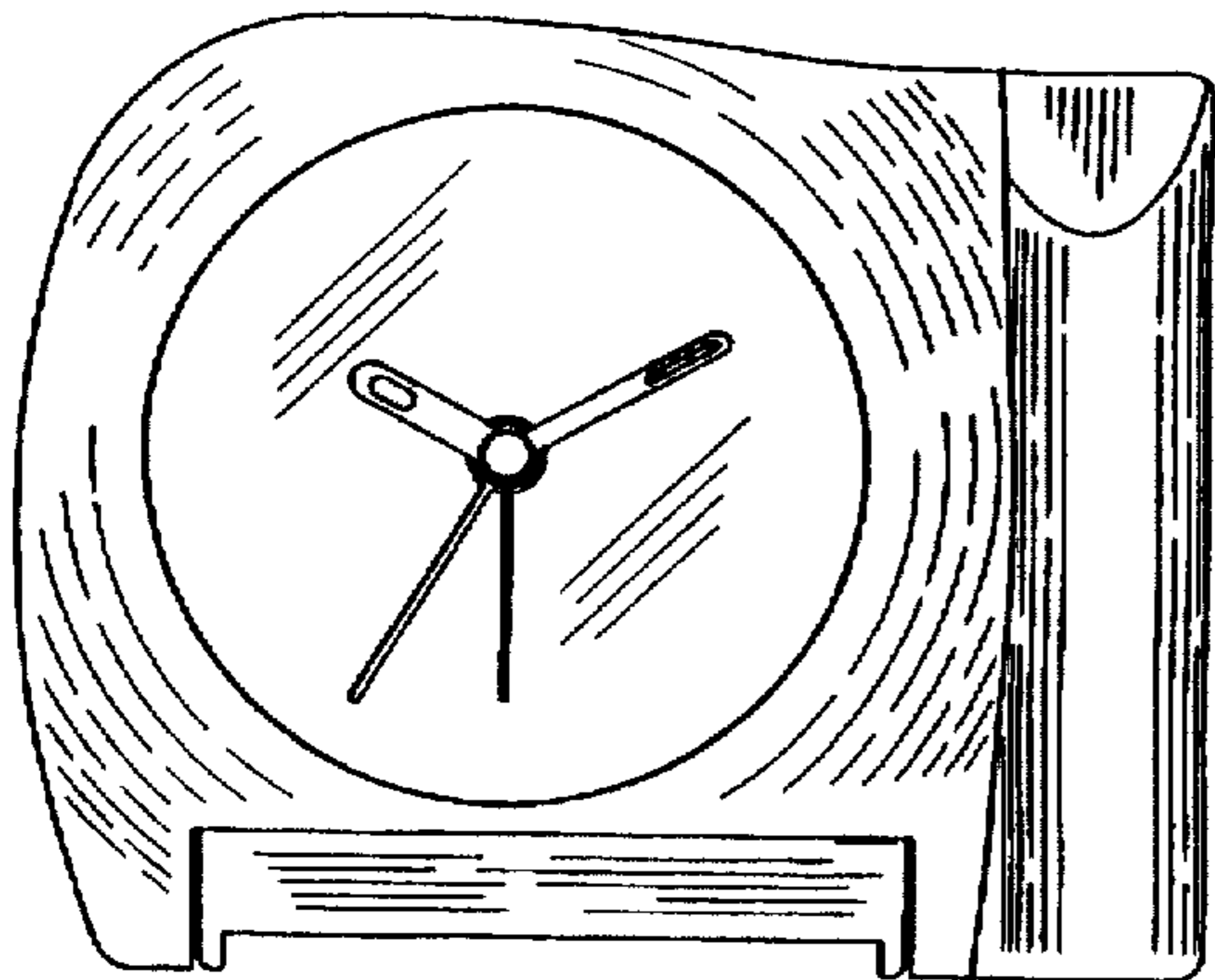
[57] **CLAIM**

The ornamental design for a analog alarm clock, as shown and described.

DESCRIPTION

FIG. 1 is a front elevational view of a analog alarm clock showing my new design;
 FIG. 2 is a back elevational view thereof;
 FIG. 3 is a left side elevational view thereof;
 FIG. 4 is a right side elevational view thereof;
 FIG. 5 is a top elevational view thereof;
 FIG. 6 is a bottom elevational view thereof;
 FIG. 7 is a front elevational view thereof; with lid being in a covered position;
 FIG. 8 is a back elevational view thereof, with lid being in a covered position;
 FIG. 9 is a left side elevational view thereof, with lid being in a covered position;
 FIG. 10 is a right side elevational view thereof, with lid being in a covered position;
 FIG. 11 is a top elevational view thereof, with lid being in a covered position; and,
 FIG. 12 is a bottom elevational view thereof, with lid being in a covered position.

1 Claim, 12 Drawing Sheets



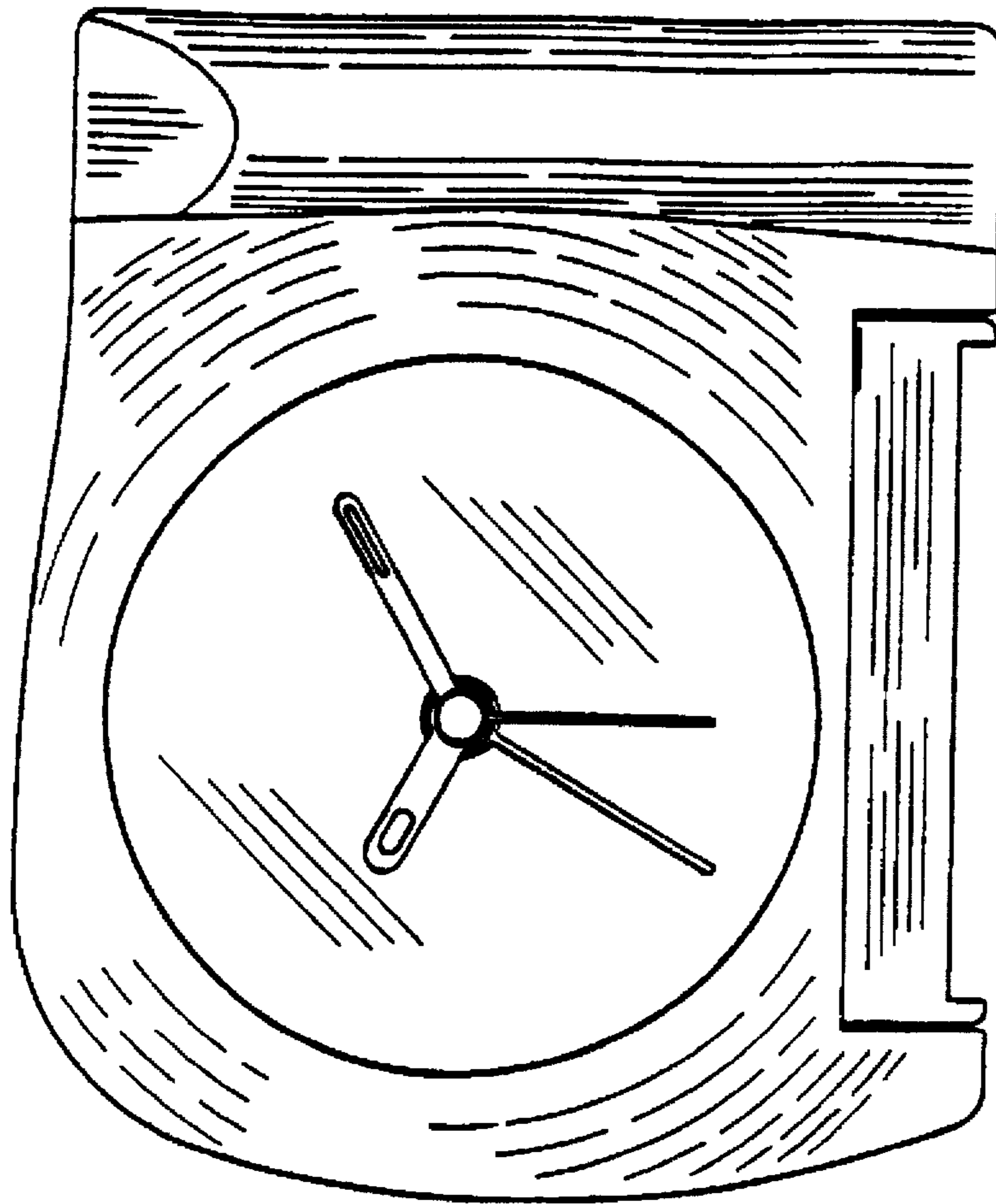


FIG. 1

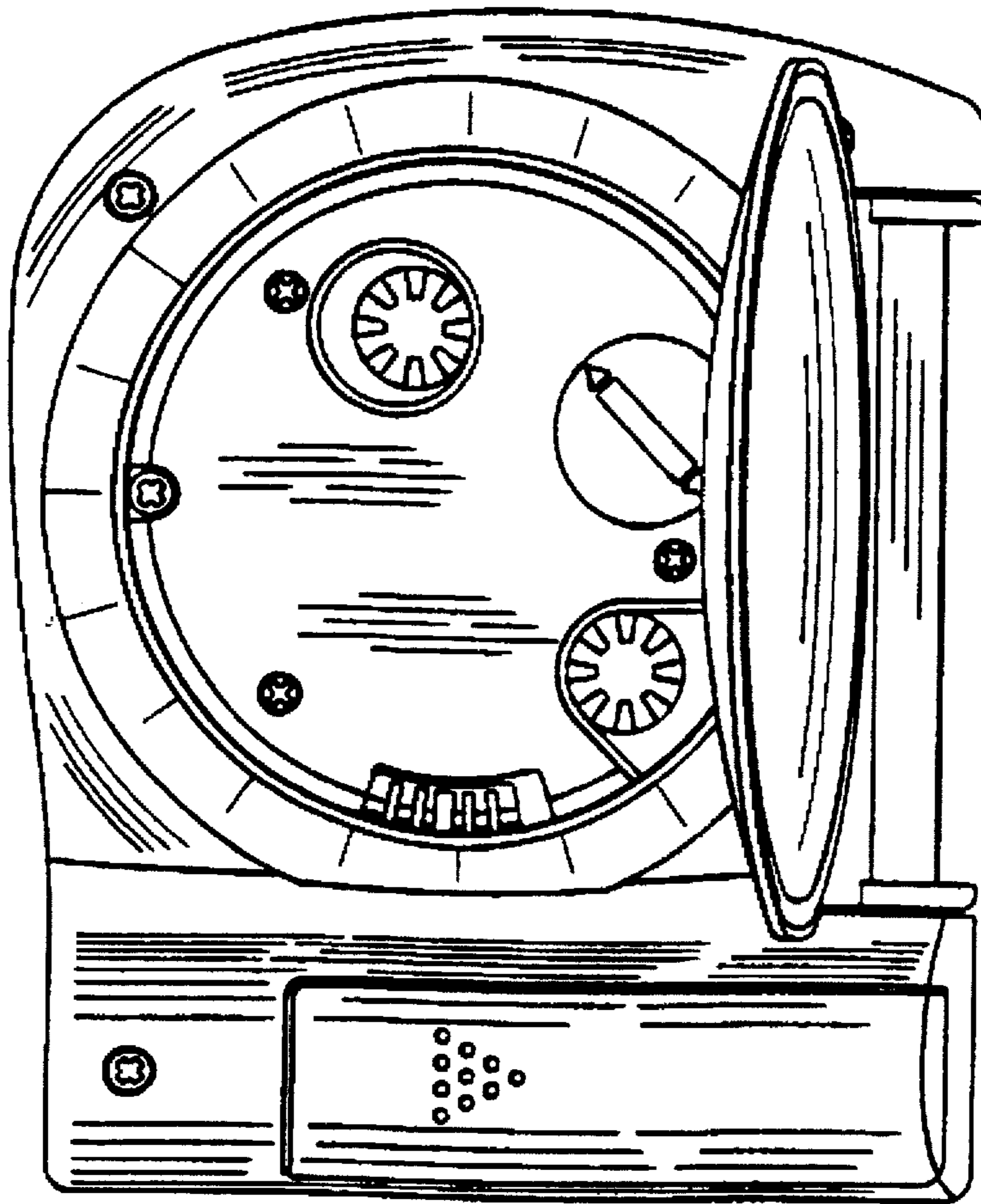


FIG. 2

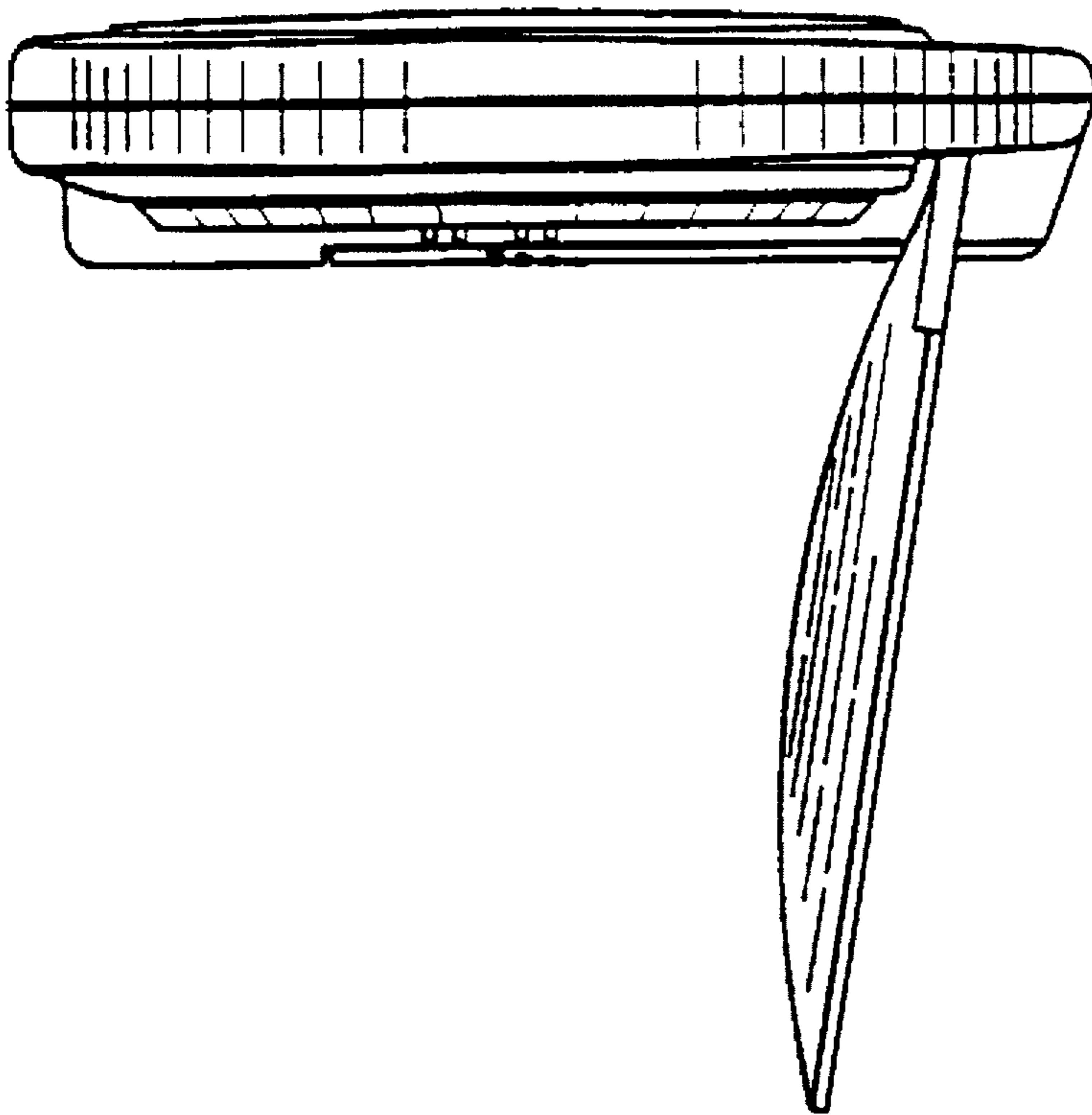


FIG. 3

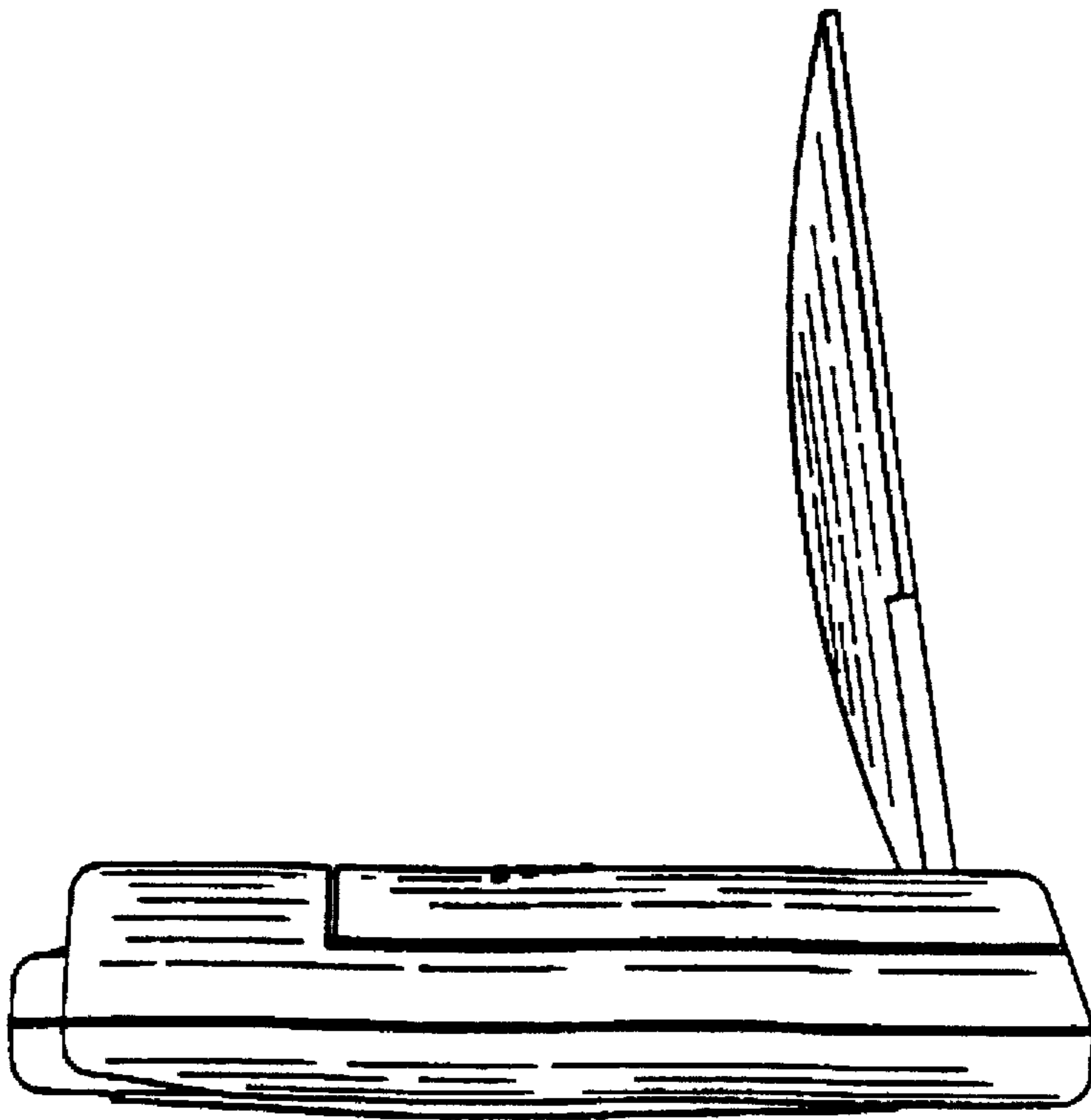


FIG. 4

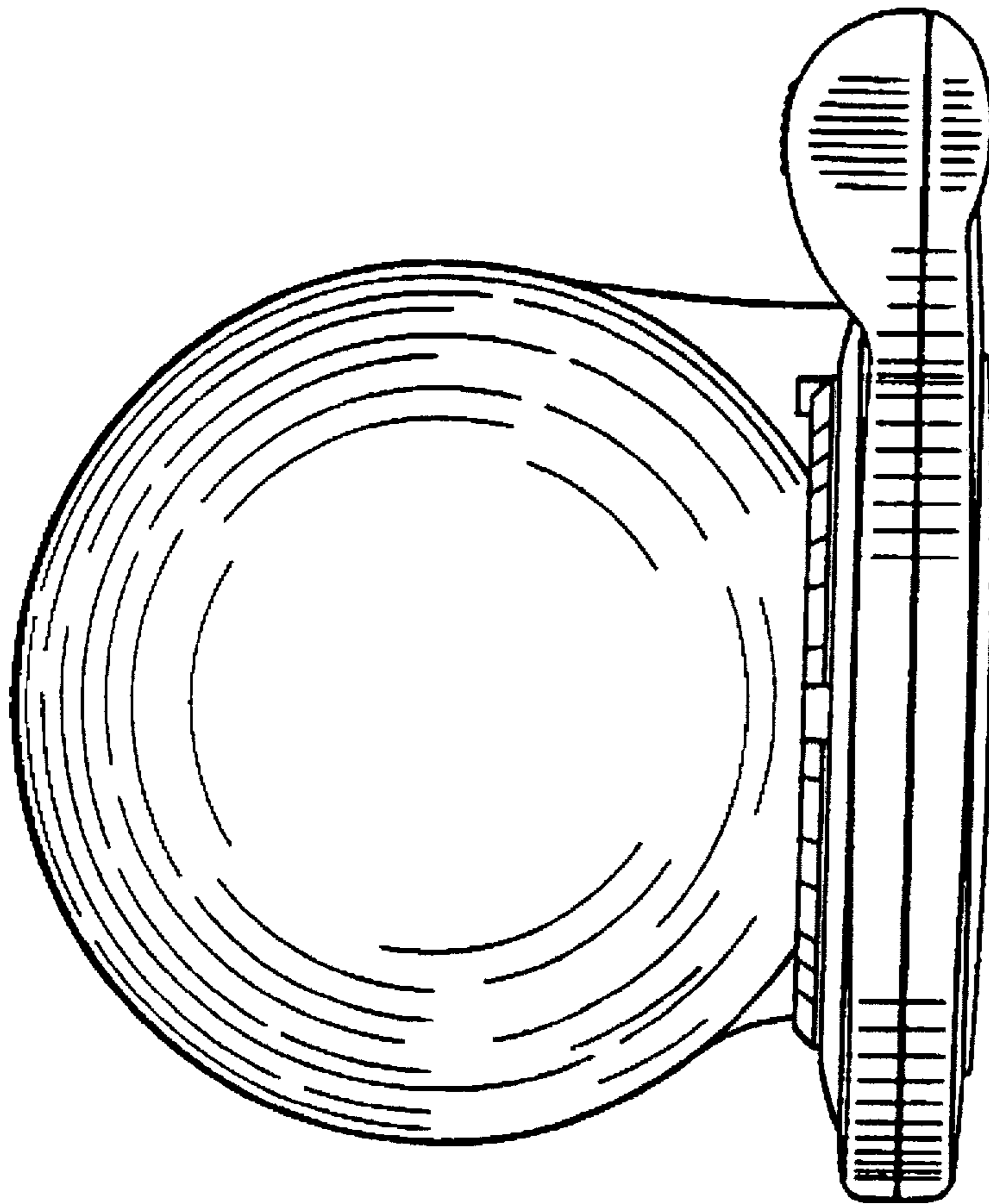


FIG. 5

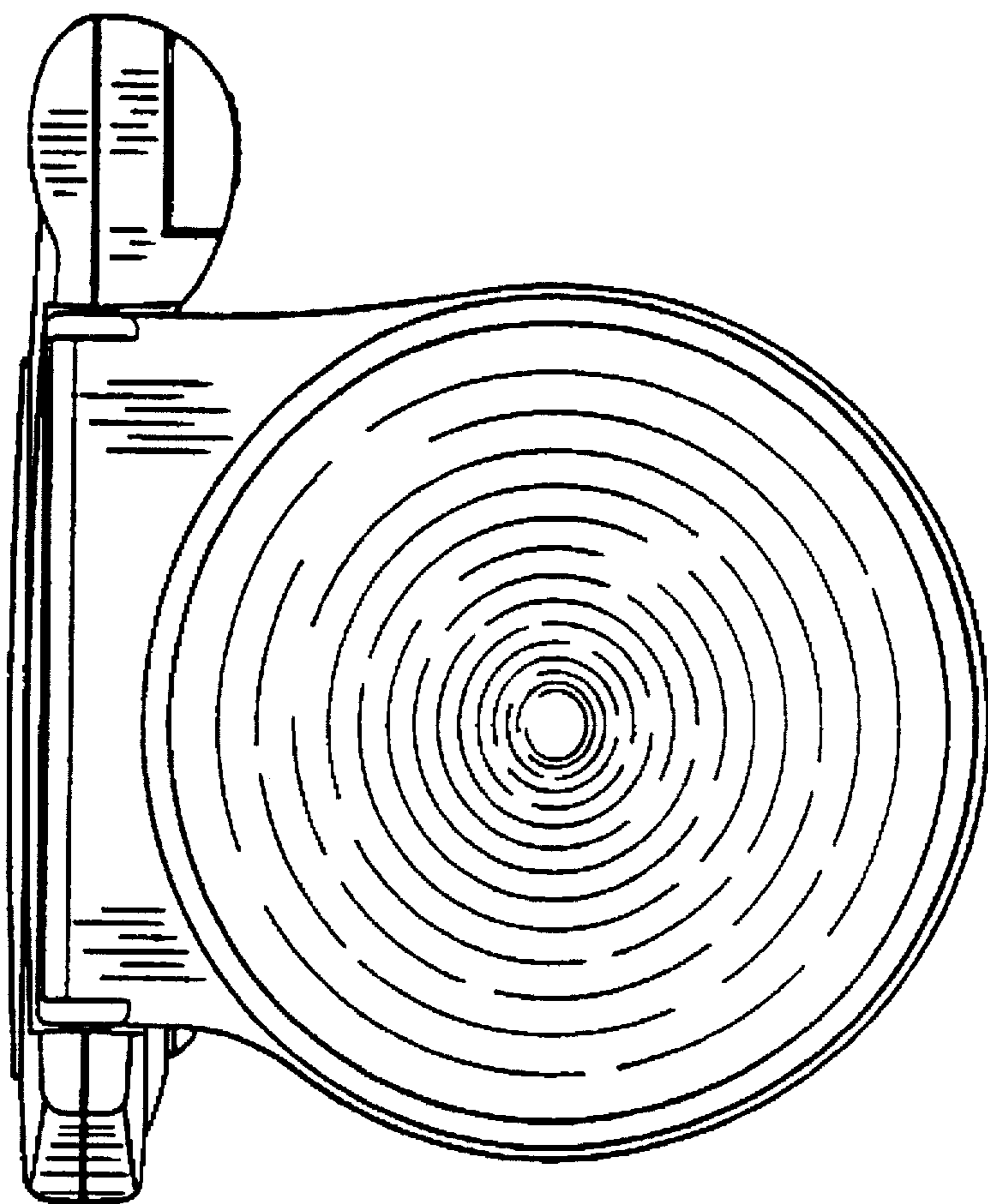


FIG. 6

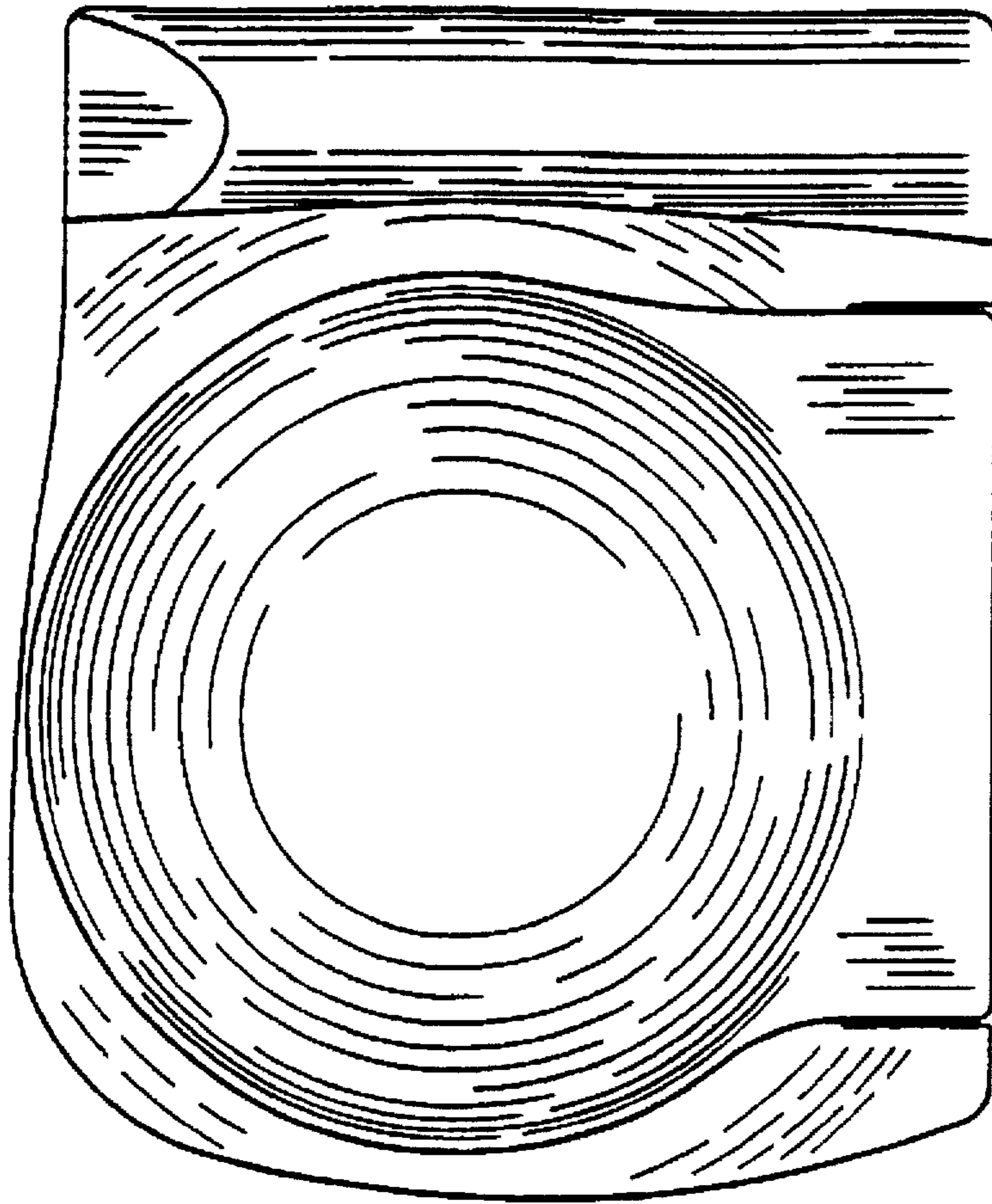


FIG. 7

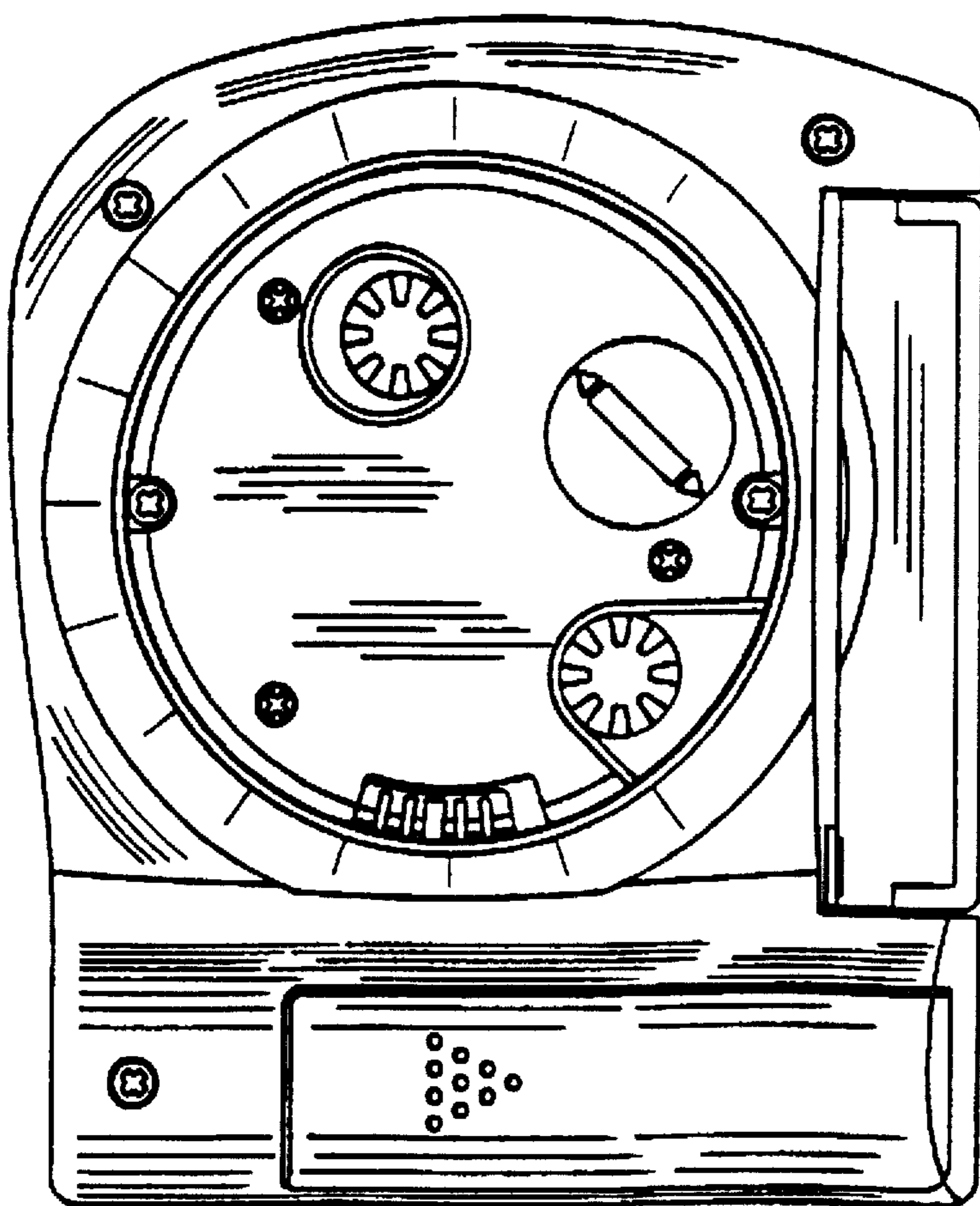


FIG. 8

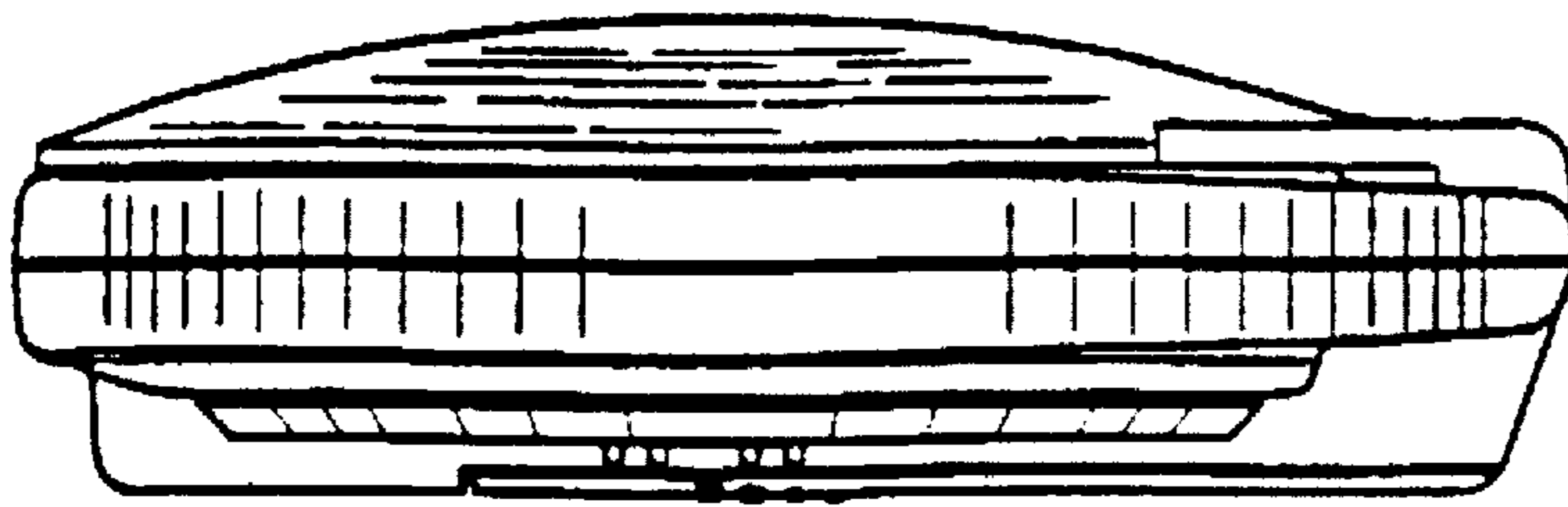


FIG. 9

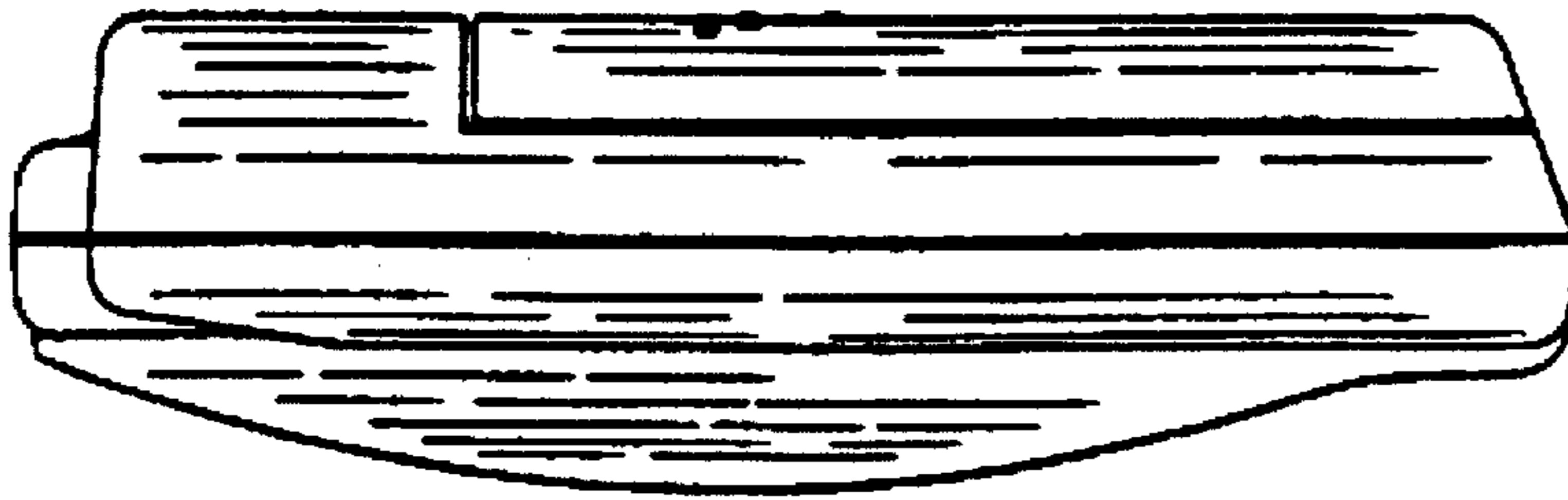


FIG. 10

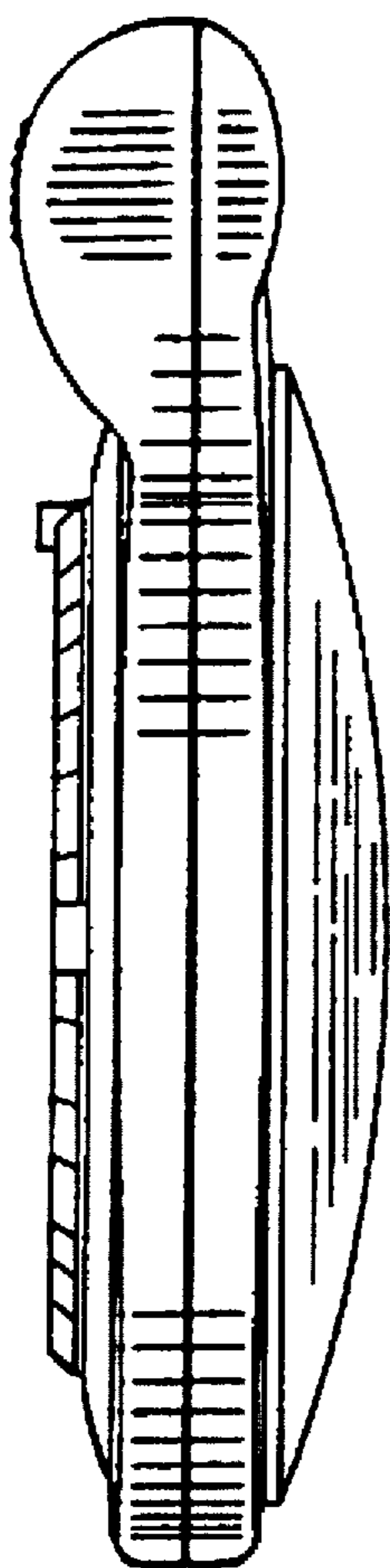


FIG. 11

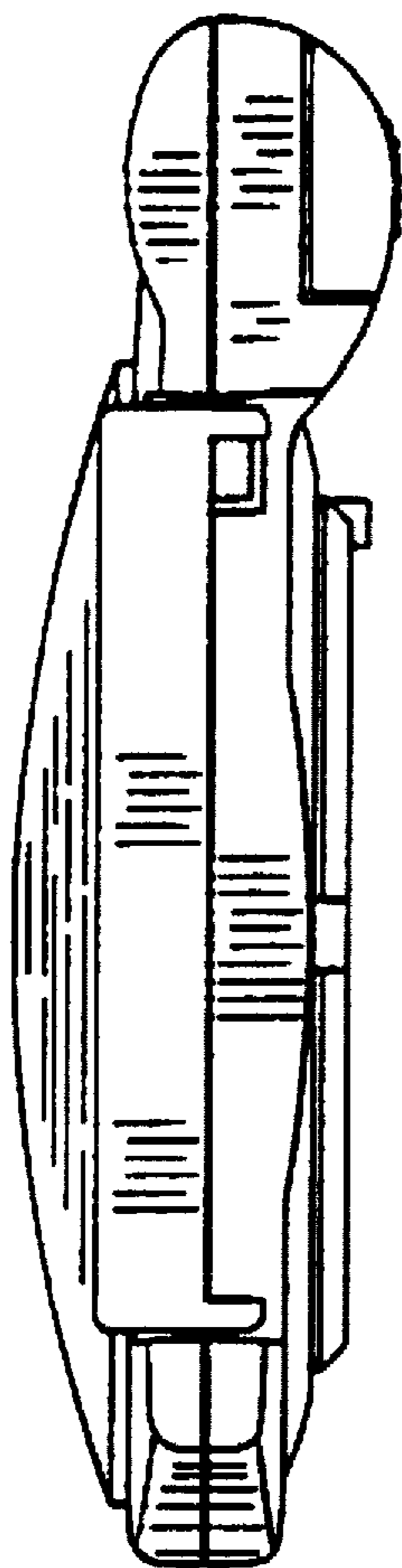


FIG. 12