



US00D390470S

**United States Patent** [19]  
**Mahlmann et al.**

[11] **Patent Number: Des. 390,470**  
[45] **Date of Patent: \*\*Feb. 10, 1998**

[54] **COMBINED BOTTLE AND CAP**  
[75] **Inventors: Veit Mahlmann; Lutz Herrmann;**  
**Andrea Brandt, all of Hamburg,**  
**Germany**  
[73] **Assignee: Lancaster Group GmbH,**  
**Ludwigshafen, Germany**  
[\*\*] **Term: 14 Years**

D. 182,169 2/1958 DuPree ..... D9/545 X  
D. 278,411 4/1985 Reitzel et al. .... D9/403  
D. 280,777 10/1985 Lemaire ..... D9/372  
D. 292,174 10/1987 Thrush ..... D9/546 X  
D. 319,582 9/1991 Crawford ..... D9/367  
D. 329,592 9/1992 Crawford ..... D9/301  
D. 359,688 6/1995 Rosen ..... D9/452 X

*Primary Examiner—Lucy Lieberman*  
*Attorney, Agent, or Firm—Janal M. Kalis*

[21] **Appl. No.: 64,007**  
[22] **Filed: Dec. 20, 1996**  
[30] **Foreign Application Priority Data**

[57] **CLAIM**

The ornamental design for a combined bottle and cap, as shown and described.

Jun. 21, 1996 [DE] Germany ..... M 96 05 425.5

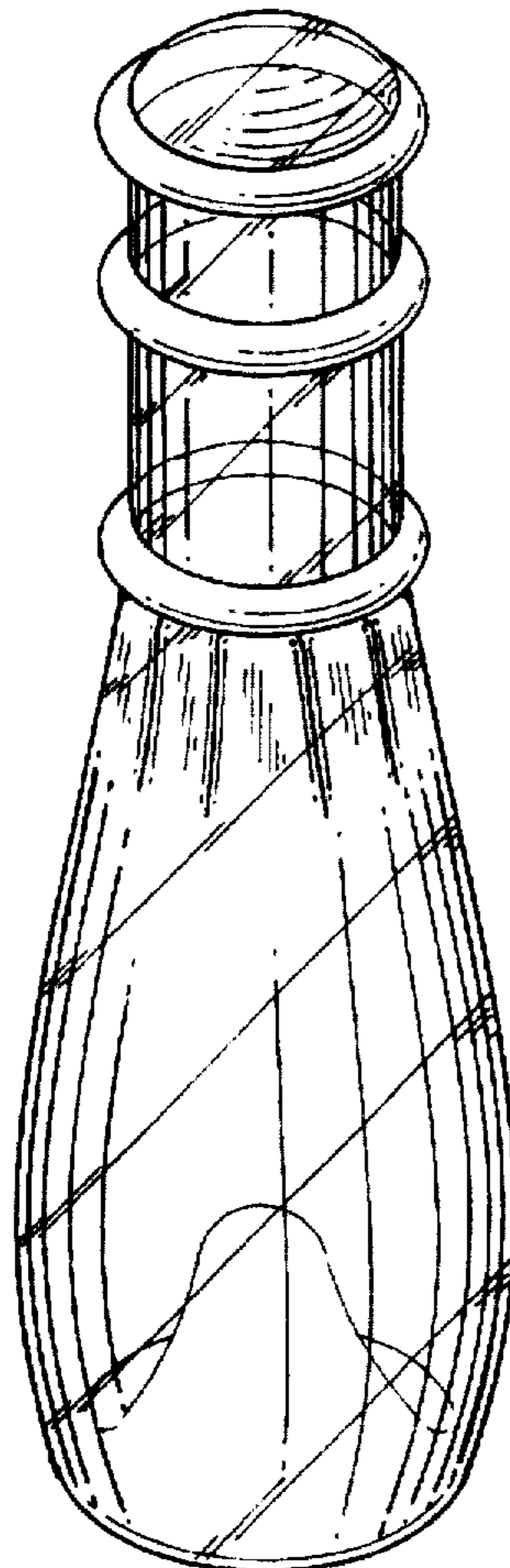
**DESCRIPTION**

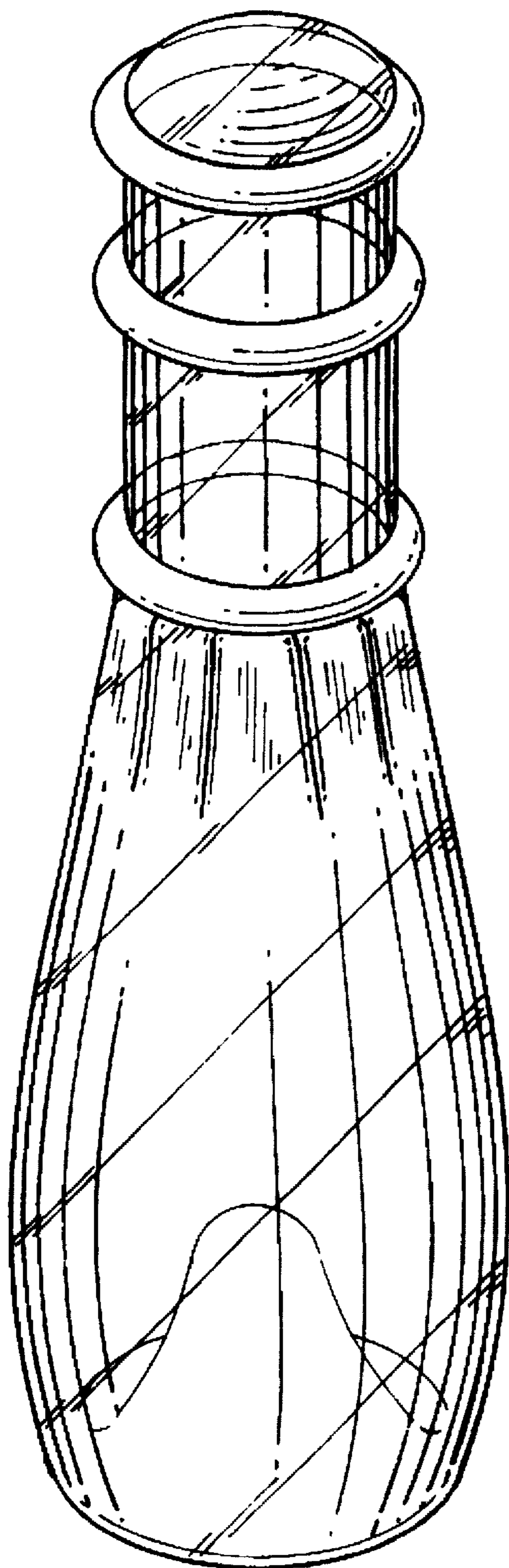
[51] **LOC (6) Cl. .... 09-01**  
[52] **U.S. Cl. .... D9/520; D9/545; D9/546**  
[58] **Field of Search .... D9/545, 546, 520,**  
**D9/454, 452, 559, 300, 556; 215/382, 383,**  
**384, 400; D28/91.1**

FIG. 1 is a perspective view of a combined bottle and cap showing our new design;  
FIG. 2 is a front elevation, the rear and side elevations are the same;  
FIG. 3 is a top plan view thereof; and,  
FIG. 4 is a bottom plan view thereof.

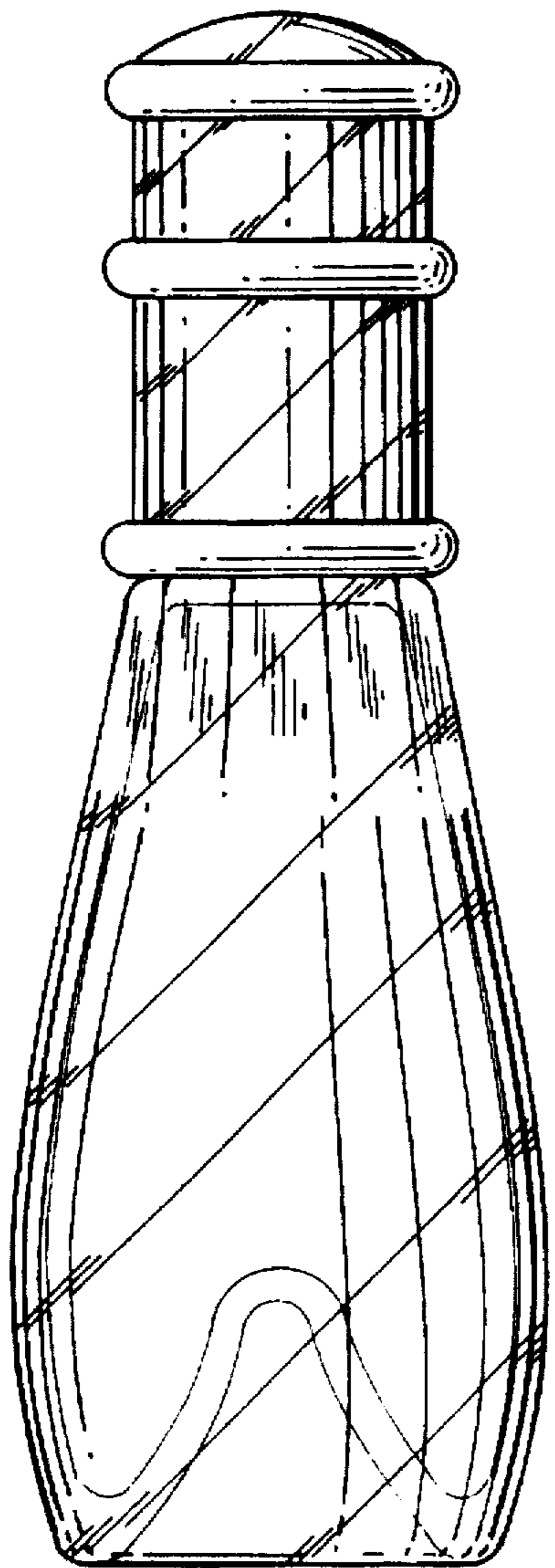
[56] **References Cited**  
**U.S. PATENT DOCUMENTS**  
D. 25,472 5/1896 Brady ..... D9/545

**1 Claim, 2 Drawing Sheets**

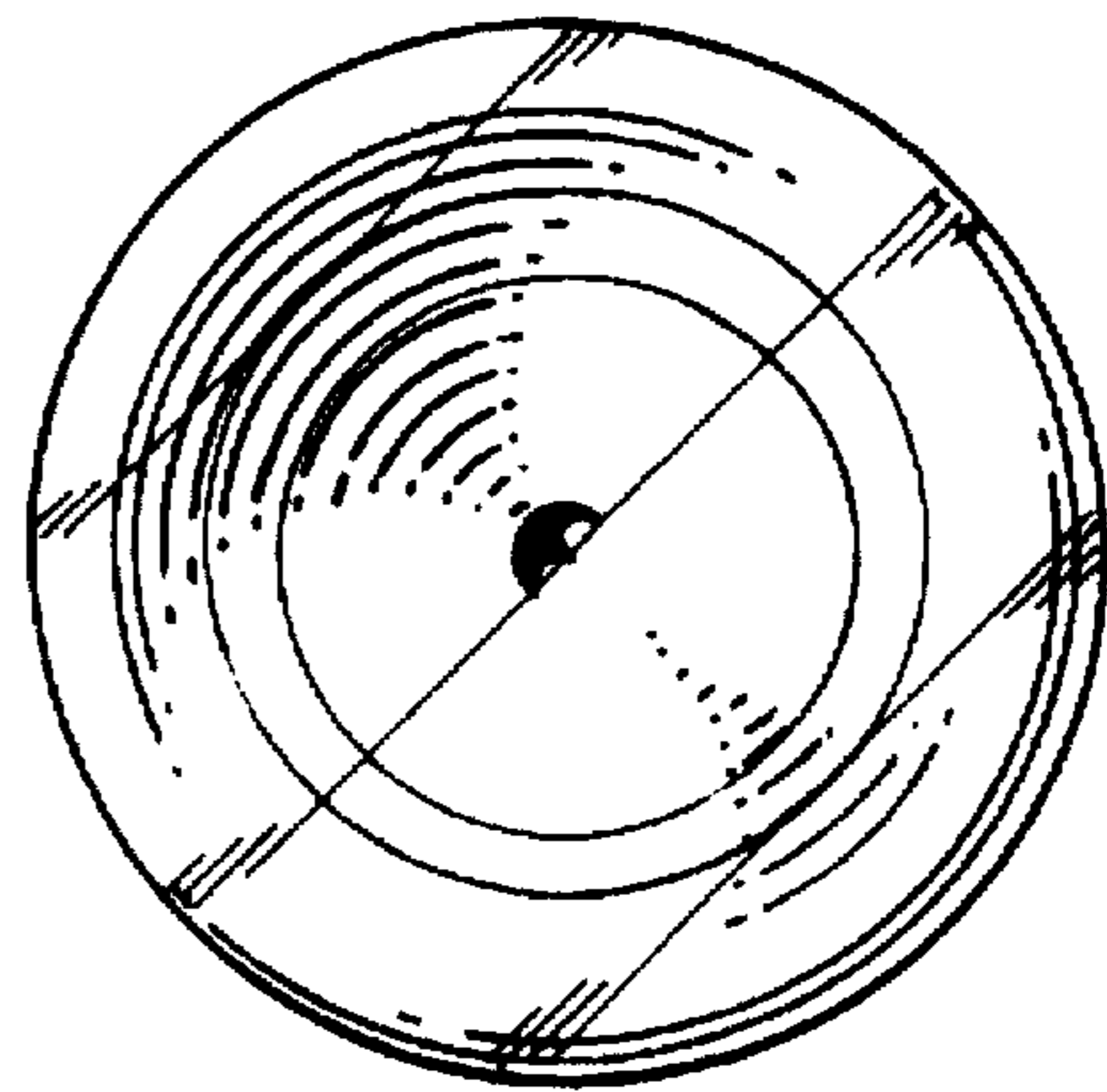




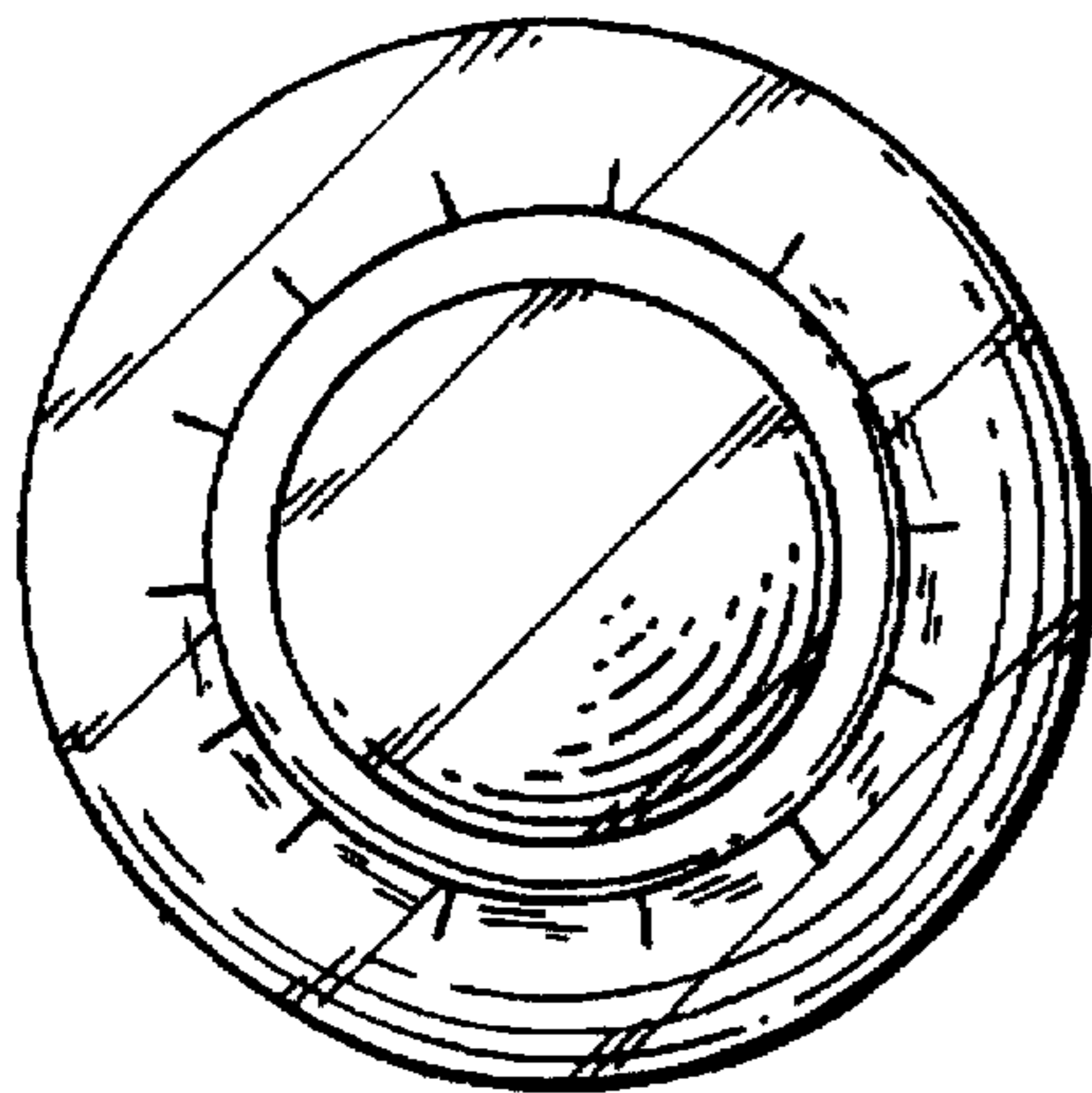
*Fig. 1*



*Fig. 2*



*Fig. 4*



*Fig. 3*