



US00D390465S

United States Patent [19]
Frye

[11] **Patent Number: Des. 390,465**
[45] **Date of Patent: **Feb. 10, 1998**

[54] **DRINK THROUGH DISPOSABLE LID FOR A LIQUID CONTAINER**

[75] **Inventor: Lon E. Frye, Batavia, Ill.**

[73] **Assignee: Proex, Incorporated, Batavia, Ill.**

[**] **Term: 14 Years**

[21] **Appl. No.: 59,995**

[22] **Filed: Sep. 19, 1996**

Related U.S. Application Data

[63] **Continuation-in-part of Ser. No. 36,763, Mar. 27, 1995, abandoned.**

[51] **LOC (6) Cl. 09-07**

[52] **U.S. Cl. D9/447; D9/454**

[58] **Field of Search D9/434, 435, 438, D9/440, 447, 452, 453, 454, 443; D7/510, 511, 391, 392, 392.1, 538-542; 220/254, 273, 711, 712, 713, 306-308, 269, 253, 271; 222/541.1; 215/250, 255**

[56] **References Cited**

U.S. PATENT DOCUMENTS

Re. 29,898 2/1979 Wheeler 220/711

| | | | |
|------------|---------|-------------------------|----------|
| D. 237,467 | 11/1975 | Nightengale et al. | D9/452 |
| D. 242,128 | 11/1976 | Chase | D9/447 |
| D. 267,633 | 1/1983 | Christian | D9/443 X |
| D. 354,438 | 1/1995 | Miller | D9/447 X |
| D. 360,133 | 7/1995 | Boller | D9/447 |
| 3,450,301 | 6/1969 | Stec et al. | 220/273 |
| 4,106,660 | 8/1978 | Boyle | 220/712 |
| 5,398,843 | 3/1995 | Warden et al. | 220/254 |

Primary Examiner—Jeffrey Asch
Attorney, Agent, or Firm—Bachman & LaPointe, P.C.

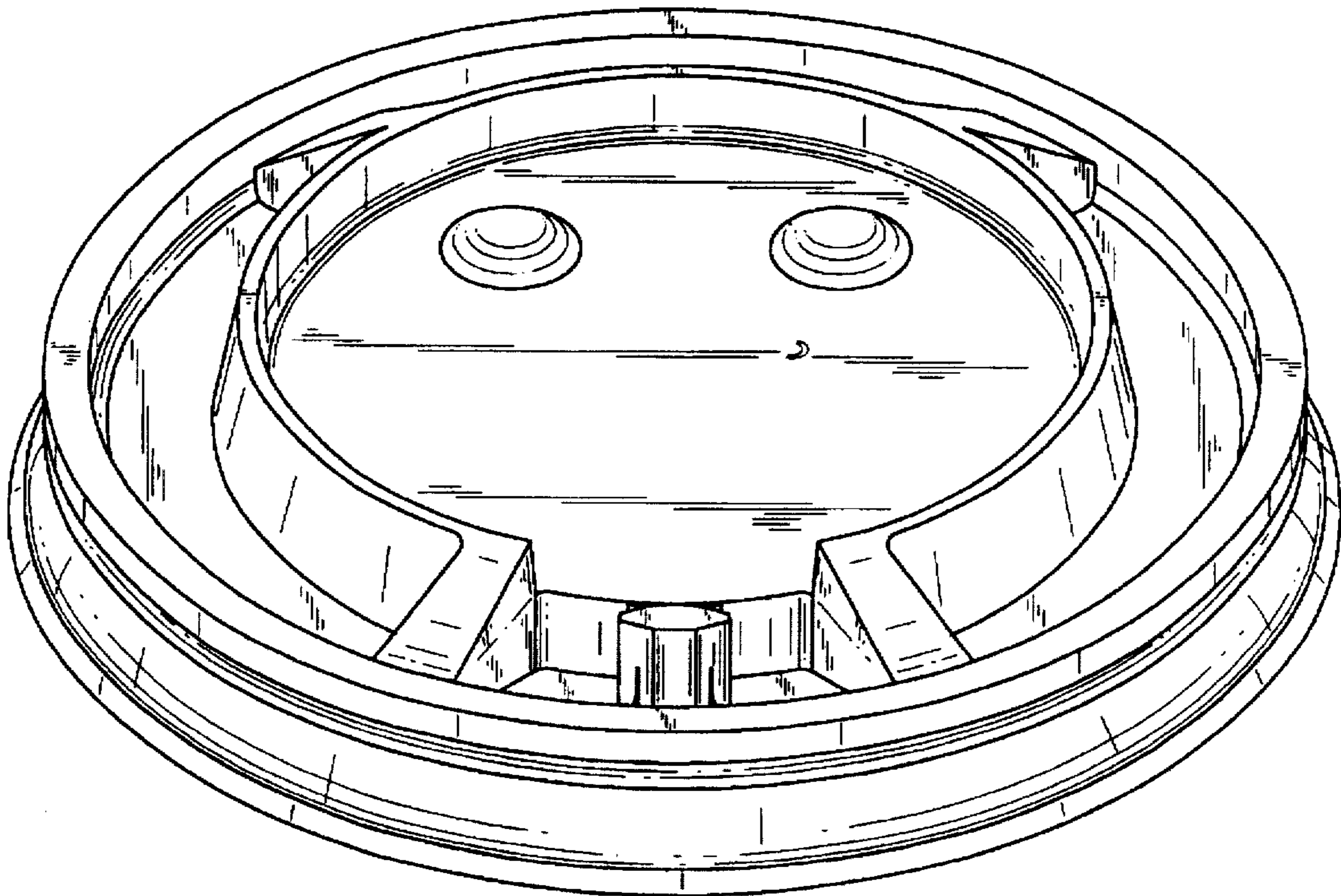
[57] **CLAIM**

The ornamental design for a drink through disposable lid for a liquid container, as shown and described.

DESCRIPTION

FIG. 1 is a top plan view of a drink through disposable lid for a liquid container showing my new design;
FIG. 2 is a bottom plan view thereof;
FIG. 3 is a front elevational view;
FIG. 4 is a rear view;
FIG. 5 is an elevational view of the right side thereof; the left side being a mirror image of the right side; and,
FIG. 6 is a perspective view thereof.

1 Claim, 3 Drawing Sheets



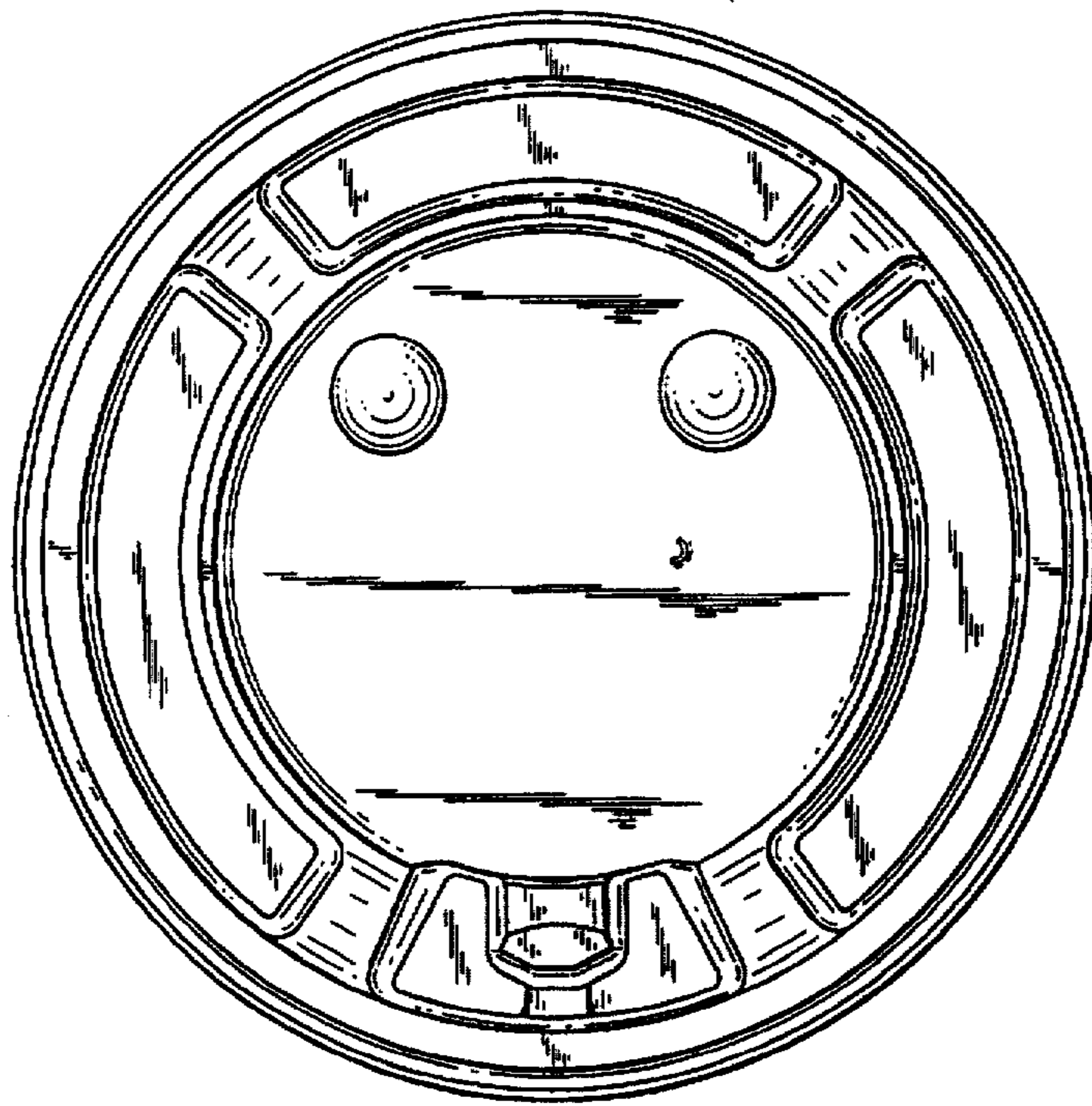


FIG. 1

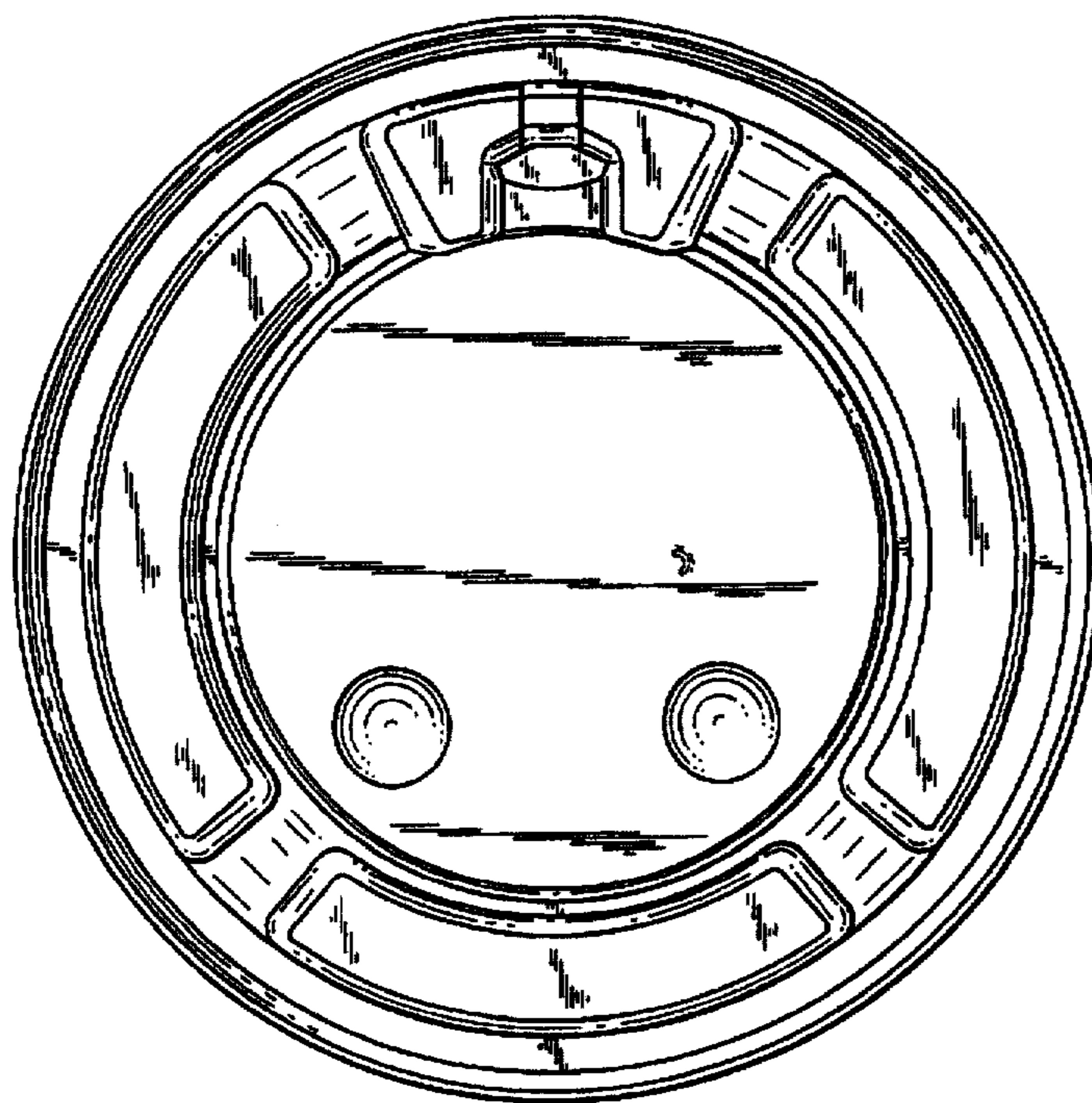


FIG. 2

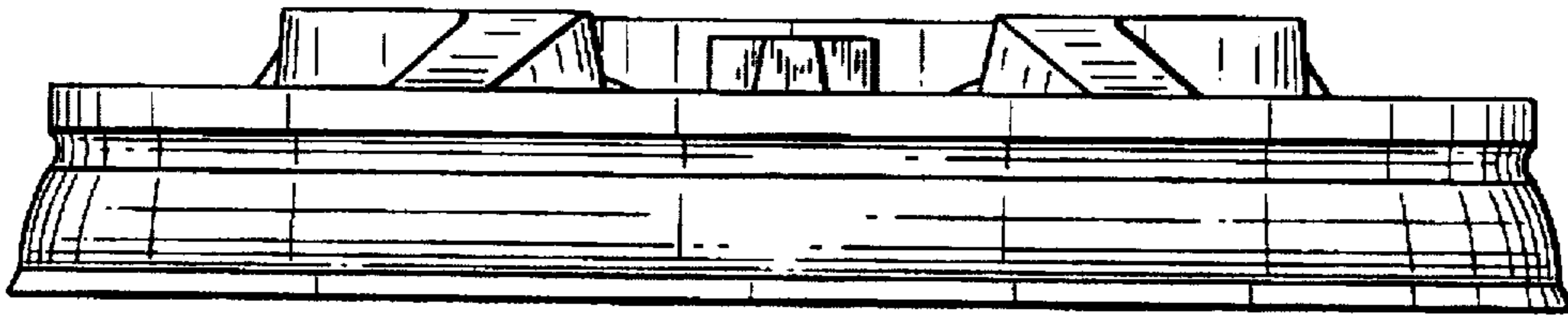


FIG. 3

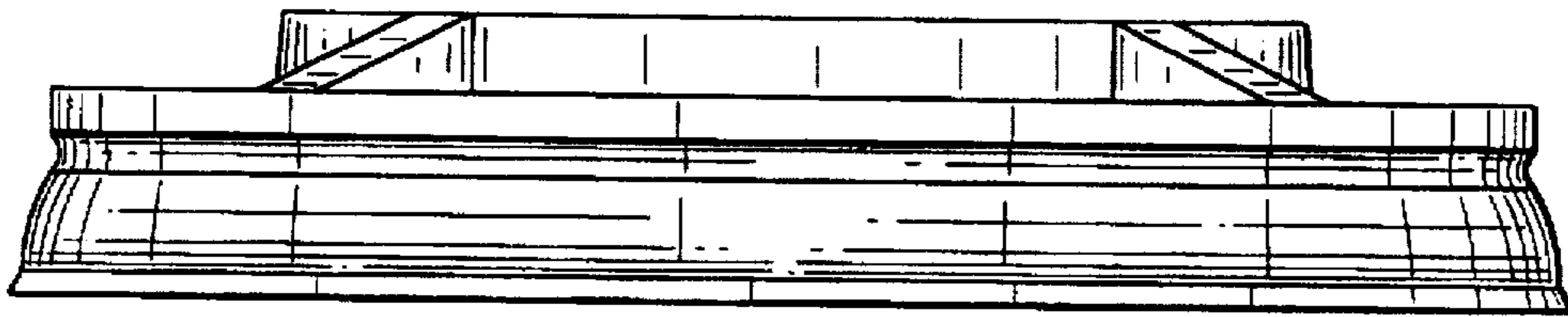


FIG. 4

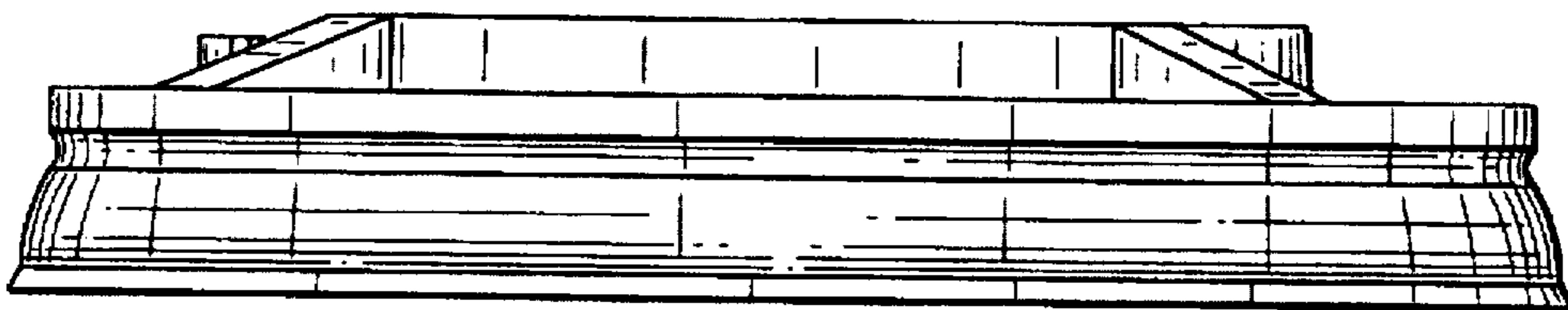


FIG. 5

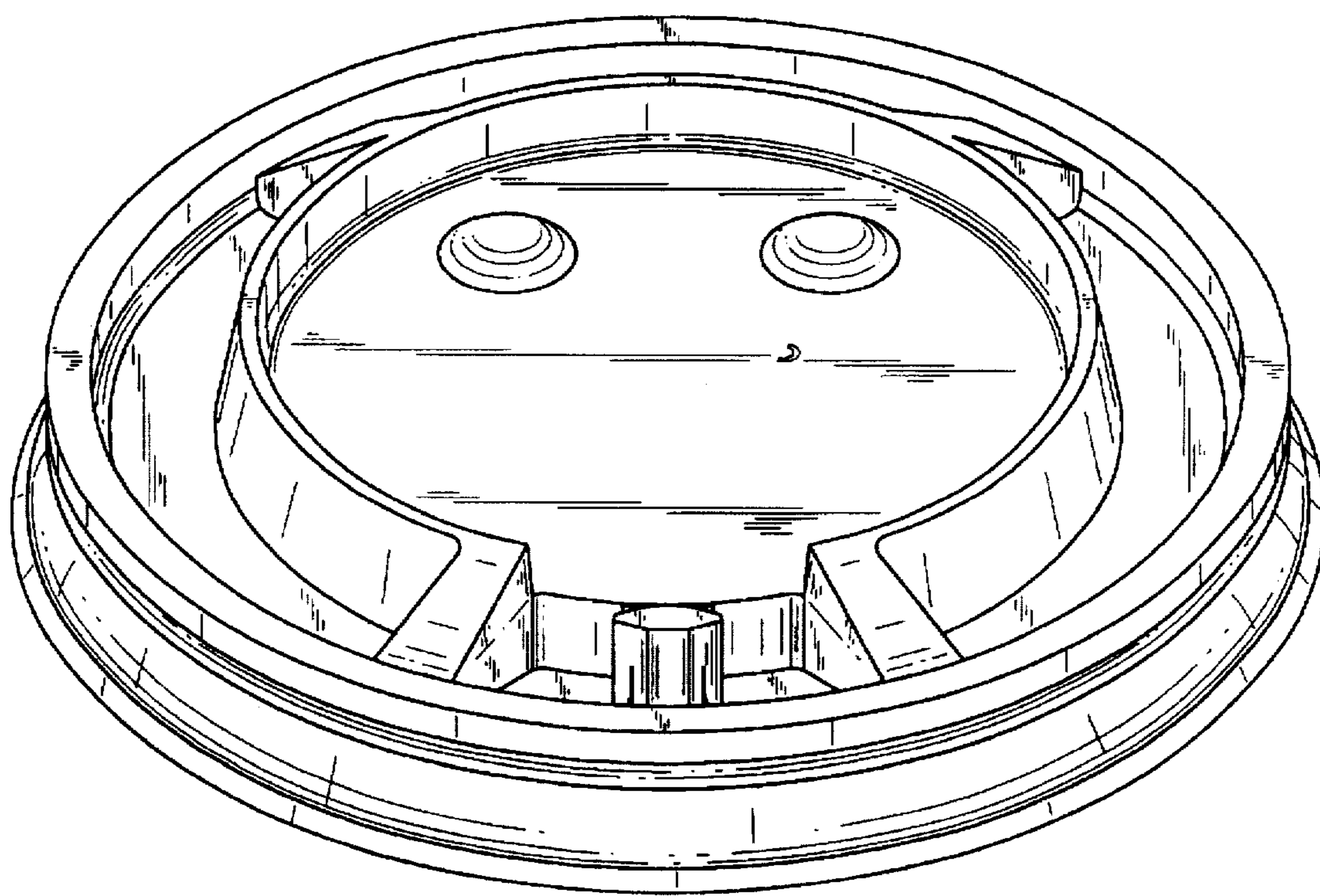


FIG. 6