



US00D390462S

United States Patent [19]

Mao

[11] Patent Number: **Des. 390,462**

[45] Date of Patent: ****Feb. 10, 1998**

[54] **BOTTLE CAP**

D. 364,566 11/1995 Douer D9/436
5,402,901 4/1995 Carvalheiro et al. 215/252

[75] Inventor: **Qingge Mao, Guangdong, China**

[73] Assignee: **The Procter & Gamble Company, Cincinnati, Ohio**

Primary Examiner—Jeffrey Asch
Assistant Examiner—Cathron B. Matta
Attorney, Agent, or Firm—Michael J. D'Amelio

[**] Term: **14 Years**

[57] **CLAIM**

[21] Appl. No.: **57,993**

The ornamental design for a bottle cap, as shown and described.

[22] Filed: **Aug. 6, 1996**

[30] **Foreign Application Priority Data**

DESCRIPTION

Dec. 14, 1996 [JP] Japan 8-003778

FIG. 1 is a perspective view of a bottle cap, embodying my new design;

[51] LOC (6) Cl. **09-07**

FIG. 2 is a top view thereof;

[52] U.S. Cl. **D9/435; D9/454**

FIG. 3 is an elevational view thereof;

[58] Field of Search D9/435, 436, 443, D9/452-454, 503, 504, 529; D7/300.1, 629; 215/200, 201, 252, 253; 220/200, 265, 266

FIG. 4 is an elevational view similar to that of FIG. 3, but rotated 10° about the vertical axis; and,

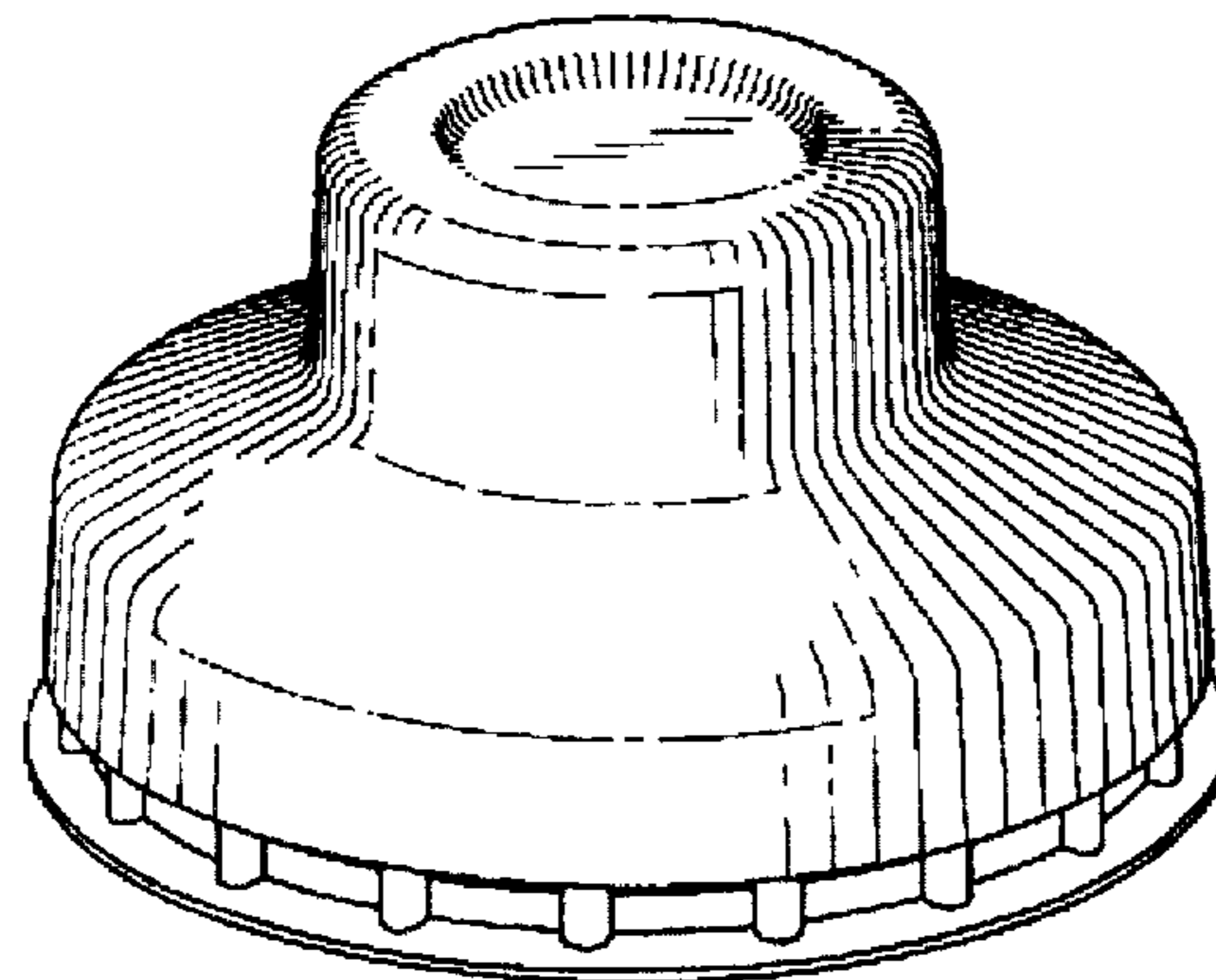
FIG. 5 is a bottom view thereof.

[56] **References Cited**

U.S. PATENT DOCUMENTS

D. 159,210 7/1950 Jones D9/452

1 Claim, 1 Drawing Sheet



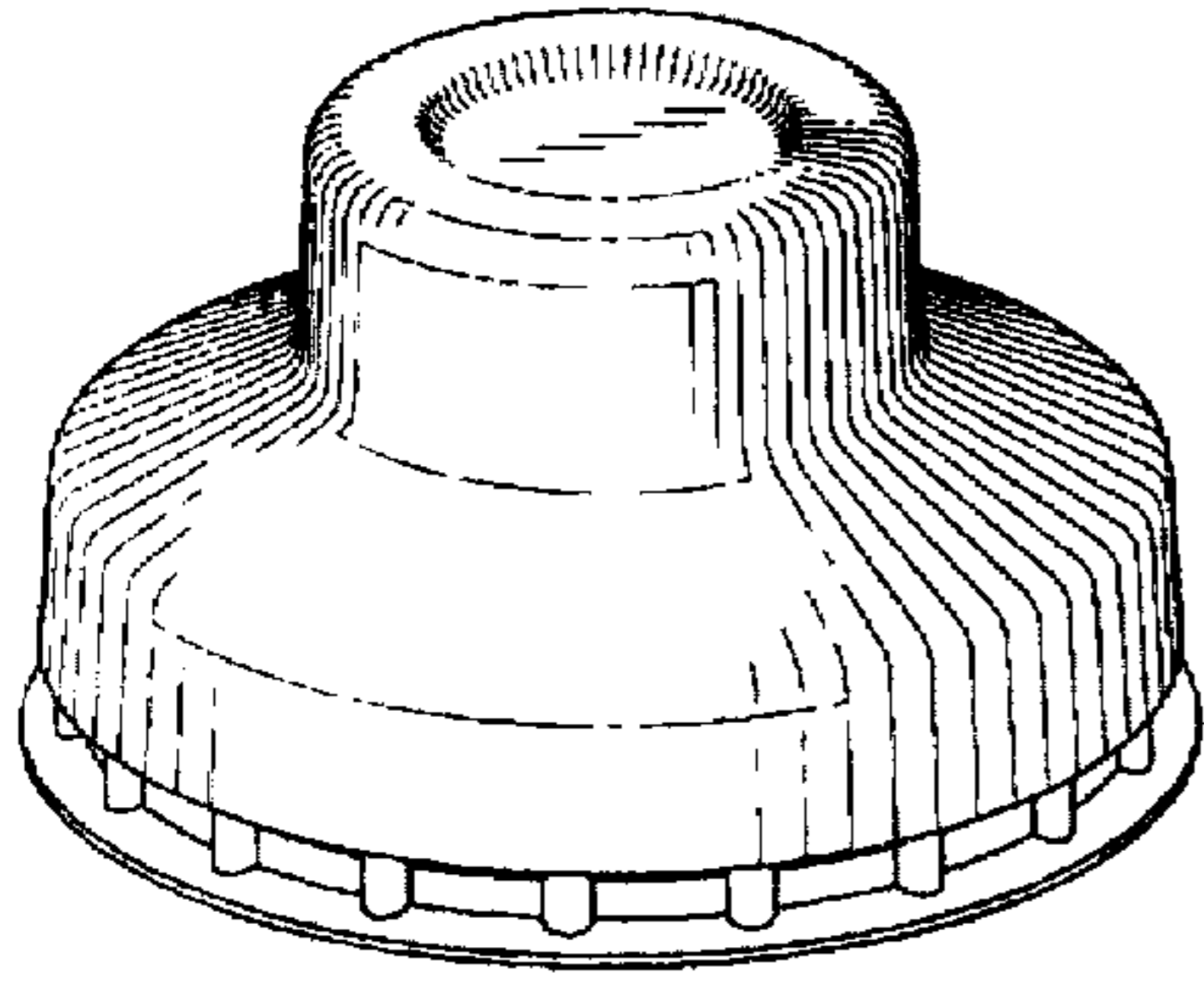


Fig. 1

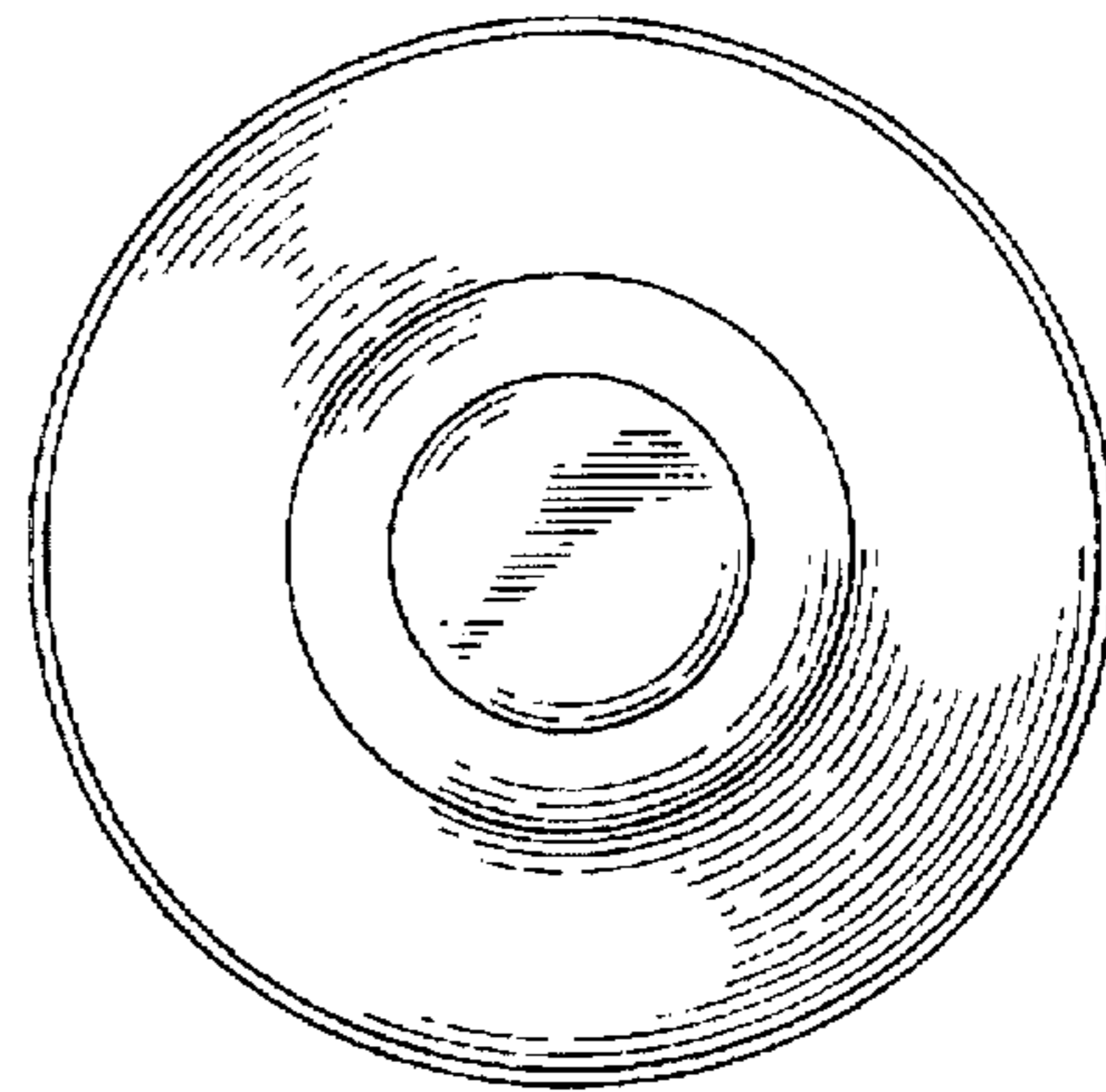


Fig. 2

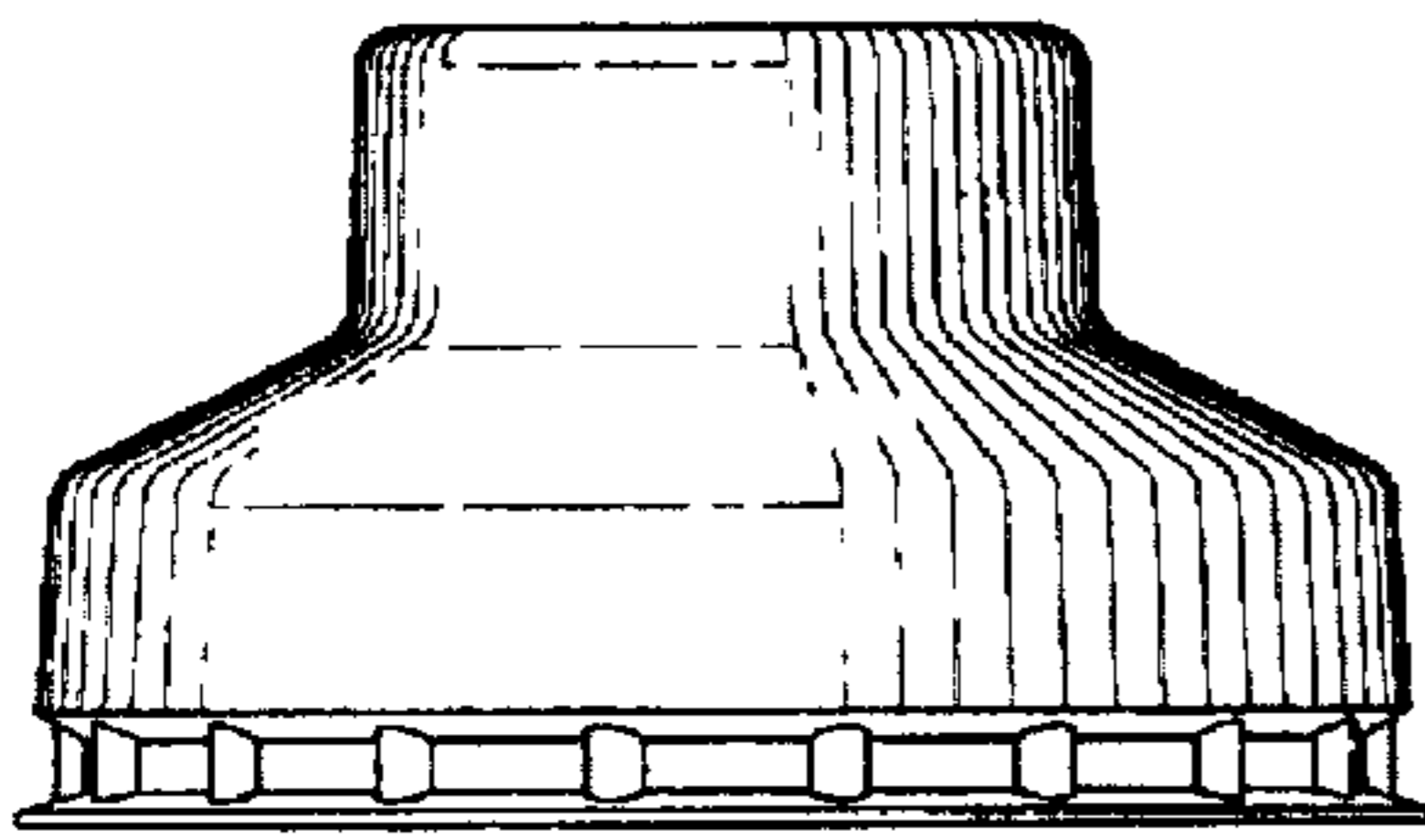


Fig. 3

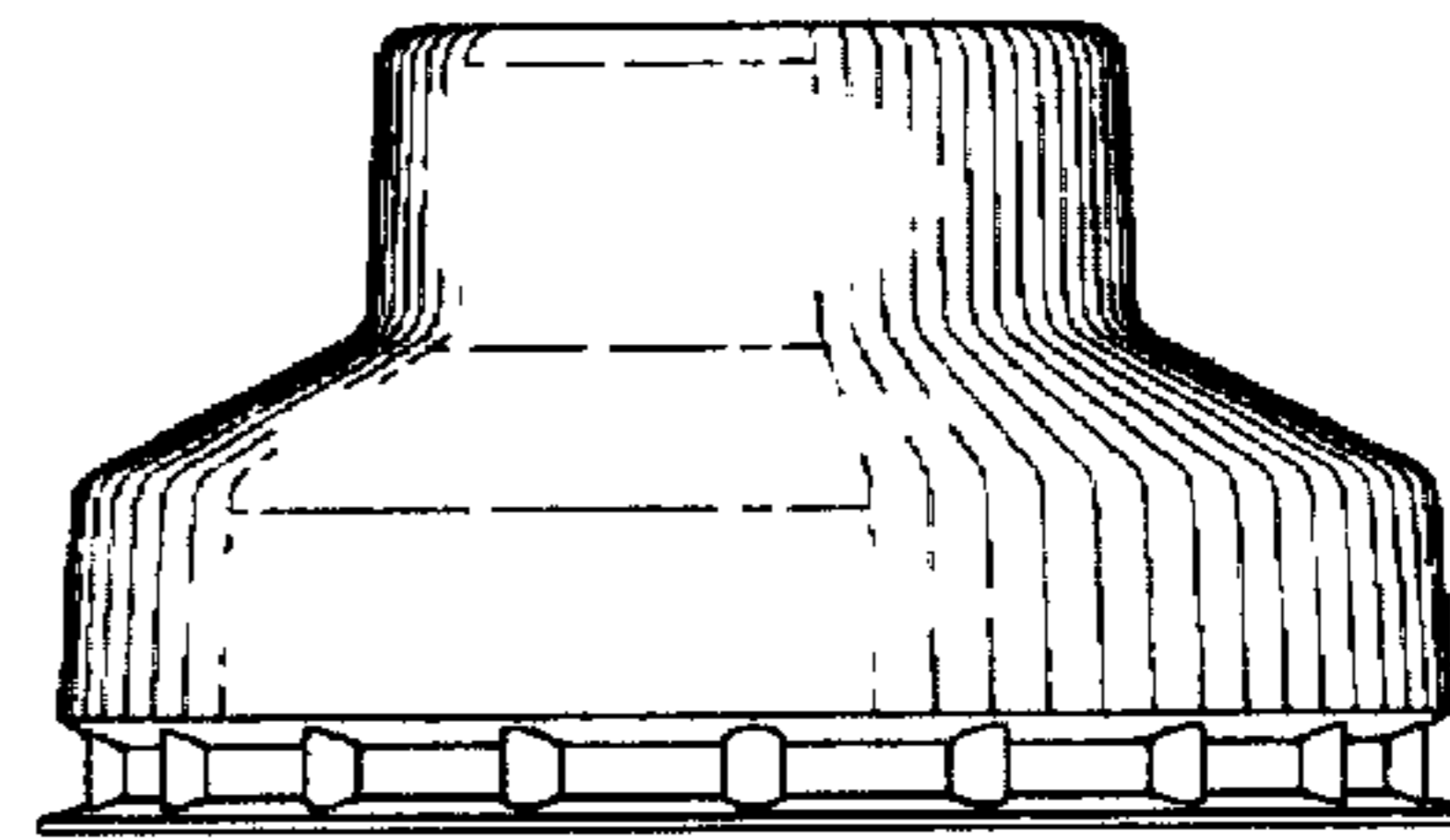


Fig. 4

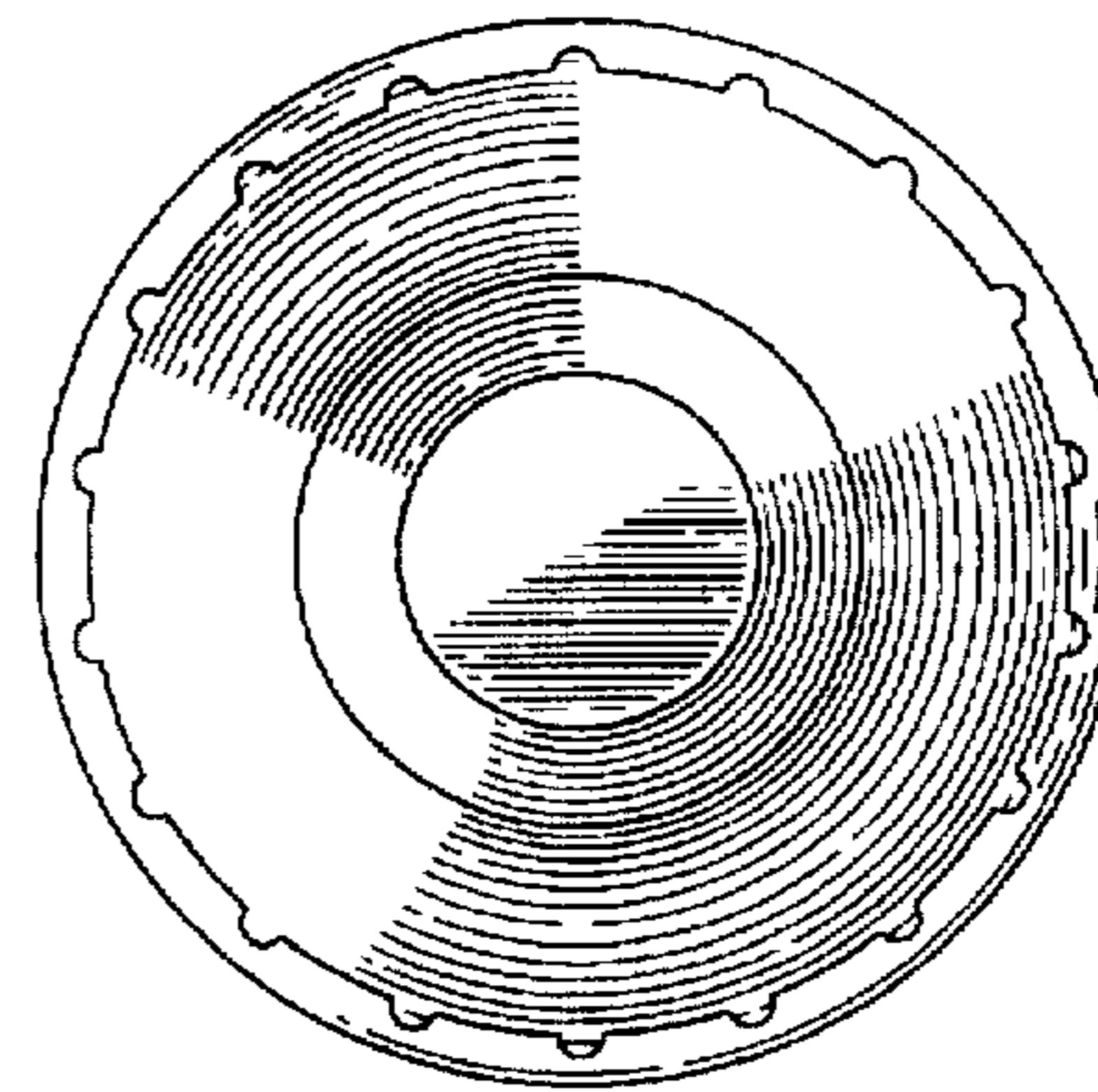


Fig. 5