



US00D390461S

United States Patent [19]
Piselli

[11] **Patent Number:** **Des. 390,461**
[45] **Date of Patent:** ****Feb. 10, 1998**

[54] **REMOVABLE PAINT CAN INSERT**
[76] **Inventor:** **Richard G. Piselli**, 201 W. Main St.,
Milford, Conn. 06460
[**] **Term:** **14 Years**
[21] **Appl. No.:** **54,716**
[22] **Filed:** **May 20, 1996**
[51] **LOC (6) Cl.** **09-07**
[52] **U.S. Cl.** **D9/435**
[58] **Field of Search** D9/434, 435, 440,
D9/447, 499; D32/53, 54; 220/695, 698,
700; 222/567, 568, 570

2,837,256 6/1958 Daner 220/700 X
3,239,113 3/1966 Knize D9/447 X
5,392,969 2/1995 Usery 222/570

Primary Examiner—James Gandy
Assistant Examiner—Cathron B. Matta
Attorney, Agent, or Firm—Melvin I. Stoltz

[57] **CLAIM**

The ornamental design for a removable paint can insert, as shown and described.

DESCRIPTION

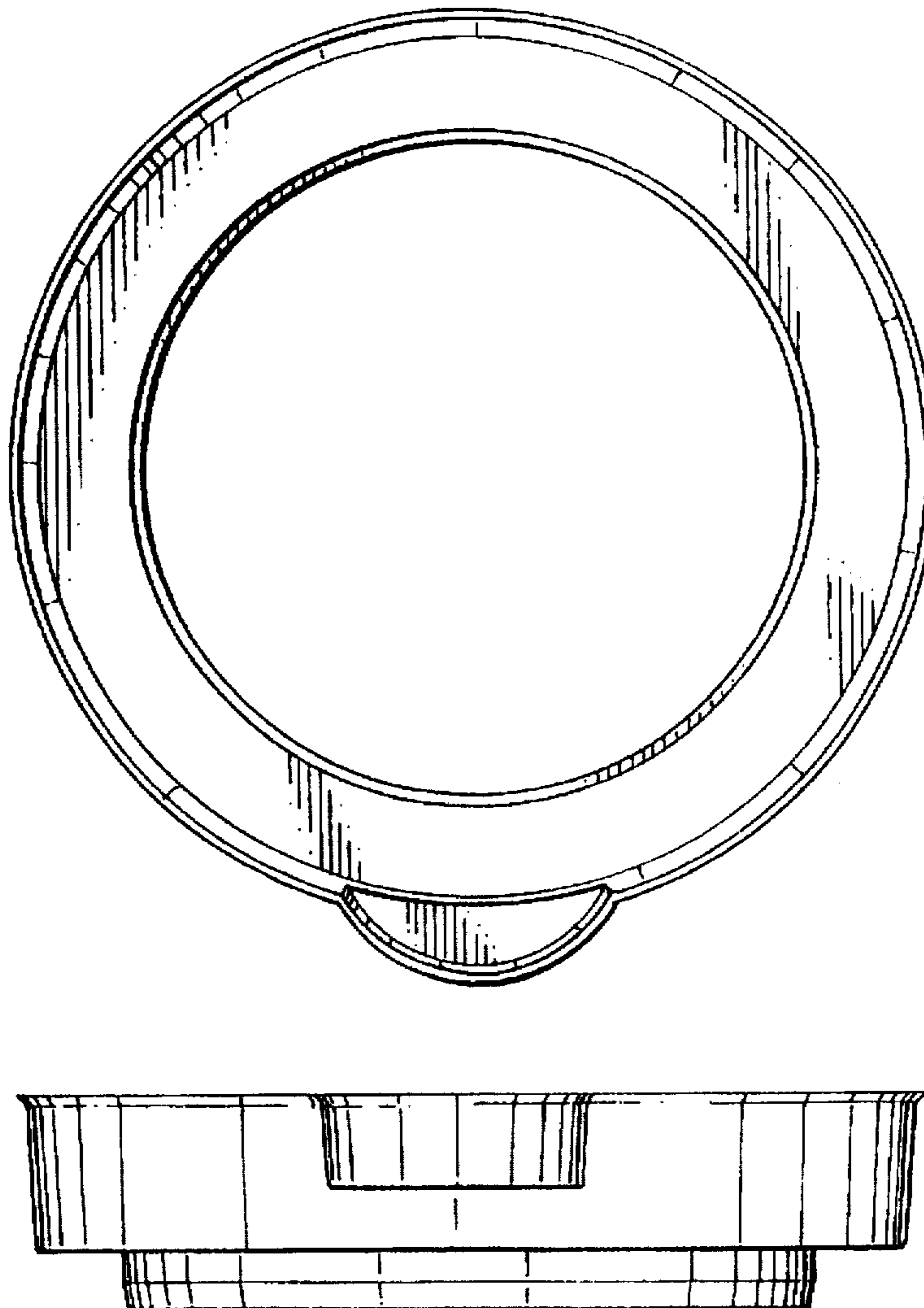
FIG. 1 is a top plan view of the removable paint can insert showing my new design;
FIG. 2 is a front elevational view thereof;
FIG. 3 is a side elevational view looking from the left side of FIG. 2, the opposite side being a mirror image thereof;
FIG. 4 is a bottom plan view thereof; and,
FIG. 5 is a rear elevational view thereof.

[56] **References Cited**

U.S. PATENT DOCUMENTS

D. 207,051 2/1967 Bainbridge D9/447
D. 321,325 11/1991 Petrus D9/435
D. 369,975 5/1996 Simon D9/435

1 Claim, 2 Drawing Sheets



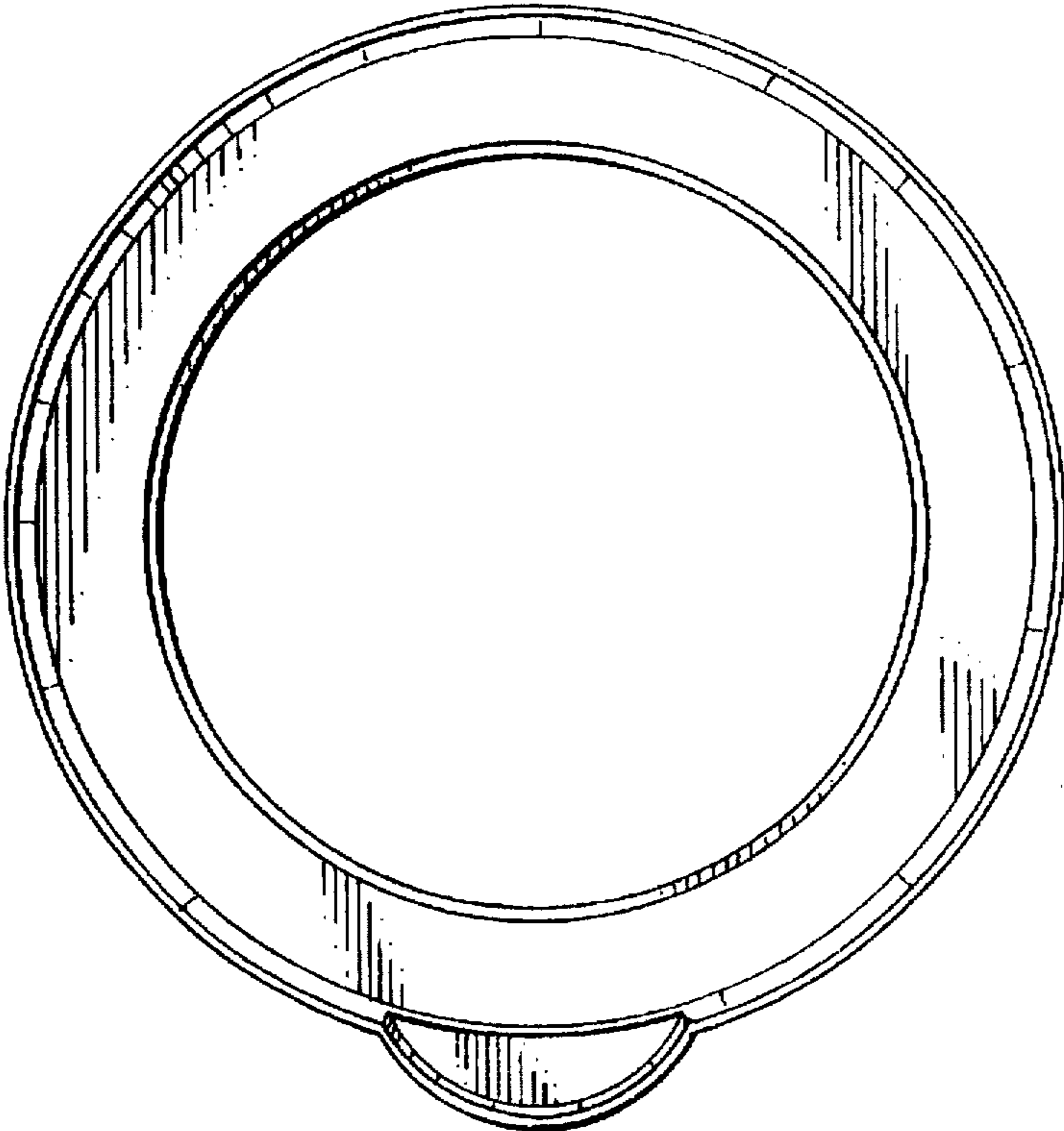


FIG. 1

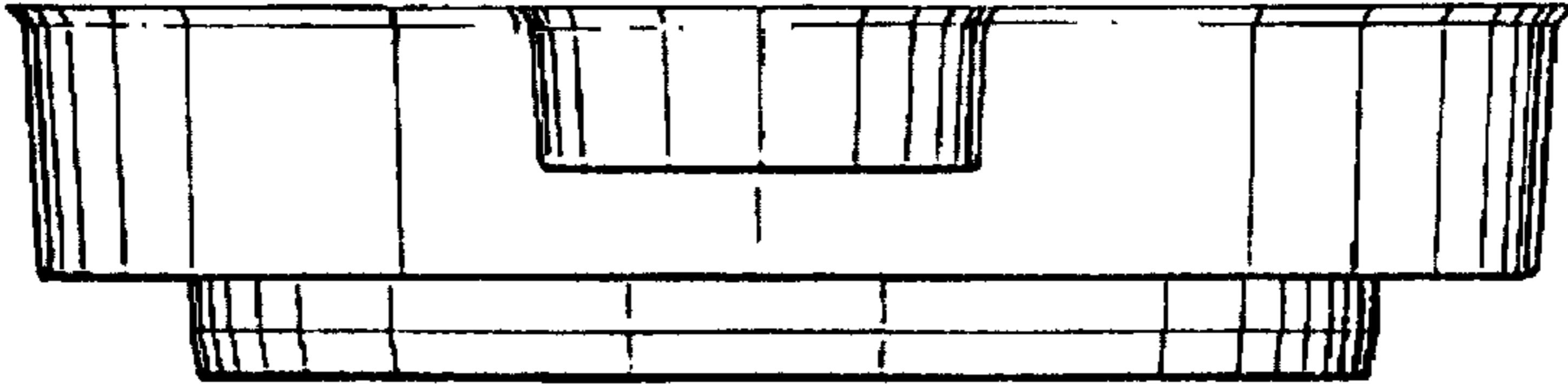


FIG. 2

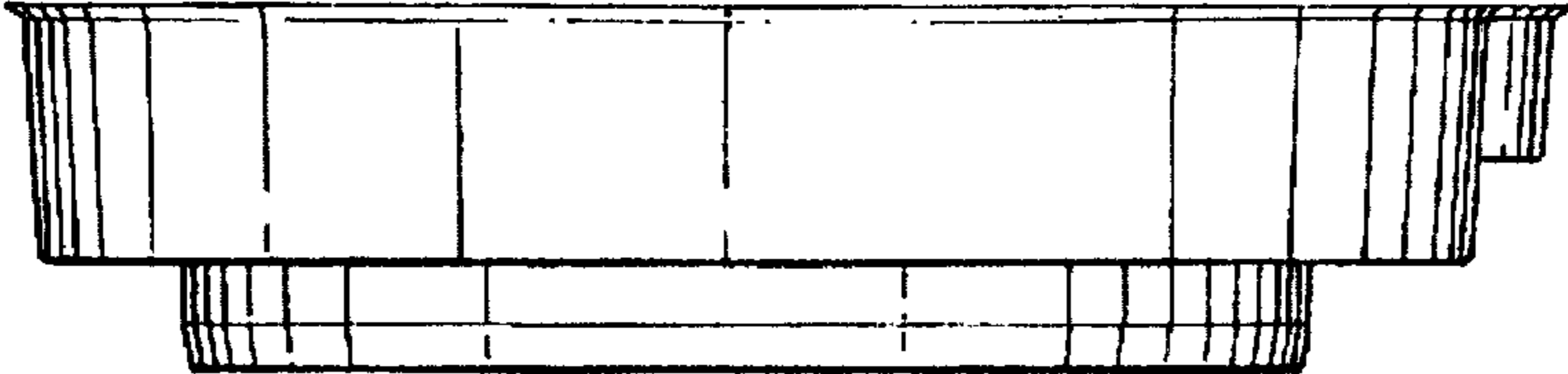


FIG. 3

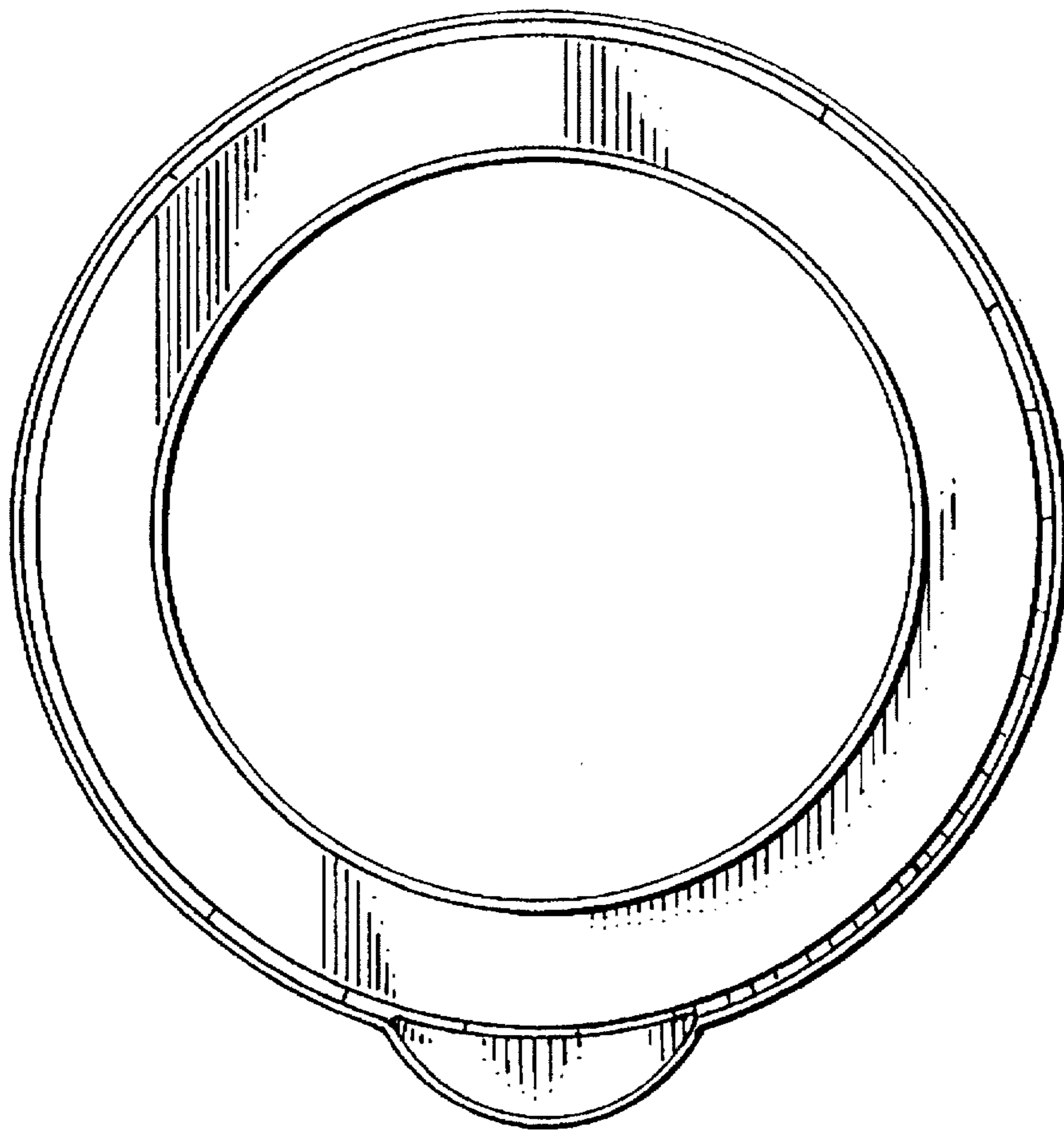


FIG. 4

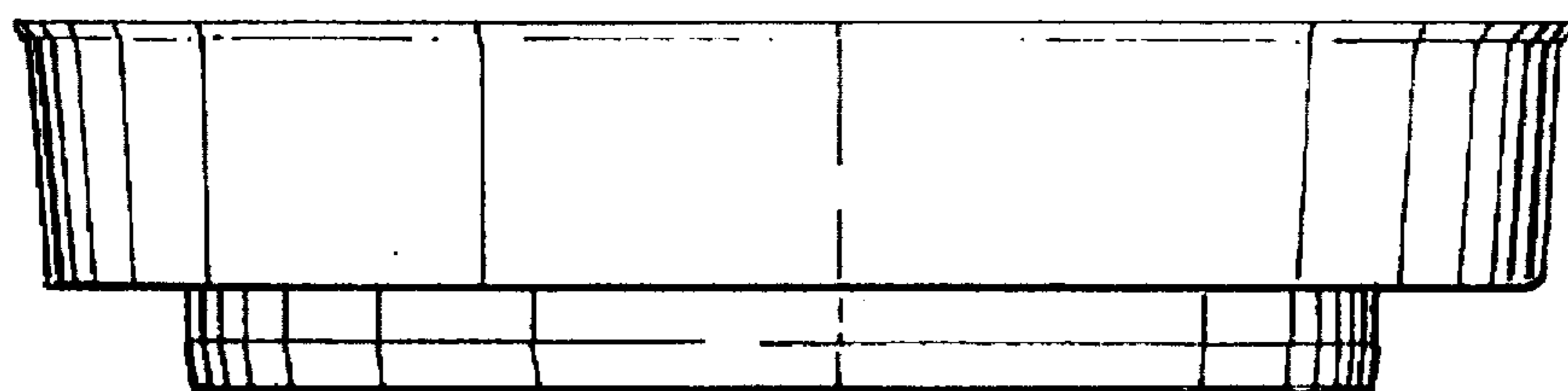


FIG. 5