



US00D390457S

United States Patent [19]

[11] Patent Number: **Des. 390,457**

Hoska et al.

[45] Date of Patent: ****Feb. 10, 1998**

[54] **POUCH FOR CONDIMENT PACKETS**

4,218,155 8/1980 Weidner 206/820 X
5,472,093 12/1995 Nugent et al. 206/484 X

[76] Inventors: **Gerald R. Hoska**, 10901 Hampshire Ave. South, Minneapolis, Minn. 55438;
Stephen G. Hoska, 16512 NE. Edison St., Ham Lake, Minn. 55449

Primary Examiner—Ted Shooman
Assistant Examiner—Nanda Bondade
Attorney, Agent, or Firm—Haugen and Nikolai, P.A.

[**] Term: **14 Years**

[57] **CLAIM**

[21] Appl. No.: **63,728**

The ornamental design for the pouch for condiment packets, as shown and described.

[22] Filed: **Dec. 13, 1996**

DESCRIPTION

[51] **LOC (6) Cl.** **09-03**

[52] **U.S. Cl.** **D9/341**

[58] **Field of Search** D9/341, 345, 414-416, D9/418, 423; 206/484, 820; 383/37

FIG. 1 is a perspective view of the pouch for condiment packets of the present design;

FIG. 2 is a front elevational view thereof, the rear view being a mirror image;

FIG. 3 is a side elevational view thereof, the opposite side being a mirror image;

FIG. 4 is a top plan view thereof; and,

FIG. 5 is a bottom plan view thereof.

The broken lines shown in FIGS. 1 and 2 represent tear lines.

[56] **References Cited**

U.S. PATENT DOCUMENTS

D. 304,679	11/1989	Corella	D9/415	X
D. 330,326	10/1992	Homeycutt	D9/415	X
3,288,280	11/1966	Bostrom	206/820	X
4,193,498	3/1980	Rowling	206/820	X

1 Claim, 2 Drawing Sheets

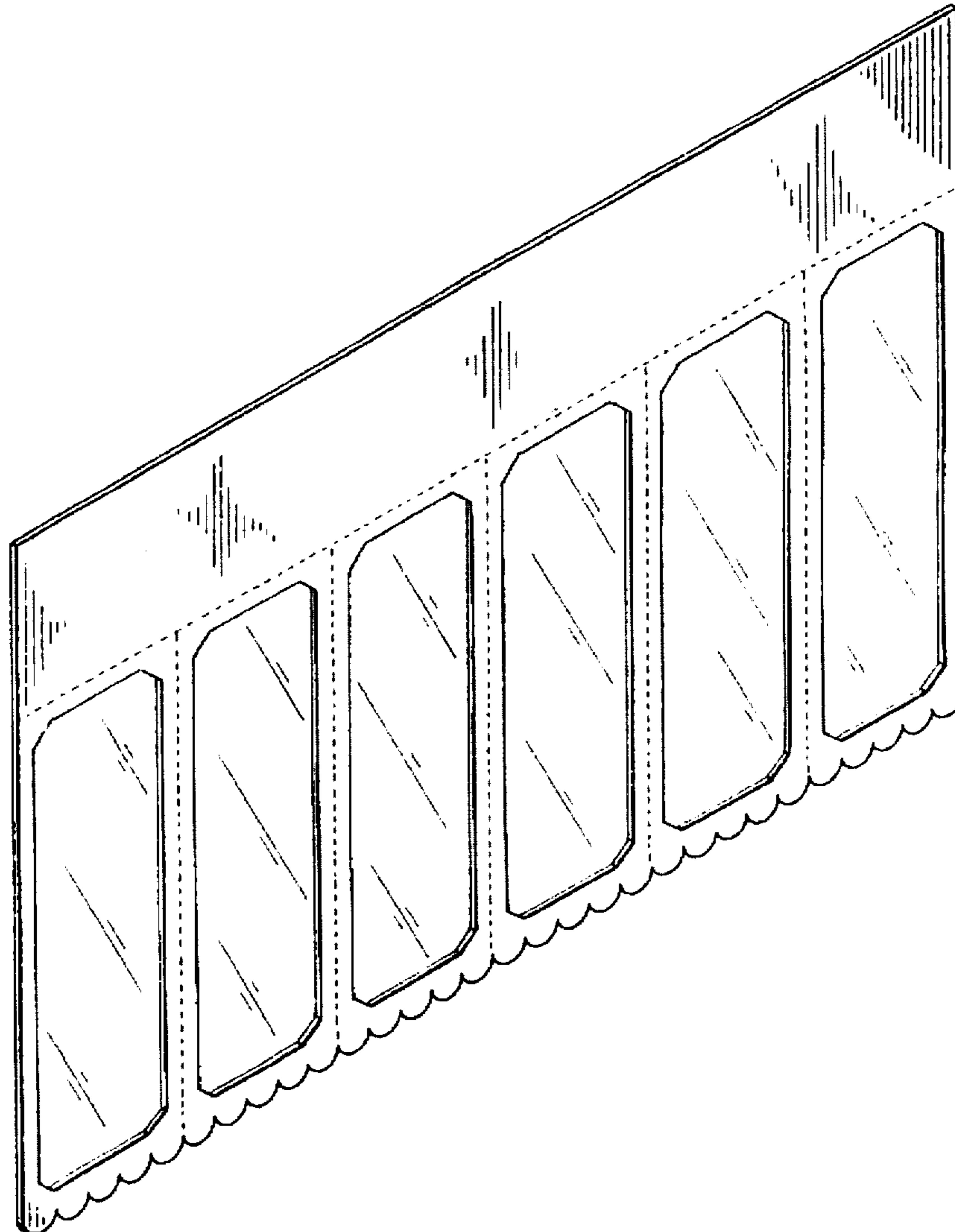


Fig.-1

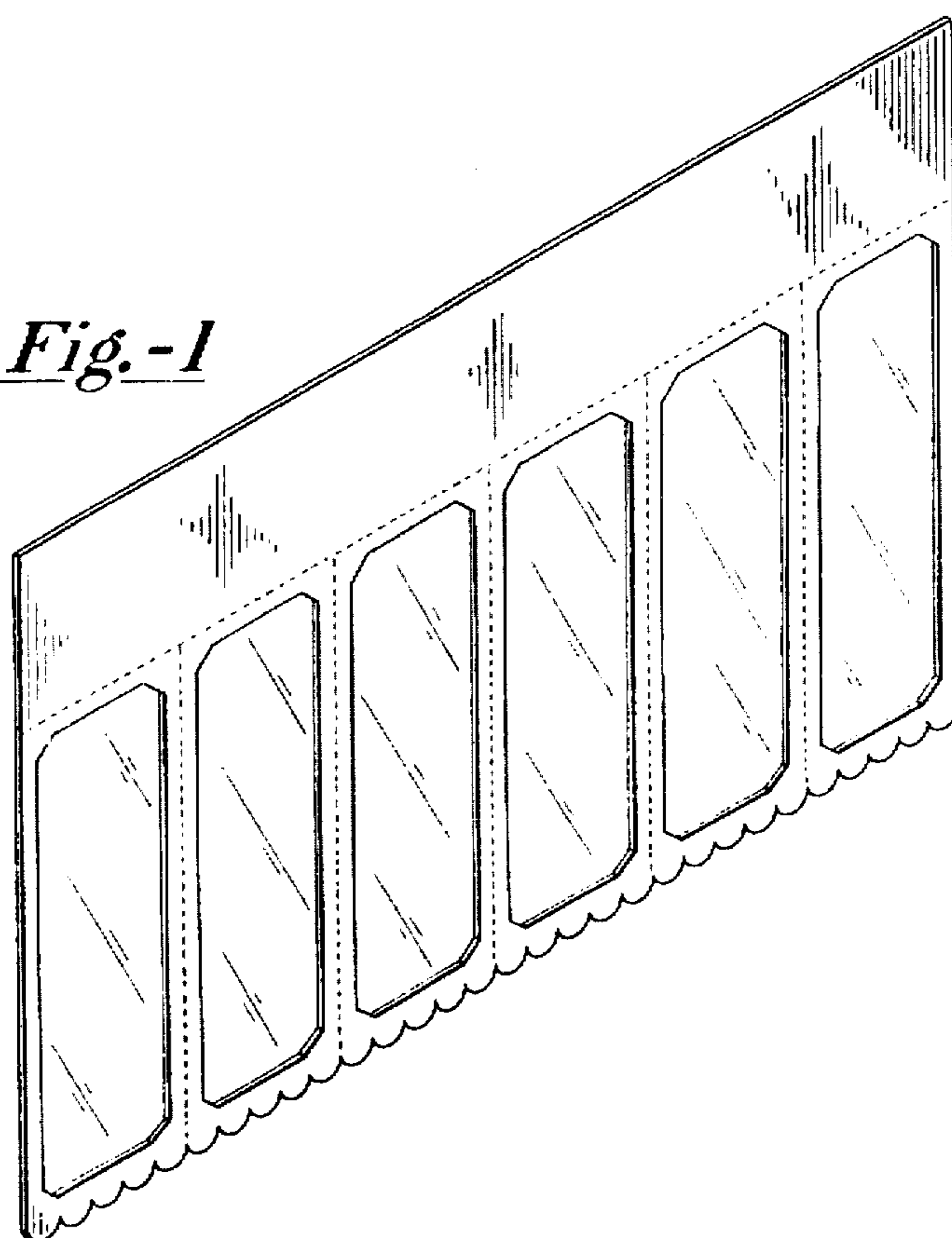


Fig.-2

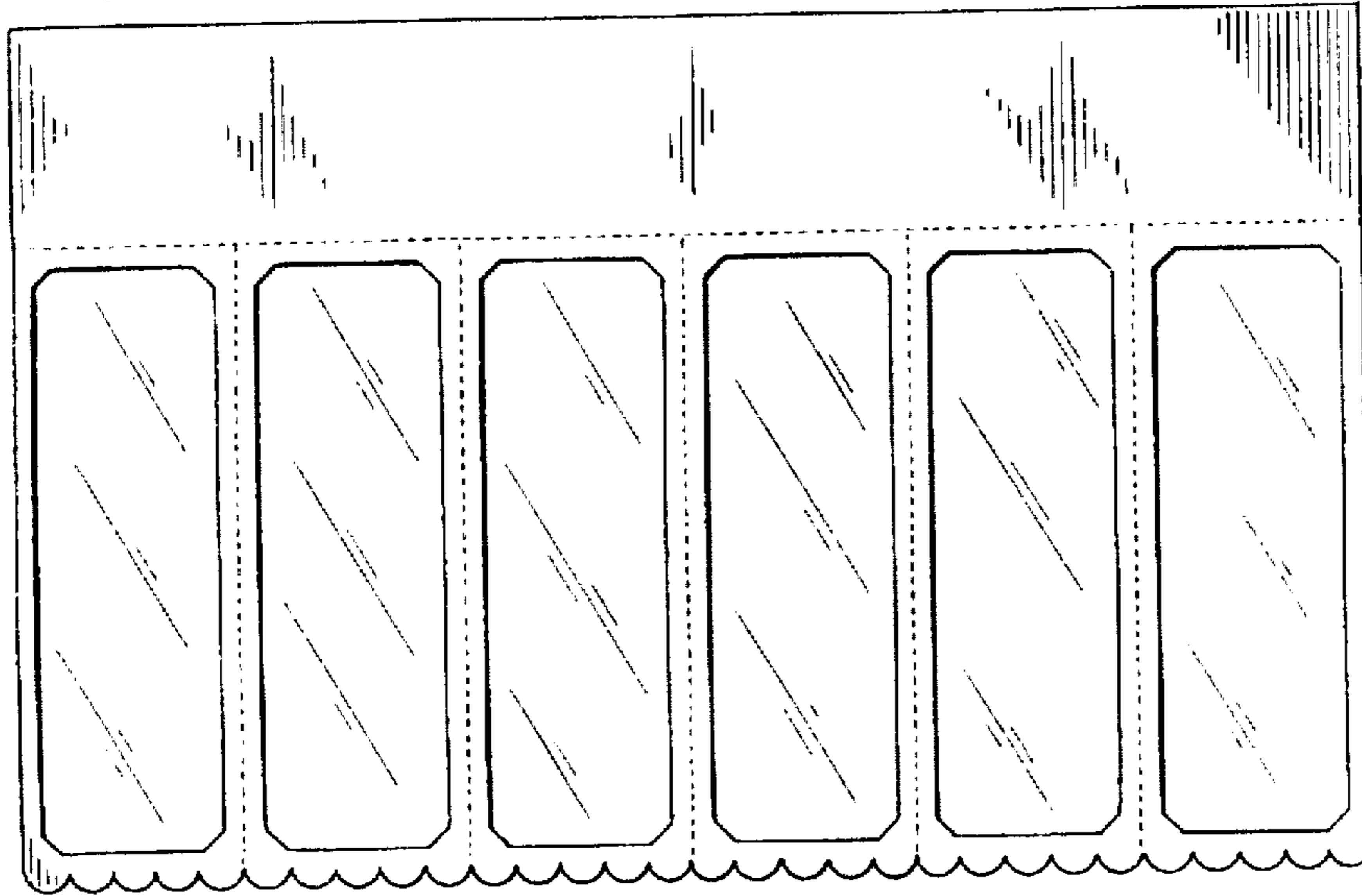


Fig.-3



Fig.-4

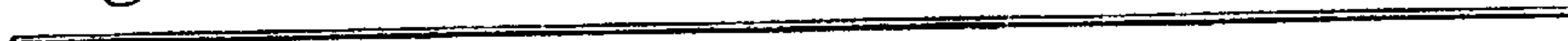


Fig.-5

