



US00D390454S

# United States Patent [19]

[11] Patent Number: Des. 390,454

Vetter et al.

[45] Date of Patent: \*\*Feb. 10, 1998

## [54] OUTER SURFACE OF AN OPERATOR HOUSING

[75] Inventors: Gregory J. Vetter, Owatonna; Valerie M. Baldwin, Albert Lea; Perry L. Virkler, Owatonna, all of Minn.

[73] Assignee: Truth Hardware Corporation, Owatonna, Minn.

[\*\*] Term: 14 Years

[21] Appl. No.: 54,608

[22] Filed: May 17, 1996

[51] LOC (6) Cl. .... 08-09

[52] U.S. Cl. .... D8/400; 74/545

[58] Field of Search ..... D8/400; 49/337, 49/335, 333, 339, 345; 74/606 R, 545

## [56] References Cited

### U.S. PATENT DOCUMENTS

Re. 26,508	12/1968	Stavenau et al. .	
D. 360,357	7/1995	Peterson et al. ....	D8/400
D. 365,513	12/1995	Vettet et al. ....	D8/400
D. 375,042	10/1996	Anderson et al. ....	D8/400
D. 376,099	12/1996	Orf et al. ....	D8/400
2,824,735	2/1958	Stavenau et al. .	
2,977,810	4/1961	Stavenau .	
3,032,330	5/1962	Stavenau .	
3,103,351	9/1963	Ahlgren .....	49/339 X
3,258,874	7/1966	Martin .	
3,438,151	4/1969	Evers et al. ....	49/345
3,457,675	7/1969	Armstrong .	
4,253,276	3/1981	Peterson et al. .	
4,756,206	7/1988	Kao .....	74/606 R X
4,937,976	7/1990	Tucker et al. .	

### FOREIGN PATENT DOCUMENTS

75881	3/1995	Canada .
1527723	10/1978	United Kingdom .

### OTHER PUBLICATIONS

Truth Brochure for "Lever Operator" (p. 3.1), undated.  
Truth Brochure for "Roto Gear Awning Operator" (p. 3.2), undated.

Truth Brochure for "Entrygard® Awning Operator" (p. 3.3), undated.

Truth Brochure for "Single Arm Operator (surface mount)" (p. 3.8), undated.

Truth Brochure for "Split Arm Operator" (p. 3.9), undated.

Truth Brochure for "Pivot Shoe Roto Operator" (pp. 3.10-3.10c), ©1996.

Truth Brochure for "Single Arm Operator (Face-Mount)" (pp. 3.12-3.12d), ©1996.

Truth Brochure for "Dyad Operator" (p. 3.13), undated.

Primary Examiner—Terry A. Wallace

Assistant Examiner—C. Tuttle

Attorney, Agent, or Firm—Wood, Phillips, VanSanten, Clark & Mortimer

## [57] CLAIM

The ornamental design for an outer surface of an operator housing, as shown and described.

## DESCRIPTION

FIG. 1 is a perspective view of the outer surface of an operator housing as oriented relative to a window sill and sash (not shown), with an exemplary handle as might be used with the housing shown in phantom;

FIG. 2 is a top view of the outer surface of an operator housing;

FIG. 3 is a front view of the outer surface of an operator housing;

FIG. 4 is a left end view of the outer surface of an operator housing, the right end being a mirror image; and,

FIG. 5 is a bottom view of the outer surface of an operator housing.

The broken lines showing the handle, handle opening, rear mounting tabs and interior structures of the housing are for illustrative purposes only and form no part of the claimed design. The undisclosed rear surface and unshaded portions of the bottom surface are not visible when the housing is mounted on a window sill and sash; and likewise form no part of the claimed design.

1 Claim, 1 Drawing Sheet

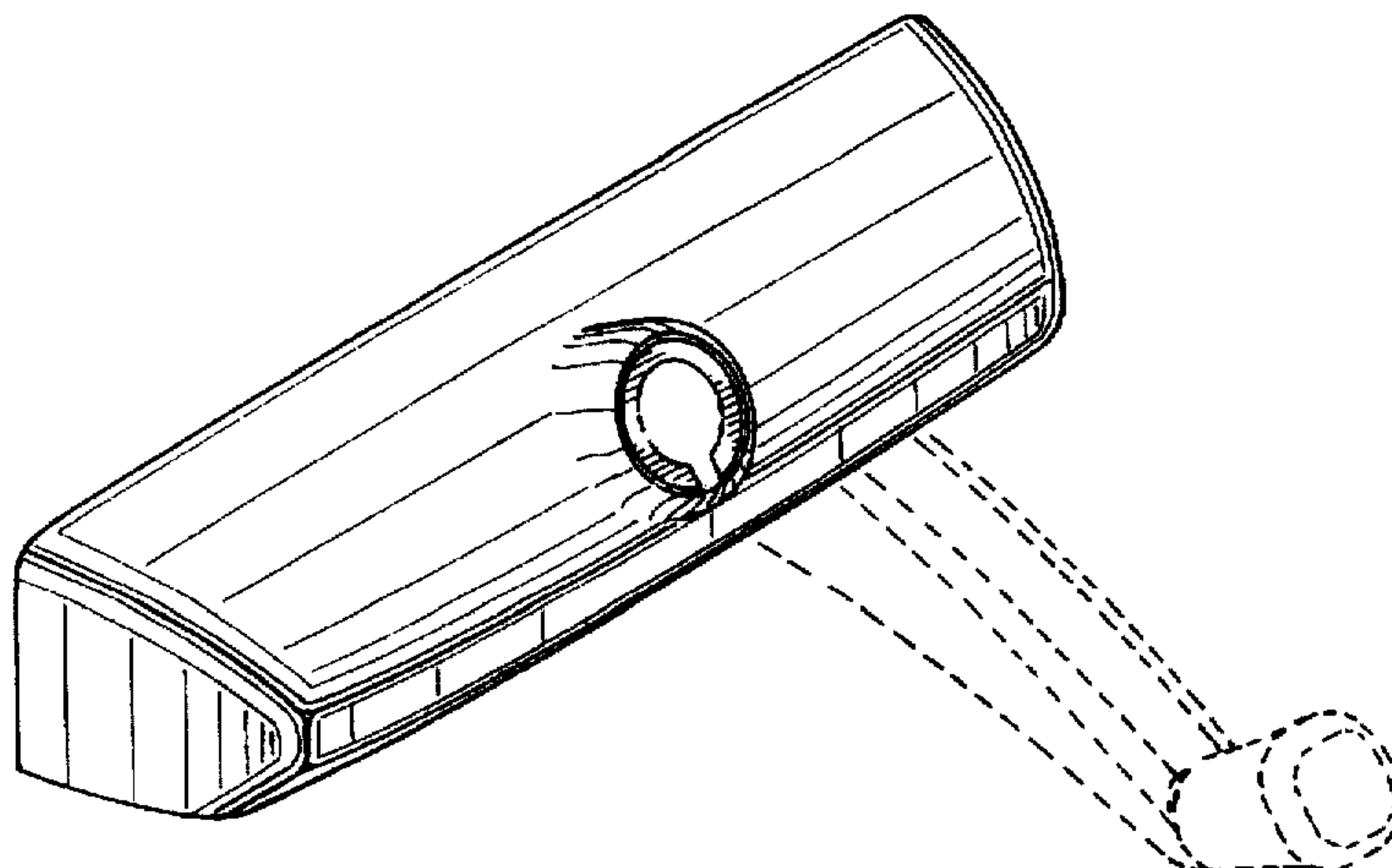


FIG. 1

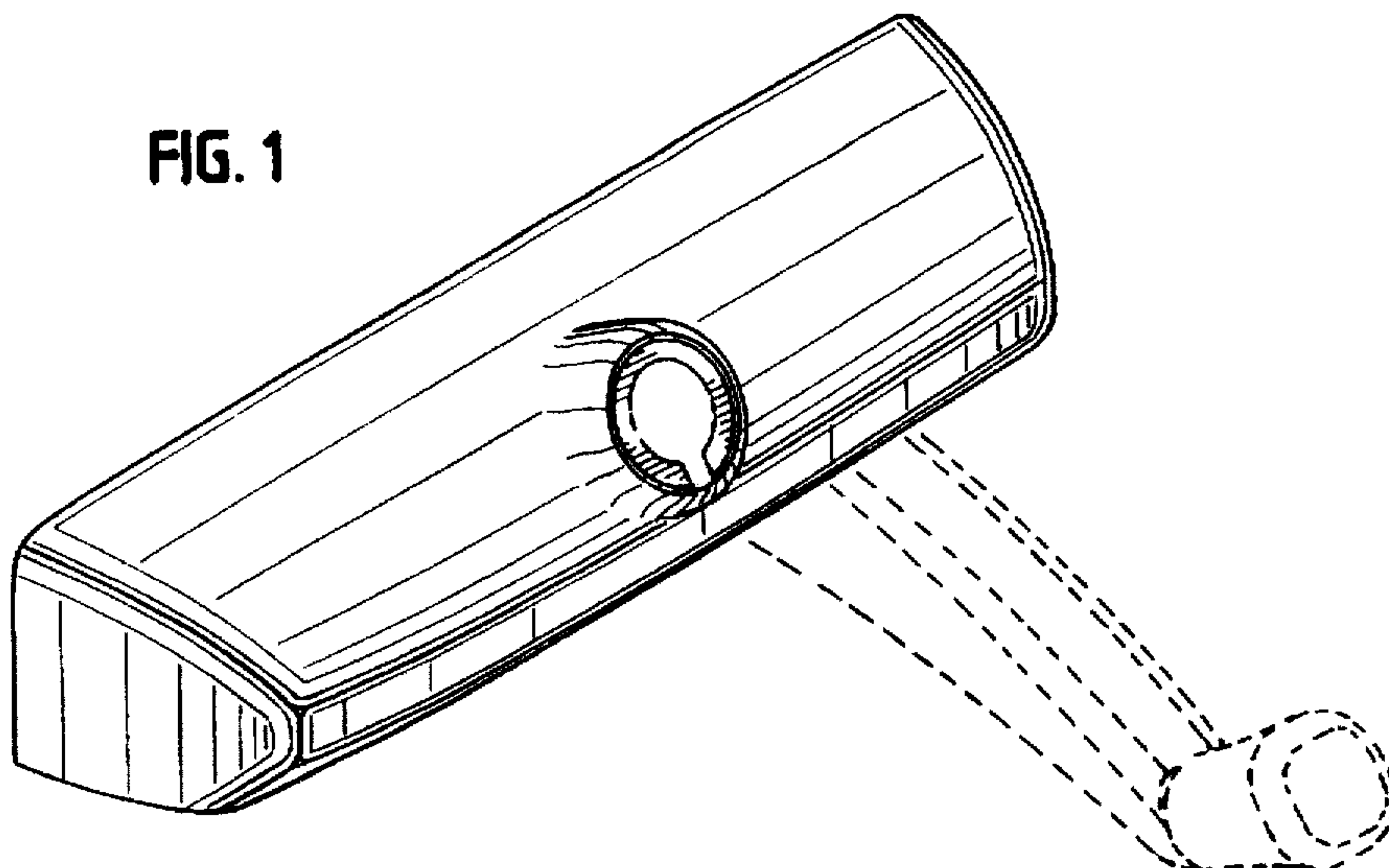


FIG. 2

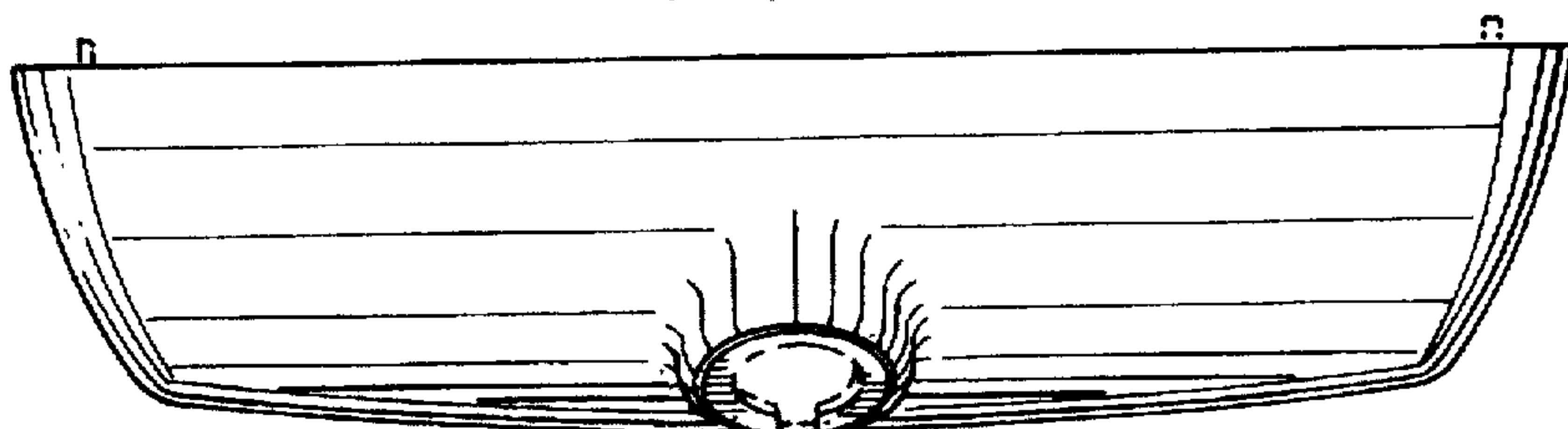


FIG. 4

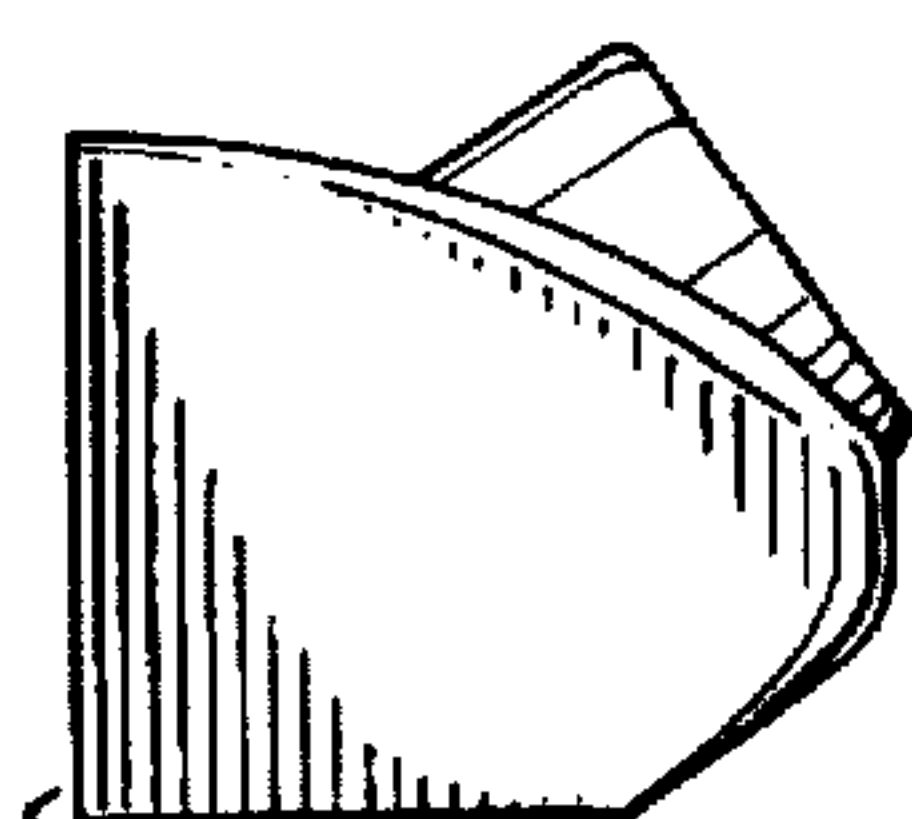


FIG. 3

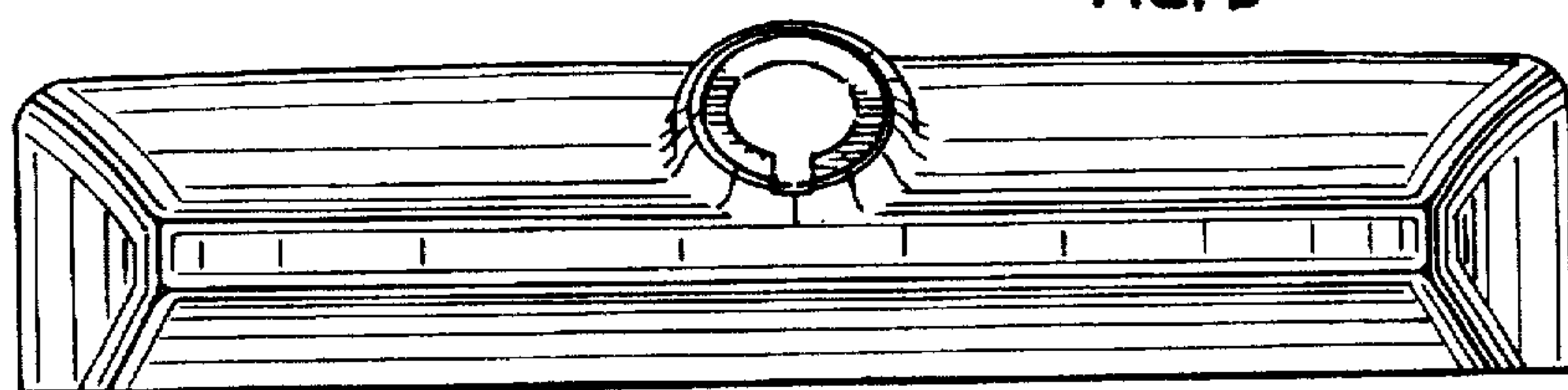


FIG. 5

