



US00D390453S

United States Patent [19]

Hamerski et al.

[11] Patent Number: Des. 390,453

[45] Date of Patent: **Feb. 10, 1998

[54] WIRE RETAINING CLIP

[75] Inventors: Michael D. Hamerski, Baldwin, Wis.; James L. Bries, Cottage Grove, Minn.; Johannes N. Gaston; Douglas J. VanOrnum, both of Minnetonka, Minn.

[73] Assignee: Minnesota Mining and Manufacturing Company, St. Paul, Minn.

[**] Term: 14 Years

[21] Appl. No.: 53,848

[22] Filed: Feb. 23, 1996

Related U.S. Application Data

[63] Continuation-in-part of Ser. No. 47,728, Dec. 12, 1995, abandoned.

[51] LOC (6) Cl. 08-08

[52] U.S. Cl. D8/396

[58] Field of Search D8/395, 396, 356; D13/155; D25/119, 124, 125; 248/65, 74.1, 74.2, 74.3, 316.1; 174/68.3, 72 C, 117 A

[56] References Cited

U.S. PATENT DOCUMENTS

D. 295,521	5/1988	Mockett	D13/155
3,074,677	1/1963	Eckhardt	248/74.1
3,409,257	11/1968	Elm	248/65
3,491,971	1/1970	Fisher	248/65
4,563,542	1/1986	Pollack	174/68.3
4,856,739	8/1989	Takikawa	248/74.2

Primary Examiner—Paula A. Mortimer
Attorney, Agent, or Firm—William L. Huebsch

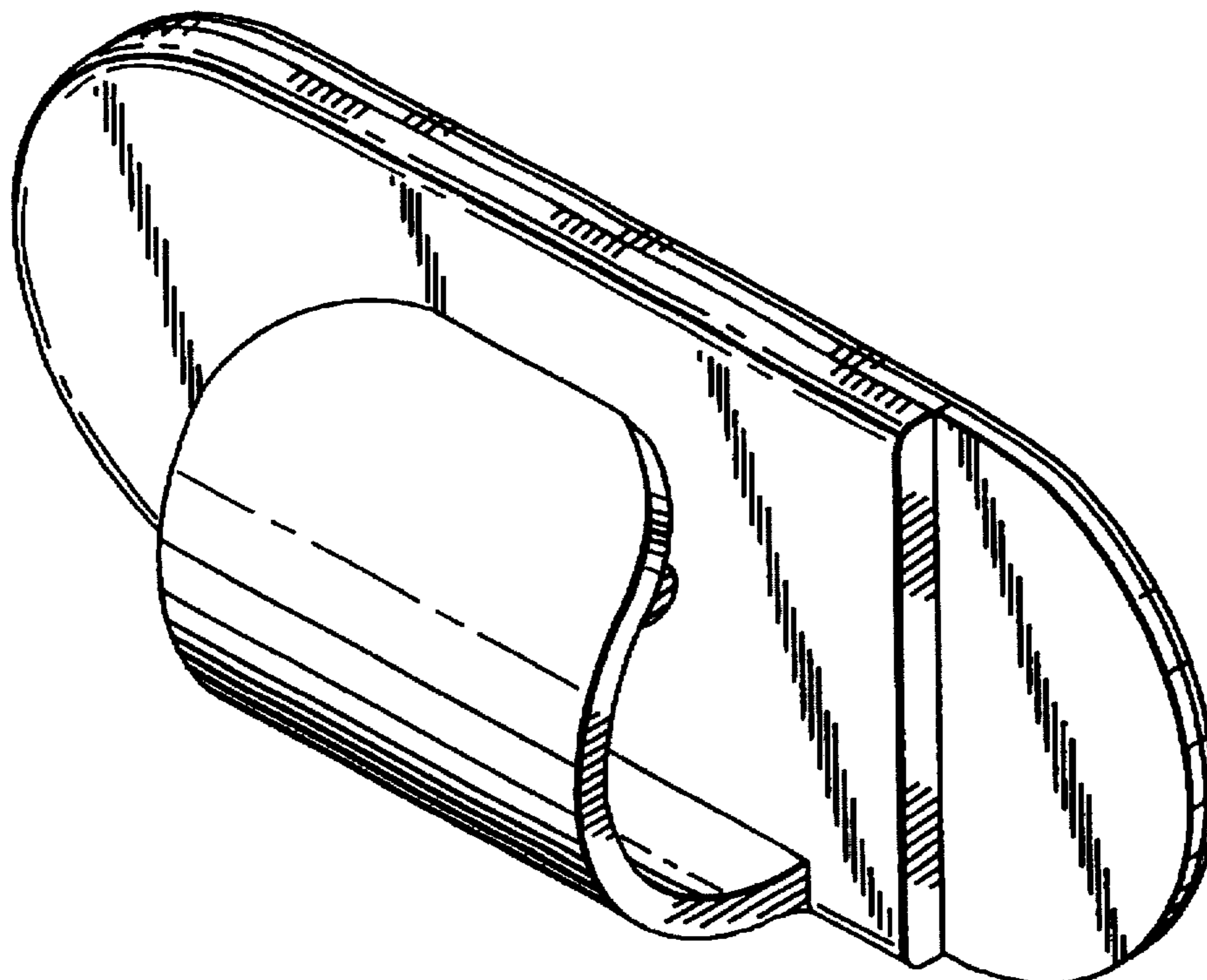
[57] CLAIM

The ornamental design for a wire retaining clip, as shown.

DESCRIPTION

FIG. 1 is a top, right, front isometric view of a first embodiment of a wire retaining clip showing our new design;
 FIG. 2 is a top plan view thereof;
 FIG. 3 is a bottom plan view thereof;
 FIG. 4 is a front elevational view thereof;
 FIG. 5 is a rear elevational view thereof;
 FIG. 6 is a left side elevational view thereof;
 FIG. 7 is a right side elevational view thereof;
 FIG. 8 is a top, right, front isometric view of a second embodiment of a wire retaining clip showing our new design;
 FIG. 9 is a top plan view of the embodiment shown in FIG. 8;
 FIG. 10 is a bottom plan view of the embodiment shown in FIG. 8;
 FIG. 11 is a front elevational view of the embodiment shown in FIG. 8;
 FIG. 12 is a rear elevational view of the embodiment shown in FIG. 8;
 FIG. 13 is a left side elevational view of the embodiment shown in FIG. 8; and,
 FIG. 14 is a right side elevational view of the embodiment shown in FIG. 8.

1 Claim, 4 Drawing Sheets



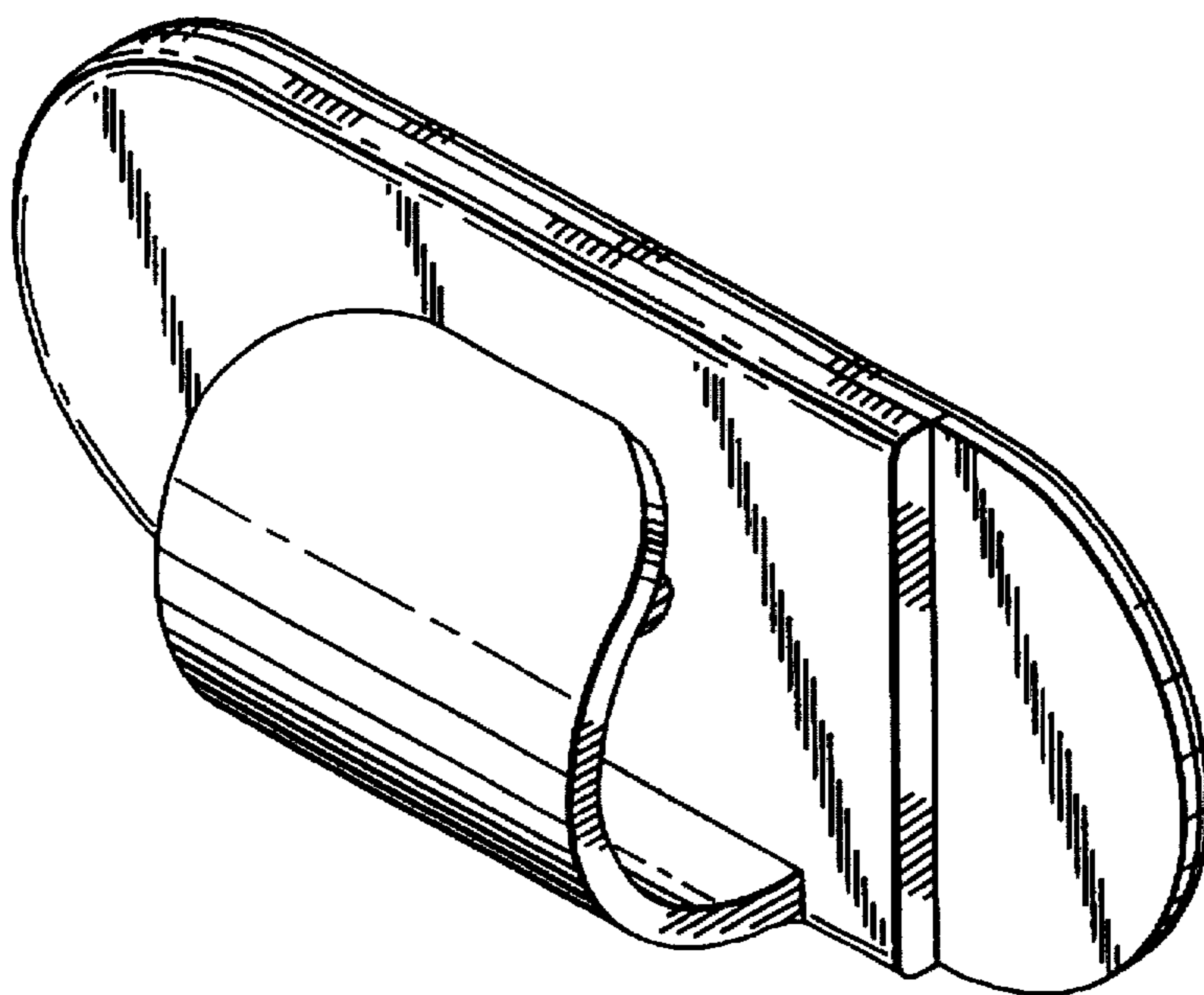


Fig. 1

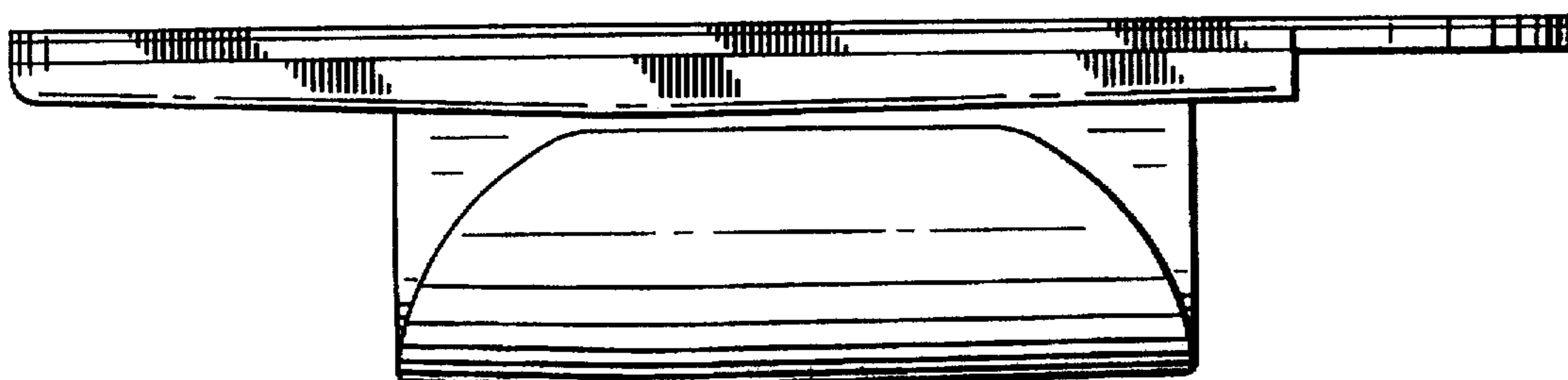


Fig. 2

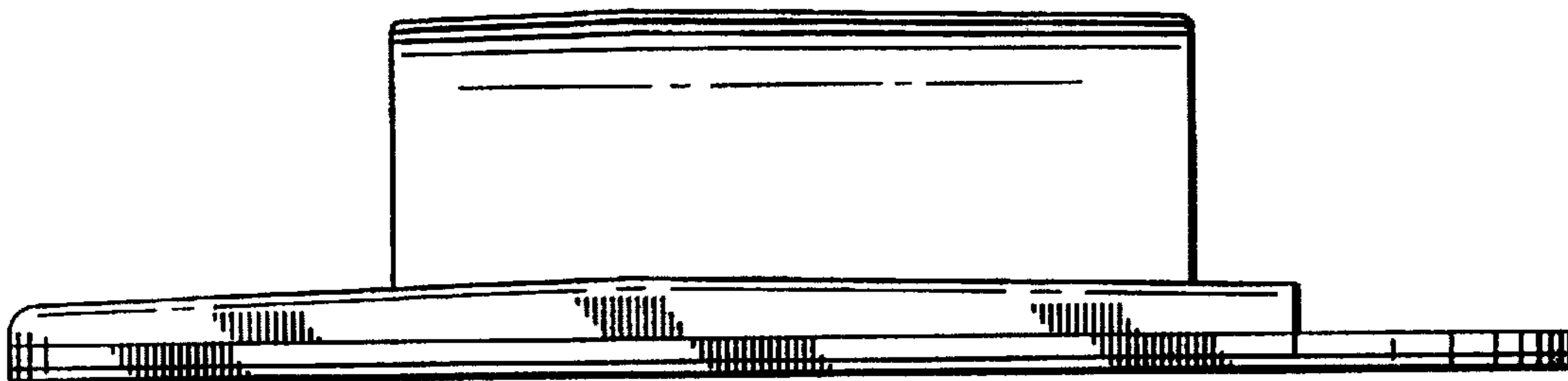


Fig. 3

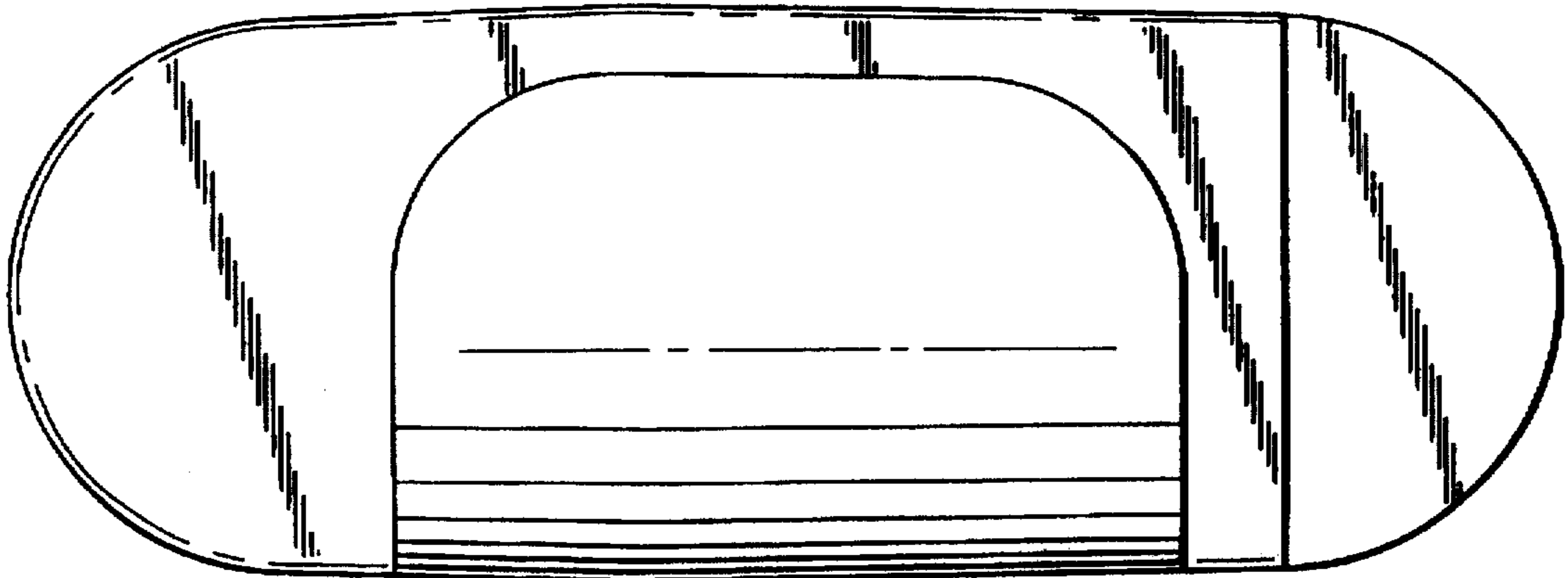


Fig. 4

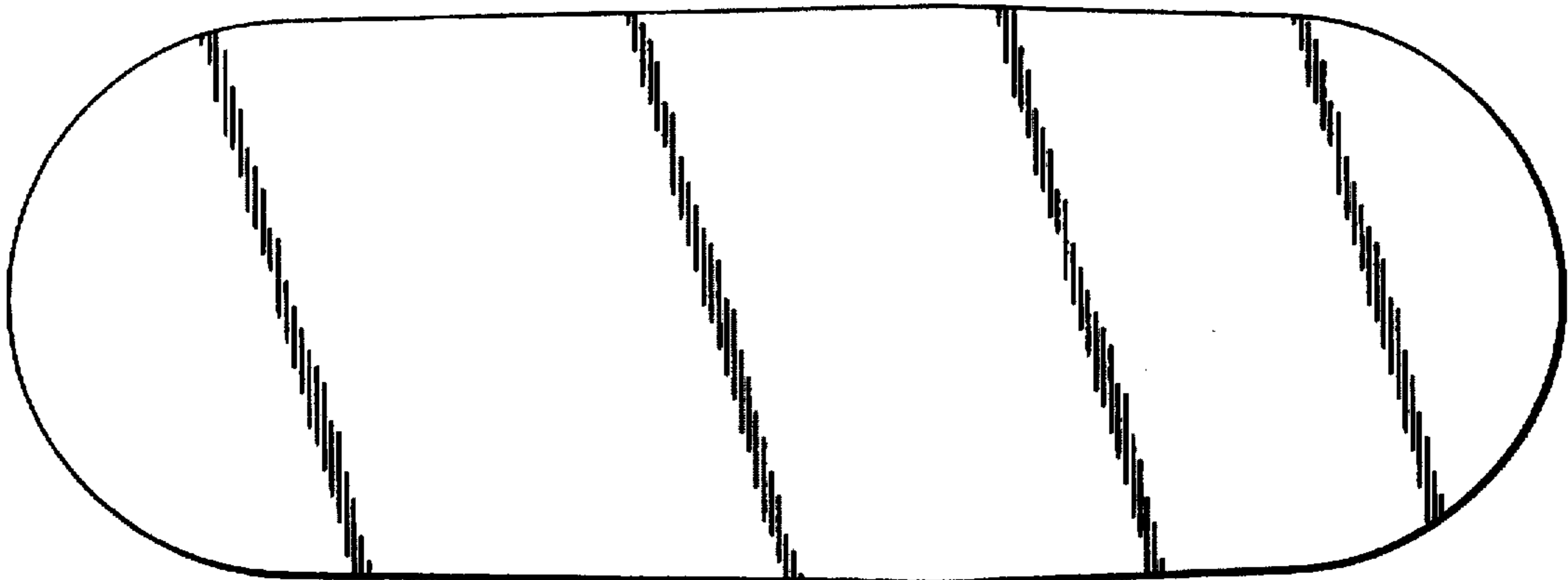


Fig. 5

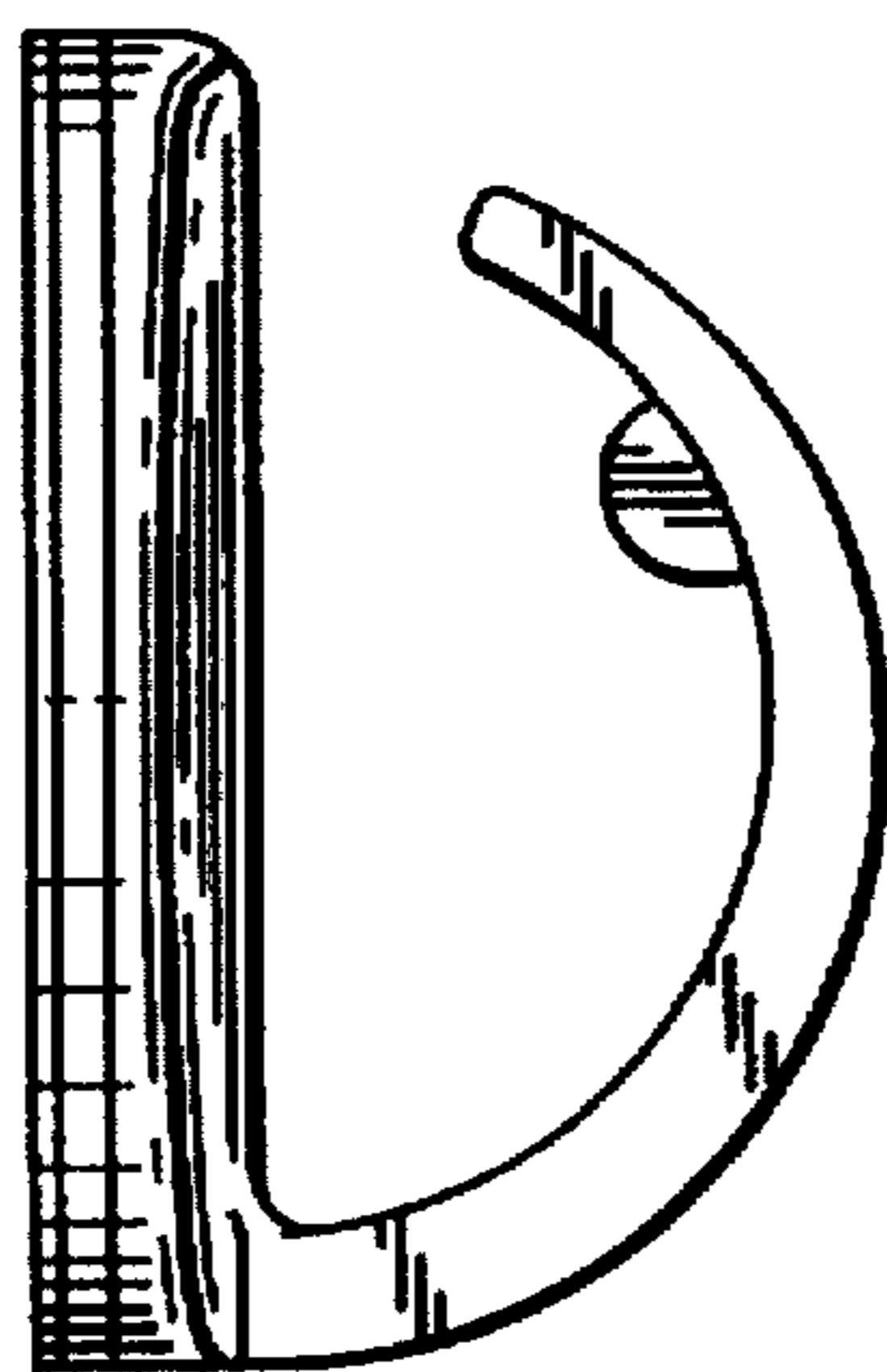


Fig. 6

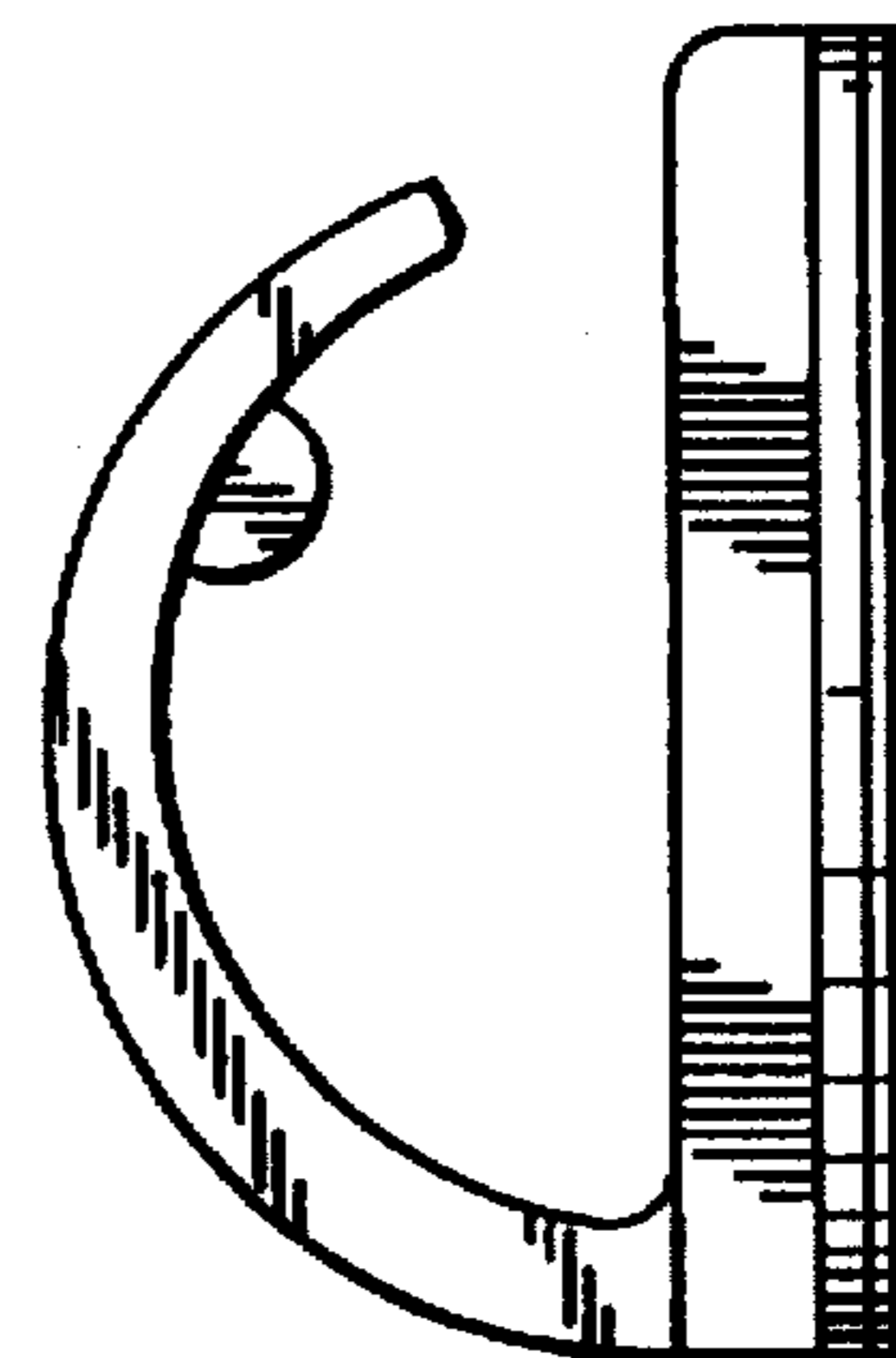


Fig. 7

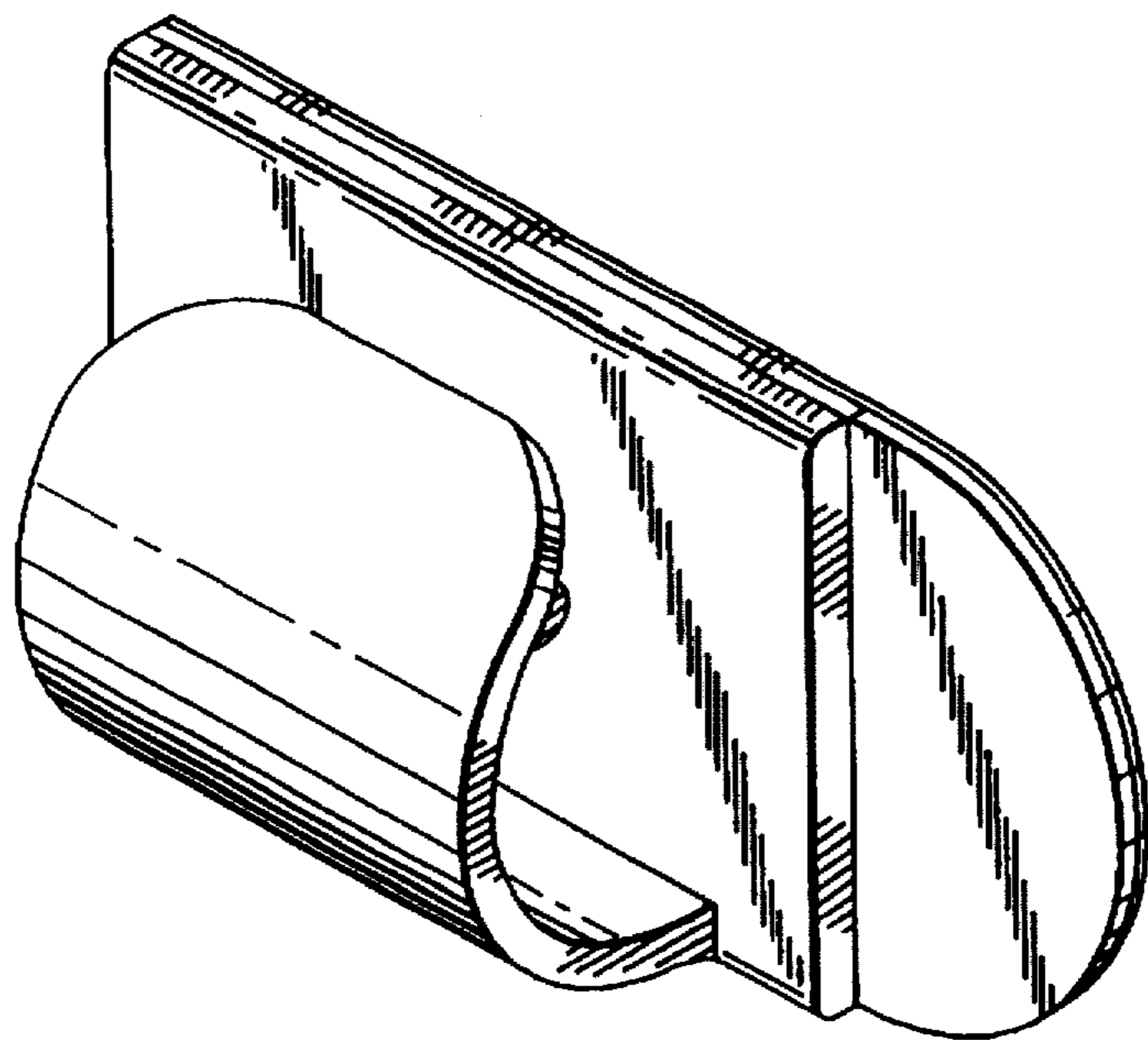


Fig. 8

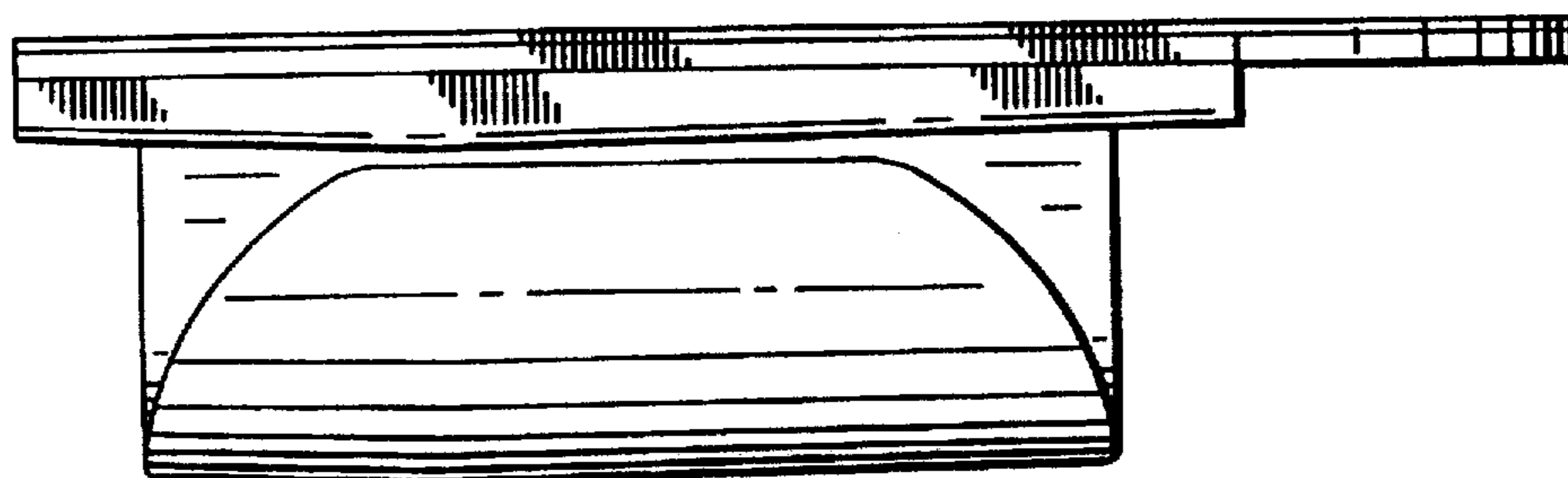


Fig. 9

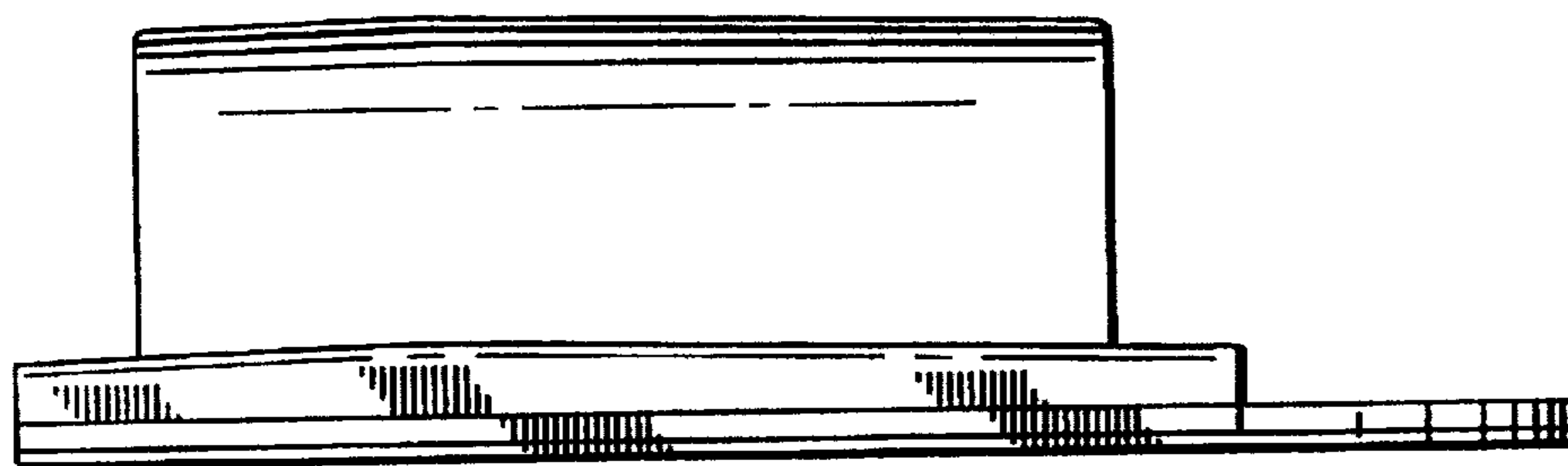


Fig. 10

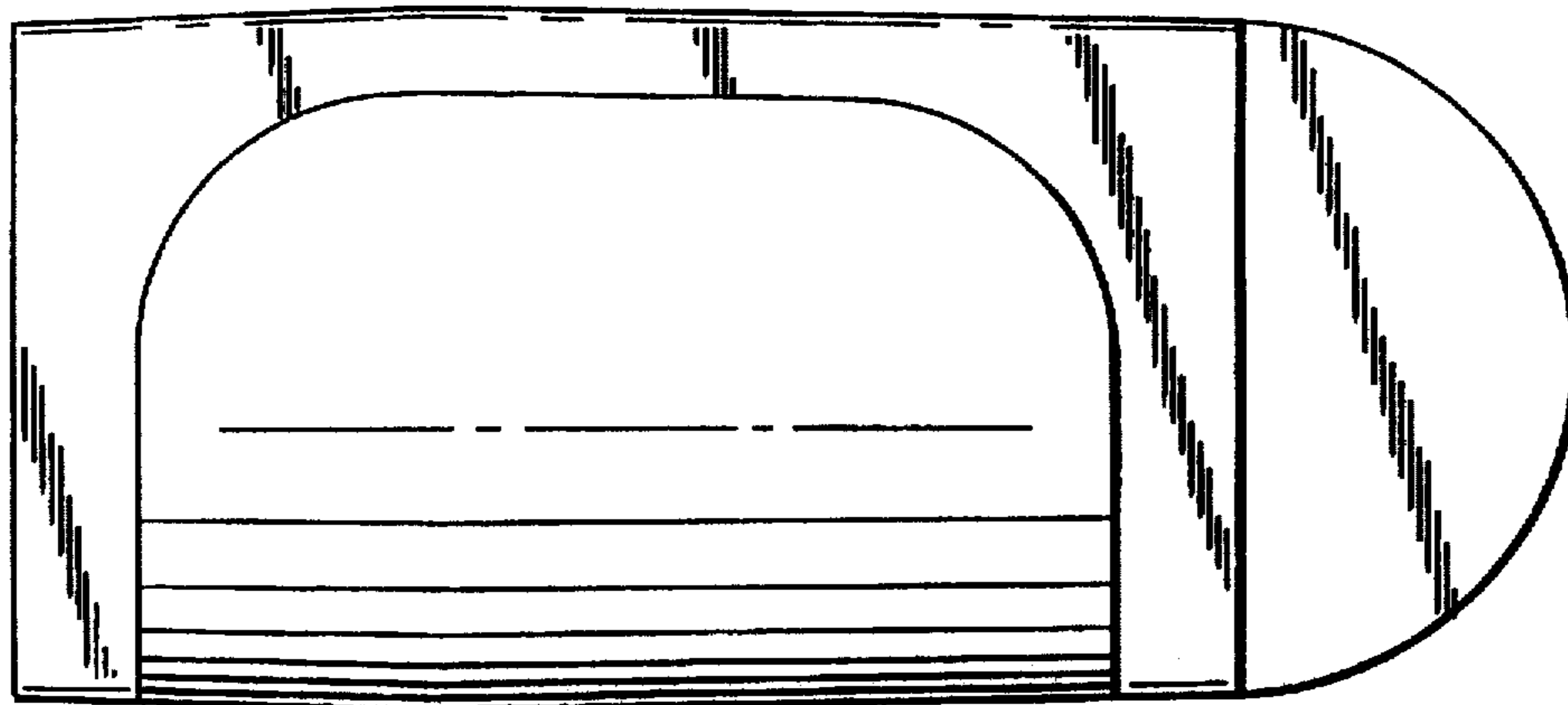


Fig. 11



Fig. 12

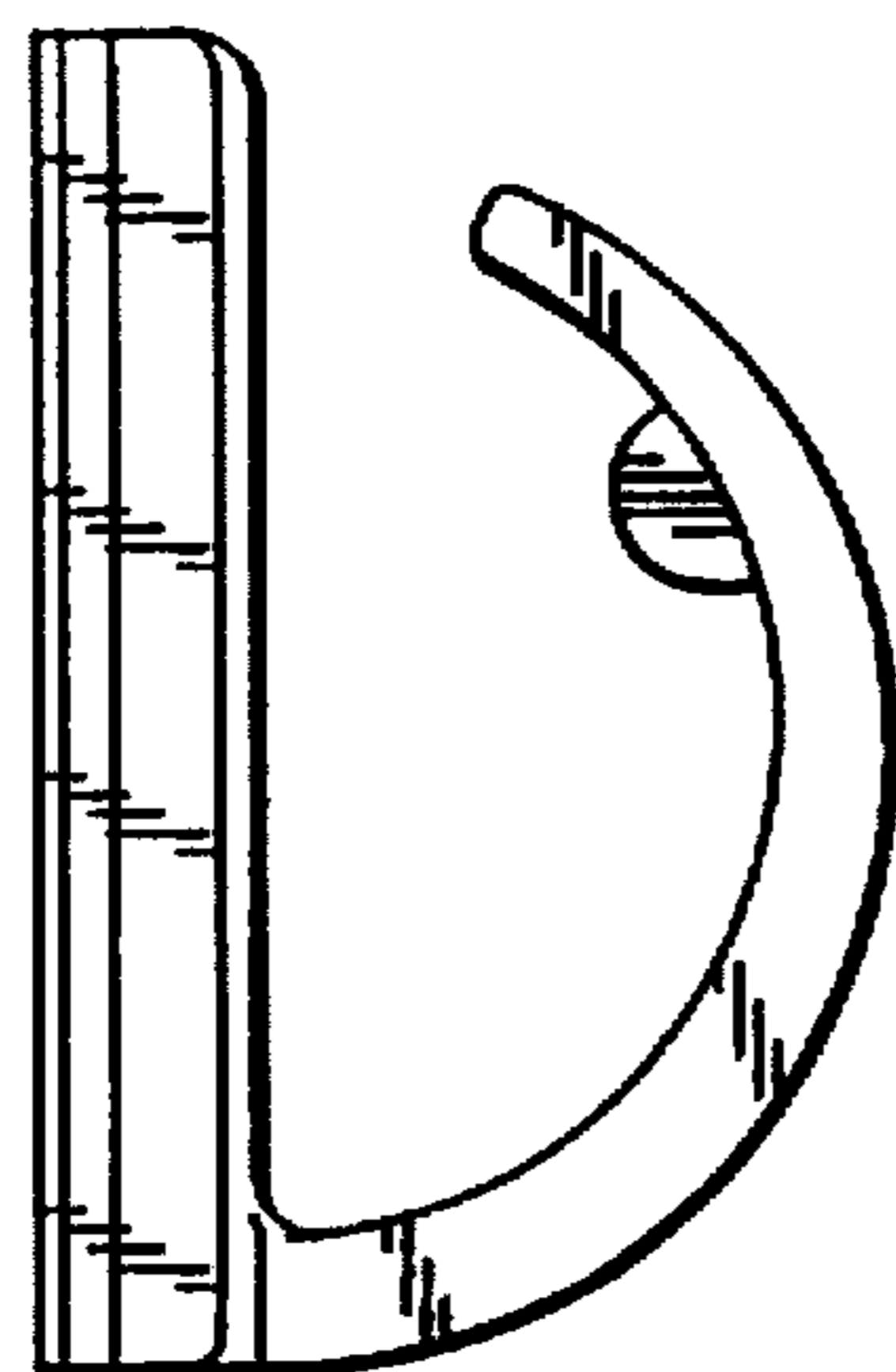


Fig. 13

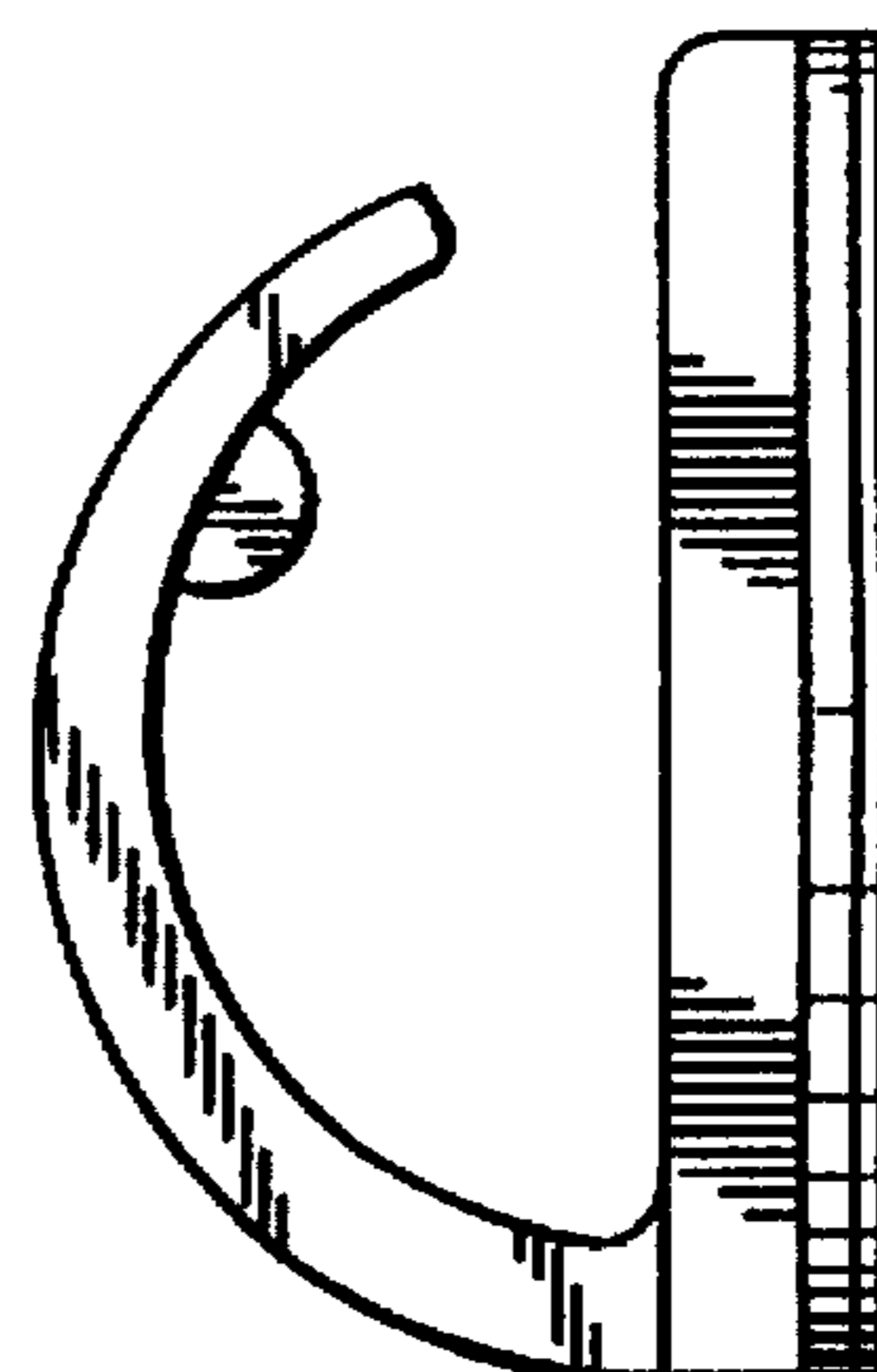


Fig. 14