



US00D390451S

United States Patent [19]

Dominguez

[11] Patent Number: Des. 390,451

[45] Date of Patent: **Feb. 10, 1998

[54] COLLAR SCREW

[75] Inventor: **Ramon Palau Dominguez**, Sabadell, Spain

[73] Assignee: **Mikalor, S.A.**, Sabadell, Spain

[**] Term: **14 Years**

[21] Appl. No.: **67,289**

[22] Filed: **Feb. 10, 1997**

[30] Foreign Application Priority Data

Aug. 13, 1996 [ES] Spain 138204

[51] LOC (6) Cl. **08-08**

[52] U.S. Cl. **D8/387**

[58] Field of Search 88/387; 24/20 LS, 24/279; 41/378, 404, 411, 423

[56] References Cited

U.S. PATENT DOCUMENTS

2,091,788	8/1937	McManus	441/411
2,993,124	2/1961	Ouimet	24/279
3,304,561	2/1967	Ellsworth	441/403
4,238,165	12/1980	Wagner	411/378
5,050,275	9/1991	Schroer et al.	24/279
5,560,087	10/1996	Marques	24/279

FOREIGN PATENT DOCUMENTS

20/6399 10/1971 Germany 411/403

OTHER PUBLICATIONS

Fastener Standards, 5th ed; p. A-29; Hex Flange Screw ©1970.

Primary Examiner—B. J. Bullock
Attorney, Agent, or Firm—Dennison, Meserole, Pollack & Scheiner

[57] CLAIM

The ornamental design for a collar screw, as shown and described.

DESCRIPTION

FIG. 1 is a front elevation view of a collar screw showing my new design;

FIG. 2 is a rear elevation view thereof;

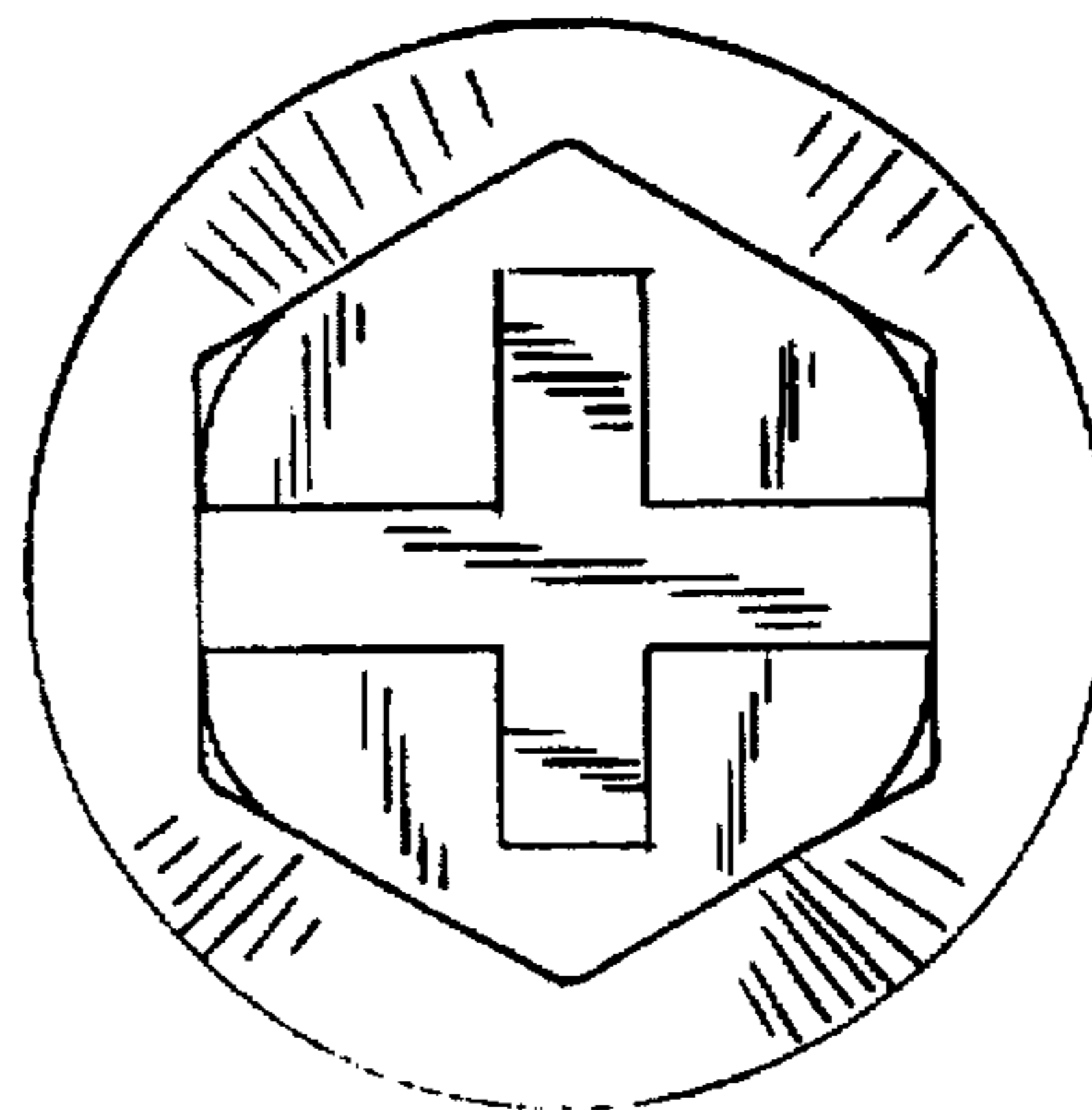
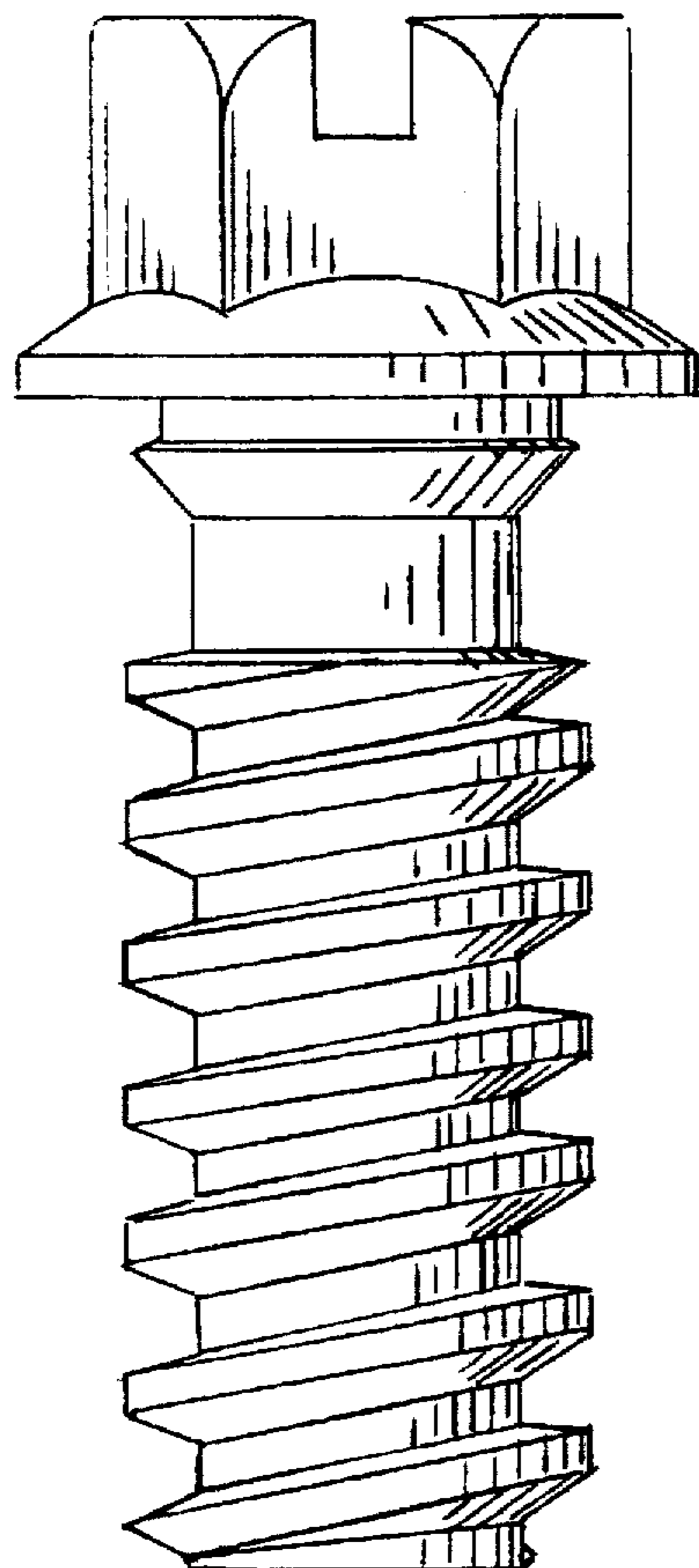
FIG. 3 is a right side view thereof;

FIG. 4 is a left side view thereof;

FIG. 5 is a top plan view thereof; and,

FIG. 6 is a bottom plan view thereof.

1 Claim, 2 Drawing Sheets



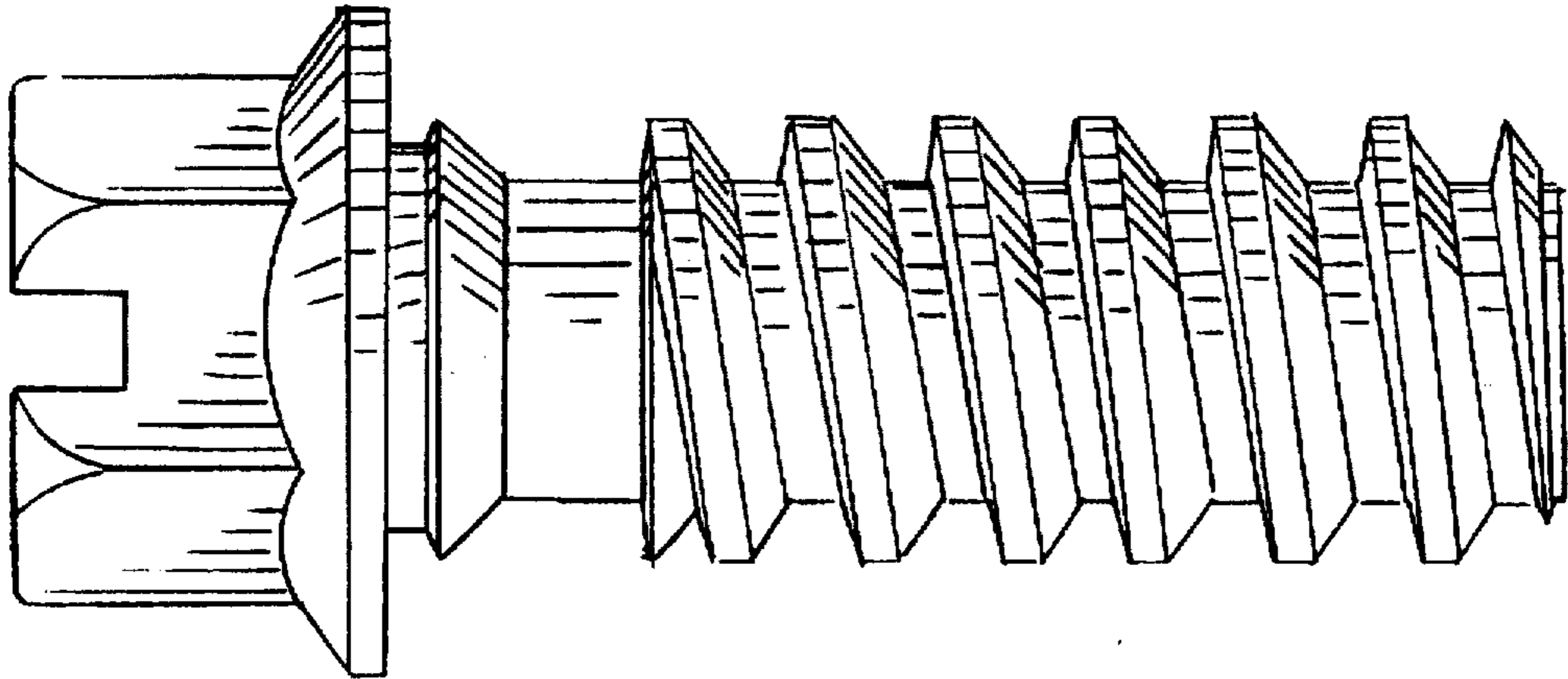


FIG. 1

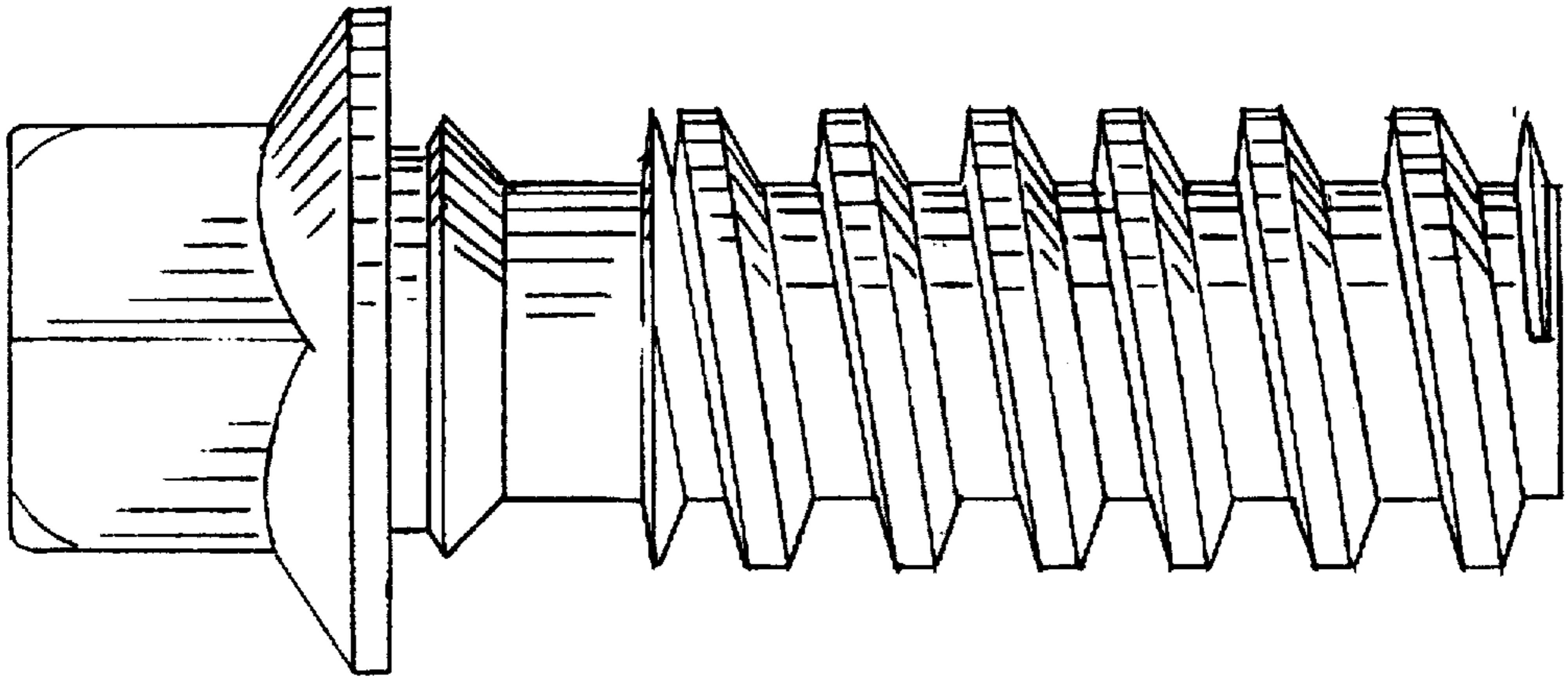


FIG. 2

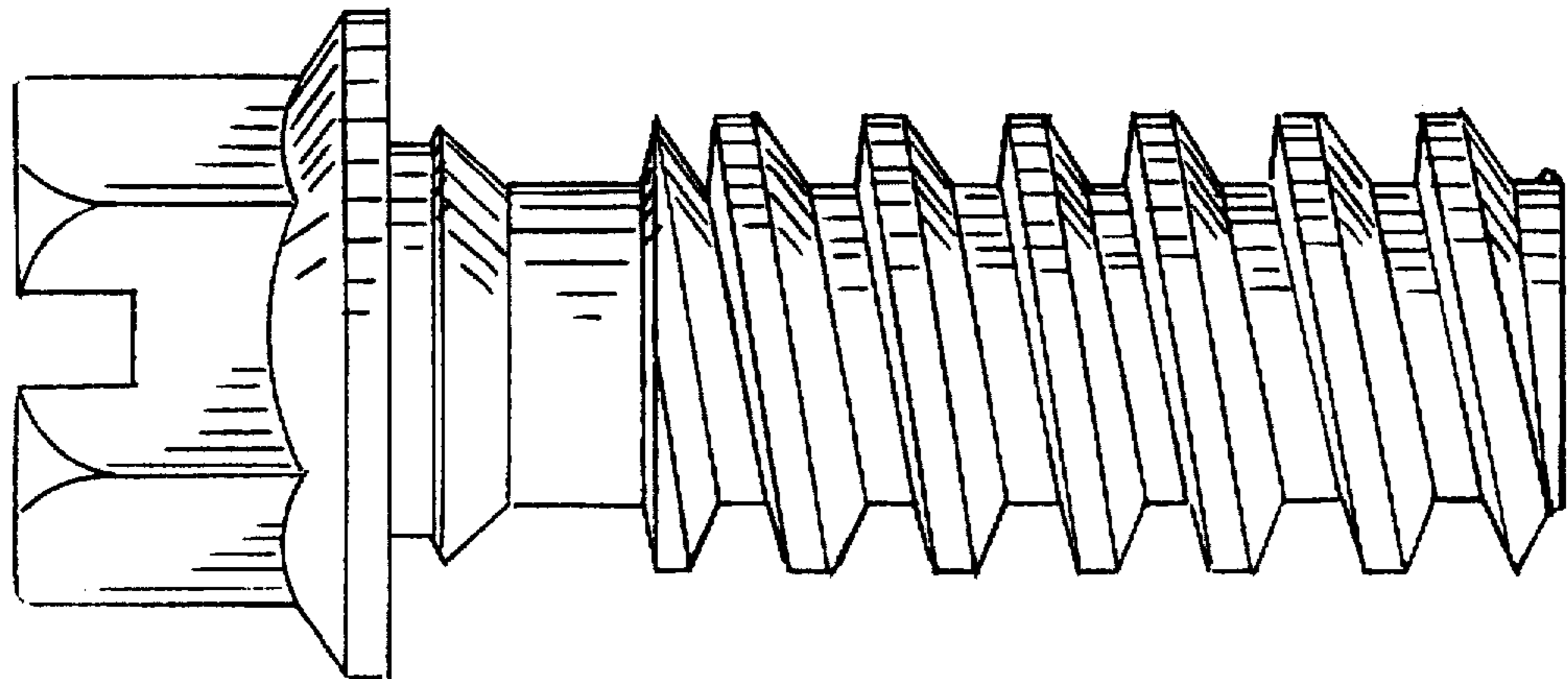


FIG. 3

