



US00D390450S

# United States Patent [19]

Rosen

[11] Patent Number: **Des. 390,450**

[45] Date of Patent: **\*\*Feb. 10, 1998**

## [54] MONITOR MOUNT

[75] Inventor: **John B. Rosen**, Eugene, Oreg.

[73] Assignee: **Advanced Multimedia Products Corporation**, Eugene, Oreg.

[\*\*] Term: **14 Years**

[21] Appl. No.: **67,808**

[22] Filed: **Mar. 14, 1997**

[51] LOC (6) Cl. .... **08-05**

[52] U.S. Cl. .... **D8/380; D14/114; D14/132; D14/239**

[58] Field of Search ..... **D14/114, 239, D14/132, 299; D8/380; D12/345, 415; D24/158; 248/917-924, 298.1; 108/137, 139, 143**

## [56] References Cited

### U.S. PATENT DOCUMENTS

D. 261,836	11/1981	Eisenberg	.....	D14/239
D. 314,505	2/1991	Whitaker	.....	D8/380
1,220,578	3/1917	Wise	.....	108/139
3,785,300	1/1974	Anderson	.....	108/44
4,611,734	9/1986	Luecking et al.	.....	108/44
5,106,003	4/1992	Ma	.....	108/44

*Primary Examiner*—Ted Shooman  
*Assistant Examiner*—Richelle Shelton  
*Attorney, Agent, or Firm*—Kolisch, Hartwell, Dickinson, McCormack & Heuser

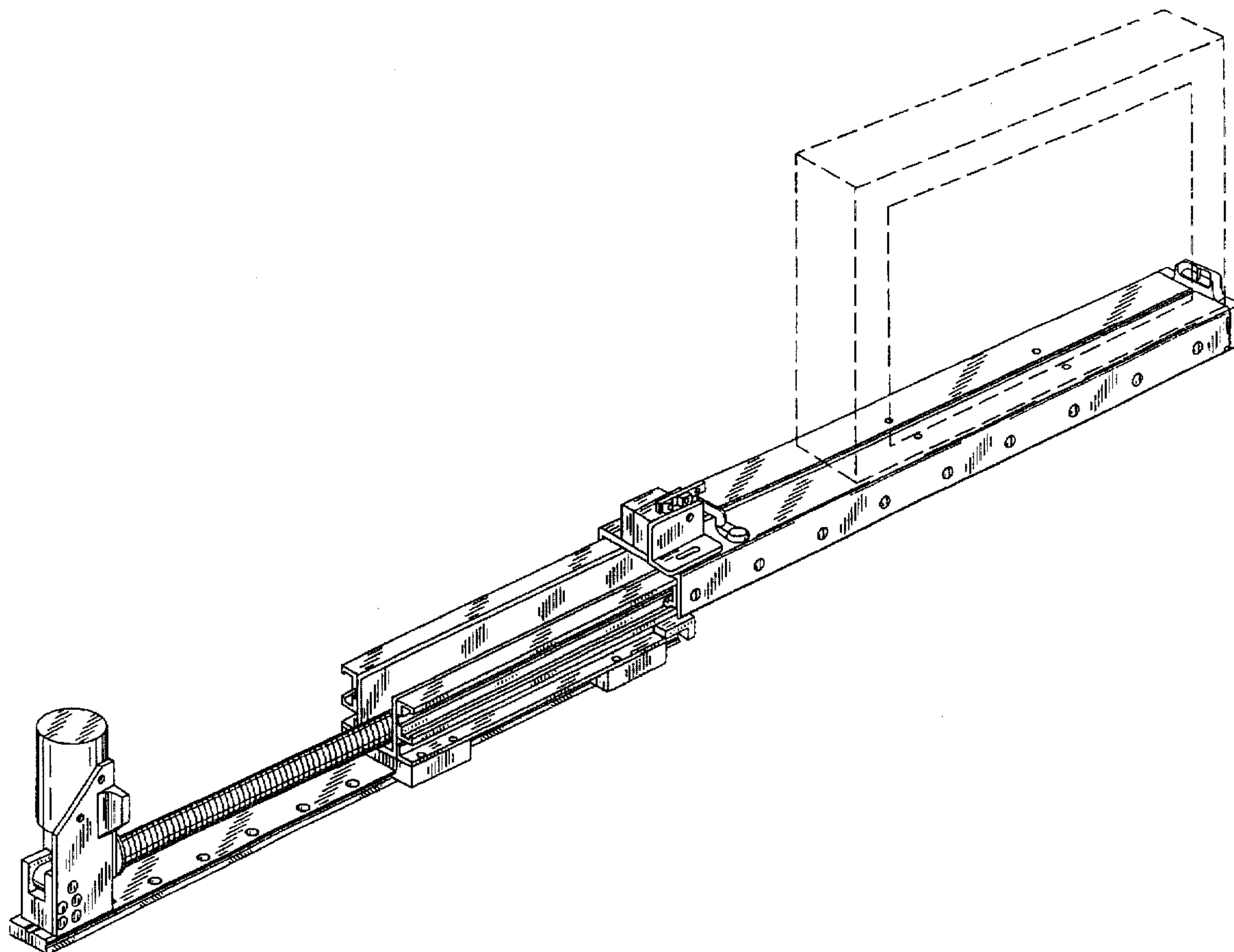
## [57] CLAIM

The ornamental design for a monitor mount, as shown and described.

## DESCRIPTION

FIG. 1 is an isometric view of a monitor mount constructed in accordance with a preferred embodiment of the invention, the monitor mount being shown in a retracted orientation with a monitor in dashed lines for illustrative purposes only and forming no part of the claimed design; FIG. 2 is an isometric view thereof, with the monitor mount in an extended position; FIG. 3 is a left-side view of the monitor mount; FIG. 4 is a right-side view thereof; FIG. 5 is a top view of the monitor mount while in the retracted orientation; FIG. 6 is a front elevational view of the monitor mount while in the retracted orientation; FIG. 7 is a bottom view of the monitor mount while in the retracted orientation; and, FIG. 8 is a rear view of the monitor mount while in the retracted orientation.

**1 Claim, 2 Drawing Sheets**



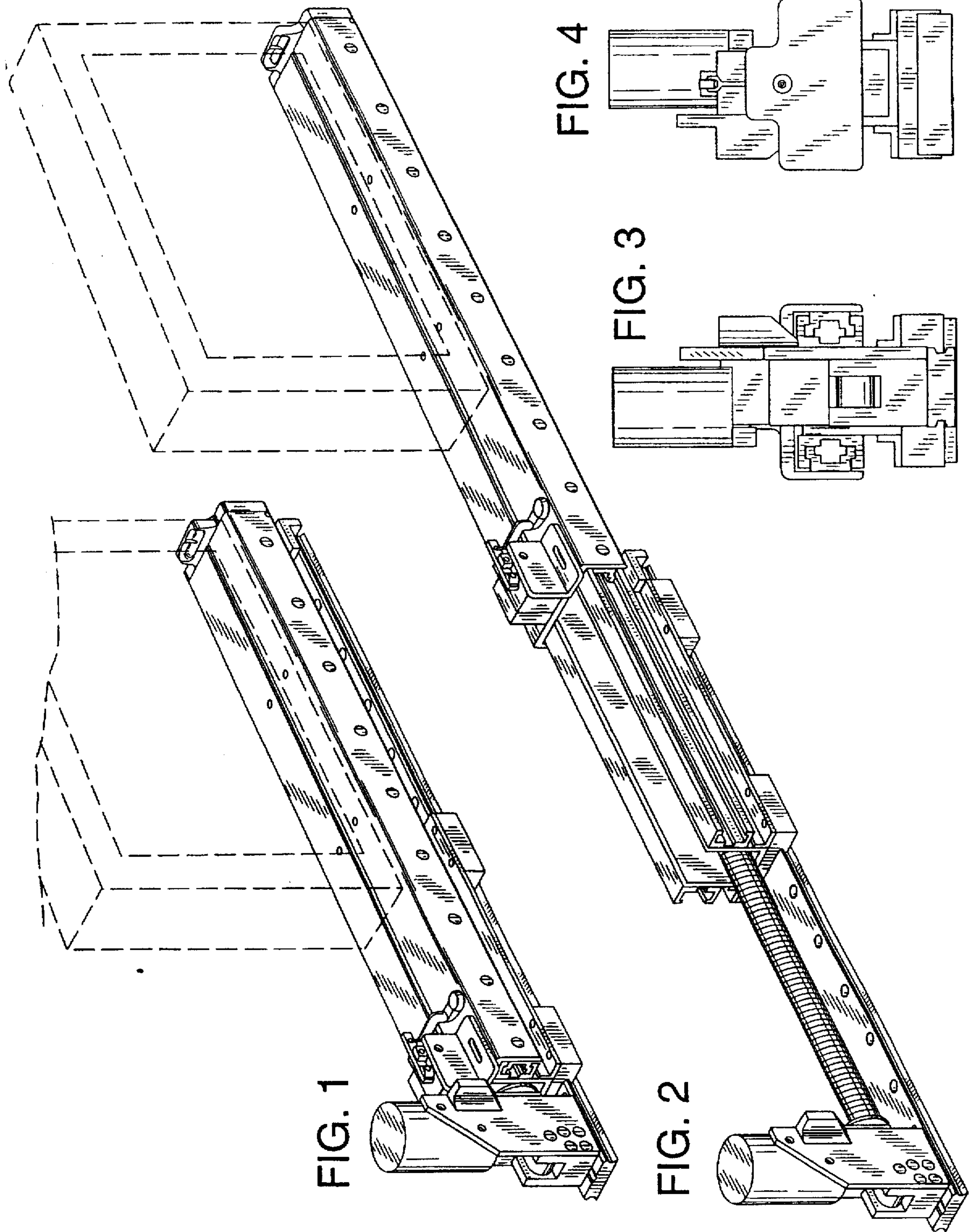


FIG. 1

FIG. 2

FIG. 4

FIG. 3

FIG. 5

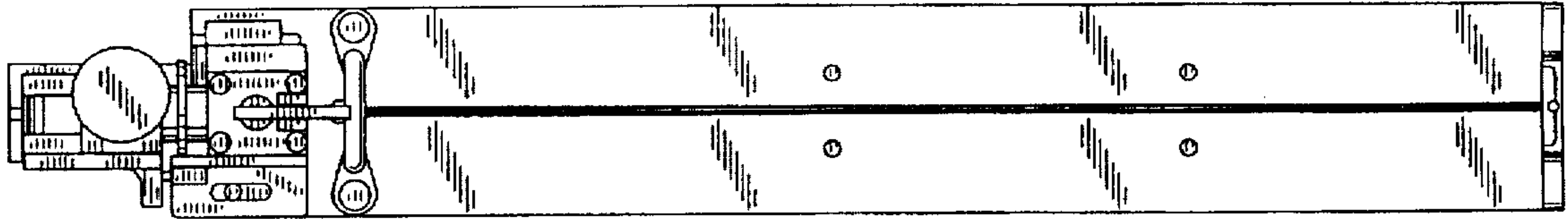


FIG. 6

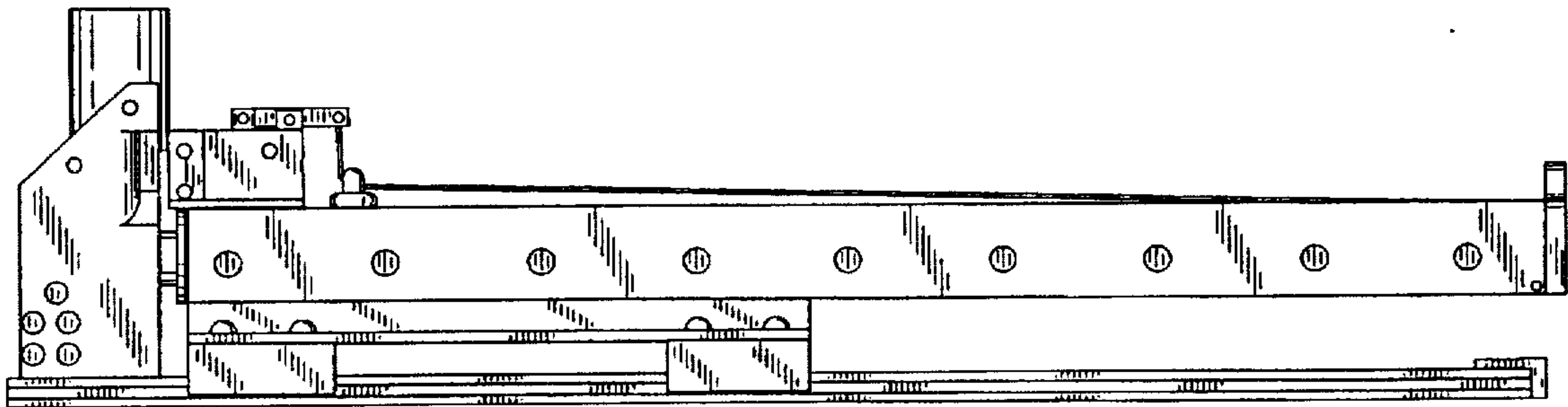


FIG. 7

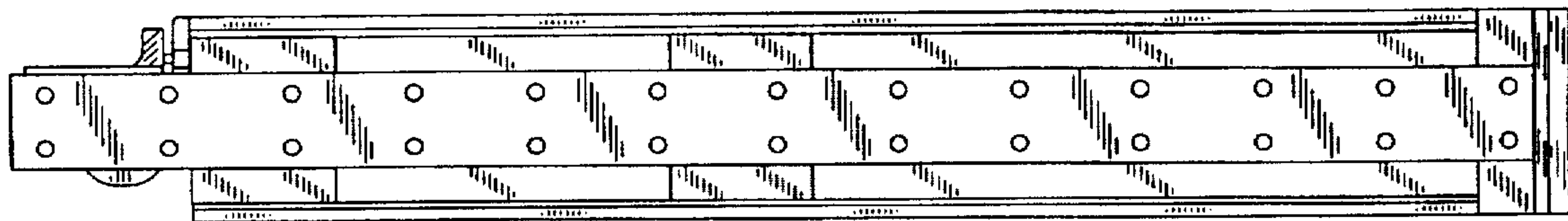


FIG. 8

