

US00D390449S

United States Patent [19]
Whitehead et al.

[11] **Patent Number: Des. 390,449**
[45] **Date of Patent: **Feb. 10, 1998**

- [54] **WALL-MOUNTED HOSE REEL WITH IMPROVED HOSE GUIDE**
- [75] Inventors: **Stephen P. Whitehead, Elgin; Michael R. Vogler, Aurora, both of Ill.**
- [73] Assignee: **Suncast Corporation, Batavia, Ill.**
- [**] Term: **14 Years**
- [21] Appl. No.: **60,589**
- [22] Filed: **Oct. 1, 1996**
- [51] **LOC (6) Cl. 08-05**
- [52] **U.S. Cl. D8/359**
- [58] **Field of Search D8/359; 137/355.27; 242/395, 403.1, 407, 605, 118.6**

[56] **References Cited**
U.S. PATENT DOCUMENTS

D. 211,531	6/1968	Elmslie	D8/359
D. 294,455	3/1988	Nelson	D8/359
D. 341,770	11/1993	Spear et al.	D8/359
D. 351,333	10/1994	Nelson et al.	D8/359
D. 355,584	2/1995	Clivio	D8/359

OTHER PUBLICATIONS

Suncast Hose Reel Catalog, p. 5, hose reel, item A in center of page Aug. 1995.

Primary Examiner—Holly Baynham
Attorney, Agent, or Firm—McHale & Slavin

[57] **CLAIM**

The ornamental design for a wall-mounted hose reel with improved hose guide, as shown and described.

DESCRIPTION

FIG. 1 is a perspective view of the wall-mounted hose reel with improved hose guide;
 FIG. 2 is a front plane view thereof;
 FIG. 3 is a right side view;
 FIG. 4 is a top plane view;
 FIG. 5 is a left side view forming a mirror image of said right side view;
 FIG. 6 is a back view; and,
 FIG. 7 is a bottom plane view.

1 Claim, 4 Drawing Sheets

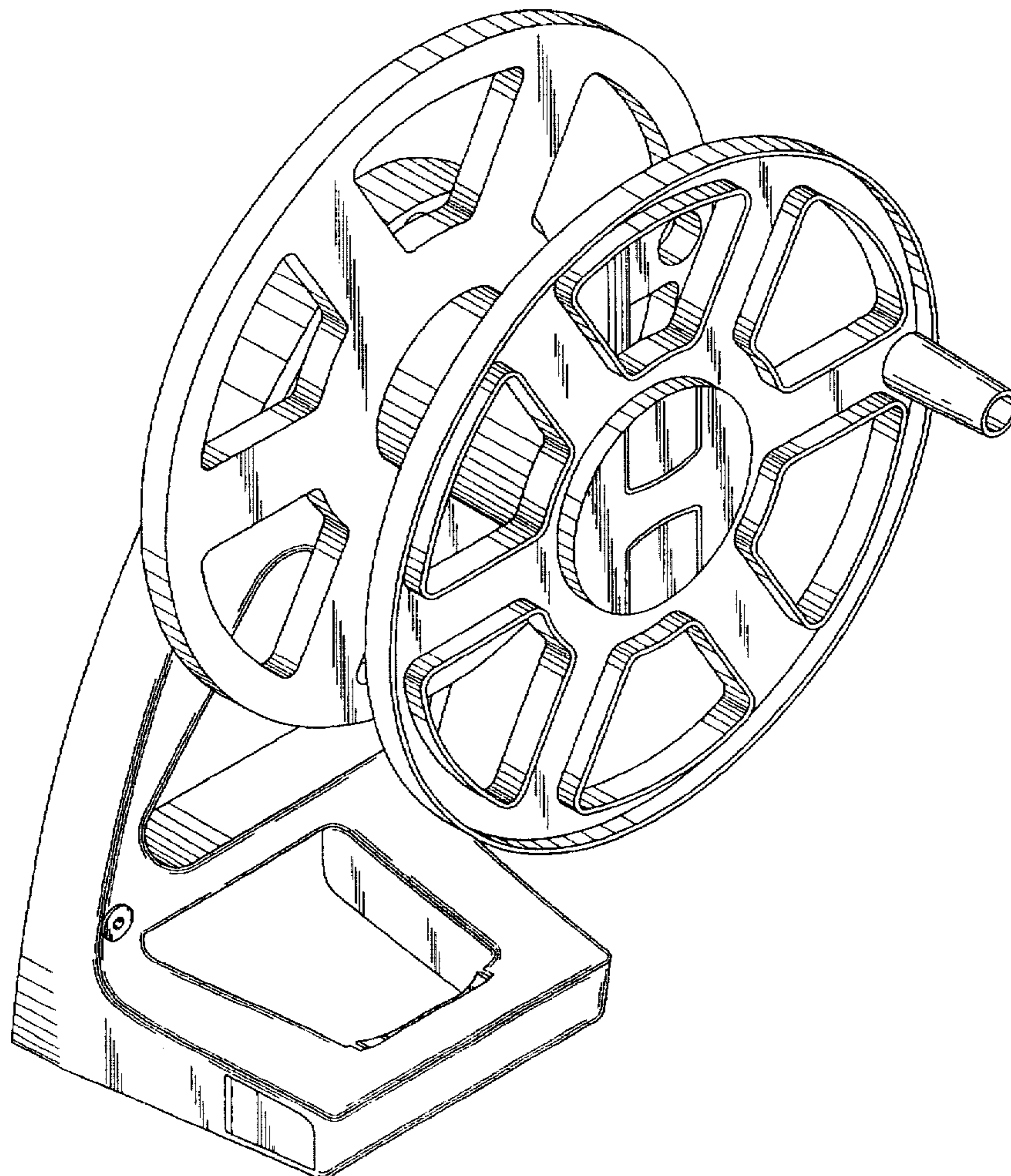


FIG. 1

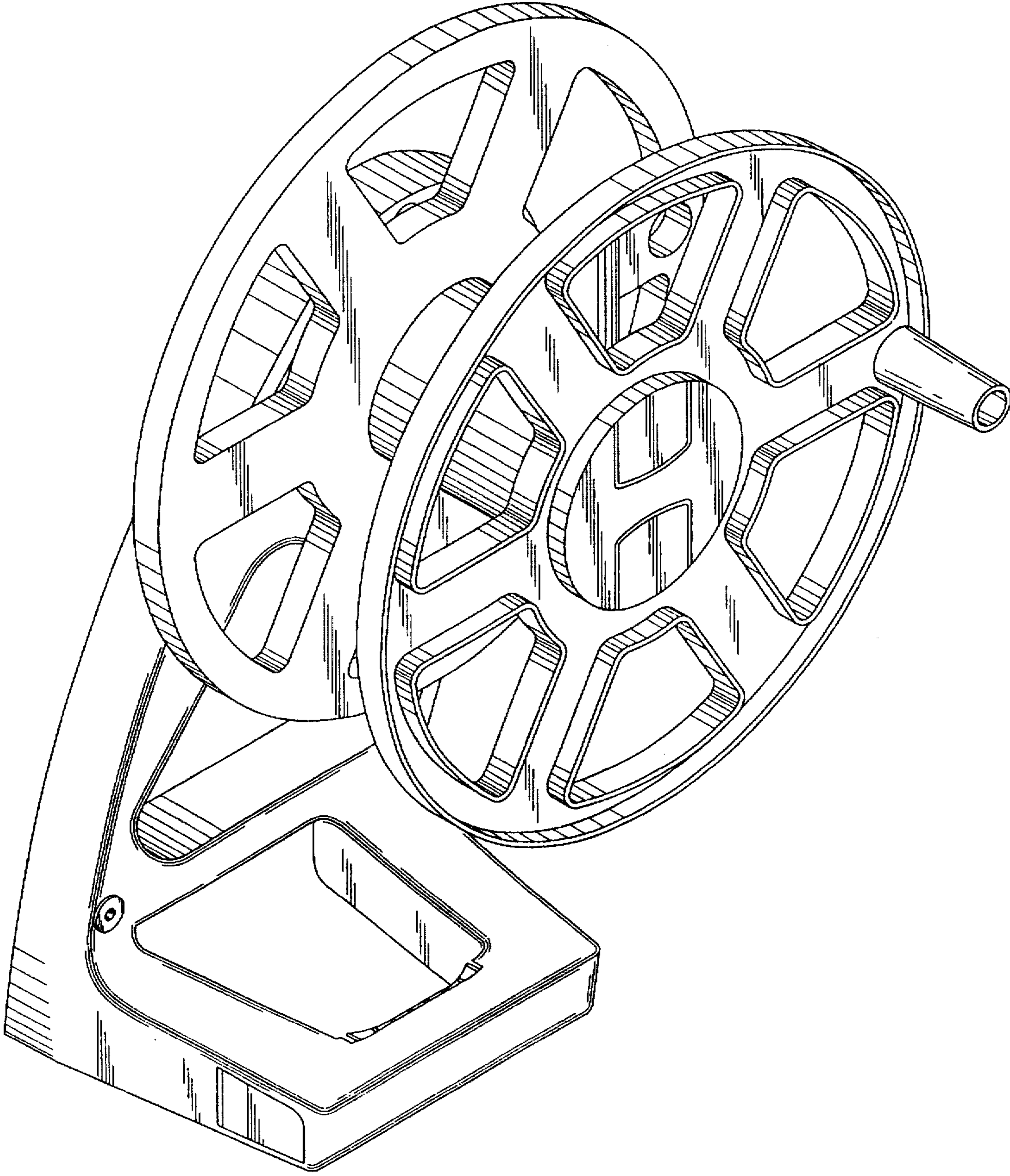


FIG. 4

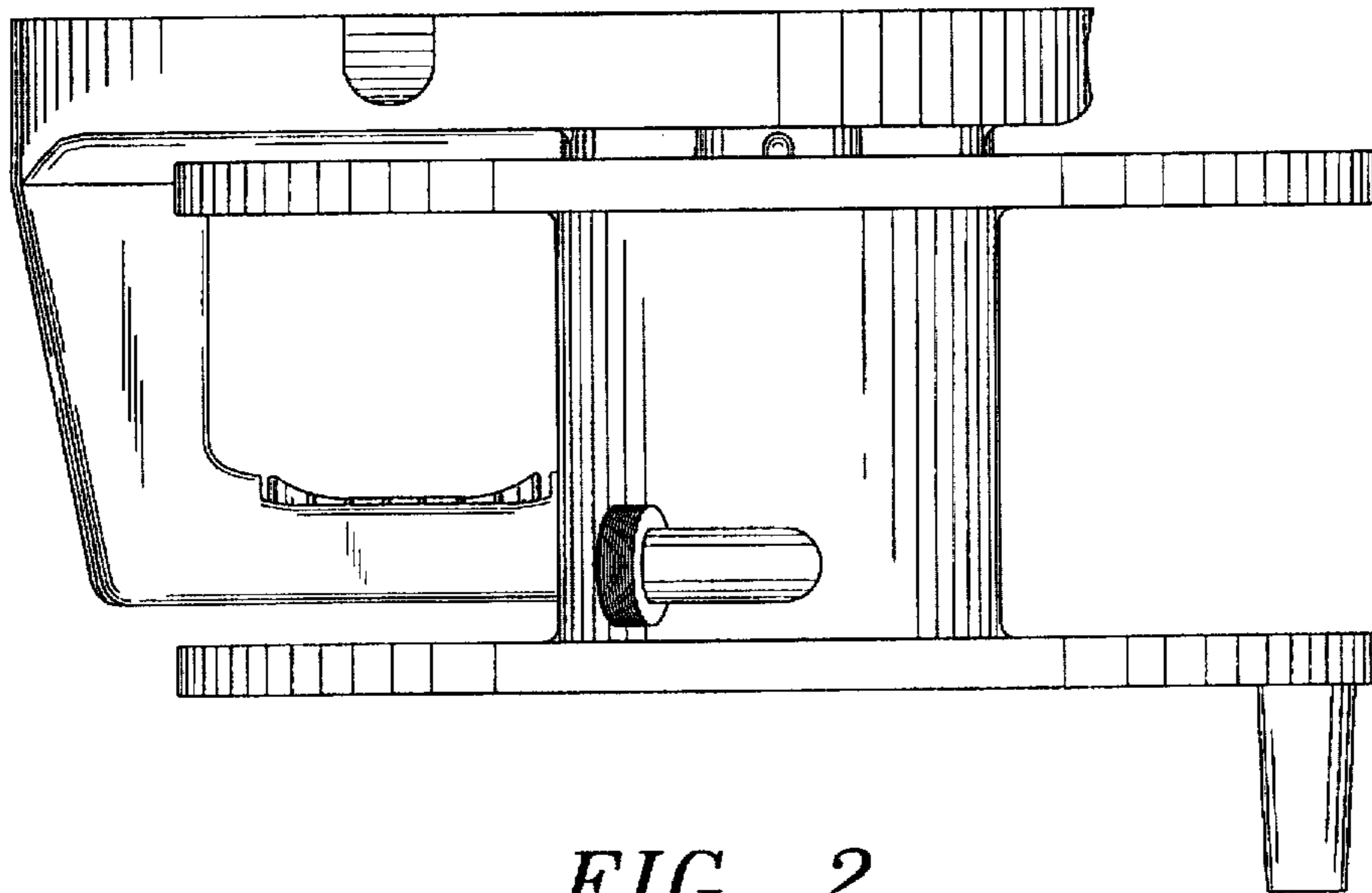


FIG. 2

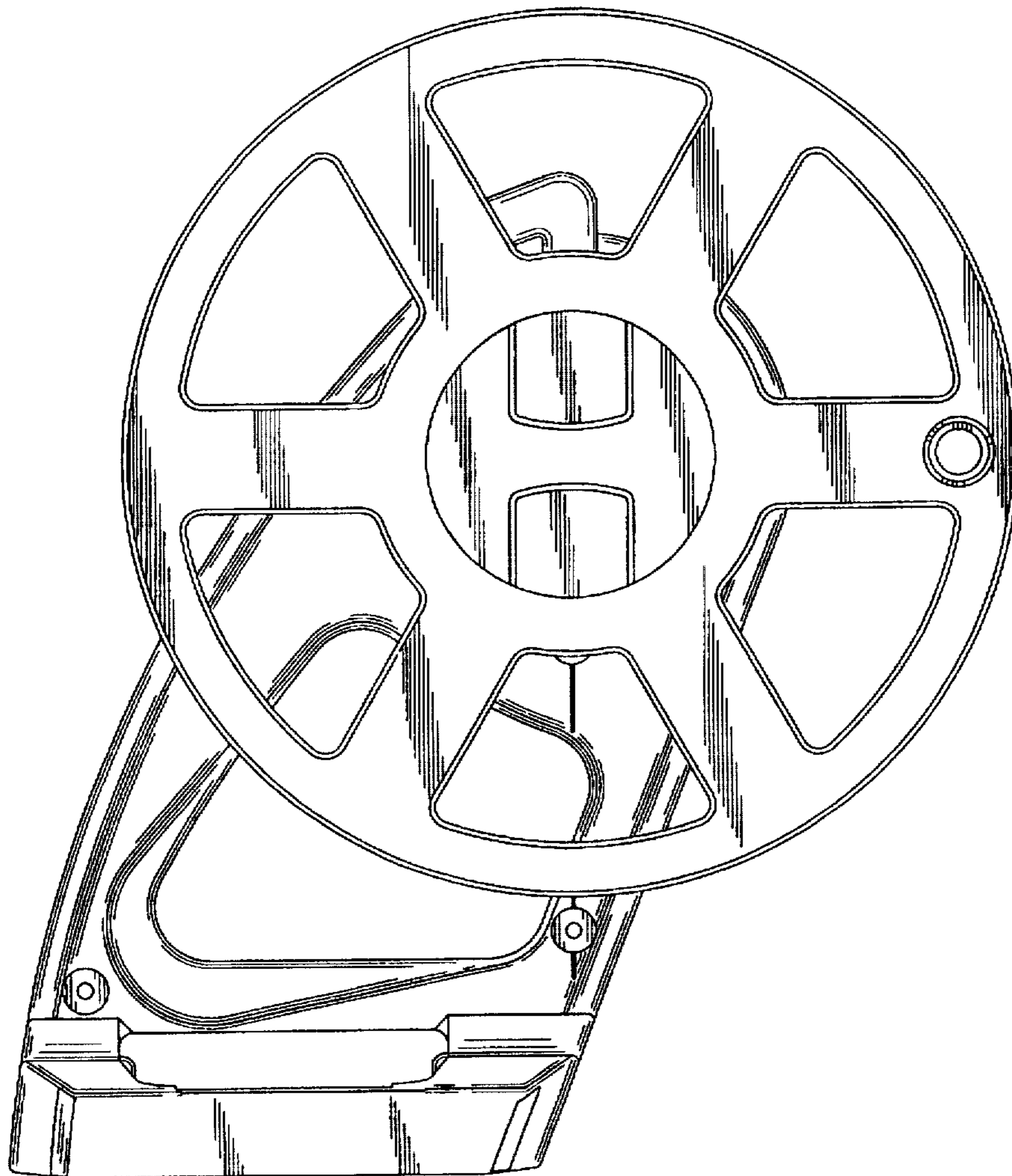


FIG. 5

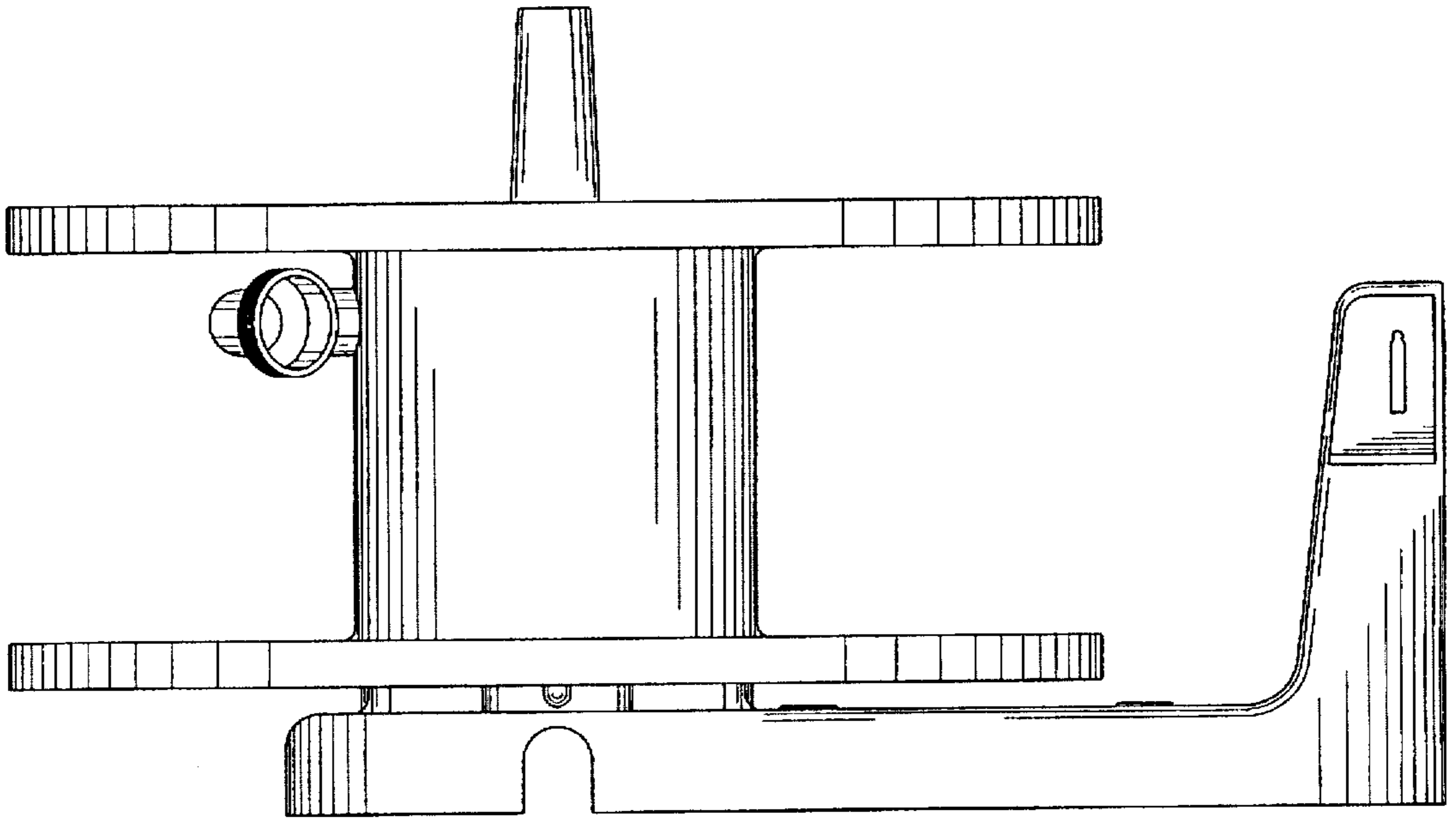


FIG. 3

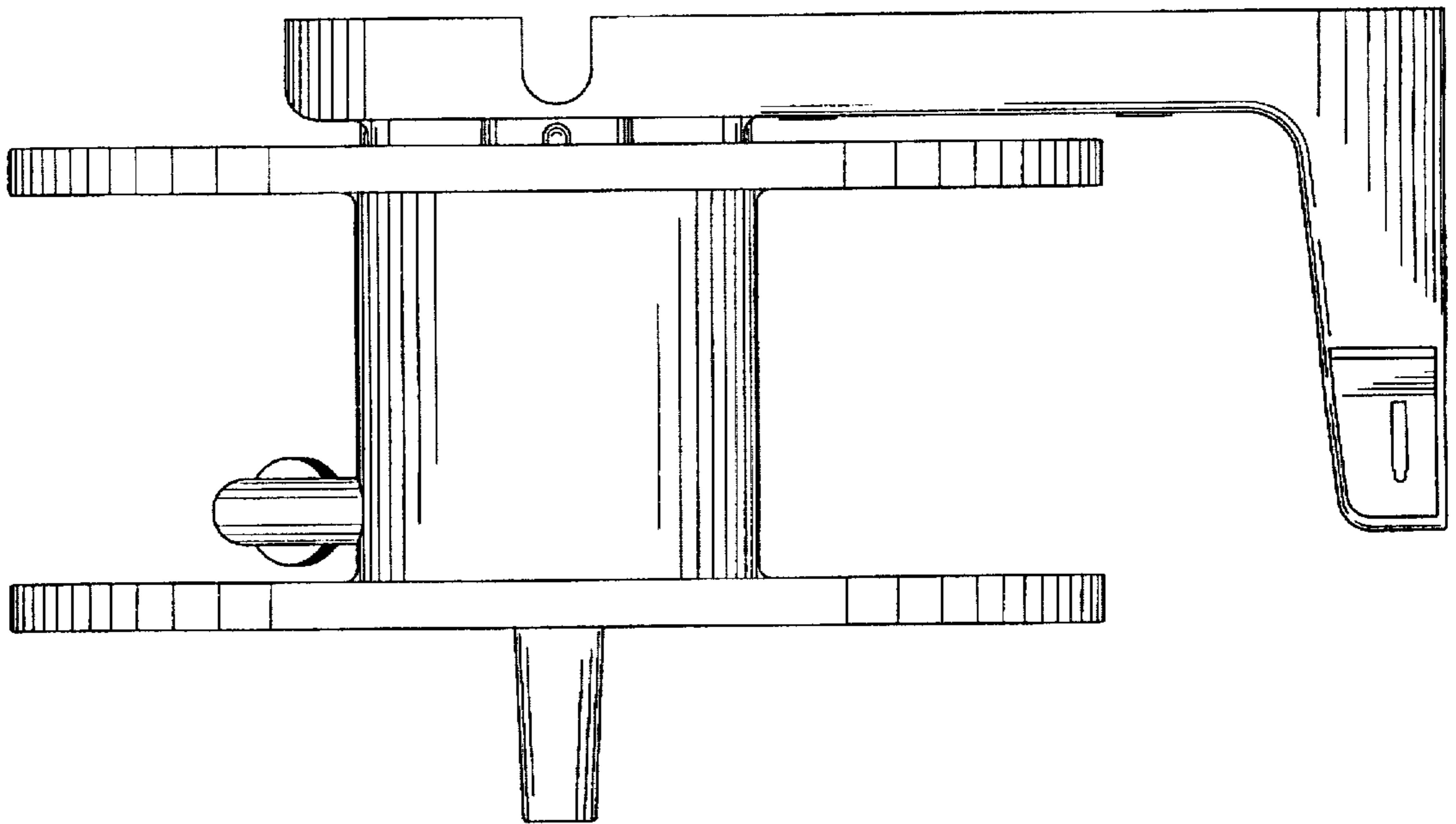


FIG. 6

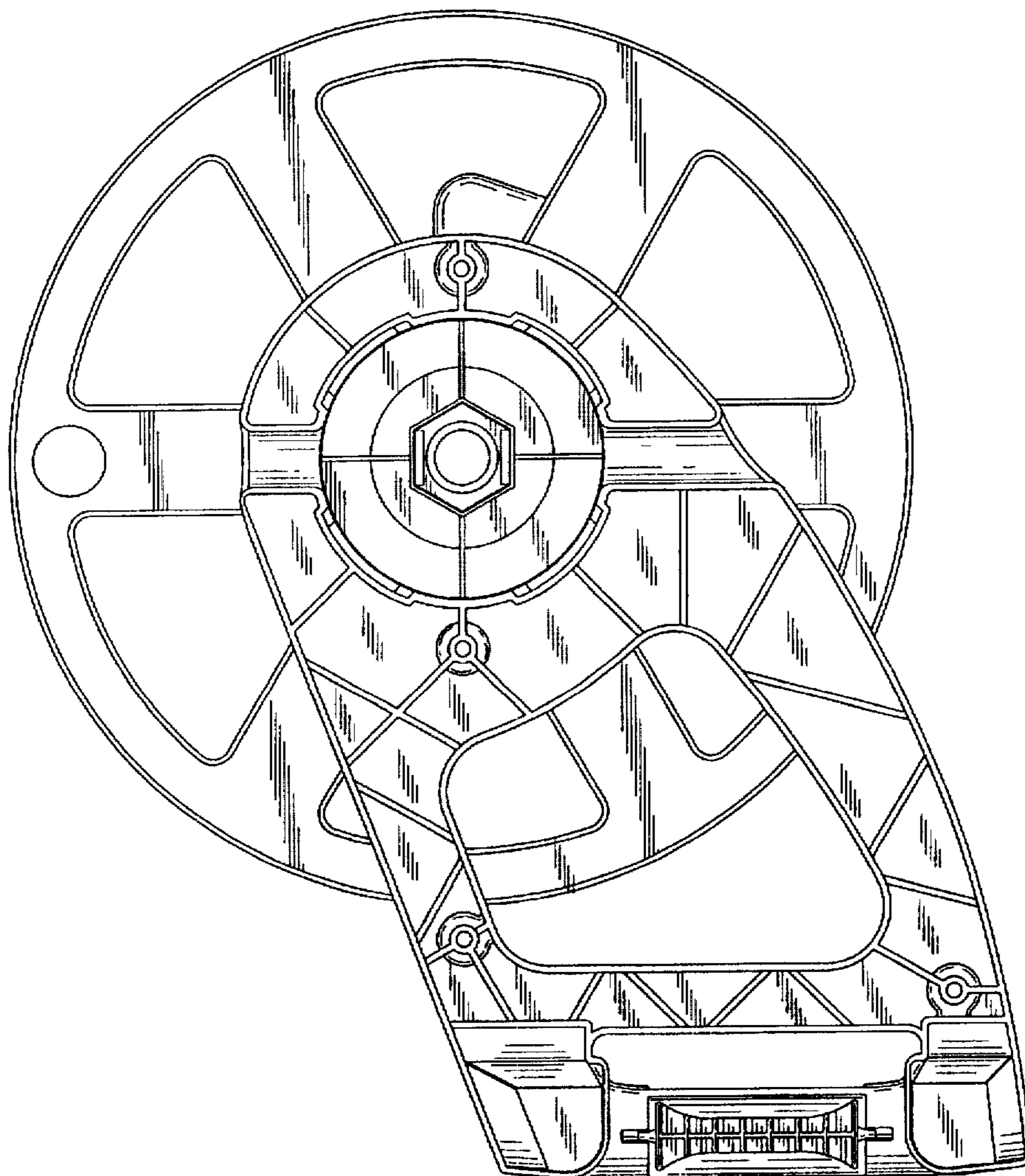


FIG. 7

