



US00D390448S

# United States Patent [19]

[11] Patent Number: **Des. 390,448**

Bries et al.

[45] Date of Patent: **\*\*Feb. 10, 1998**

[54] **WIRE RETAINING CLIP**

D. 348,386 7/1994 Cogburn ..... D8/373  
D. 361,930 9/1995 Fillipp et al. .... D8/373 X

[75] Inventors: **James L. Bries**, Cottage Grove;  
**Johannes N. Gaston**; **Douglas J. VanOrnum**, both of Minnetonka; **Paul E. Raber**, North St. Paul; **Pauline A. Pieper**, St. Paul, all of Minn.

*Primary Examiner*—Holly Baynham  
*Attorney, Agent, or Firm*—William L. Huebsch

[73] Assignee: **Minnesota Mining and Manufacturing Company**, St. Paul, Minn.

[57] **CLAIM**

The ornamental design for a wire retaining clip, as shown and described.

[\*\*] Term: **14 Years**

**DESCRIPTION**

[21] Appl. No.: **67,472**

FIG. 1 is a top, right, front isometric view of a wire retaining clip, showing our new design;

[22] Filed: **Mar. 5, 1997**

FIG. 2 is a front elevational view thereof;

[51] LOC (6) Cl. .... **08-05**

FIG. 3 is a rear elevational view thereof;

[52] U.S. Cl. .... **D8/356**

FIG. 4 is a top view thereof;

[58] Field of Search ..... D8/367, 373, 356,  
D8/382; D6/323; 248/301, 304, 156

FIG. 5 is a bottom plan view thereof; and,

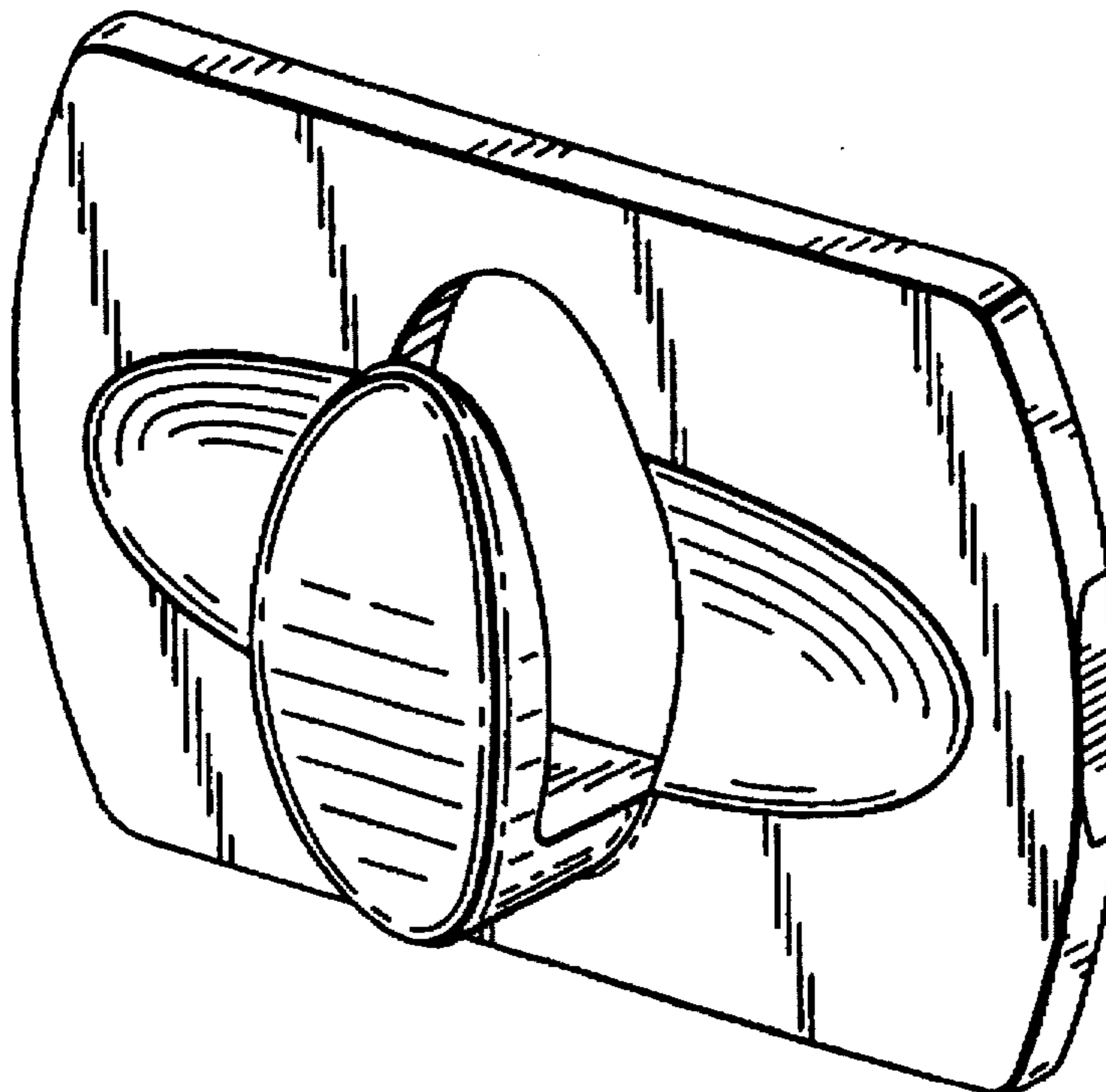
FIG. 6 is a right side elevational view thereof; the left side elevational view being a mirror image thereof.

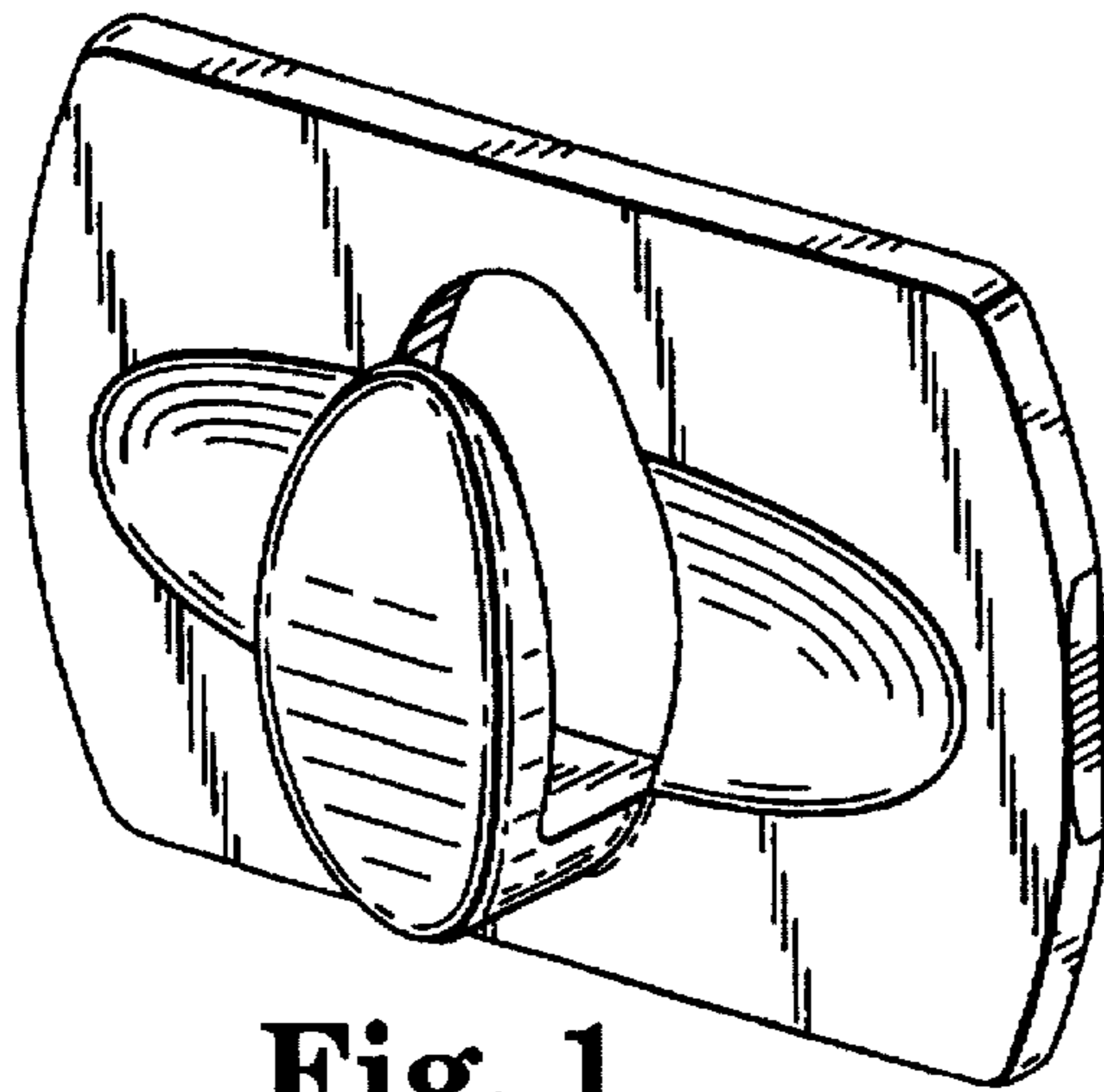
[56] **References Cited**

**U.S. PATENT DOCUMENTS**

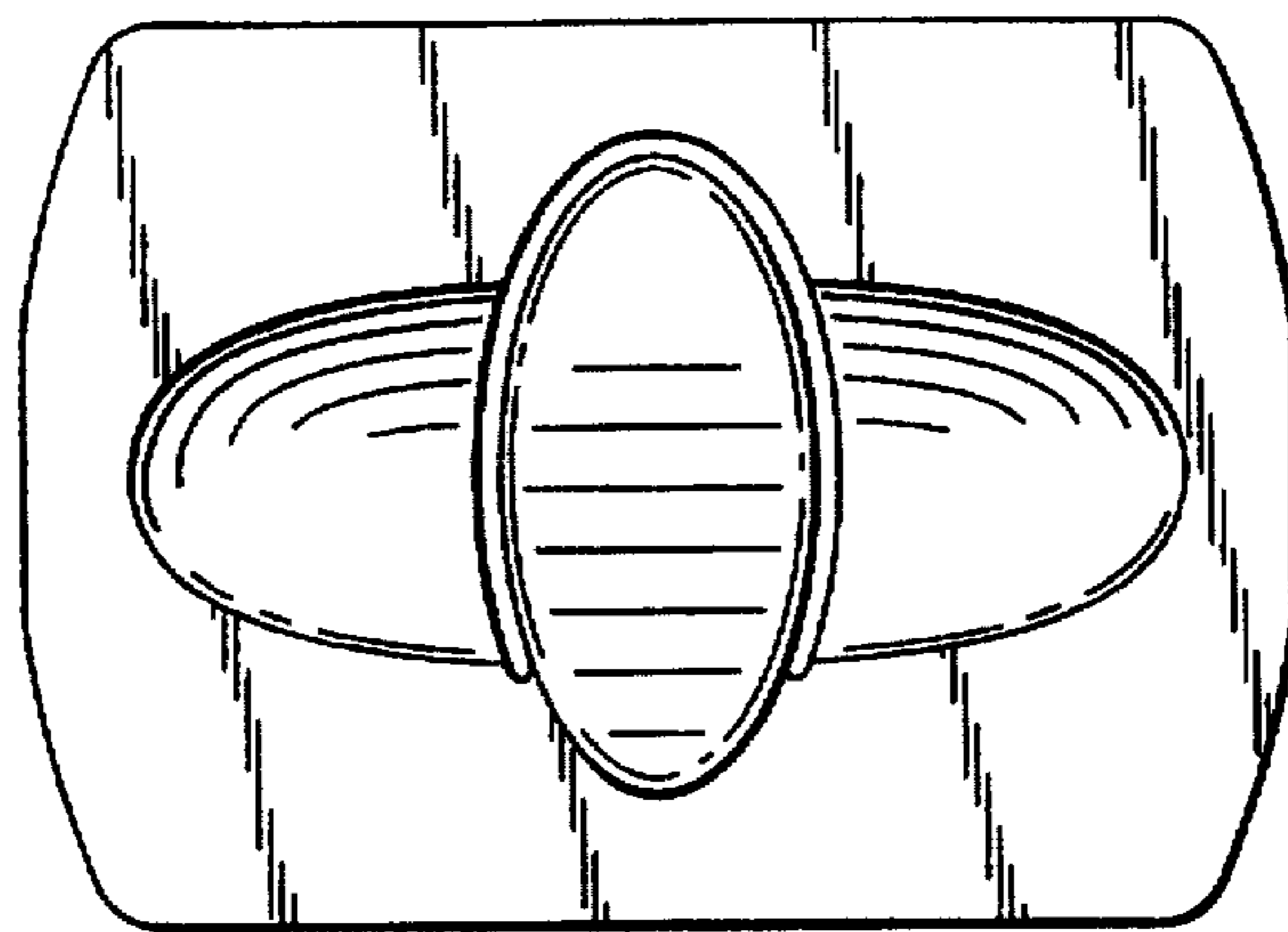
D. 339,058 9/1993 Greenhut et al. .... D8/367

**1 Claim, 2 Drawing Sheets**

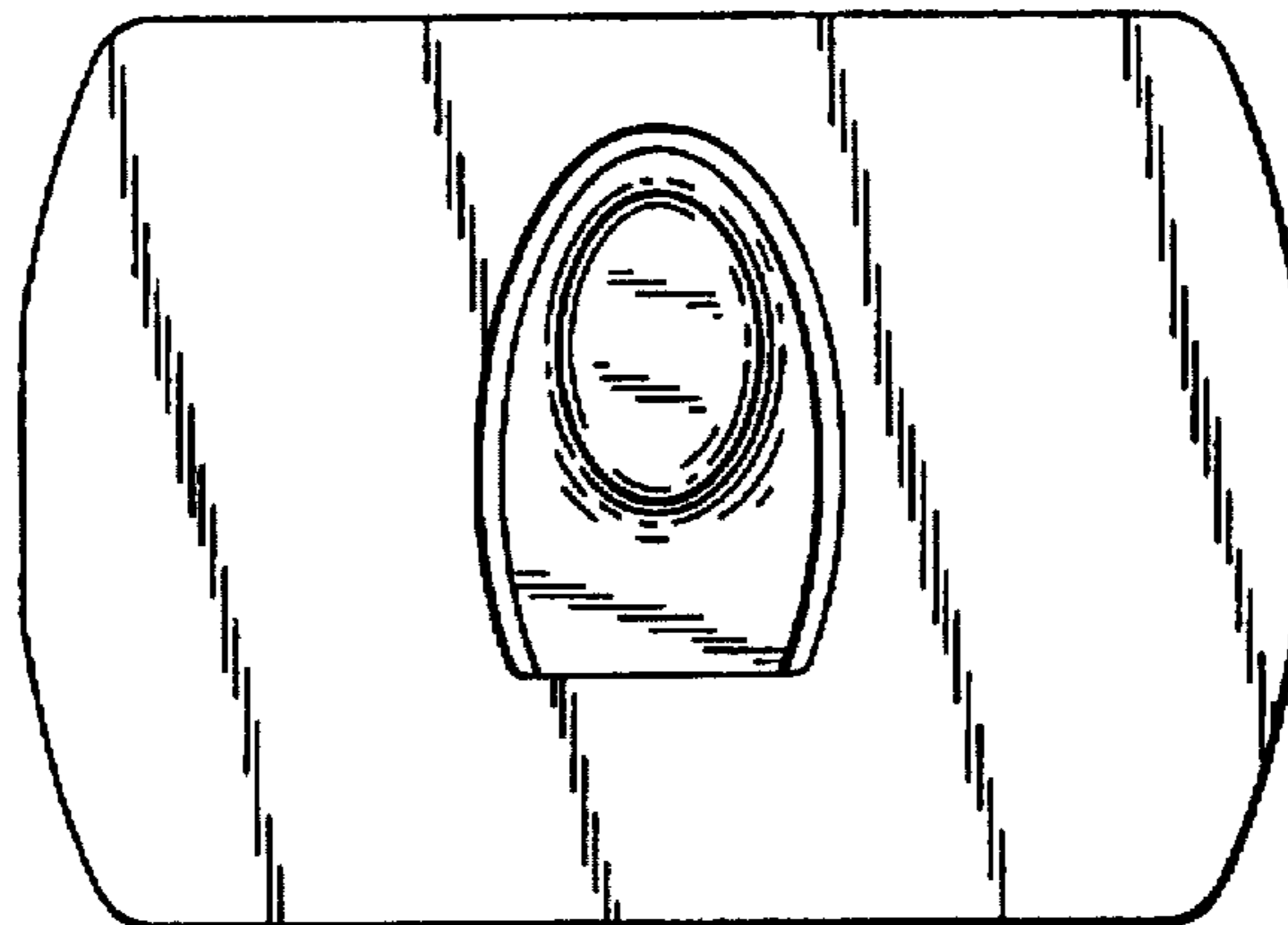




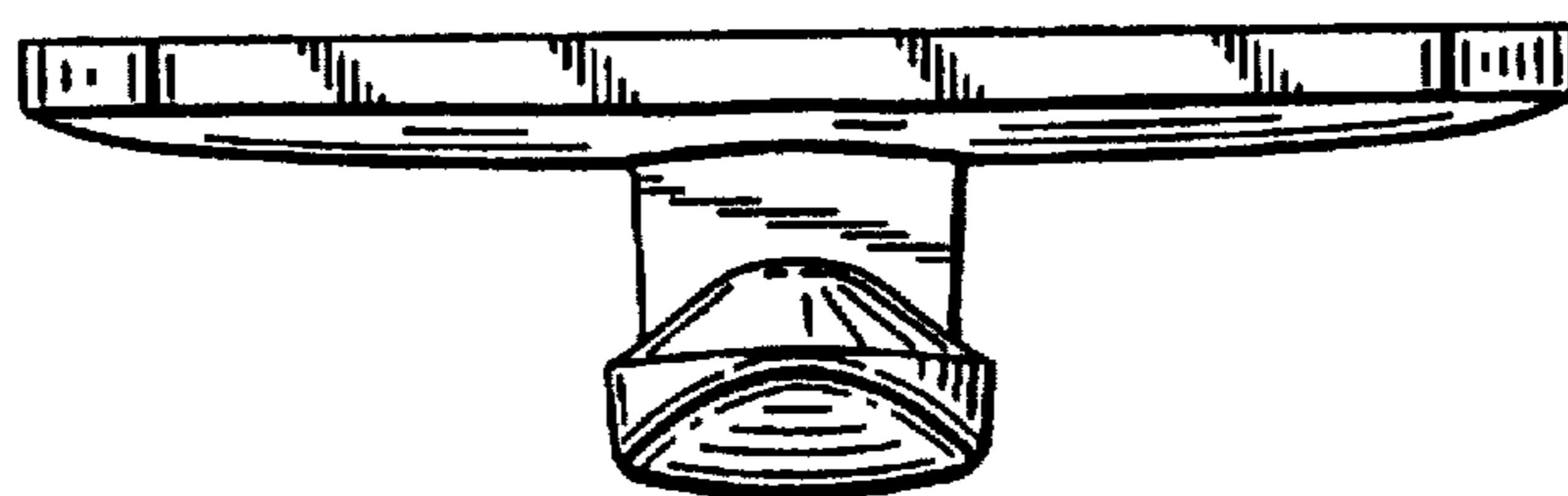
**Fig. 1**



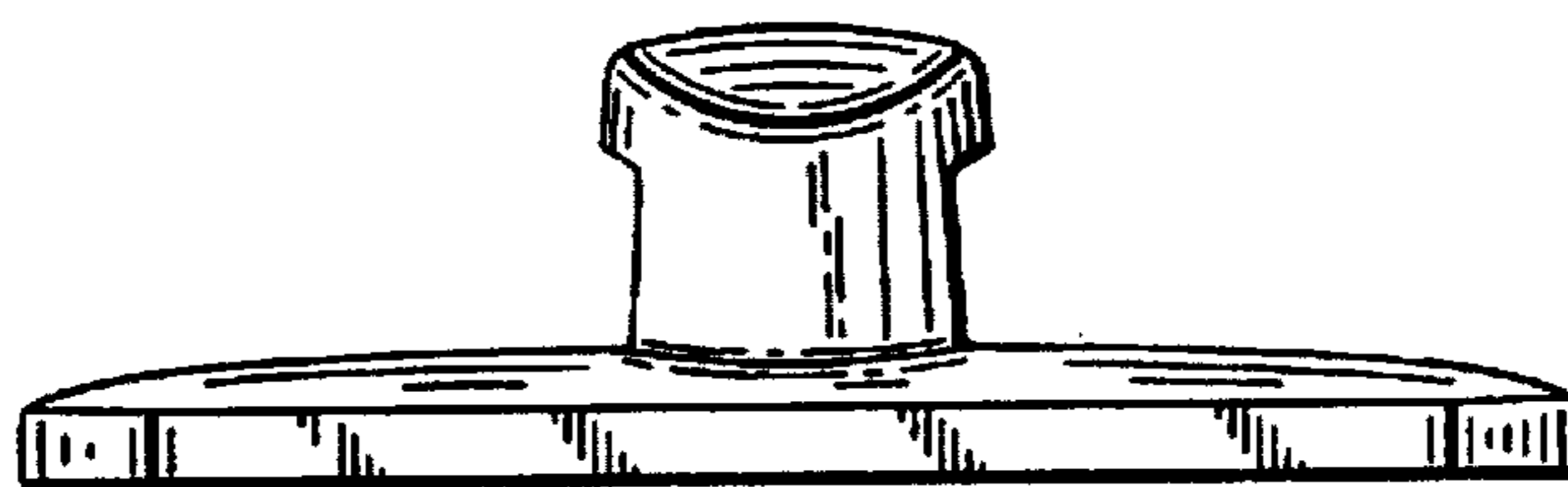
**Fig. 2**



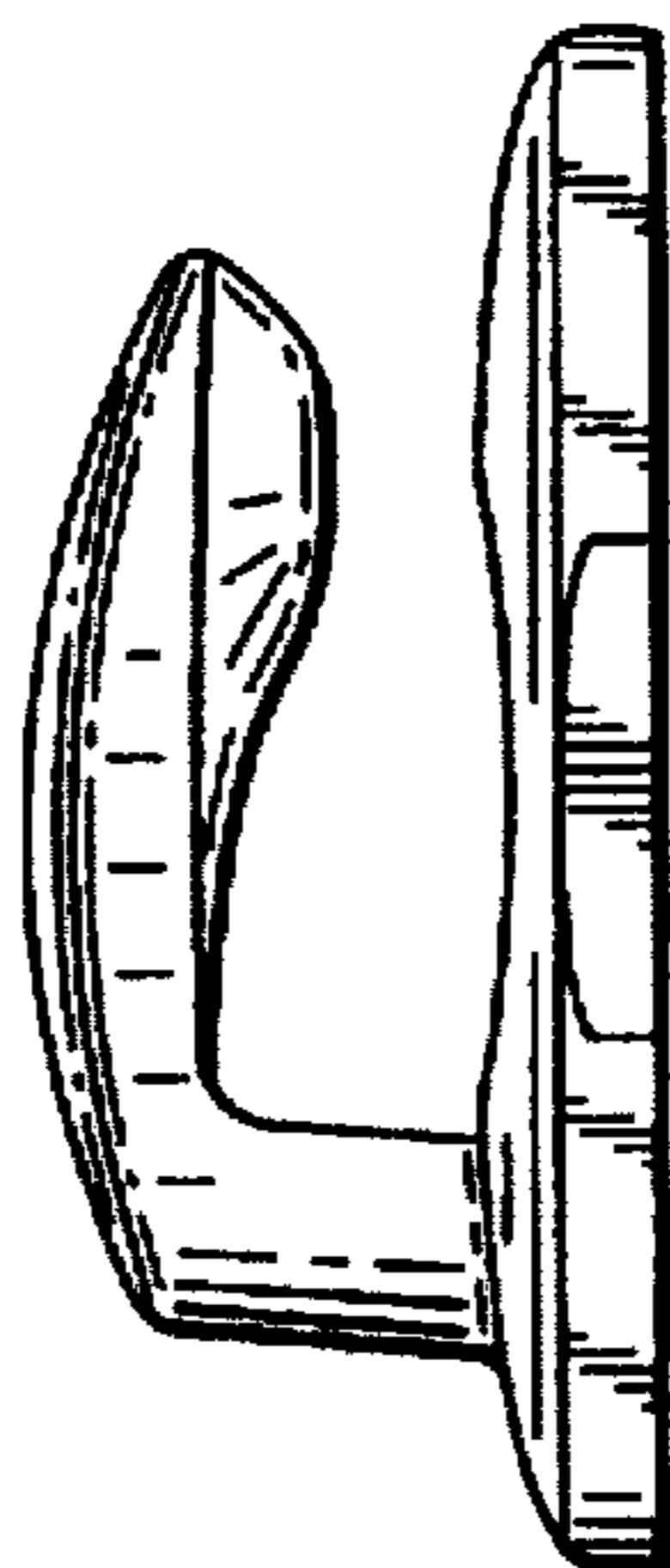
**Fig. 3**



**Fig. 4**



**Fig. 5**



**Fig. 6**