



US00D390437S

# United States Patent [19] King, Jr.

[11] Patent Number: **Des. 390,437**  
[45] Date of Patent: **\*\*Feb. 10, 1998**

[54] **RIGHT HANDED STAND TORCHFOOT**

[76] Inventor: **Fate King, Jr.**, 329 Diamond St.,  
Mound City, Ill. 62963

[\*\*] Term: **14 Years**

[21] Appl. No.: **59,277**

[22] Filed: **Sep. 6, 1996**

[51] LOC (6) Cl. .... **08-05**

[52] U.S. Cl. .... **D8/71**

[58] Field of Search ..... D8/71, 354; D6/400;  
D15/140; 72/481.1, 482.53; 81/DIG. 1;  
211/70.1, 70.6, 72; 248/121, 152, 174,  
176.1, 176.2, 300; 266/58, 66, 76, 77; 269/16;  
407/15, 66

[56] **References Cited**

**U.S. PATENT DOCUMENTS**

D. 31,665	10/1899	McKay	.....	D8/354
D. 205,793	9/1966	Holmes	.....	D8/354
D. 212,446	10/1968	McCarthy	.....	D8/354
D. 218,015	7/1970	Symington	.....	D8/354
D. 236,251	8/1975	Cunningham	.....	D8/354
D. 285,045	8/1986	Mahoney	.....	D8/354
D. 291,654	9/1987	Foster, Jr.	.....	D8/354
D. 362,174	9/1995	Sachs	.....	D8/354
D. 373,520	9/1996	King, Jr.	.....	D8/71
D. 376,085	12/1996	King, Jr.	.....	D8/71

2,534,958	12/1950	Deming	.....	266/76
2,596,133	5/1952	Donahue et al.	.....	266/77
2,879,055	3/1959	Johnston	.....	266/58
3,672,651	6/1972	Diepeveen	.....	266/77
4,333,636	6/1982	Wajtkowicz	.....	266/76
4,363,469	12/1982	Cruzan, II	.....	266/77
4,549,725	10/1985	Carroll	.....	266/76
4,681,233	7/1987	Roth	.....	211/70.6
4,830,198	5/1989	Colquitt	.....	211/70.6
5,344,108	9/1994	Heath	.....	248/300
5,482,240	1/1996	Caraher	.....	248/300

*Primary Examiner*—Antoine Duval Davis  
*Attorney, Agent, or Firm*—Mathew R. P. Perrone, Jr.

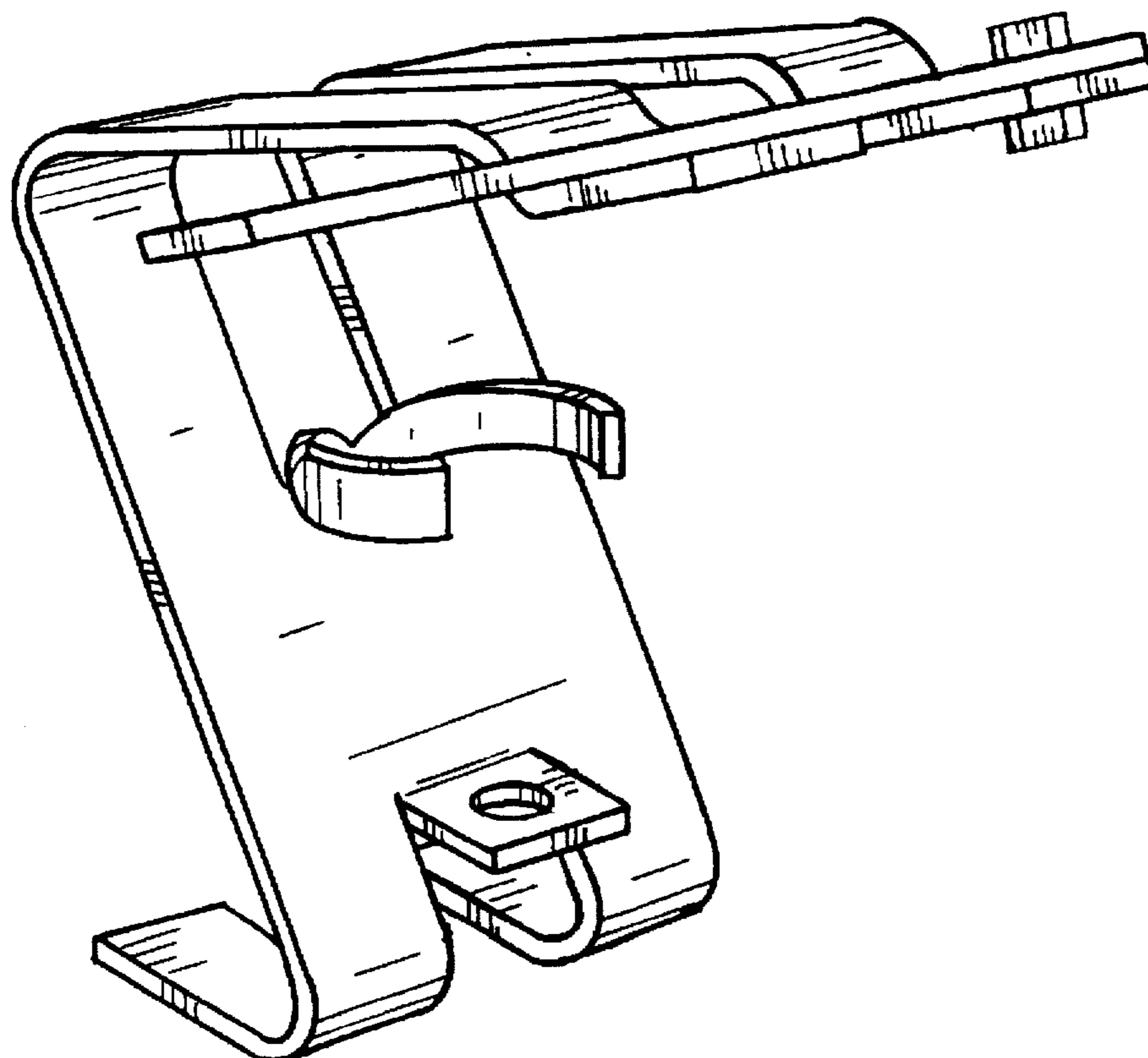
[57] **CLAIM**

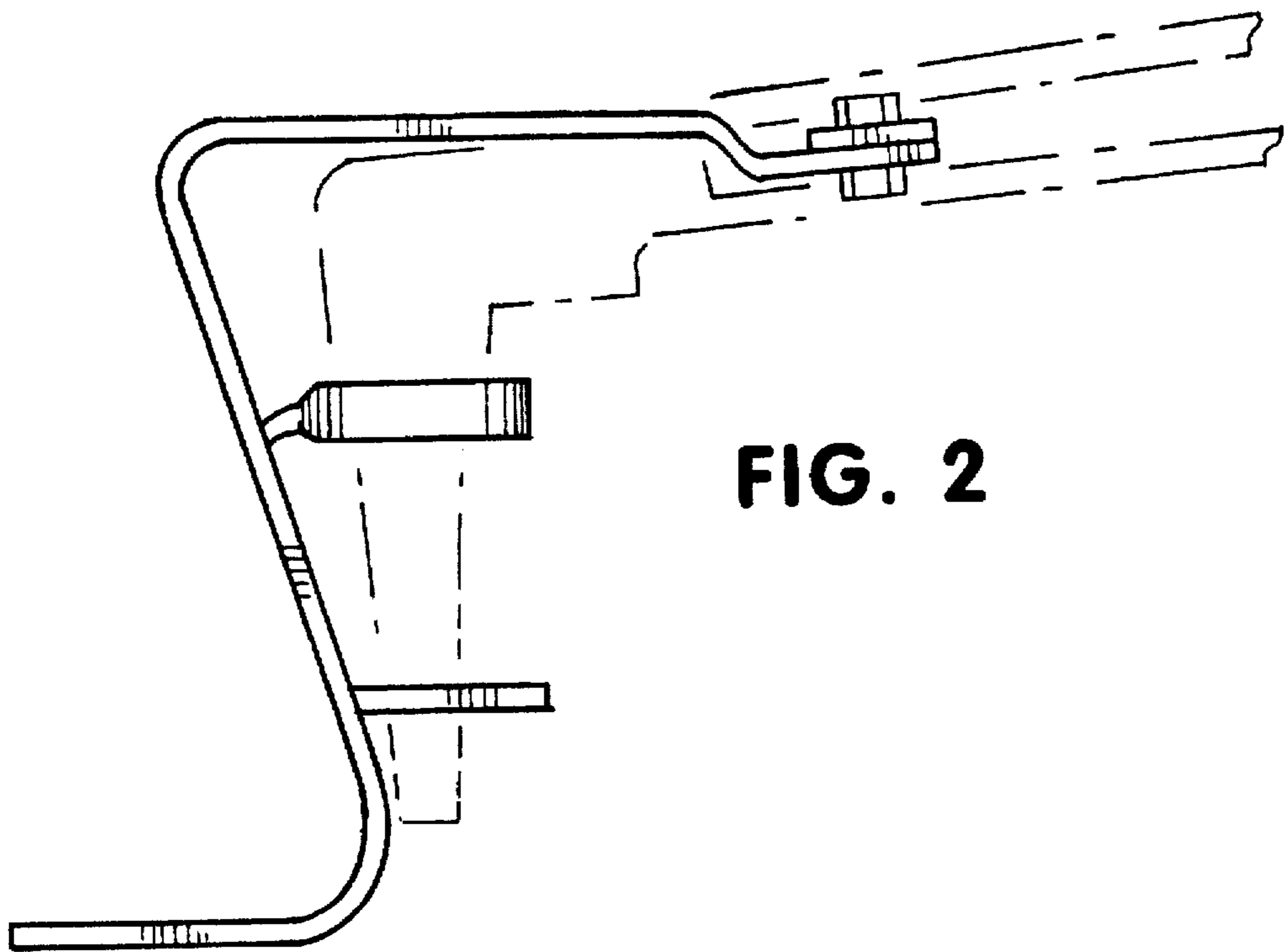
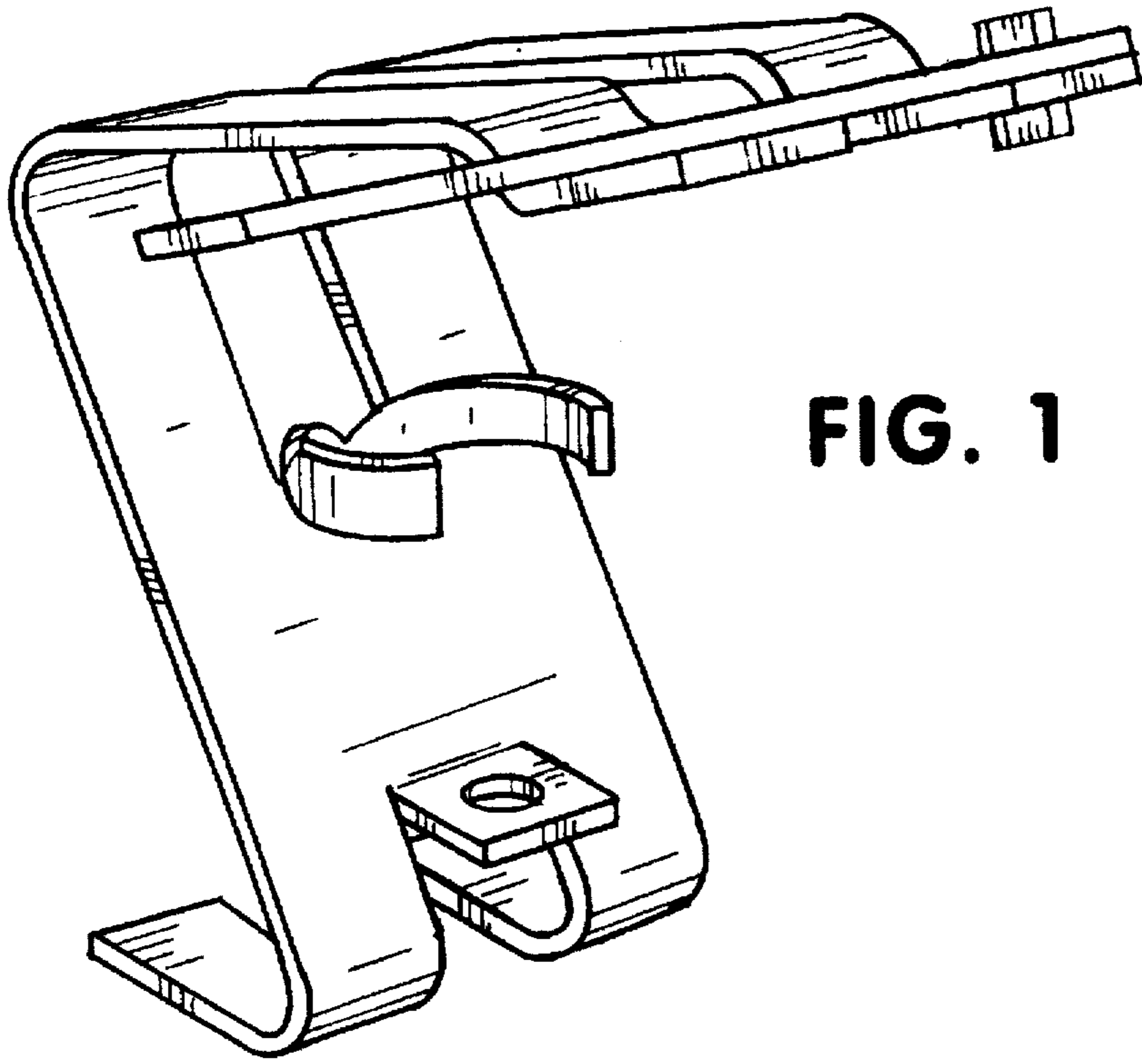
The ornamental design for a right handed stand torchfoot, as shown and described.

**DESCRIPTION**

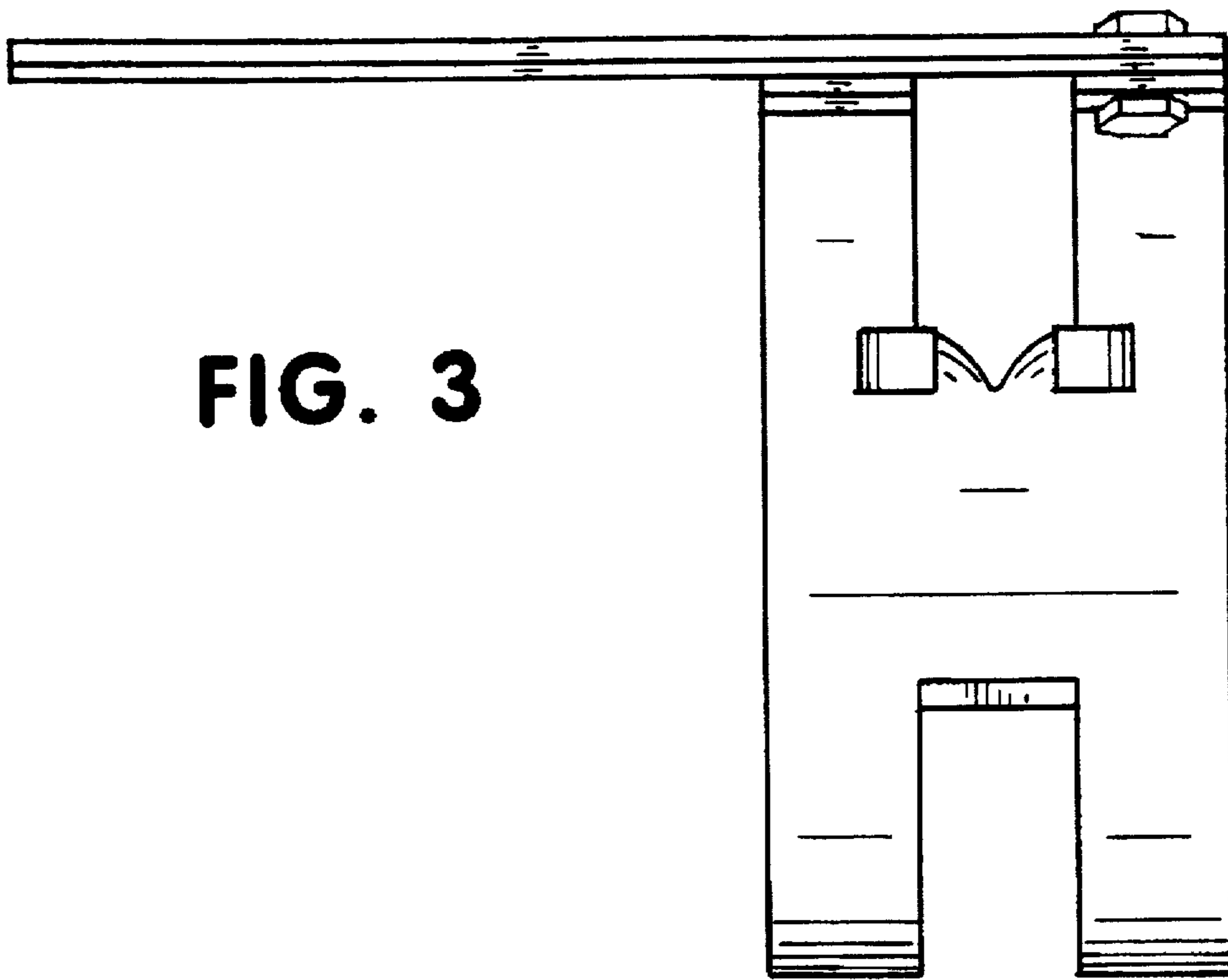
FIG. 1 is a front right perspective view of a right handed, stand torchfoot showing my new design; FIG. 2 is a right side elevational view thereof, the broken line showing of a cutting torch being for illustrative purposes only and forming no part of the claimed design; FIG. 3 is a rear elevational view thereof; FIG. 4 is a front elevational view thereof; FIG. 5 is a top plan view thereof; and, FIG. 6 is a bottom plan view elevational view thereof.

**1 Claim, 3 Drawing Sheets**

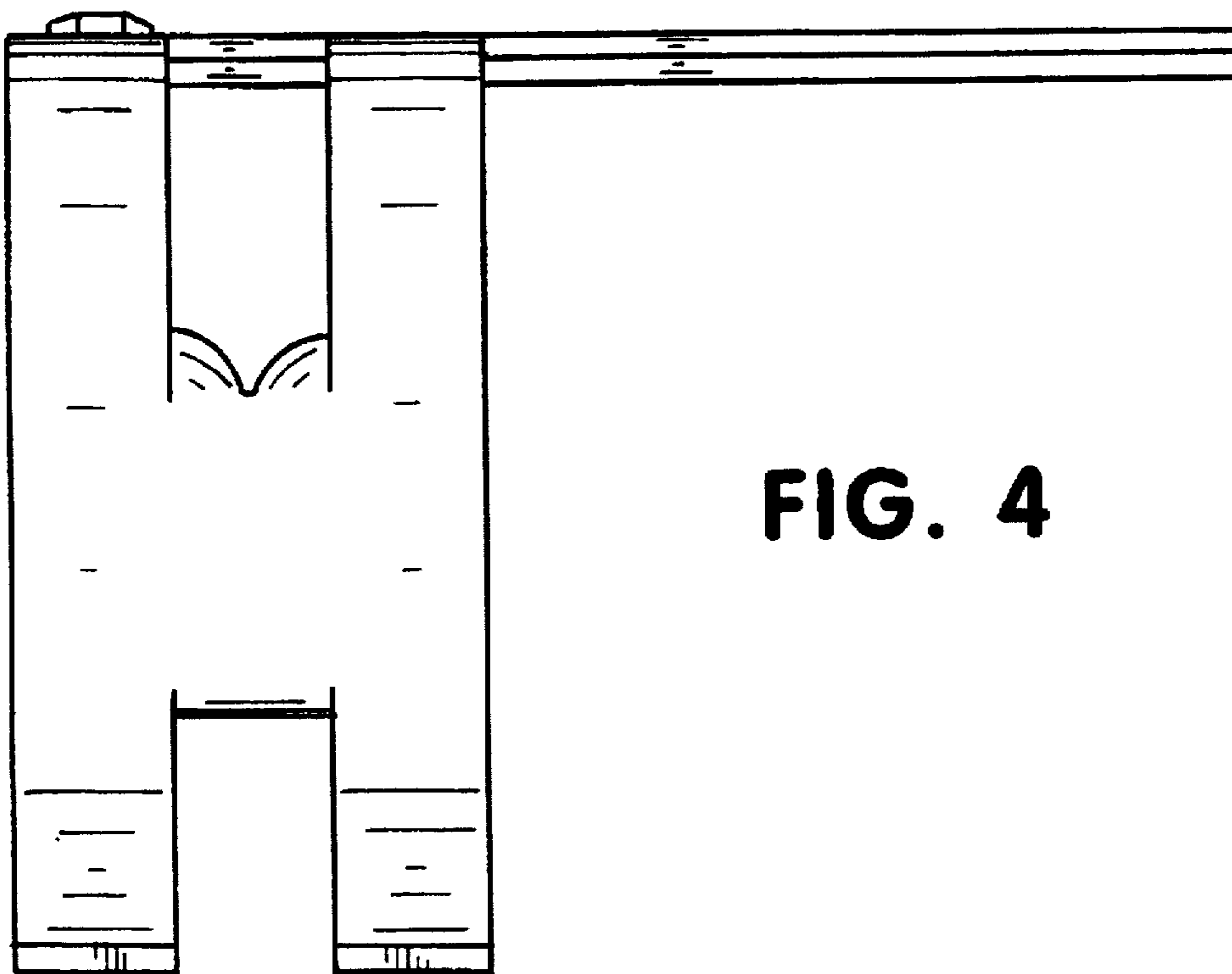




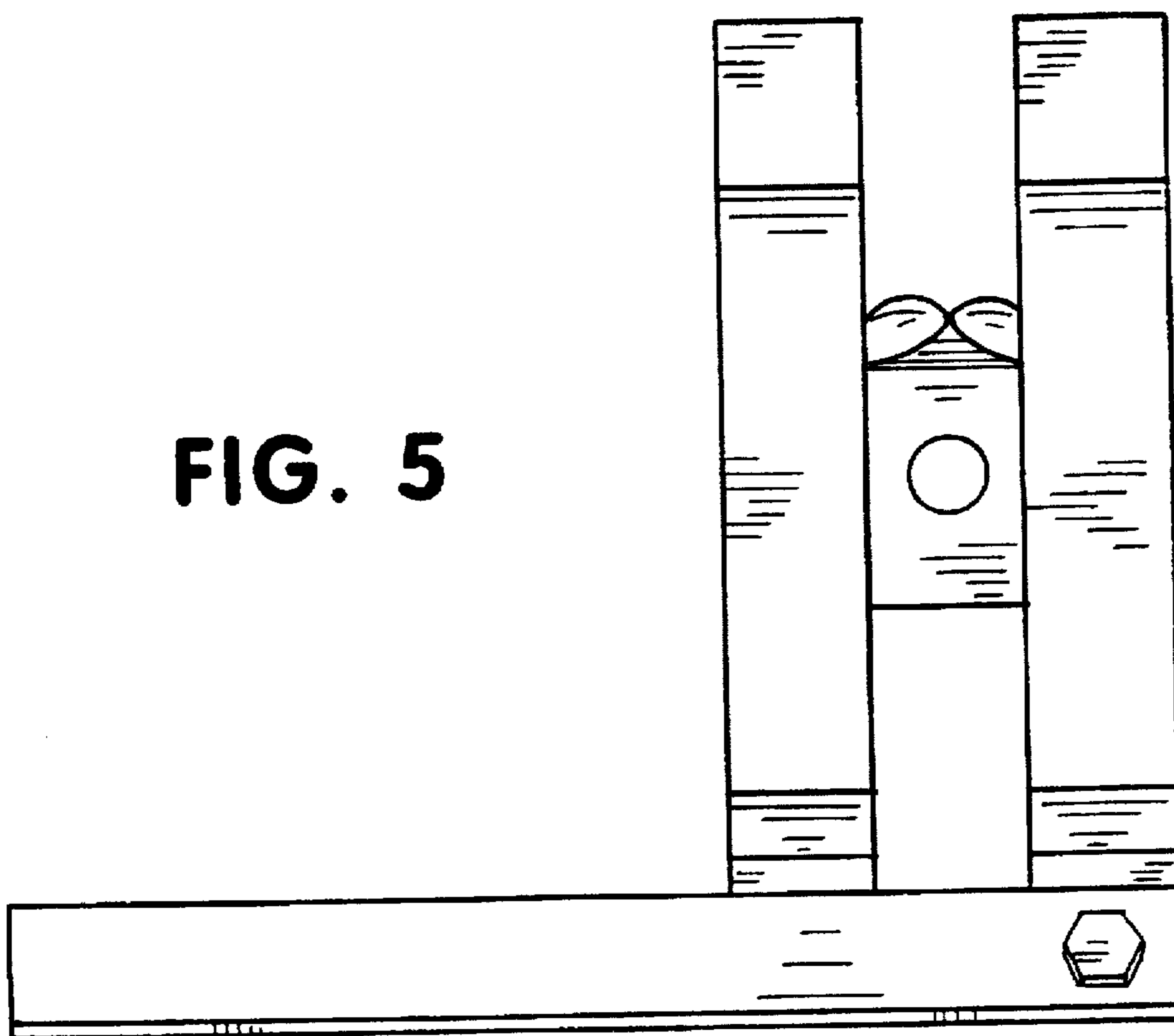
**FIG. 3**



**FIG. 4**



**FIG. 5**



**FIG. 6**

