



US00D390434S

United States Patent [19]

Aguero et al.

[11] Patent Number: Des. 390,434

[45] Date of Patent: **Feb. 10, 1998

[54] DEVICE FOR OPENING FOOD AND BEVERAGE CONTAINERS

D. 319,954	9/1991	Able et al.	D8/18
5,222,265	6/1993	Hermansson	7/156
5,403,053	4/1995	Zareck	30/410 X

[76] Inventors: Aristides Aguero; Consuelo Aguero, both of 14120 SW. 78th St., Miami, Fla. 33183

Primary Examiner—Caron D. Veynar
Attorney, Agent, or Firm—Robert M. Downey, P.A.

[**] Term: 14 Years

[57] CLAIM

[21] Appl. No.: 71,833

The ornamental design for a device for opening food and beverage containers, as shown and described.

[22] Filed: May 27, 1997

DESCRIPTION

[51] LOC (6) Cl. 07-99

FIG. 1 is a front, top perspective view of the device showing our new design;

[52] U.S. Cl. D8/40; D8/33; D8/41

FIG. 2 is a left side elevational view thereof, the right side elevational view being identical;

[58] Field of Search D8/18, 19, 33-43;

FIG. 3 is a top plan view thereof;

30/400, 410-416; 7/151-156

FIG. 4 is a bottom plan view thereof;

[56] References Cited

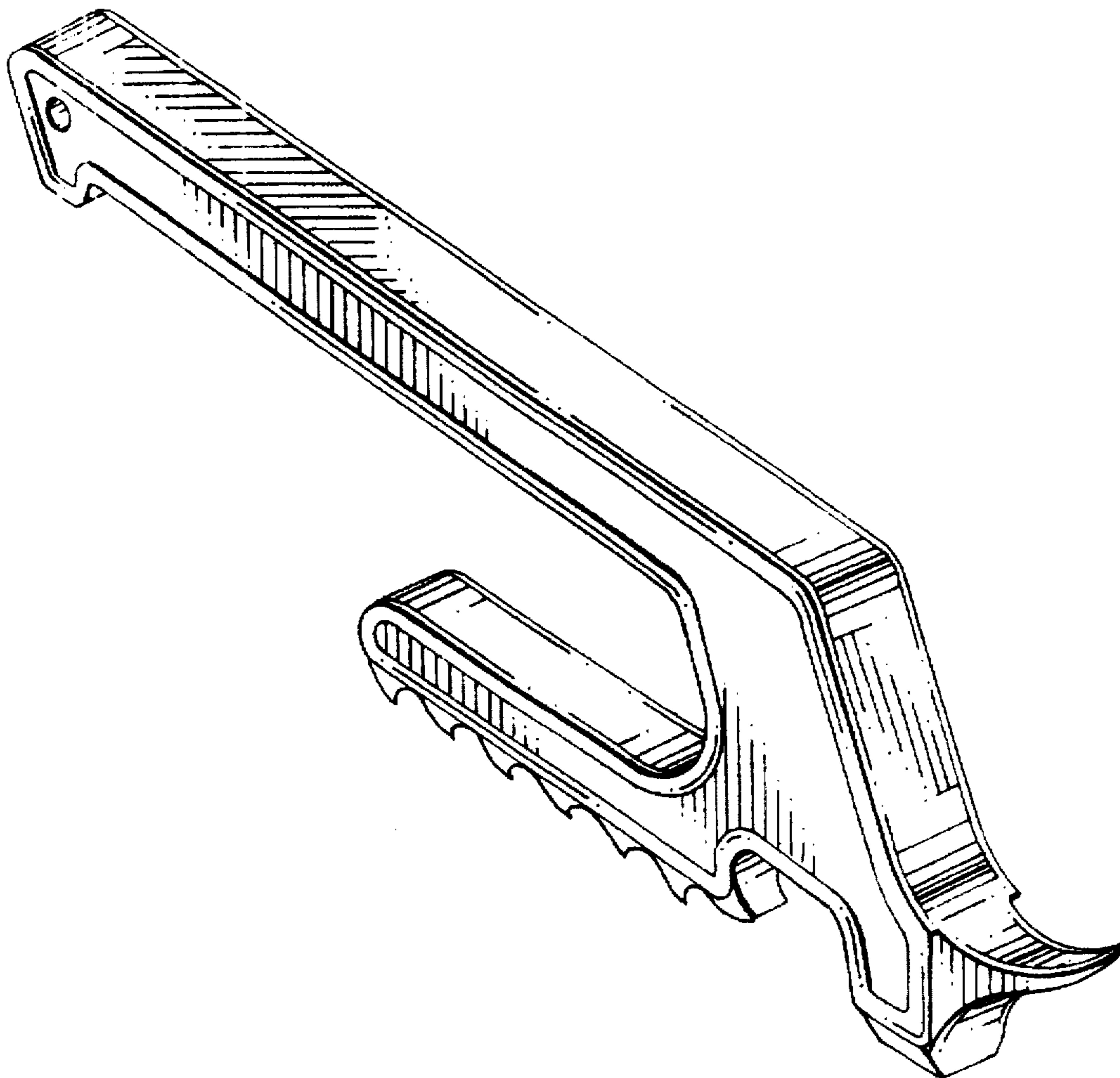
FIG. 5 is a front end elevational view thereof; and,

U.S. PATENT DOCUMENTS

FIG. 6 is a rear end elevational view thereof.

D. 179,916	3/1957	Raverty et al.	D8/18
D. 245,393	8/1977	Madsen et al.	D8/18
D. 252,849	9/1979	Weiss	D8/40

1 Claim, 1 Drawing Sheet



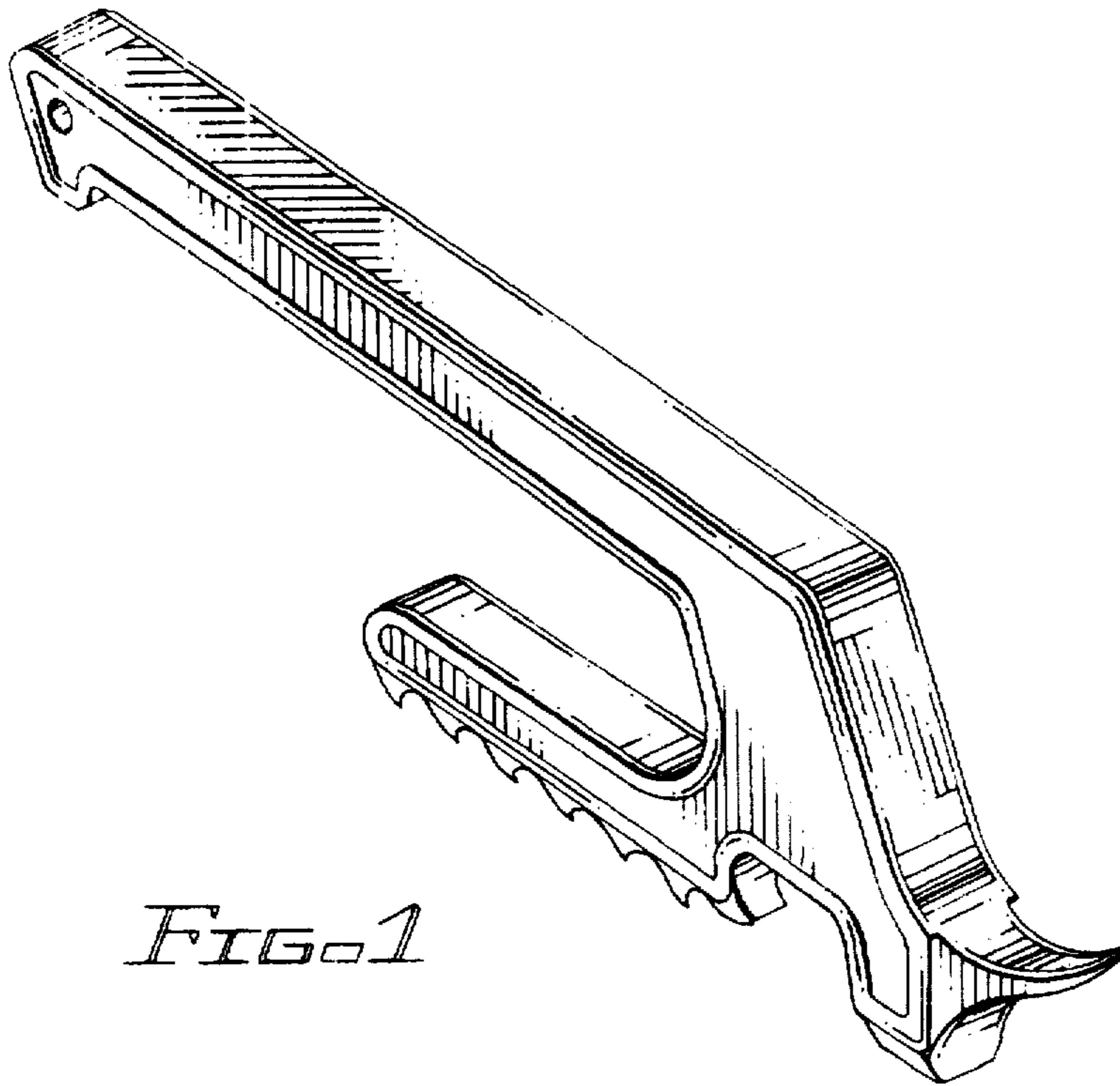


FIG. 1



FIG. 5



FIG. 6

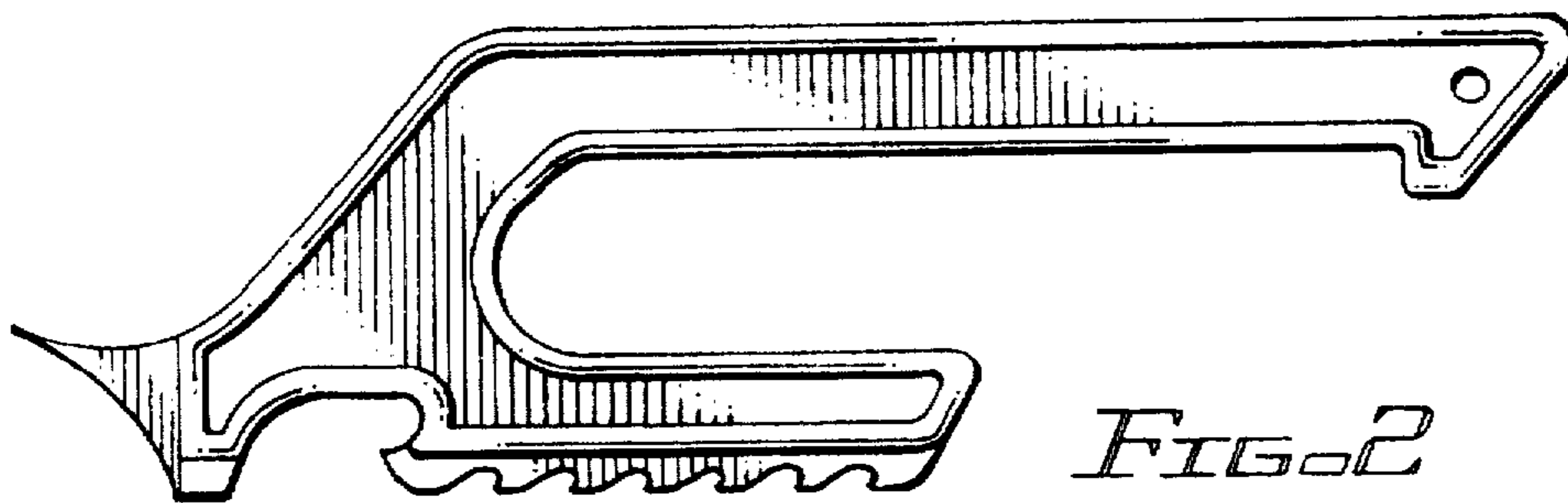


FIG. 2



FIG. 3



FIG. 4