



US00D390425S

United States Patent [19]
Henry et al.

[11] **Patent Number: Des. 390,425**
[45] **Date of Patent: **Feb. 10, 1998**

[54] **ELEPHANT BASTER**
[75] Inventors: **Louis F. Henry; Bruce Ancona**, both of New York, N.Y.
[73] Assignee: **B. Via International Housewares, Inc.**, Englewood Cliffs, N.J.
[**] Term: **14 Years**
[21] Appl. No.: **61,566**
[22] Filed: **Oct. 25, 1996**
[51] LOC (6) Cl. **07-04**
[52] U.S. Cl. **D7/669; D11/158; D21/162**
[58] Field of Search **D7/669; D11/158; D21/162; 99/345, 346; 141/26, 352, 357**

D. 347,147 5/1994 Harrison D7/656
D. 347,148 5/1994 Harrison D7/656

OTHER PUBLICATIONS

Colonial Gardens Kitchens, Baster (G), p. 35.
Primary Examiner—Terry A. Wallace
Attorney, Agent, or Firm—Wolf, Greenfield & Sacks, P.C.

[57] **CLAIM**

The ornamental design for an elephant baster, as shown and described.

DESCRIPTION

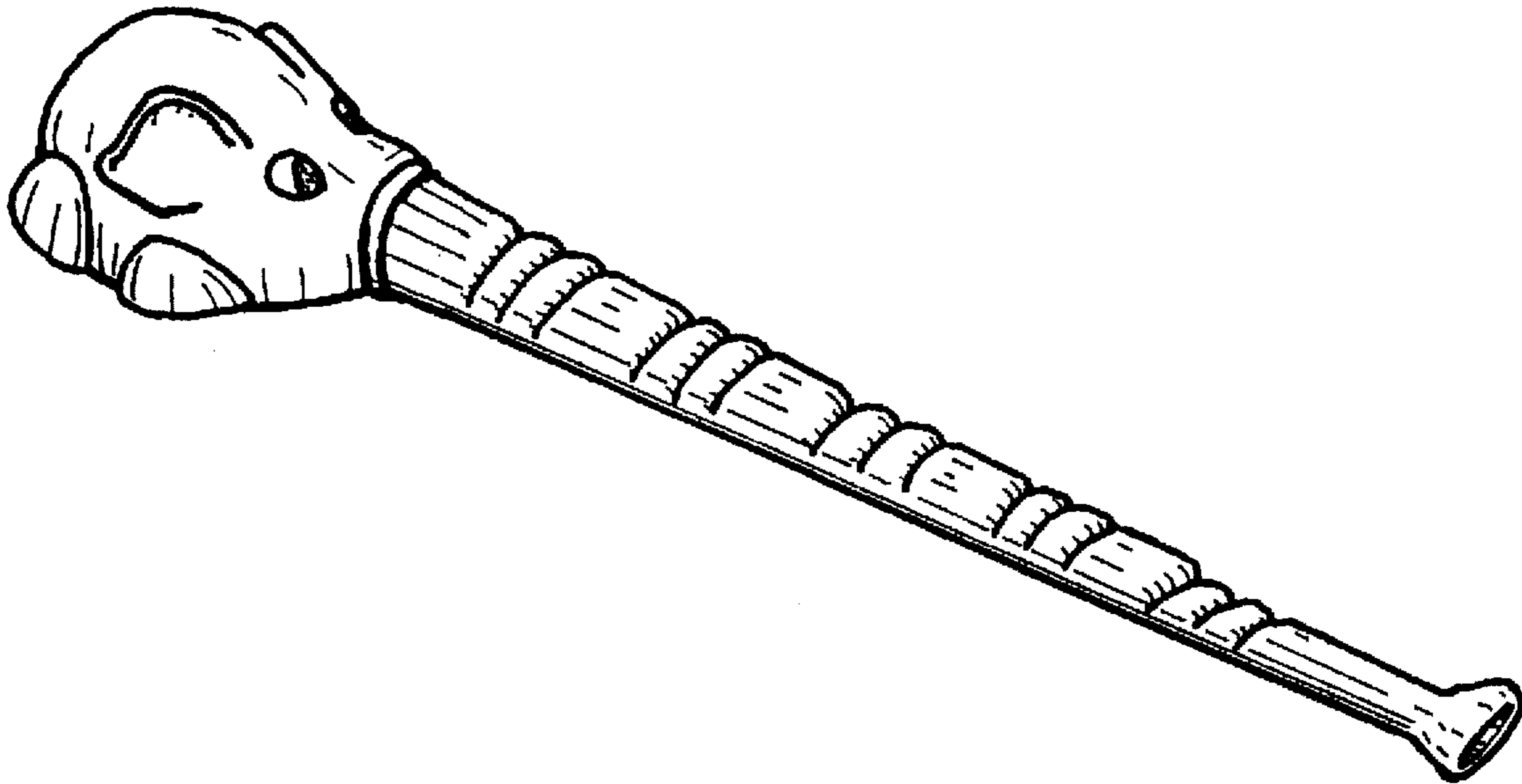
FIG. 1 is a top, side perspective view of an elephant baster showing our new design;
FIG. 2 is a front elevation view thereof;
FIG. 3 is a rear elevation view thereof;
FIG. 4 is a top plan thereof;
FIG. 5 is a bottom plan thereof;
FIG. 6 is a left side elevation view thereof; and,
FIG. 7 is a right side elevation view thereof.

[56] **References Cited**

U.S. PATENT DOCUMENTS

D. 173,979 2/1955 Crenshaw D21/162 X
D. 249,030 8/1978 Bossons D21/162 X
D. 347,146 5/1994 Harrison D7/656

1 Claim, 2 Drawing Sheets



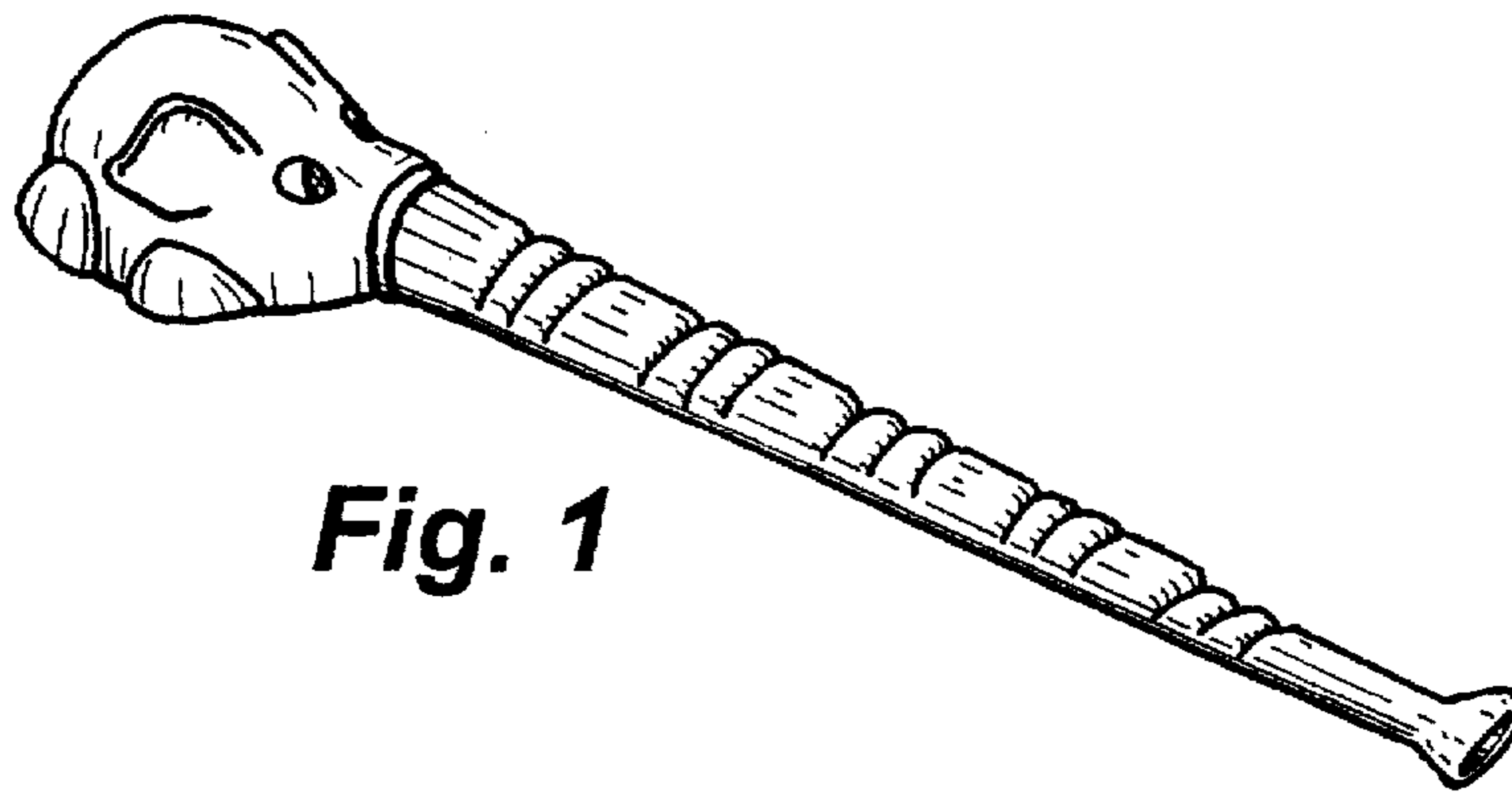


Fig. 1

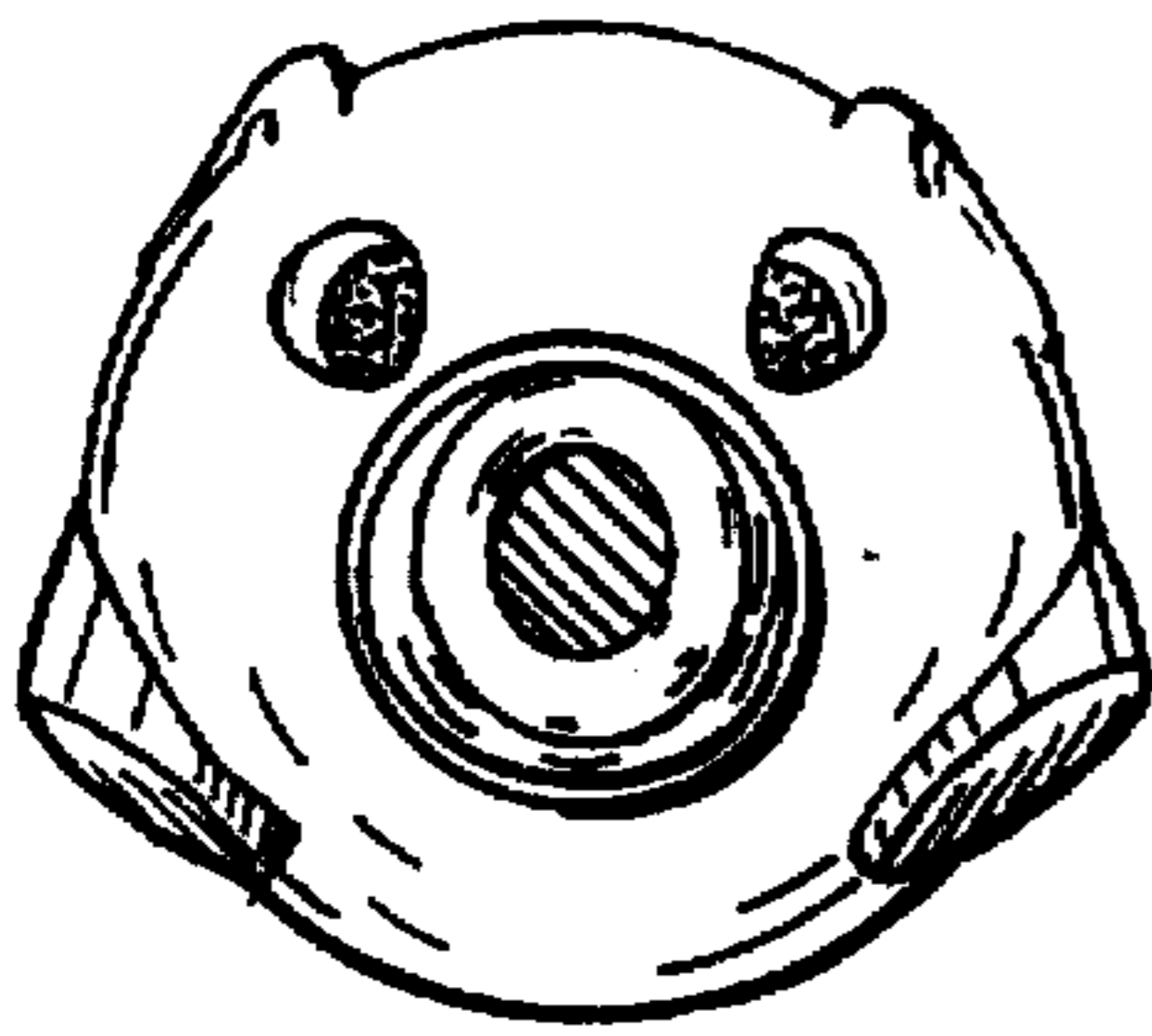


Fig. 2

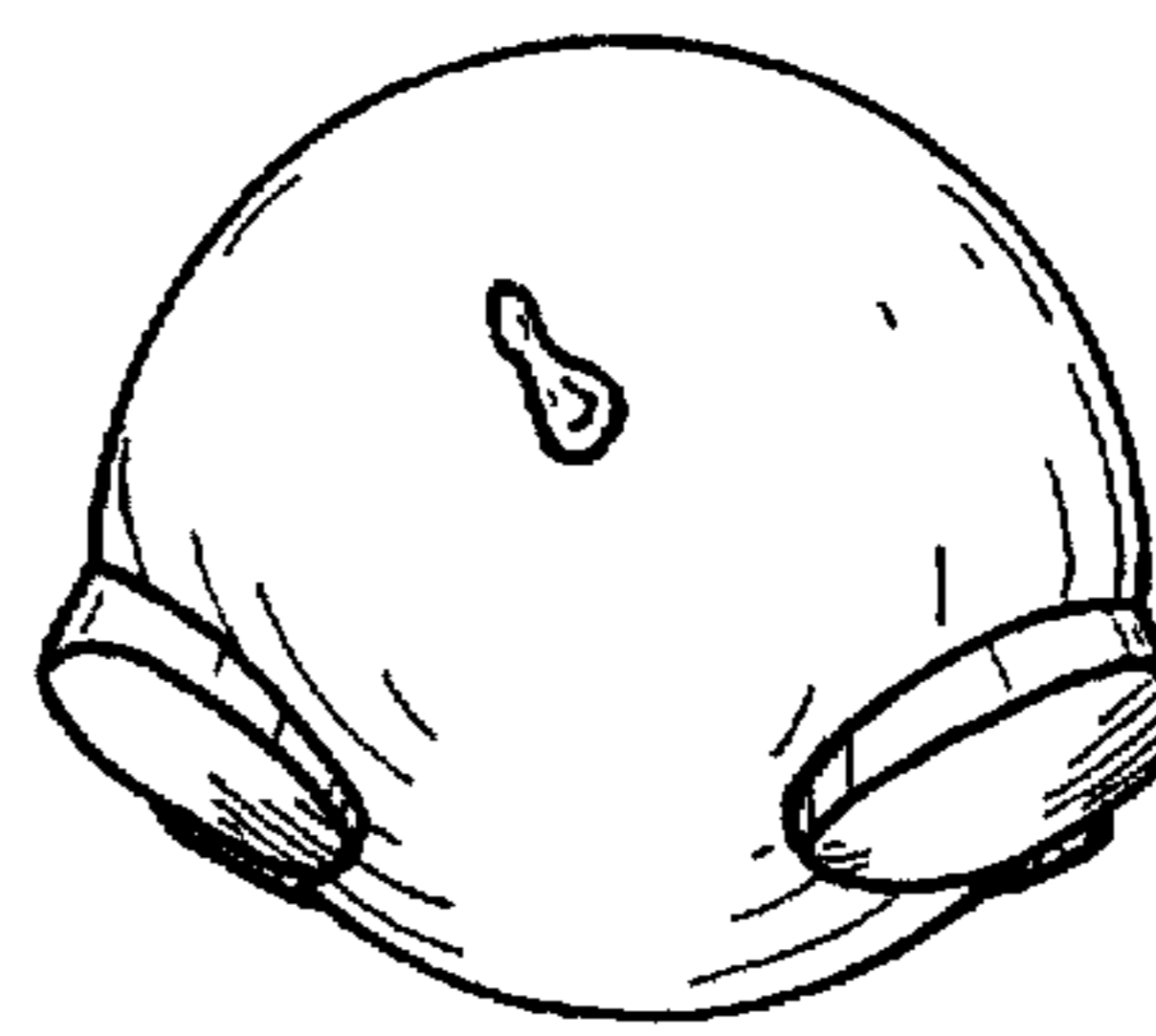


Fig. 3

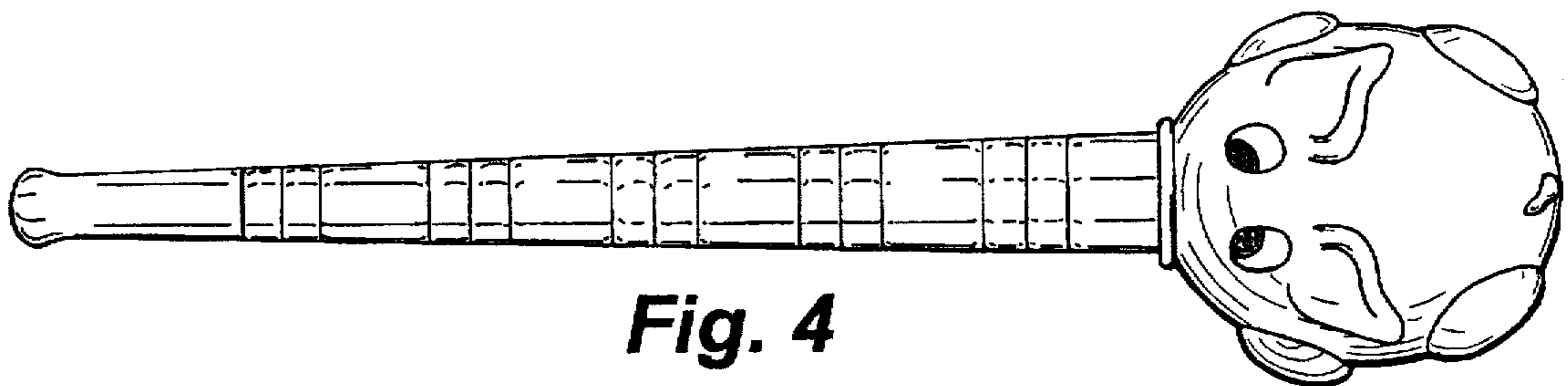


Fig. 4

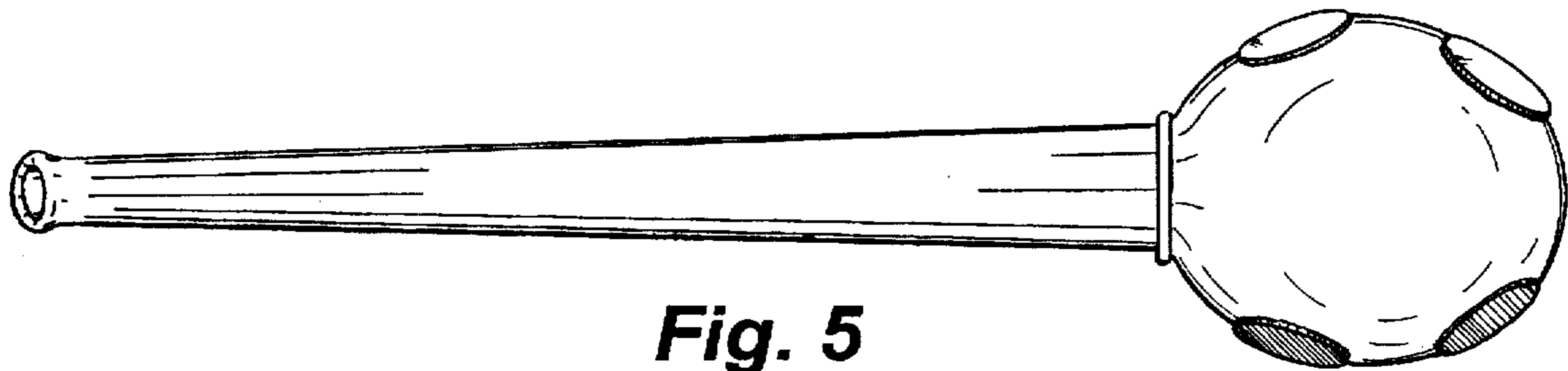


Fig. 5

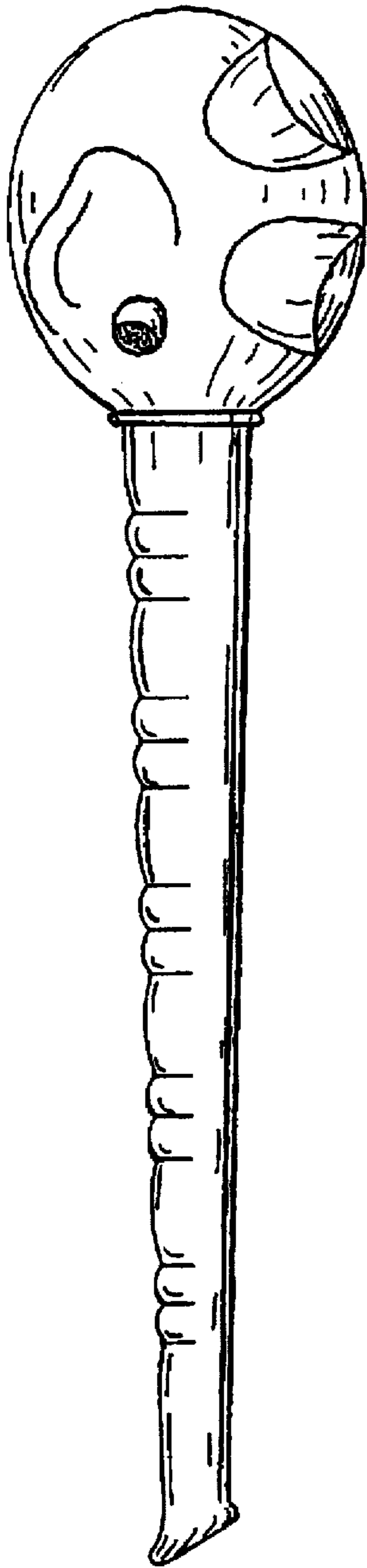


Fig. 6

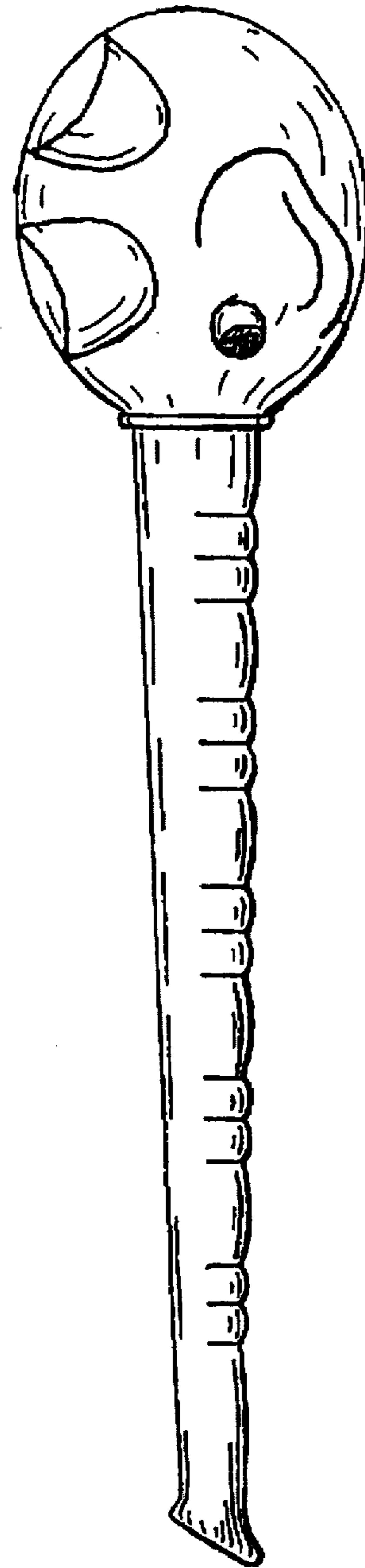


Fig. 7