

US00D390420S

United States Patent [19]

[11] Patent Number: **Des. 390,420**

Rapaz

[45] Date of Patent: ****Feb. 10, 1998**

[54] CONDIMENT RECEPTACLE

[76] Inventor: **Antonio M. Rapaz**, 9498 Tupper Street, Chilliwack, British Columbia, Canada, V2P 4G4

[**] Term: **14 Years**

[21] Appl. No.: **60,316**

[22] Filed: **Sep. 26, 1996**

[51] LOC (6) Cl. **07-06**

[52] U.S. Cl. **D7/590; D7/700**

[58] Field of Search **D7/305, 312, 313, D7/589, 590, 700; 141/106, 364, 375**

[56] References Cited

U.S. PATENT DOCUMENTS

4,665,958	5/1987	Holloway et al.	141/106
4,832,095	5/1989	Bonnell	141/106
5,269,354	12/1993	Koberg	141/106

Primary Examiner—Terry A. Wallace
Attorney, Agent, or Firm—Oyen Wiggs Green & Mutala

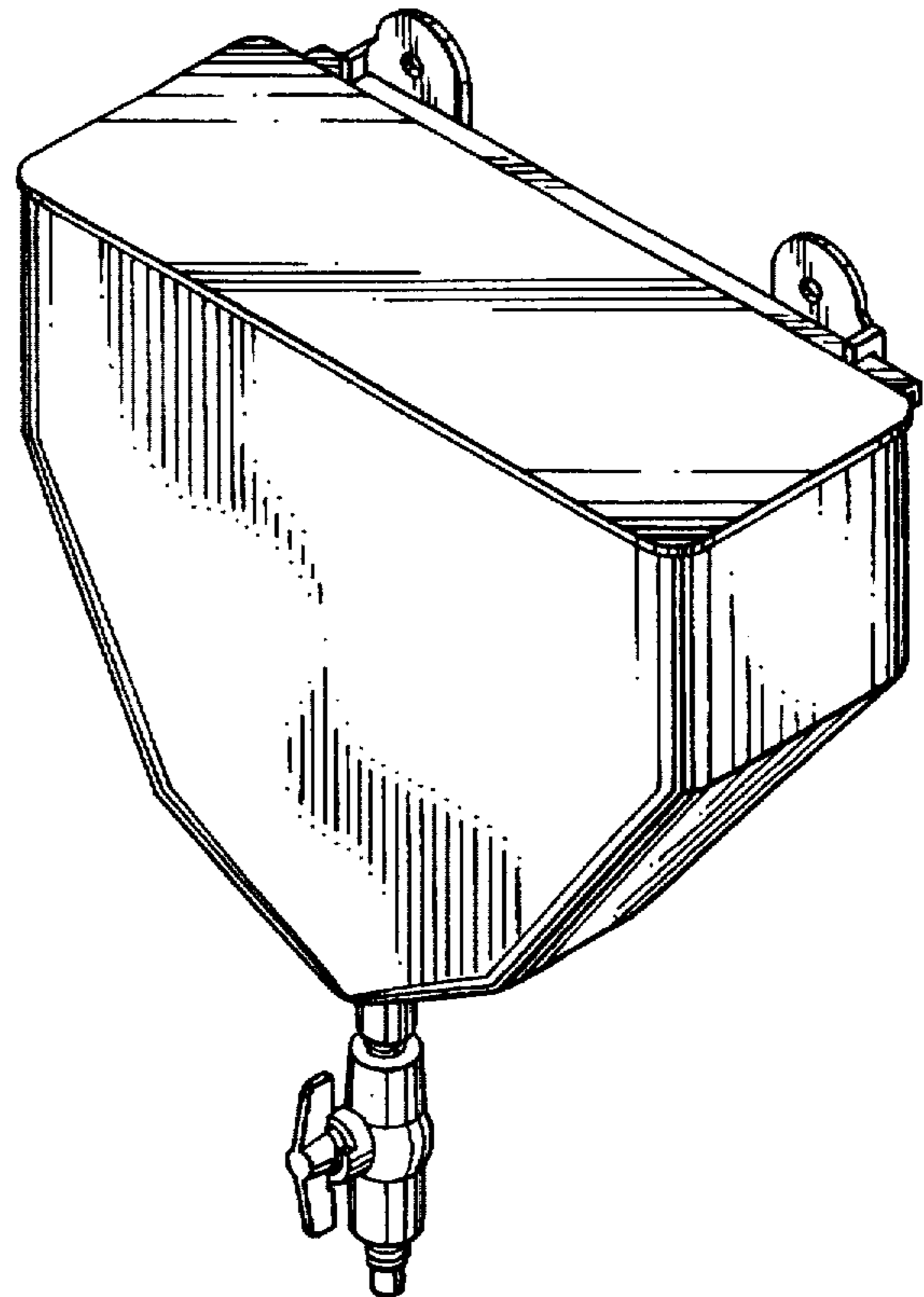
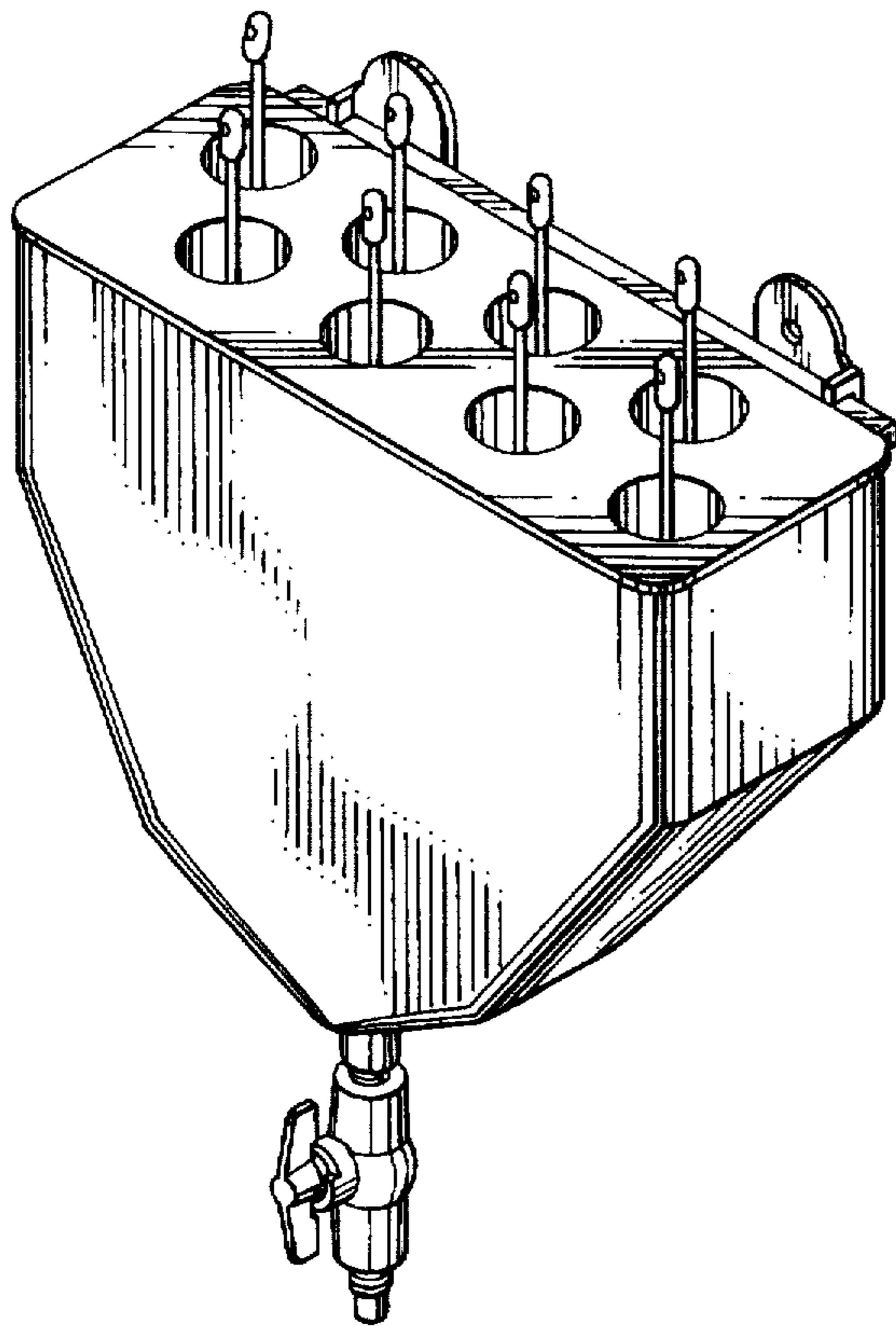
[57] CLAIM

The ornamental design for a condiment receptacle, as shown and described.

DESCRIPTION

FIG. 1 is a front isometric view of a first variant of the applicant's condiment receptacle illustrating new design; FIG. 2 is a top plan view thereof; FIG. 3 is a front elevational view thereof; FIG. 4 is a right side elevational view thereof; FIG. 5 is a bottom plan view thereof; FIG. 6 is a rear elevational view thereof; FIG. 7 is a left side elevational view thereof; and, FIG. 8 is a front elevational view of a second variant of the design, the difference being in the cover over the holes in the top.

1 Claim, 4 Drawing Sheets



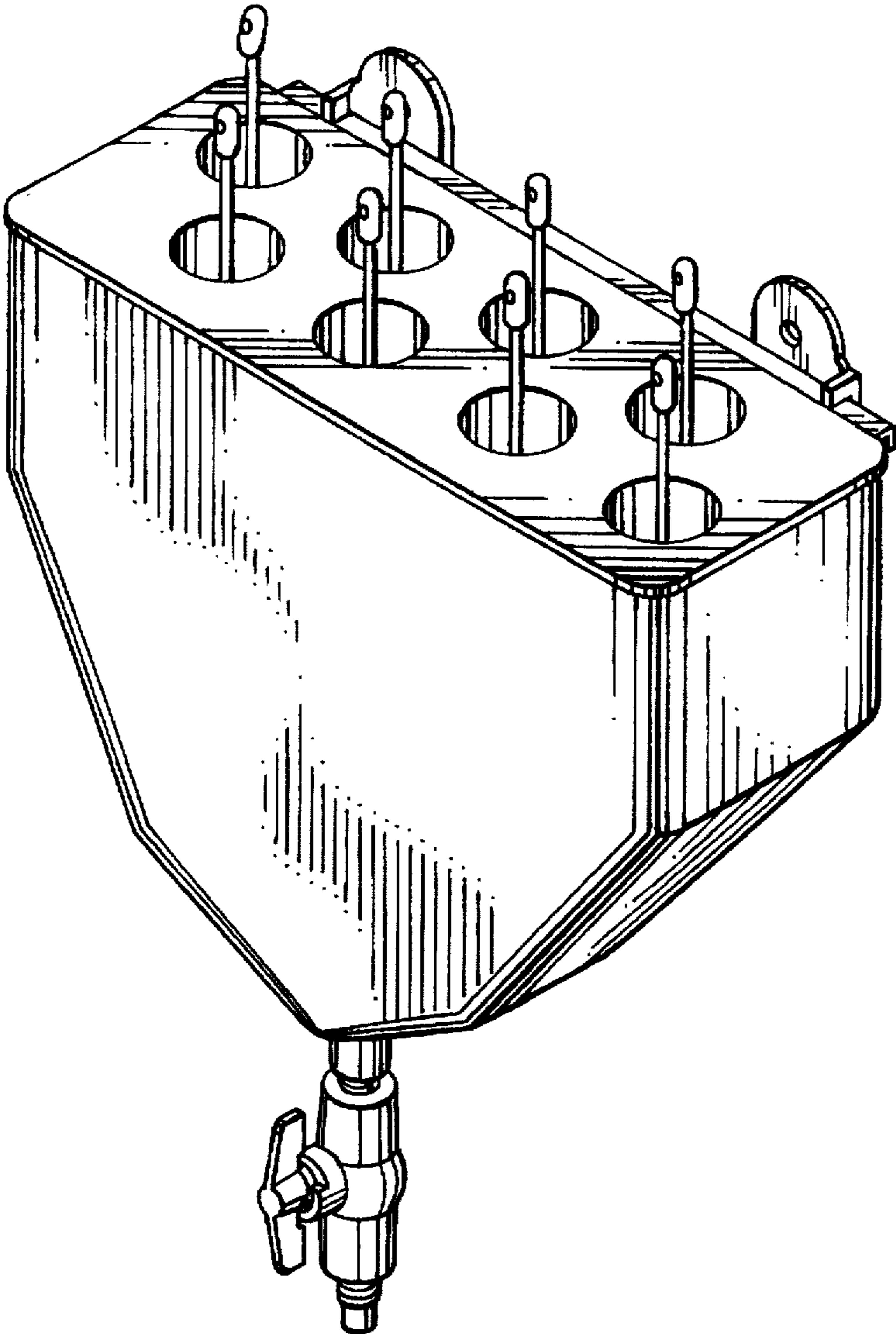


FIG. 1

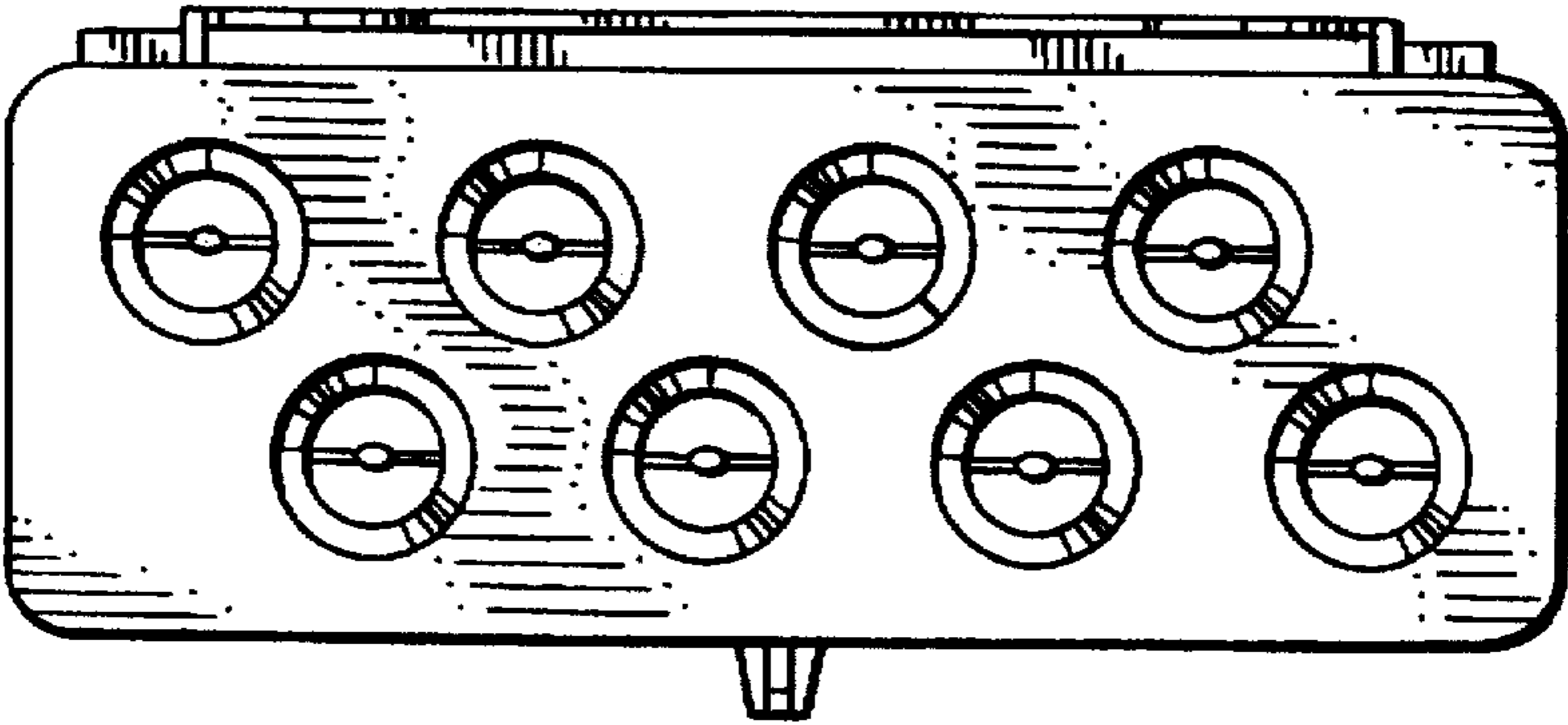


FIG. 2

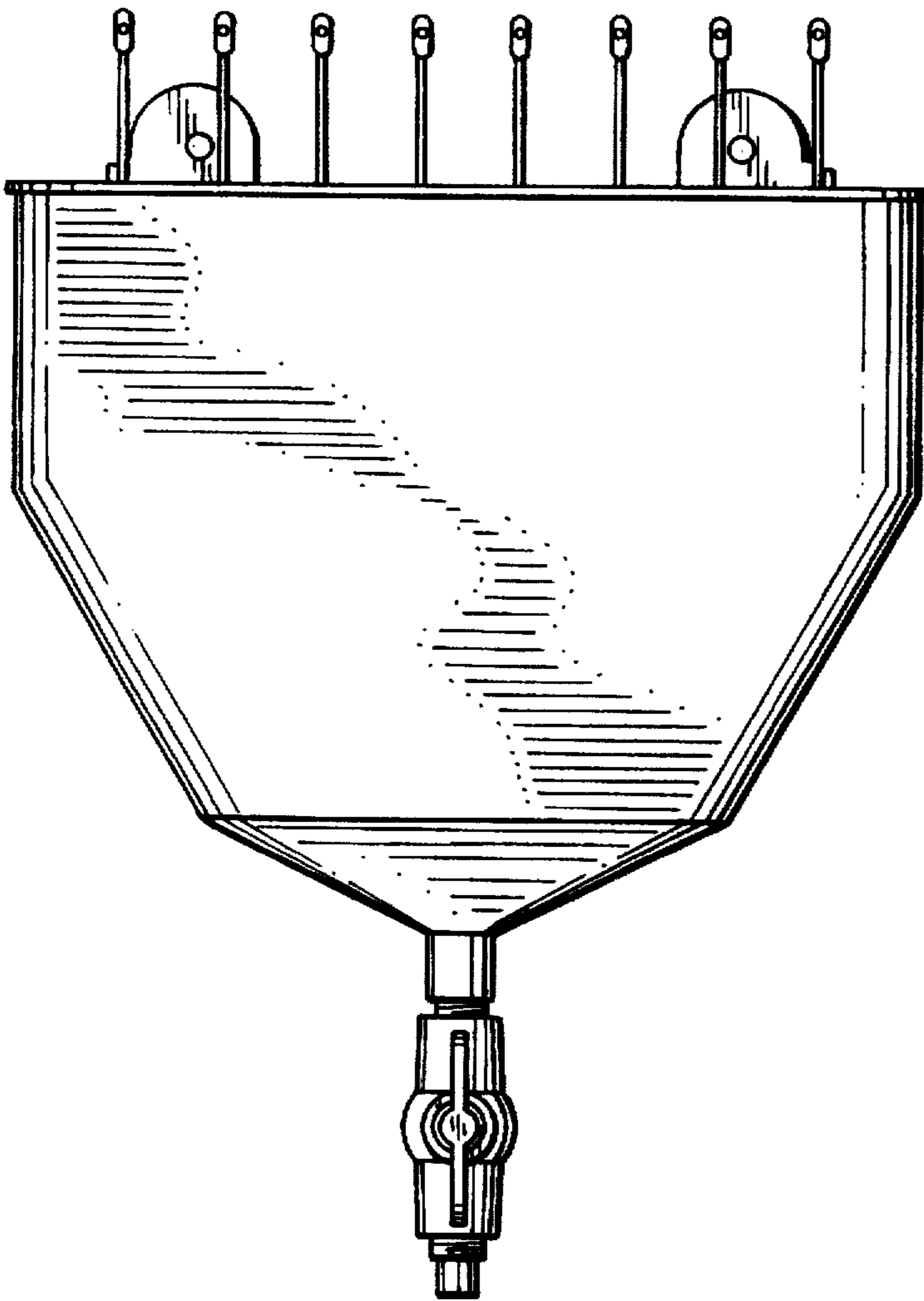


FIG. 3

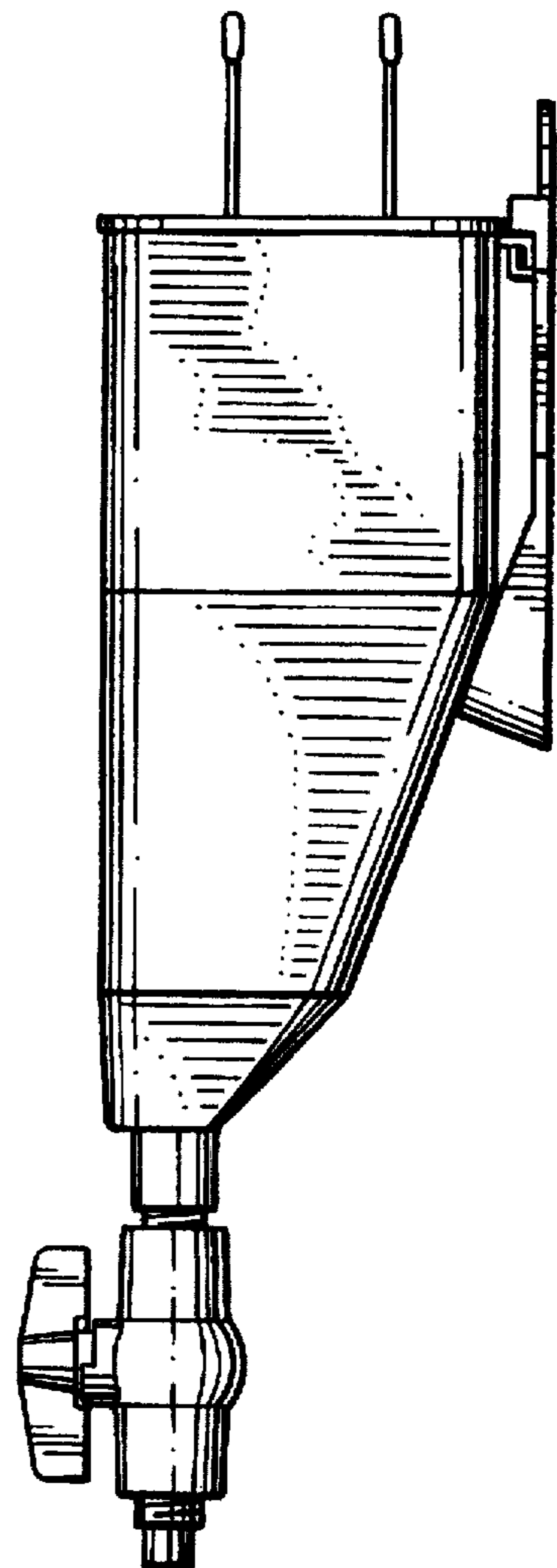


FIG. 4

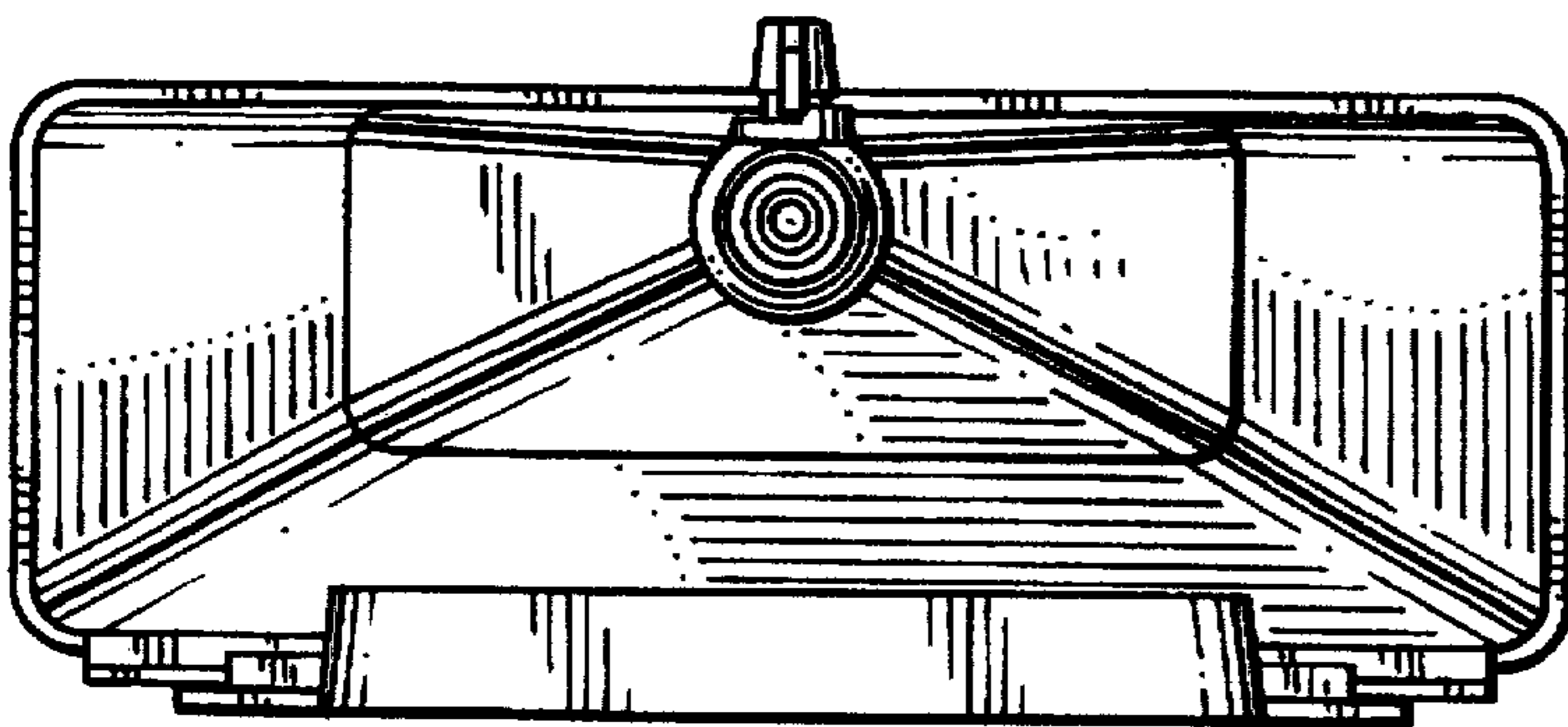


FIG. 5

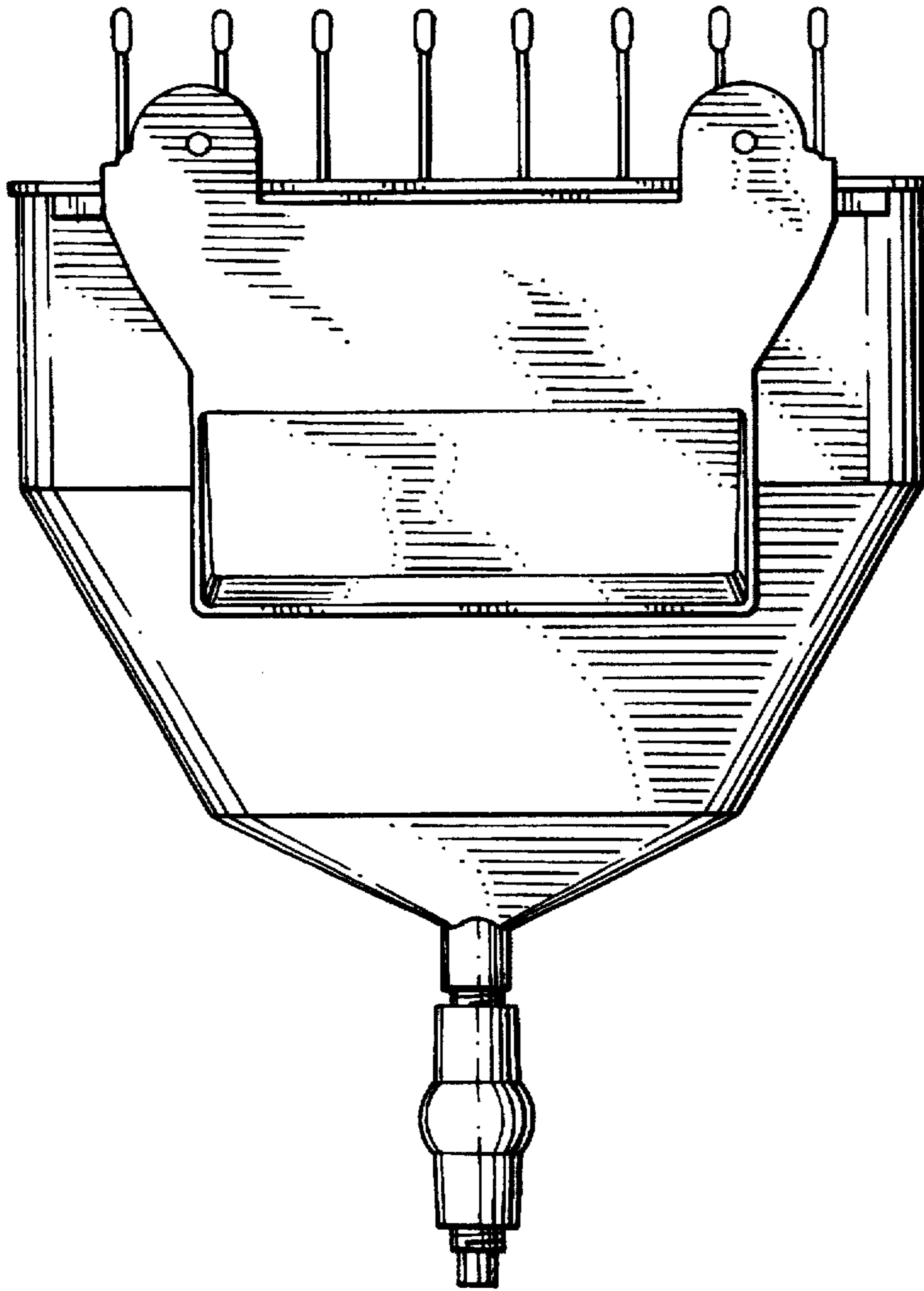


FIG. 6

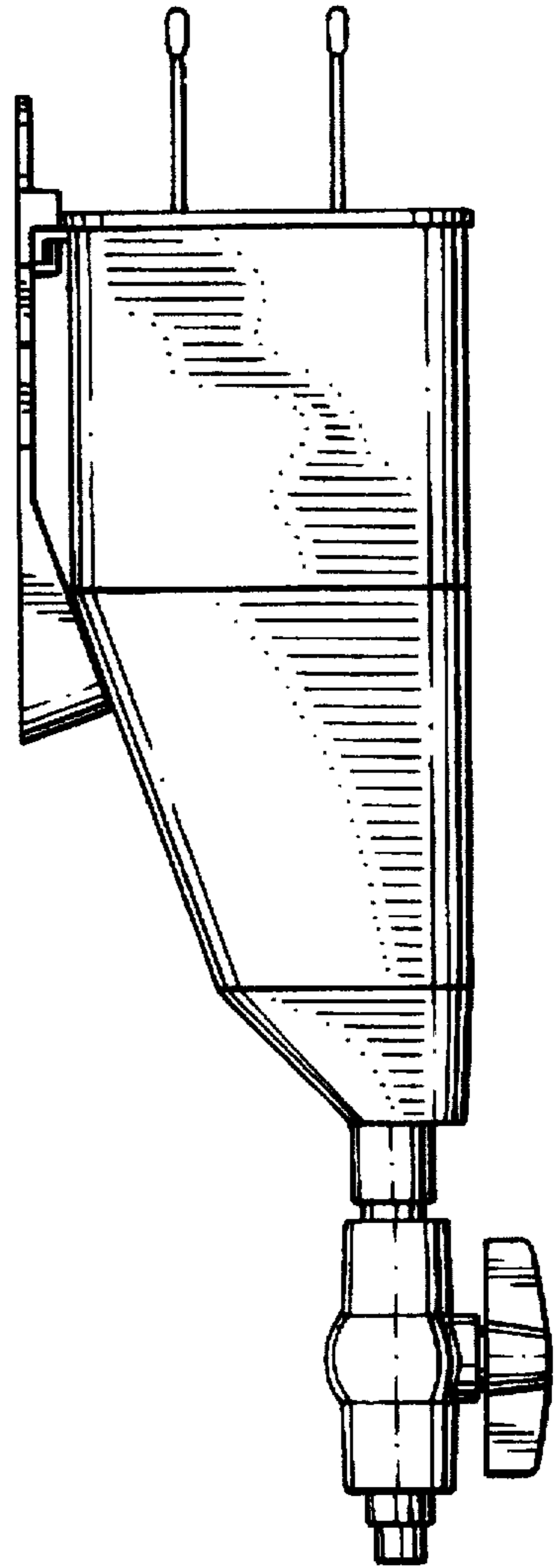


FIG. 7

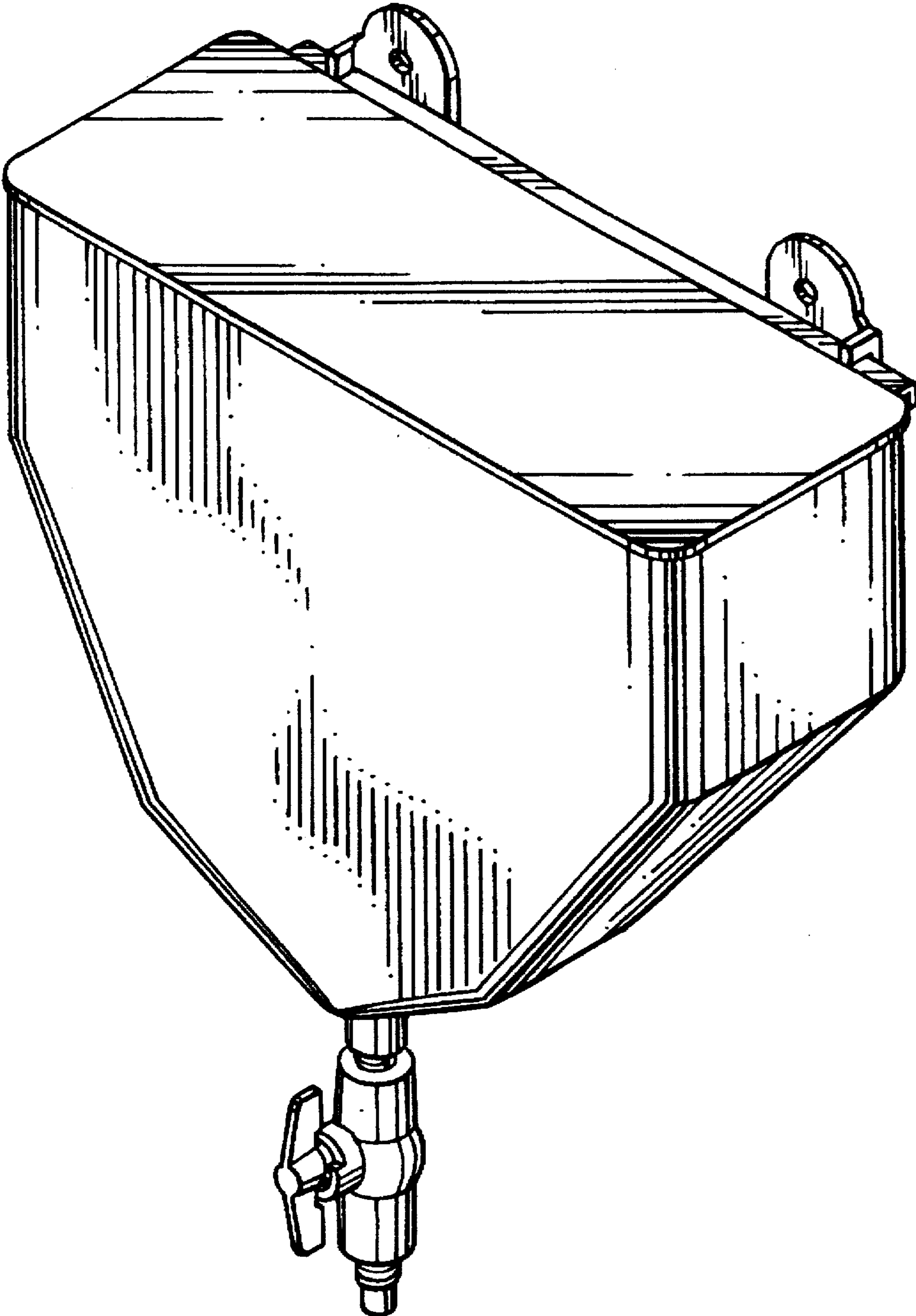


FIG. 8