

US00D390416S

United States Patent [19]

Hippen et al.

[11] Patent Number: **Des. 390,416**

[45] Date of Patent: ****Feb. 10, 1998**

[54] **BLENDER JAR**

[75] Inventors: **Jan Hippen**, Portland, Oreg.; **Iulius Lucaci**, Wheeling, Ill.; **Angelika L. Schubert-Belle**, Portland, Oreg.

[73] Assignee: **Black & Decker Inc.**, Newark, Del.

[**] Term: **14 Years**

[21] Appl. No.: **62,862**

[22] Filed: **Nov. 29, 1996**

[51] **LOC (6) Cl.** **31-00**

[52] **U.S. Cl.** **D7/413; D7/318**

[58] **Field of Search** **D7/317-319, 376, D7/378, 413; 241/37.5, 101.1, 199.12, 282.1, 282.2, 92, 93; 366/129, 130, 197, 199, 204, 205, 314**

[56] References Cited

U.S. PATENT DOCUMENTS

D. 114,673	5/1939	Cravaritis	D7/300.1
D. 123,477	11/1940	Feltman et al.	D7/378
D. 155,089	9/1949	Karstadt	D7/378
D. 199,888	12/1964	Dewenter	D7/378
D. 204,924	5/1966	Di Sesa	D7/378
D. 213,938	4/1969	Morris	D7/378
D. 232,658	9/1974	Fasauer	D30/121
D. 246,413	11/1977	Wildgen	D7/319
D. 255,759	7/1980	Ernest	D7/386
D. 321,301	11/1991	Purkapile	D7/376
D. 322,193	12/1991	Maass	D7/384 X
D. 347,144	5/1994	Brady	D7/413
D. 347,966	6/1994	Doggett	D7/378
D. 349,423	8/1994	Burgel	D7/378
1,445,867	2/1923	Binder	366/205
2,757,909	8/1956	Wayne	241/282.2
2,800,310	7/1957	Snyder	366/205

Primary Examiner—Caron D. Veynar
Attorney, Agent, or Firm—Barry E. Deutsch

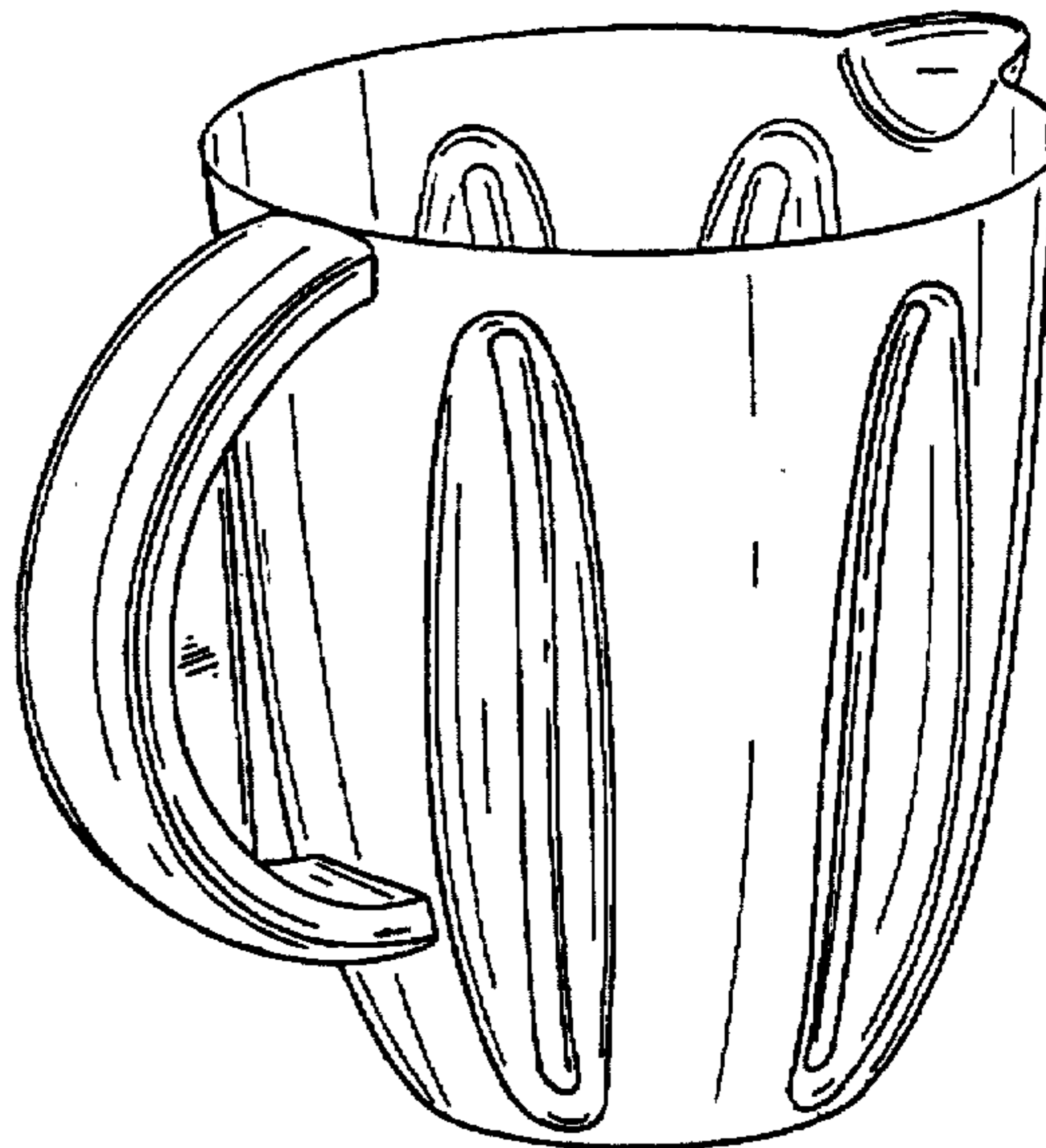
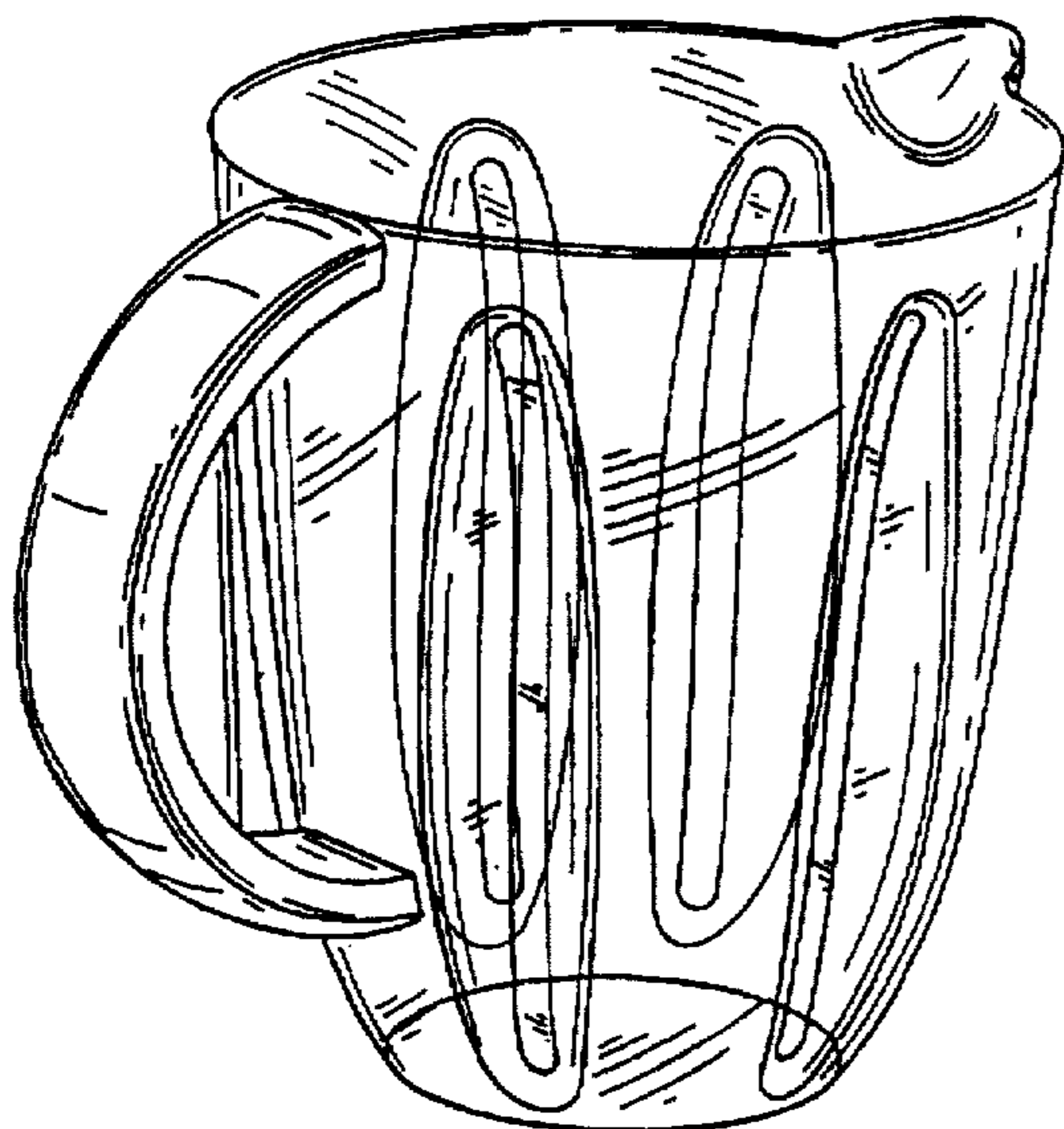
[57] CLAIM

The ornamental design for blender jar, as shown and described.

DESCRIPTION

FIG. 1 is a perspective view of a first embodiment of our new design of a blender jar;
 FIG. 2 is a rear elevational view of the first embodiment of our new design of the blender jar;
 FIG. 3 is a front elevational view of the first embodiment of our new design of the blender jar;
 FIG. 4 is a right side elevational view of the first embodiment of our new design of the blender jar, a left side elevational view of the first embodiment of our new design of the blender jar being a mirror image of the right side elevational view thereof;
 FIG. 5 is a top plan view of the first embodiment of our new design of the blender jar; and,
 FIG. 6 is a bottom plan view of the first embodiment of our new design of the blender jar;
 FIG. 7 is a perspective view of a second embodiment of our new design of a blender jar;
 FIG. 8 is a rear elevational view of the second embodiment of our new design of the blender jar;
 FIG. 9 is a front elevational view of the second embodiment of our new design of the blender jar;
 FIG. 10 is a right side elevational view of the second embodiment of our new design of the blender jar, a left side elevational view of the second embodiment of our new design of the blender jar being a mirror image of the right side elevational view thereof;
 FIG. 11 is a top plan view of the second embodiment of our new design of the blender jar; and,
 FIG. 12 is a bottom plan view of the second embodiment of our new design of the blender jar.

1 Claim, 6 Drawing Sheets



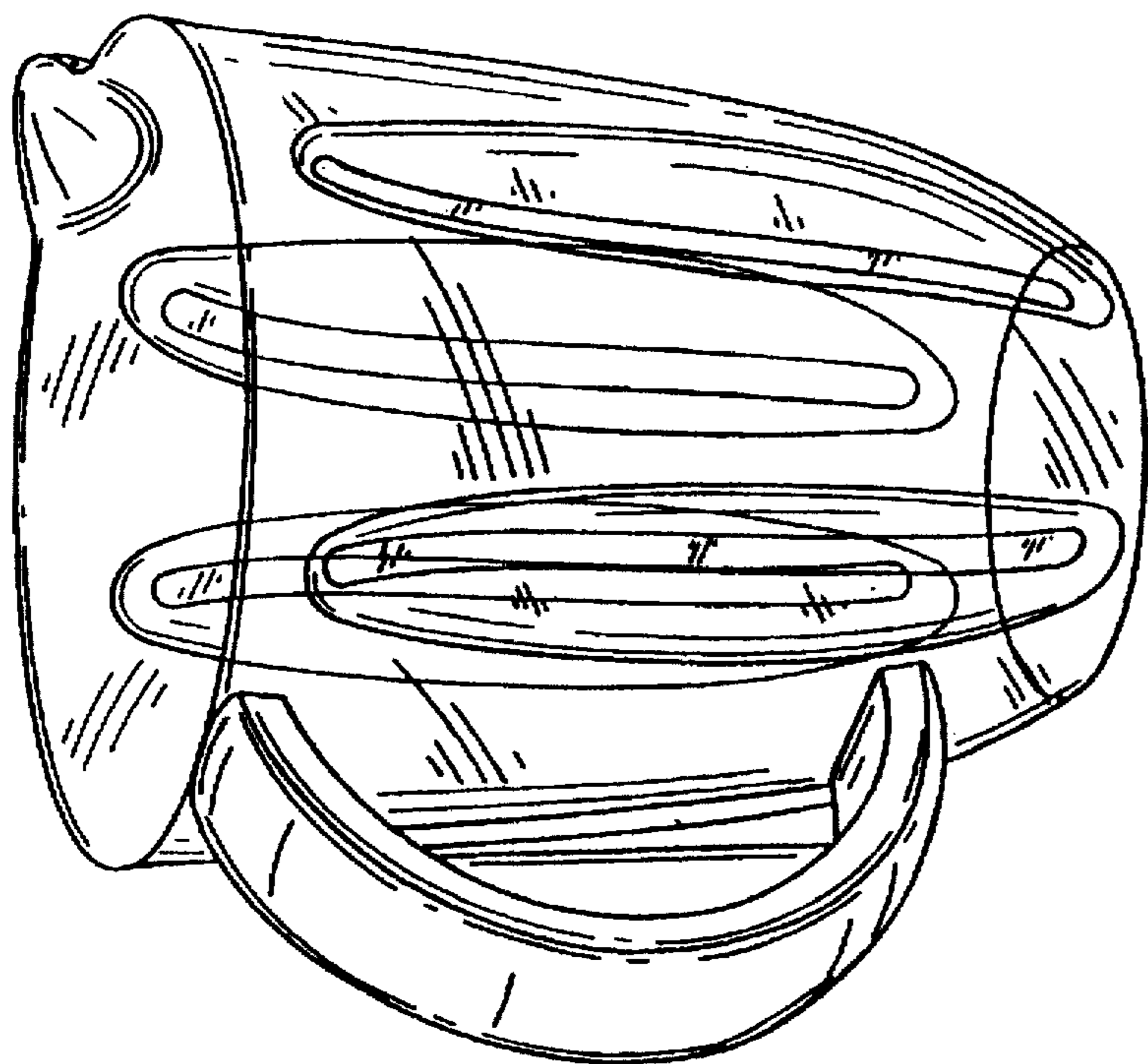


FIG. 1

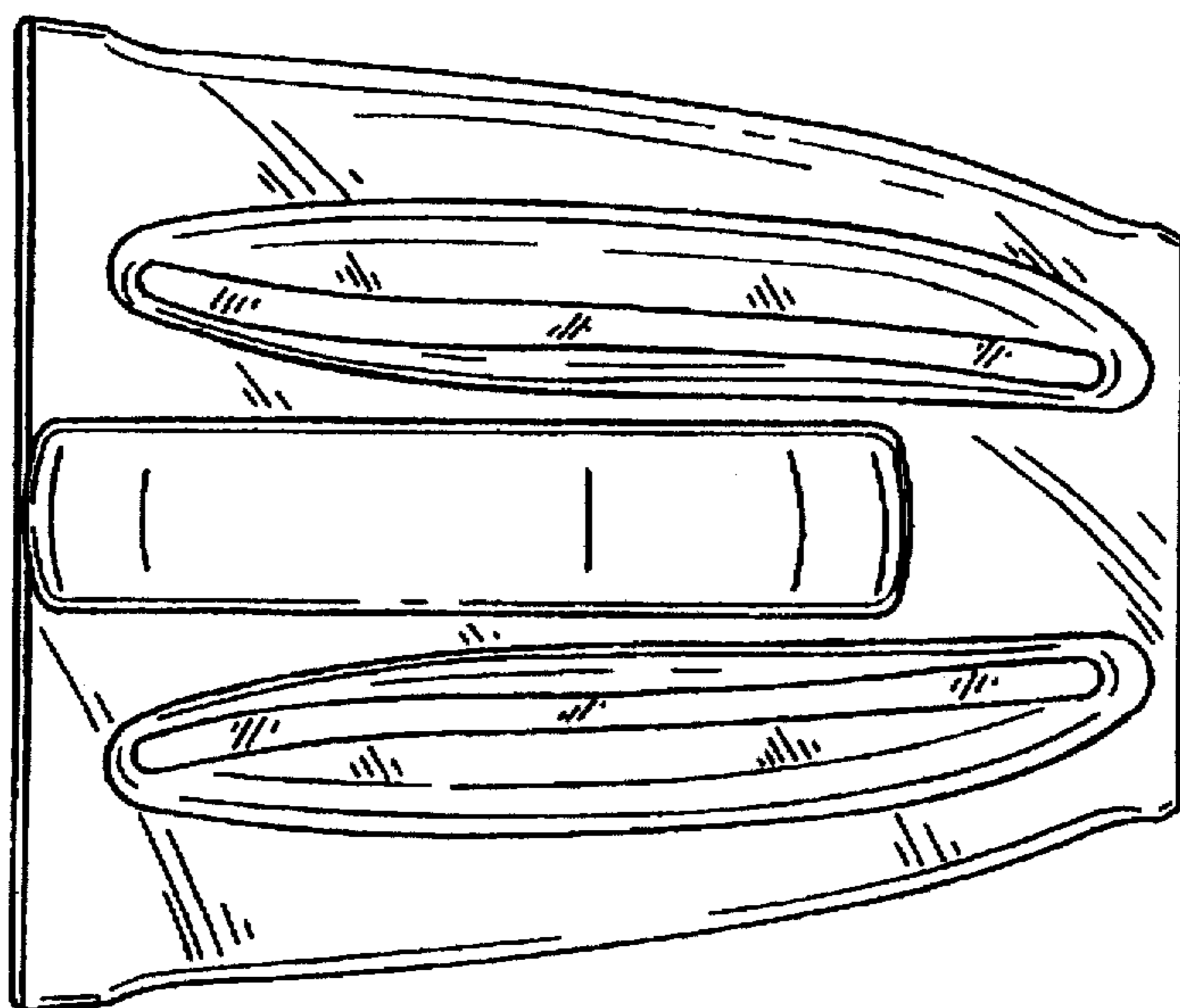


FIG. 2

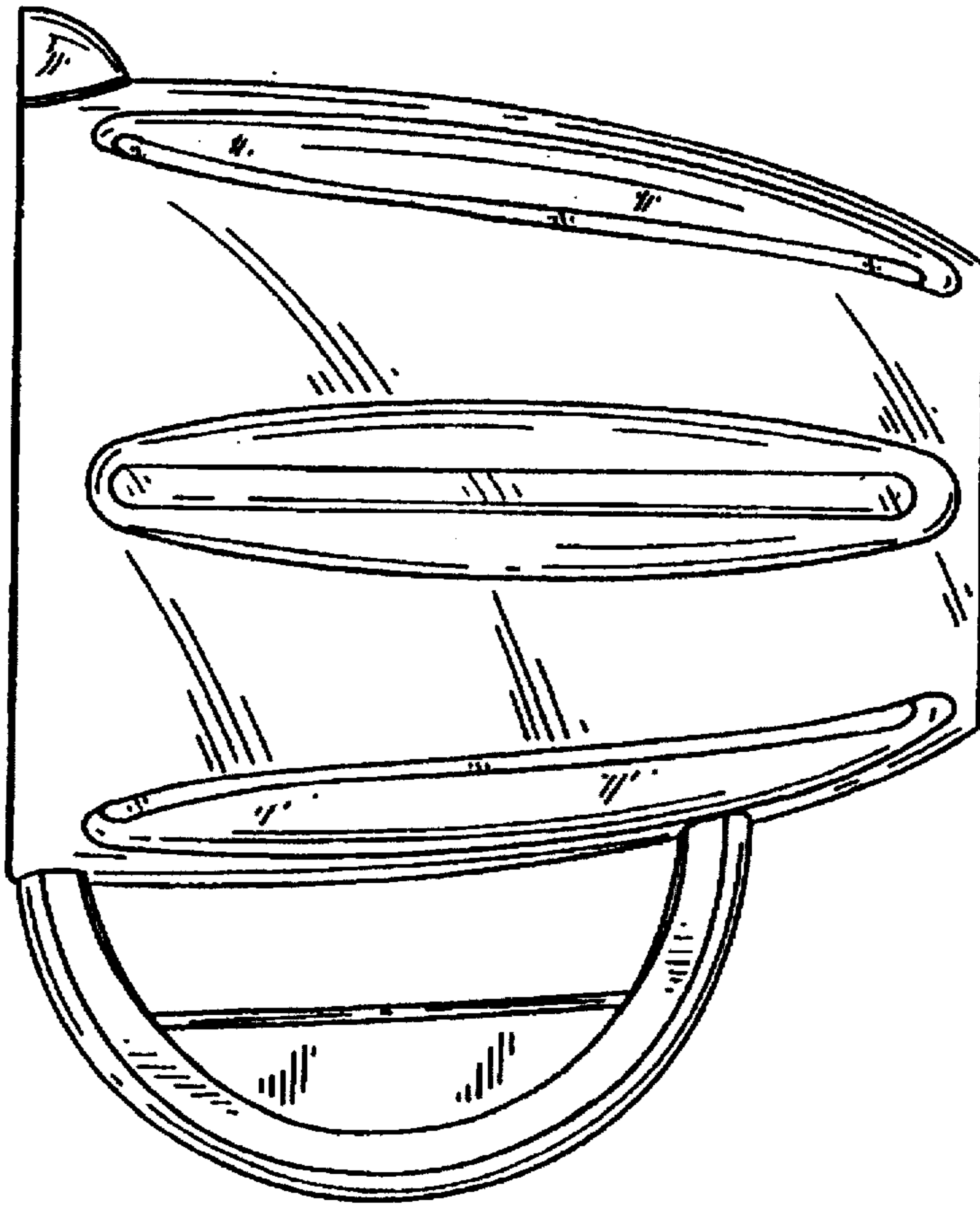


FIG. 4

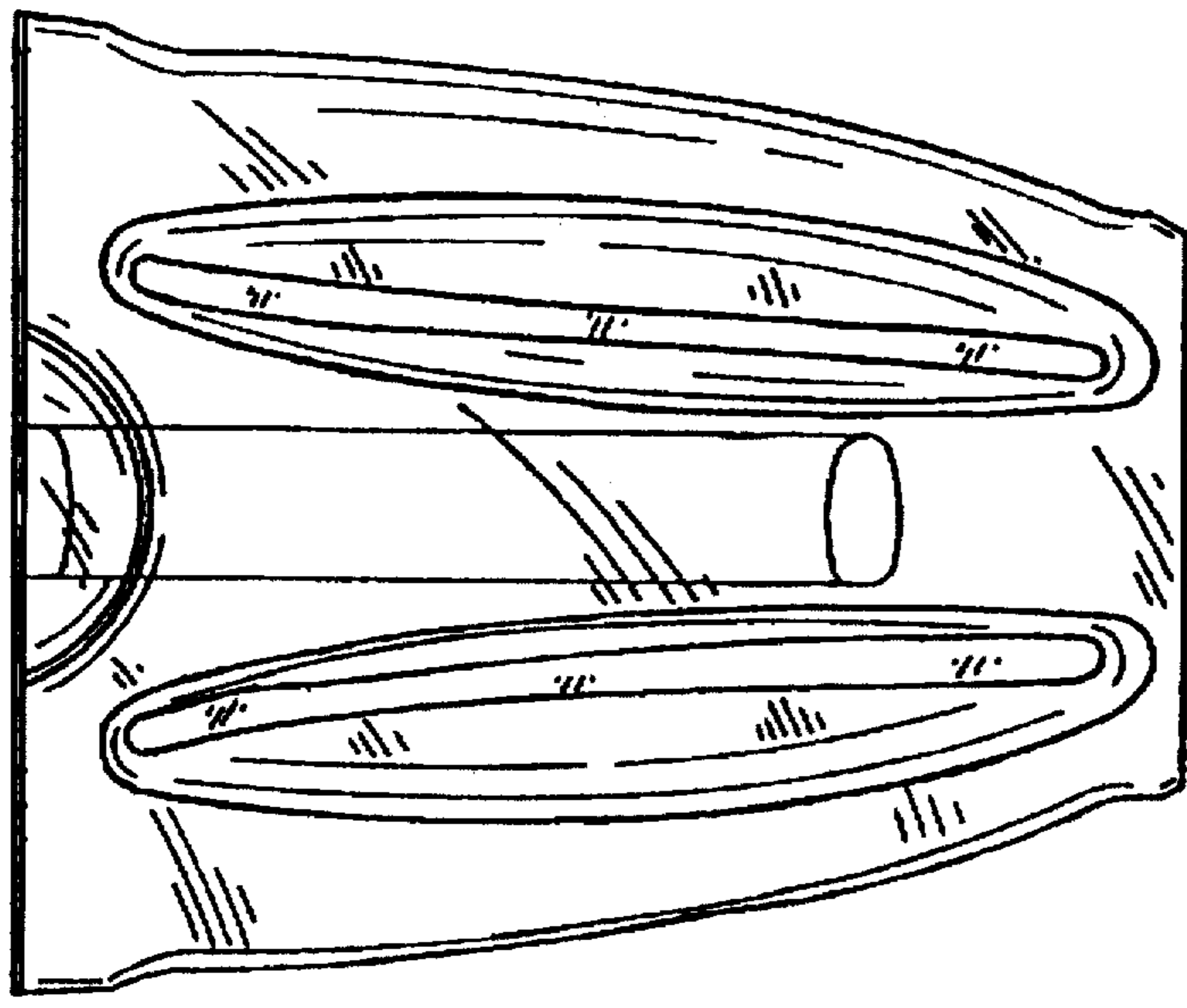


FIG. 3

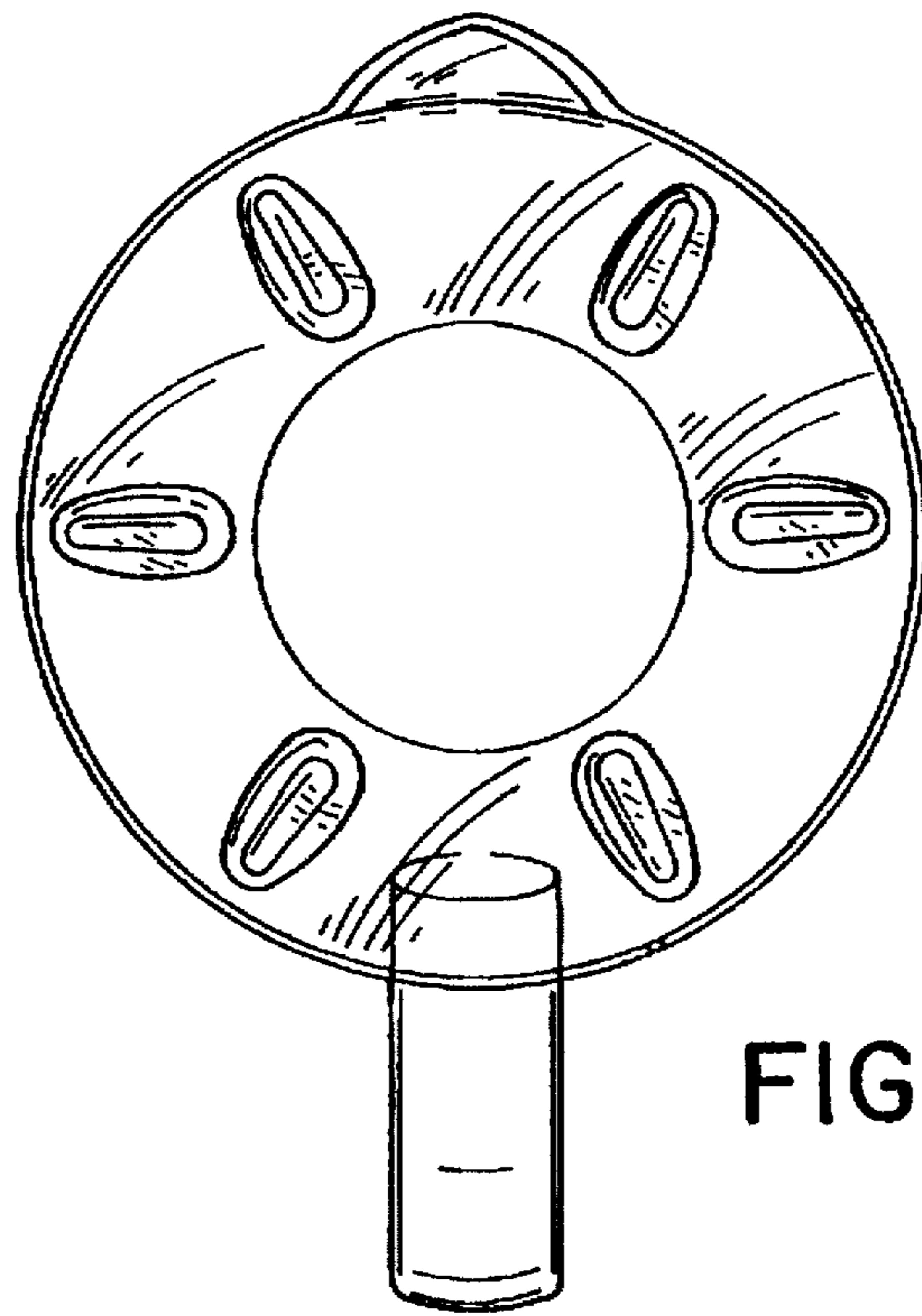


FIG. 5

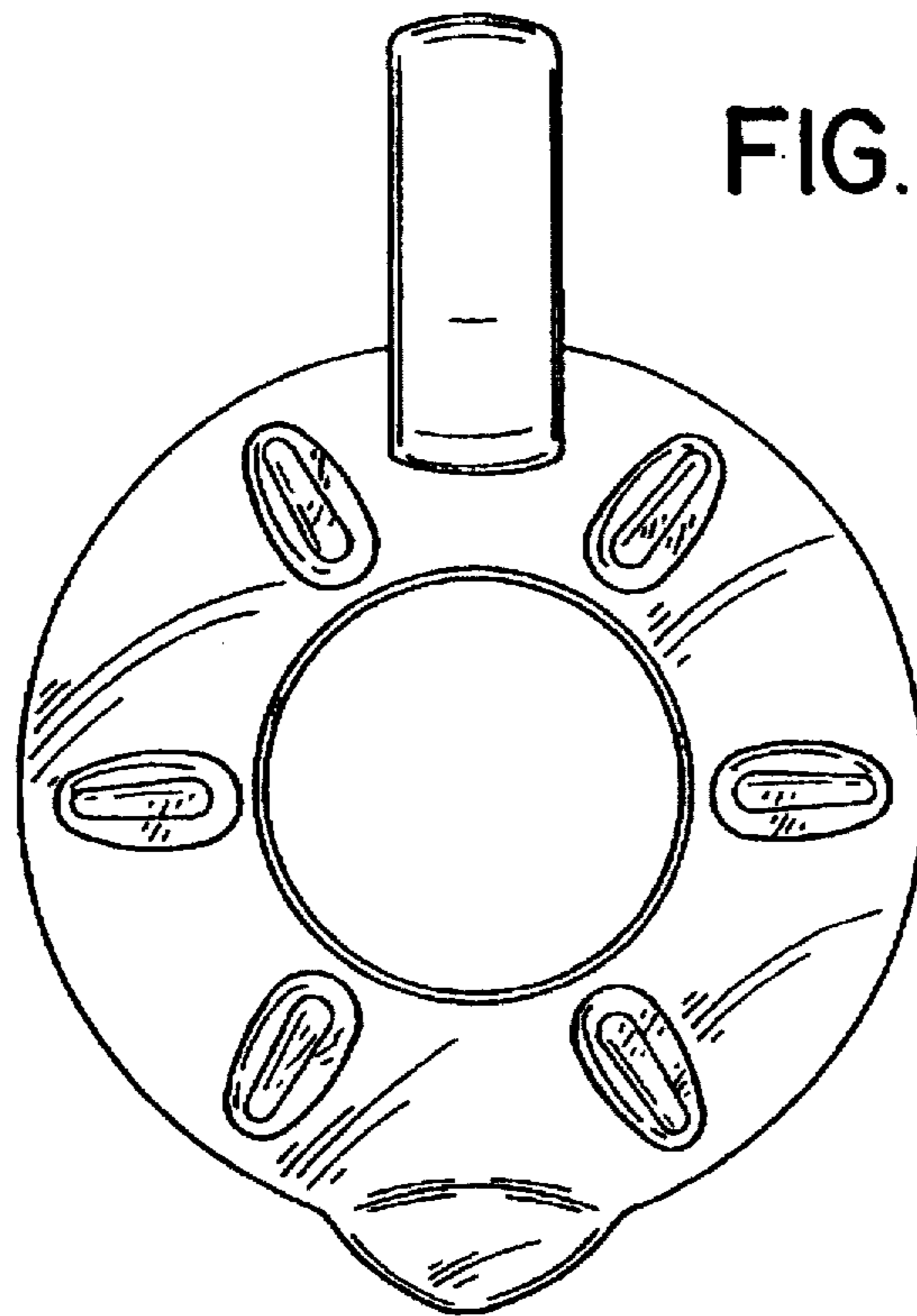


FIG. 6

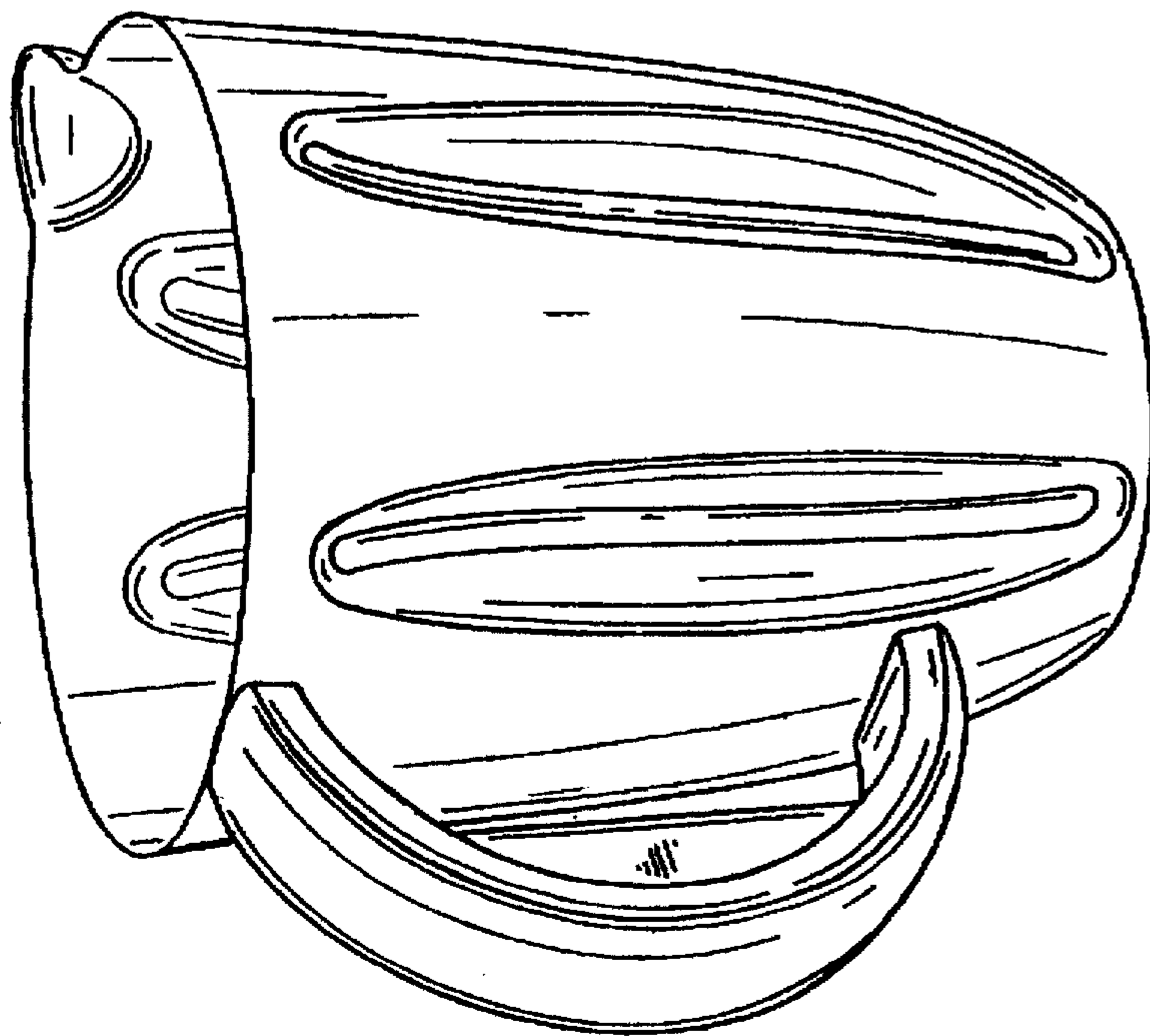


FIG. 7

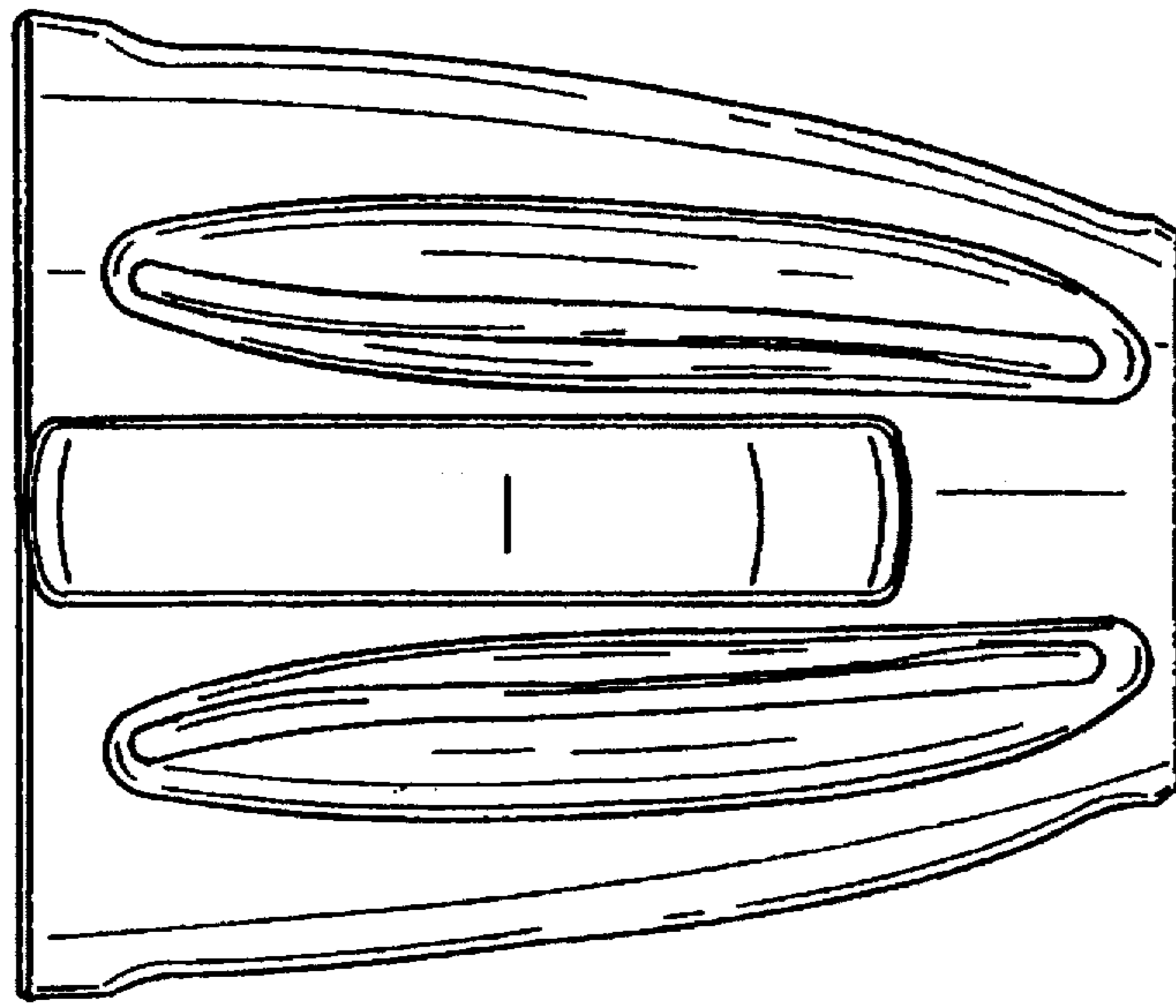


FIG. 8

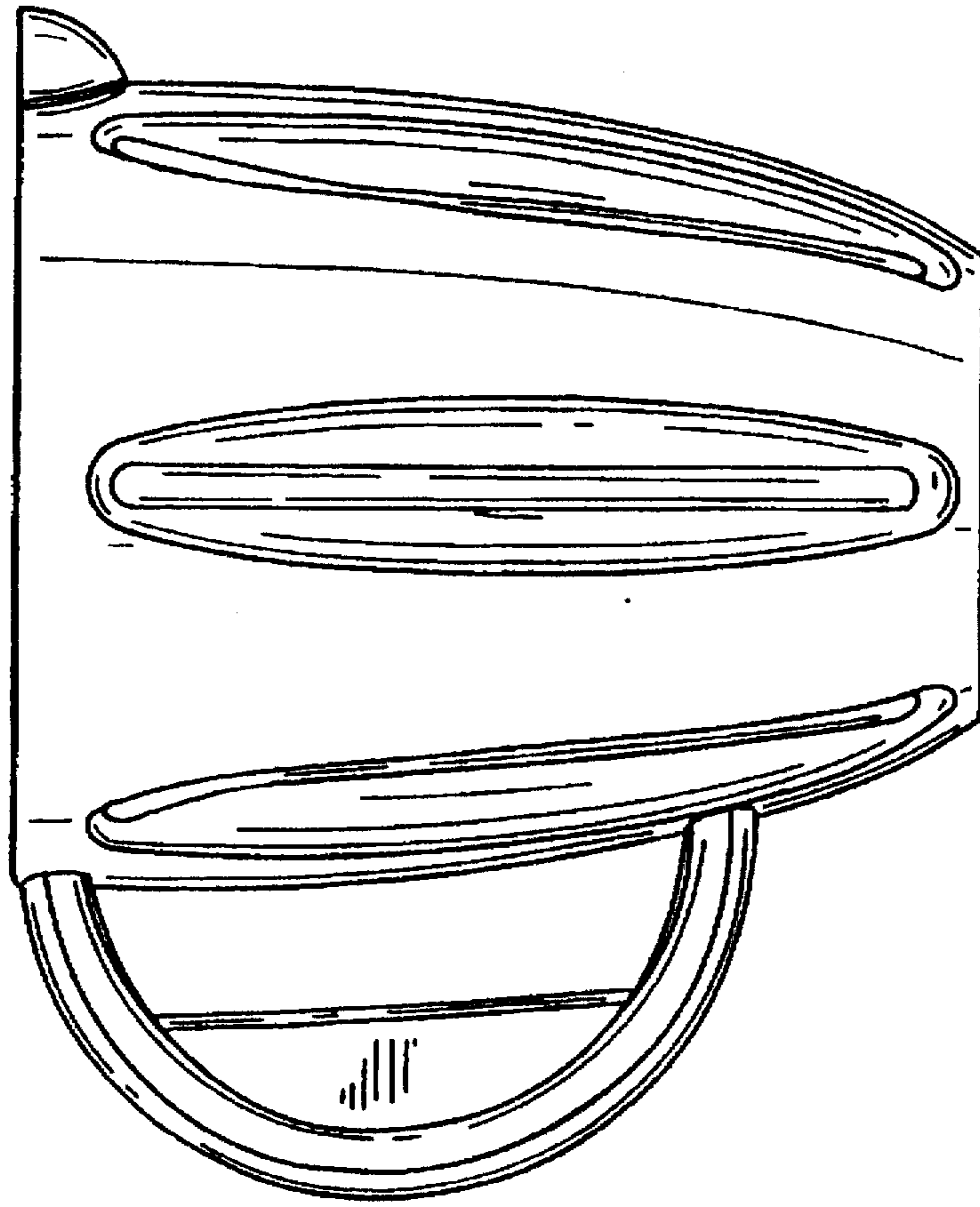


FIG. 9

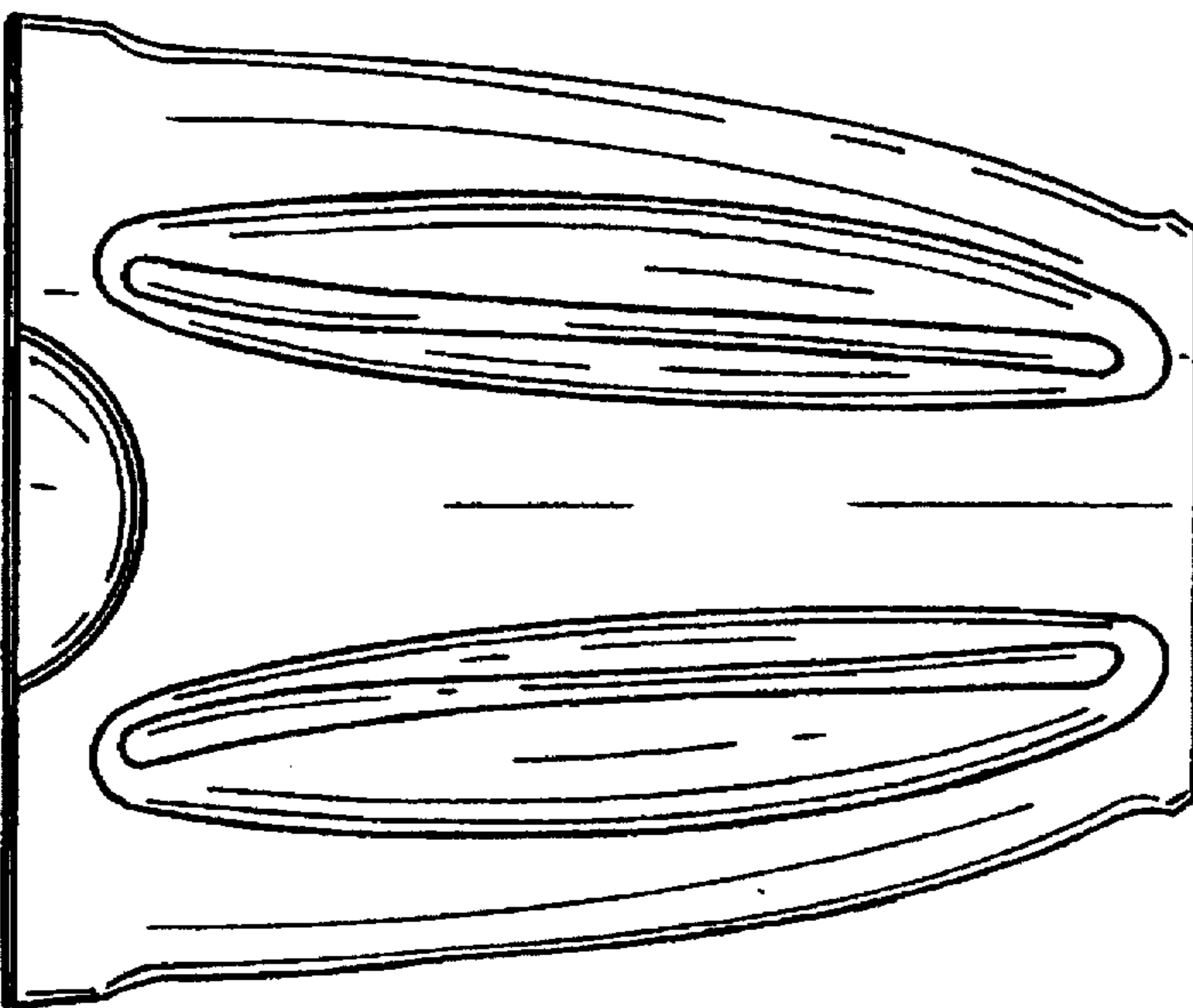


FIG. 10

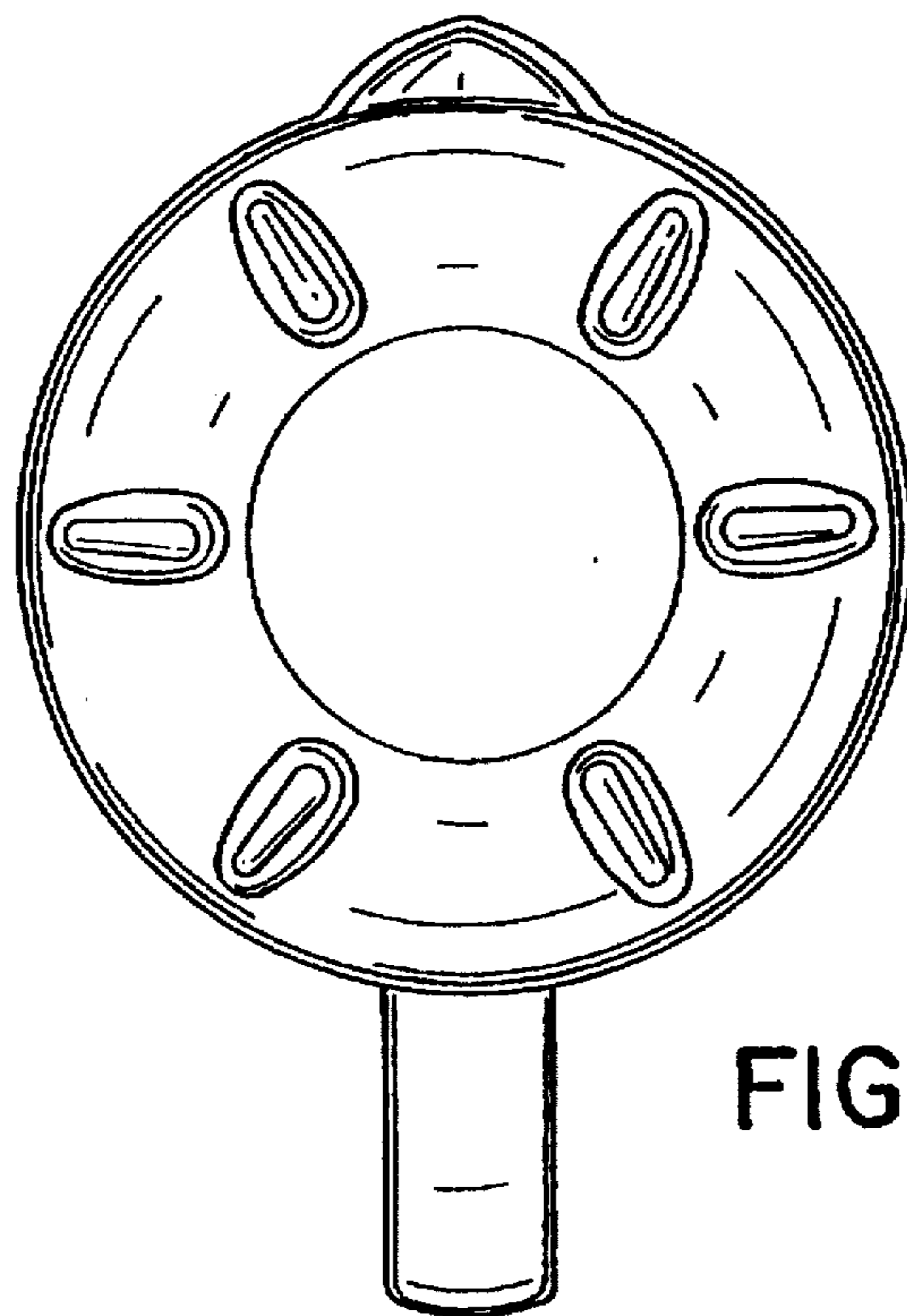


FIG. 11

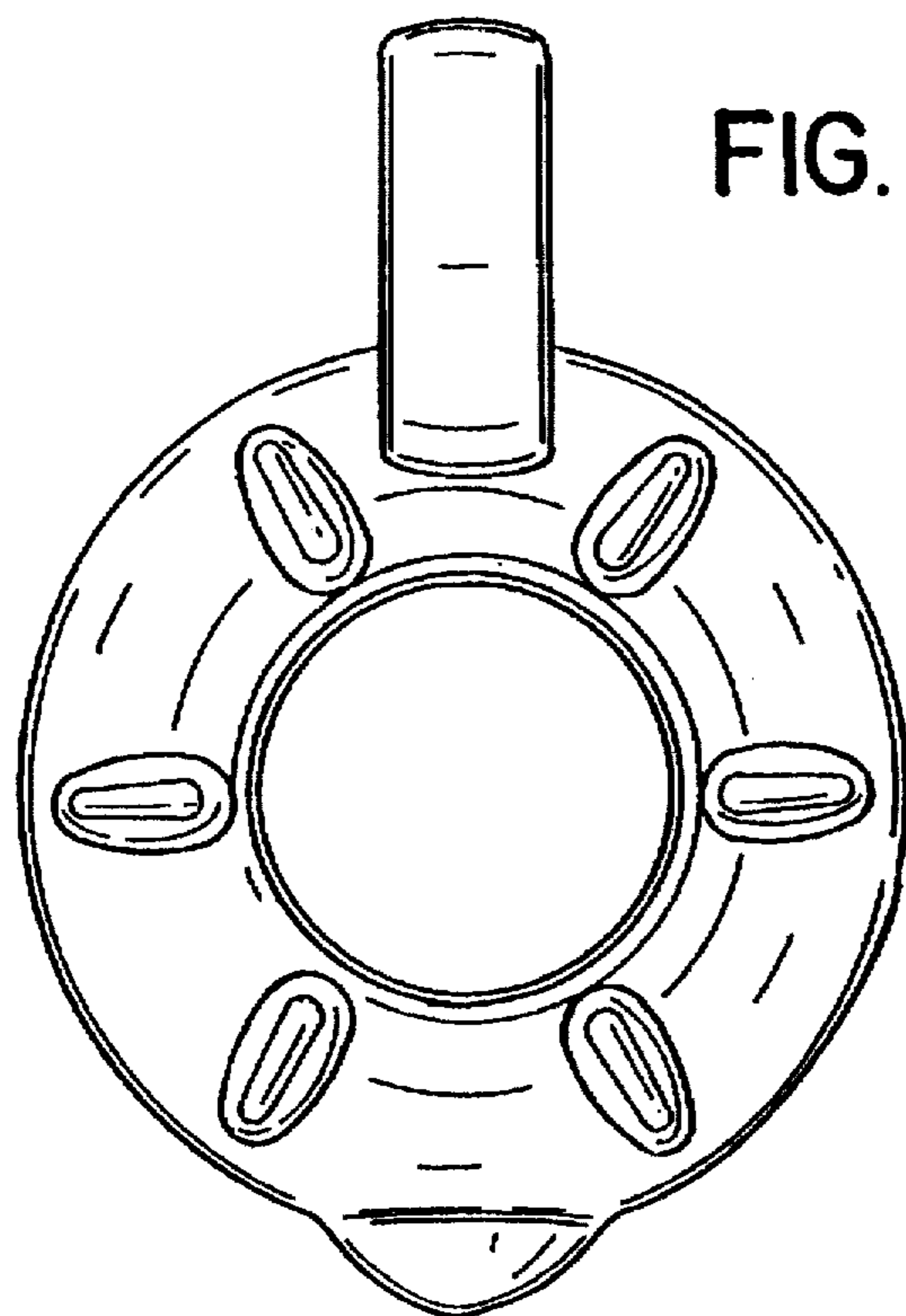


FIG. 12