



US00D390398S

United States Patent [19]

Baker et al.

[11] Patent Number: **Des. 390,398**

[45] Date of Patent: ****Feb. 10, 1998**

[54] **PRODUCT DISPLAY HANGER**

[75] Inventors: **D. Michael Baker**, Louisville, Ky.;
Archer D. Wright, Glen Allen, Va.

[73] Assignee: **Credo Tool Company**, Woodburn,
Oreg.

[**] Term: **14 Years**

[21] Appl. No.: **60,545**

[22] Filed: **Sep. 30, 1996**

[51] **LOC (6) Cl.** **08-08**

[52] **U.S. Cl.** **D6/566**

[58] **Field of Search** D6/512-514, 552,
D6/553, 566, 567, 569-572; 211/10, 13.1,
30, 32, 45, 48, 70.6, 70.7, 86, 87, 54.1,
181.1; 248/205.1, 214, 218.1, 218.4, 220.21,
302, 309.1, 309.2, 317

[56] **References Cited**

U.S. PATENT DOCUMENTS

D. 282,326 1/1986 Bell D6/566

D. 294,098 2/1988 Mayo D6/566
D. 313,916 1/1991 Ballard D6/553 X
D. 317,992 7/1991 Miller D6/566
4,366,906 1/1983 Joyce 248/309.1 X

Primary Examiner—Brian N. Vinson
Attorney, Agent, or Firm—Polster, Lieder, Woodruff &
Lucchesi

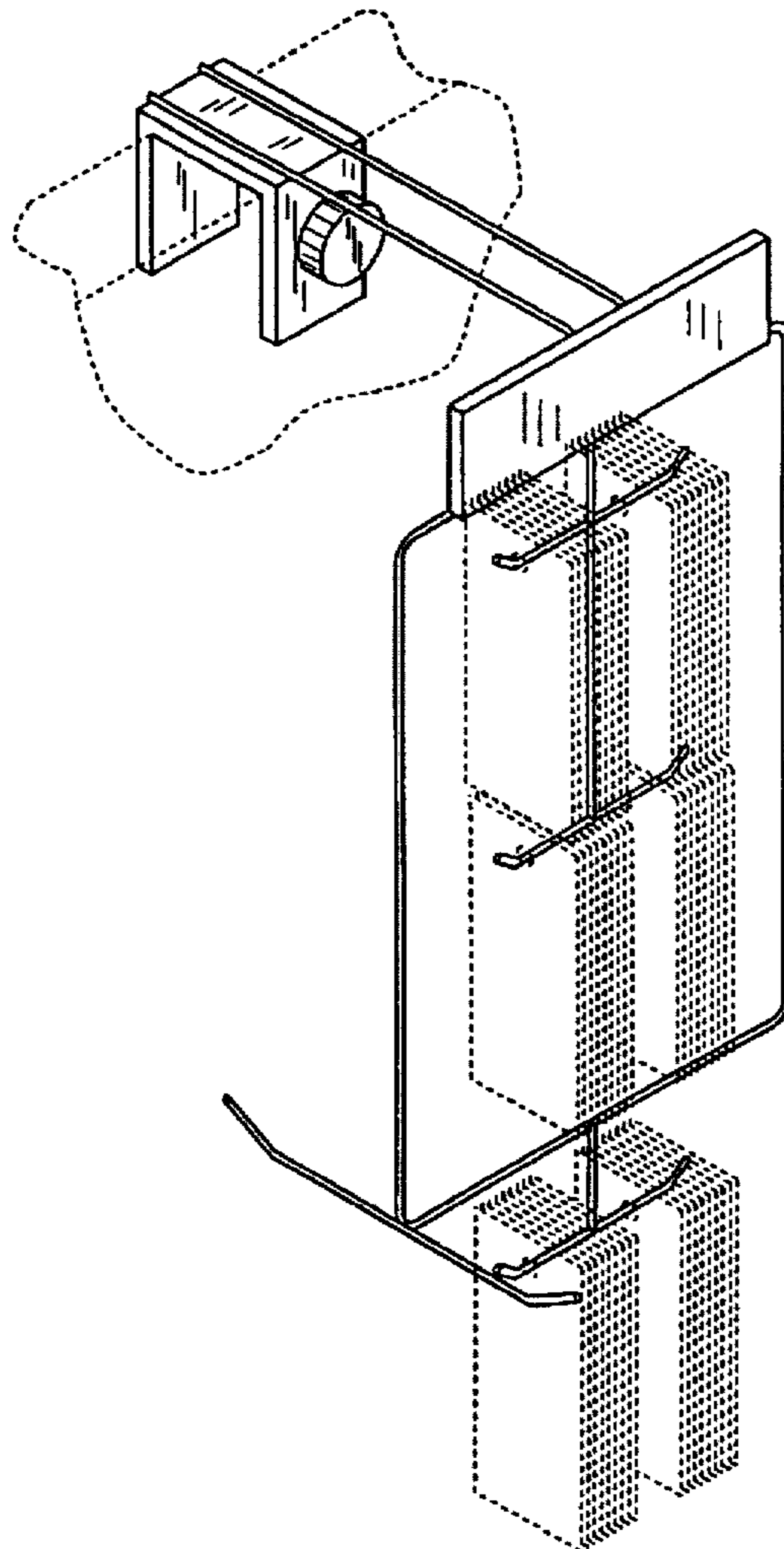
[57] **CLAIM**

The ornamental design for a product display hanger, as shown and described.

DESCRIPTION

FIG. 1 is a top, front, and left side perspective view of a product display hanger showing our new design, the broken-line disclosure being for illustrative purposes only and forming no part of the claimed design;
FIG. 2 is a front elevational view thereof;
FIG. 3 is a rear elevational view thereof;
FIG. 4 is a left side elevational view thereof;
FIG. 5 is a right side elevational view thereof;
FIG. 6 is a top plan view thereof; and,
FIG. 7 is a bottom plan view thereof;

1 Claim, 2 Drawing Sheets



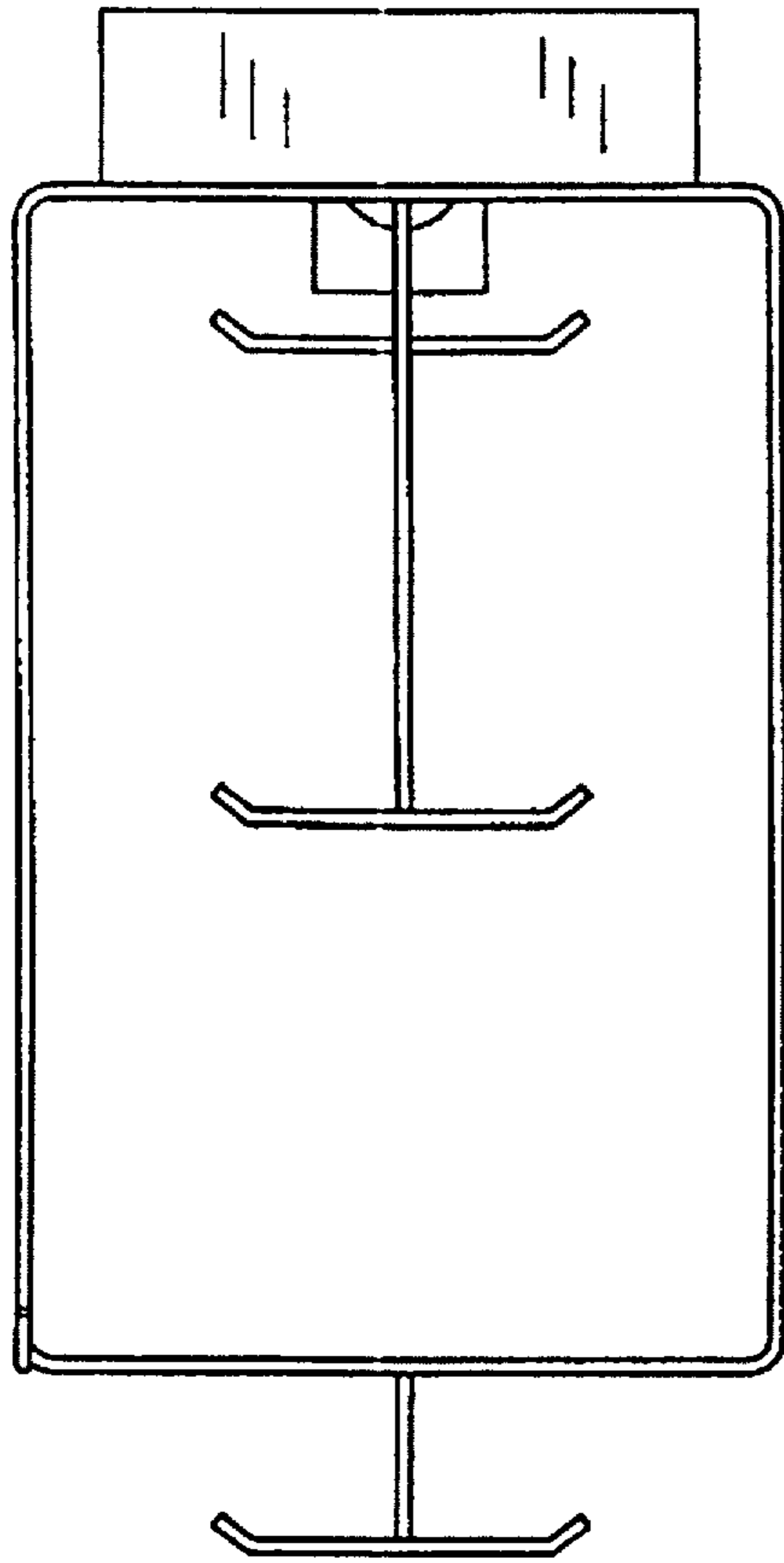


FIG. 2

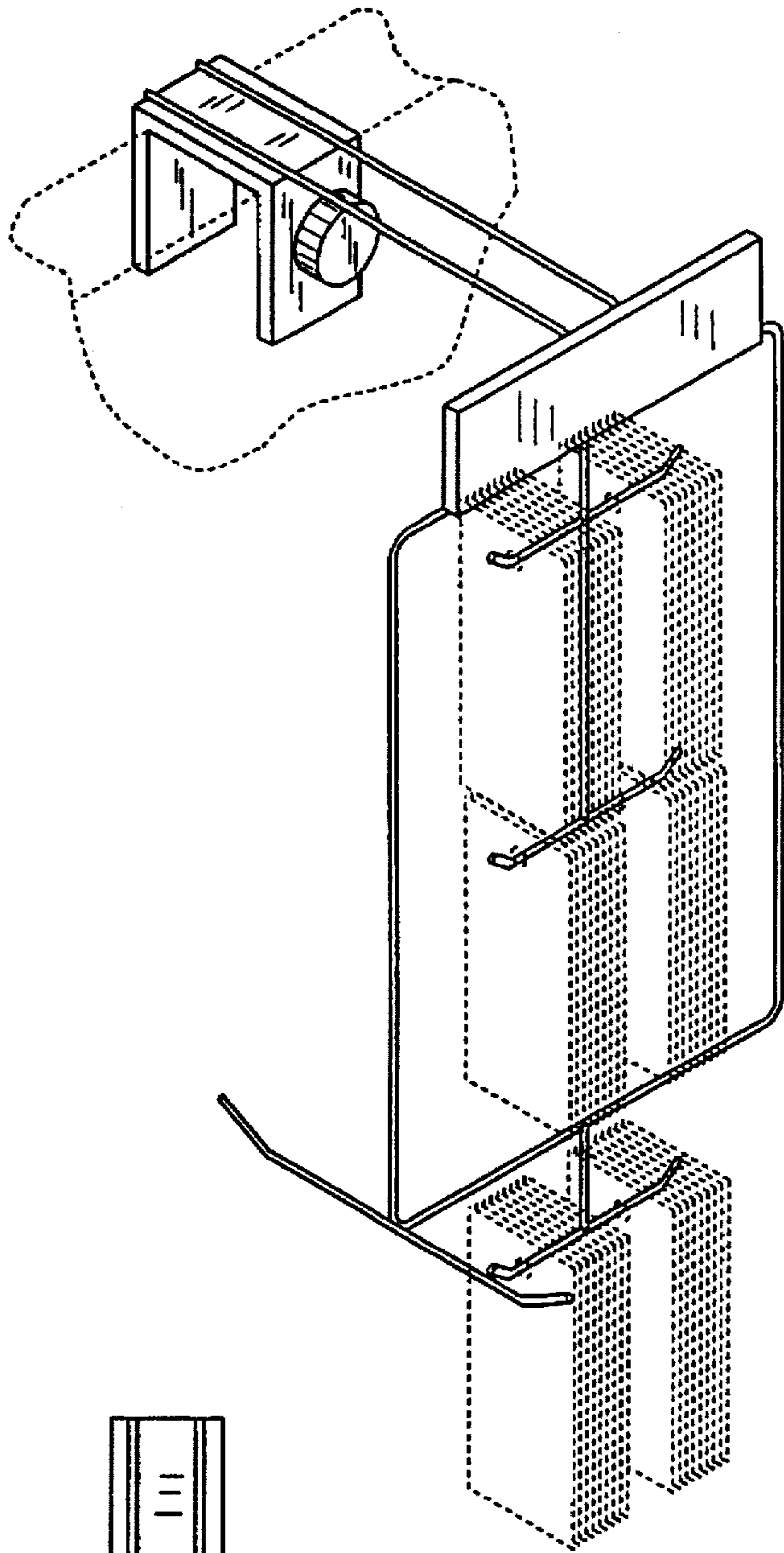


FIG. 1

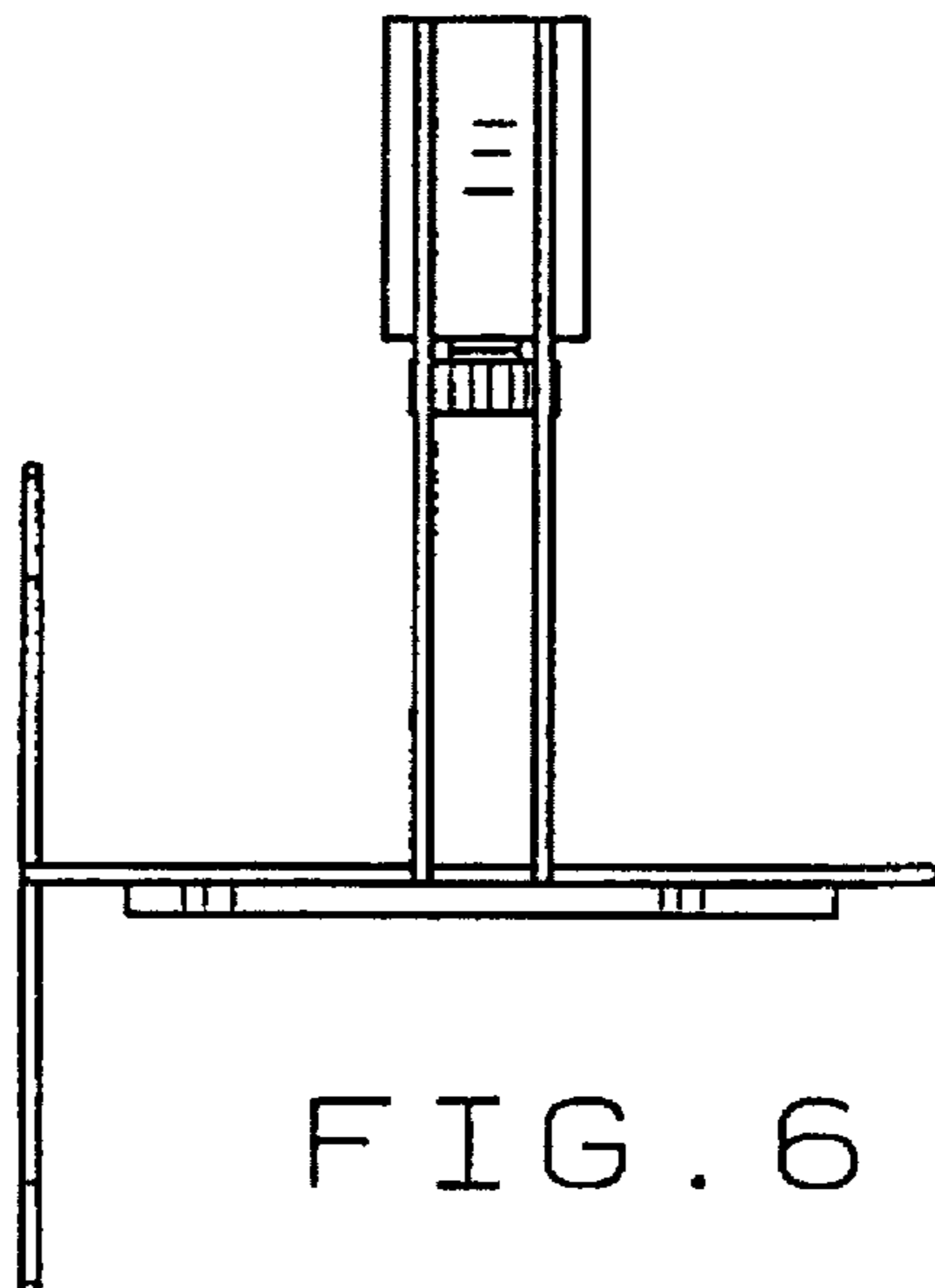


FIG. 6

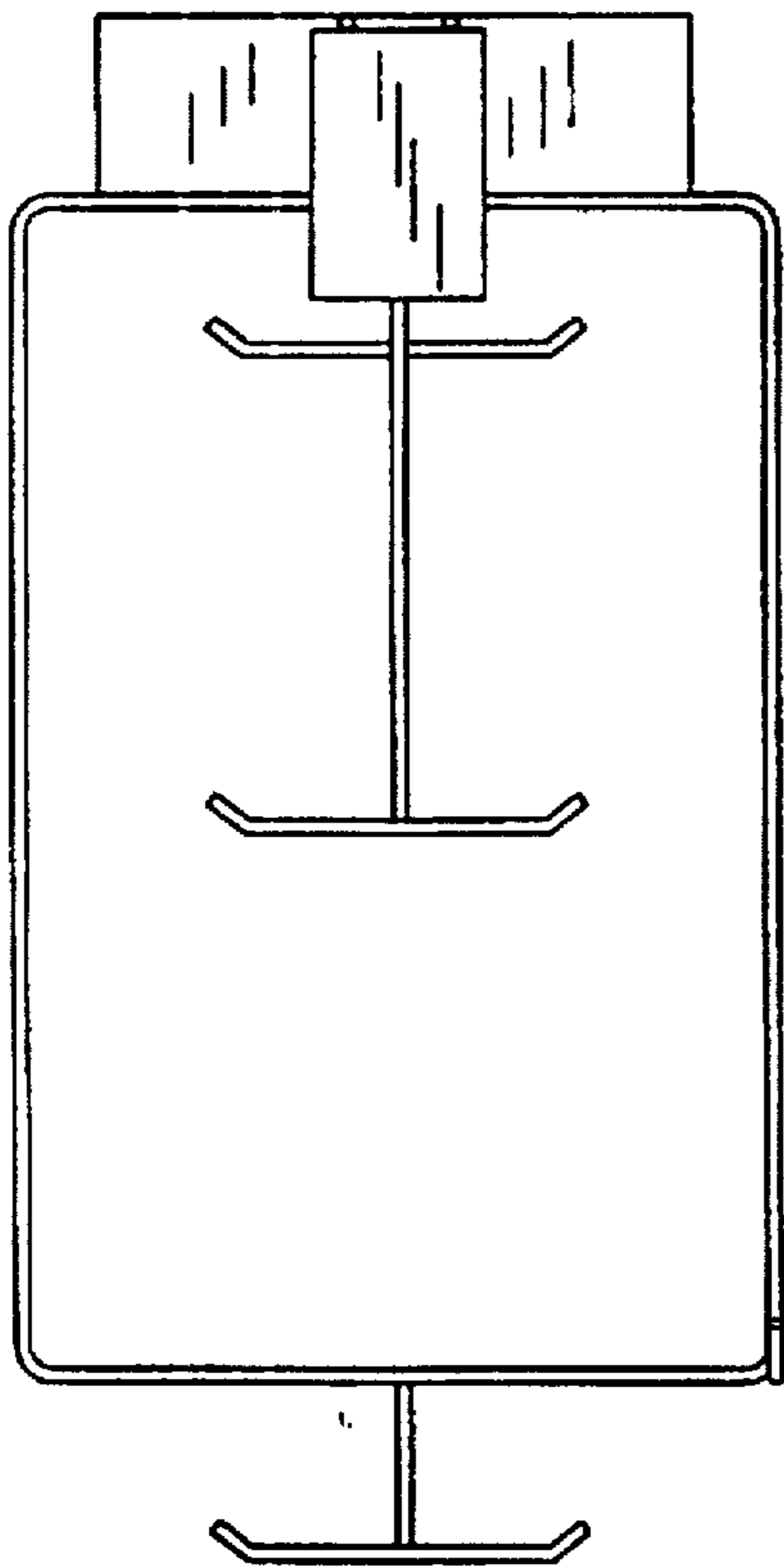


FIG. 3

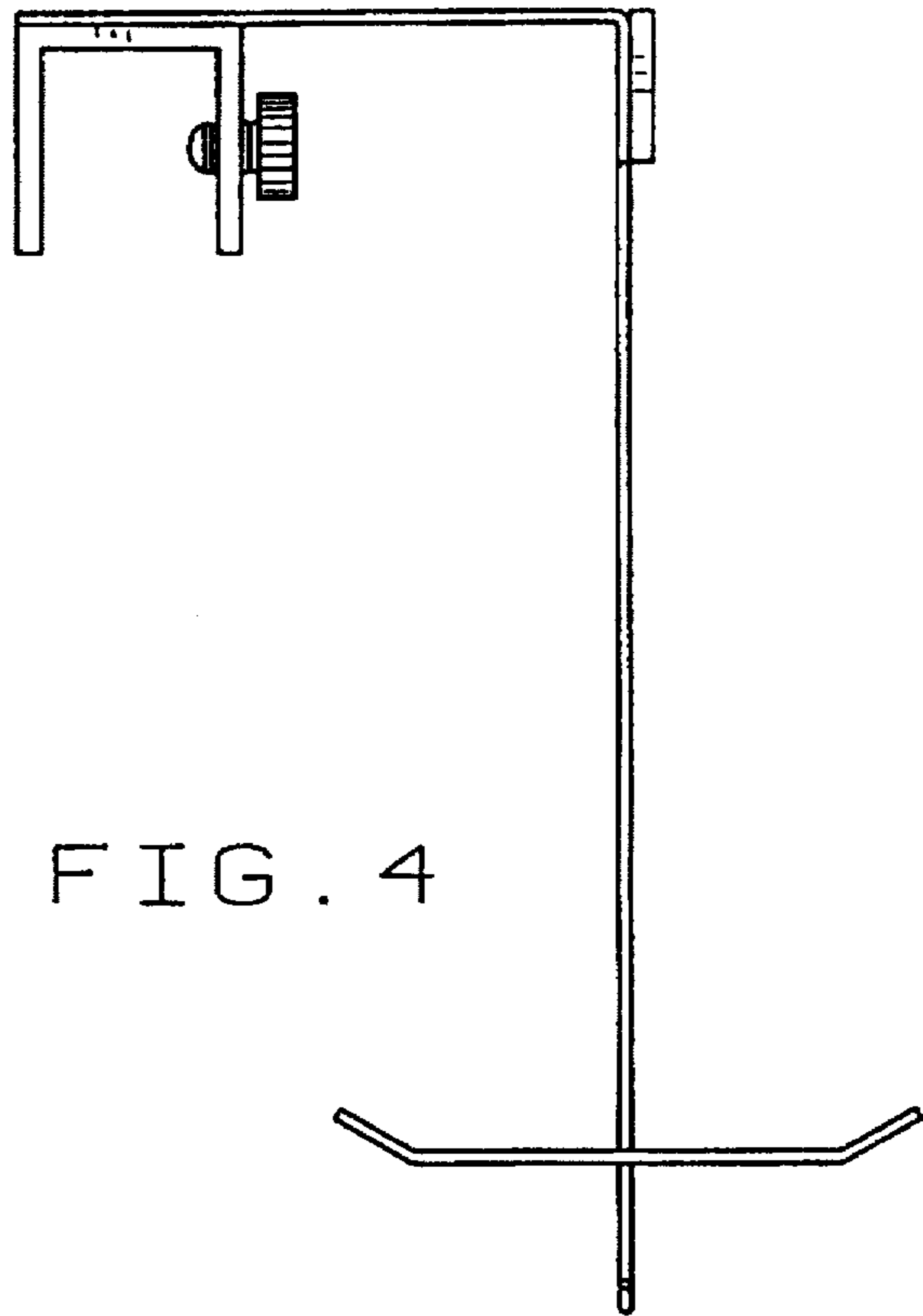


FIG. 4

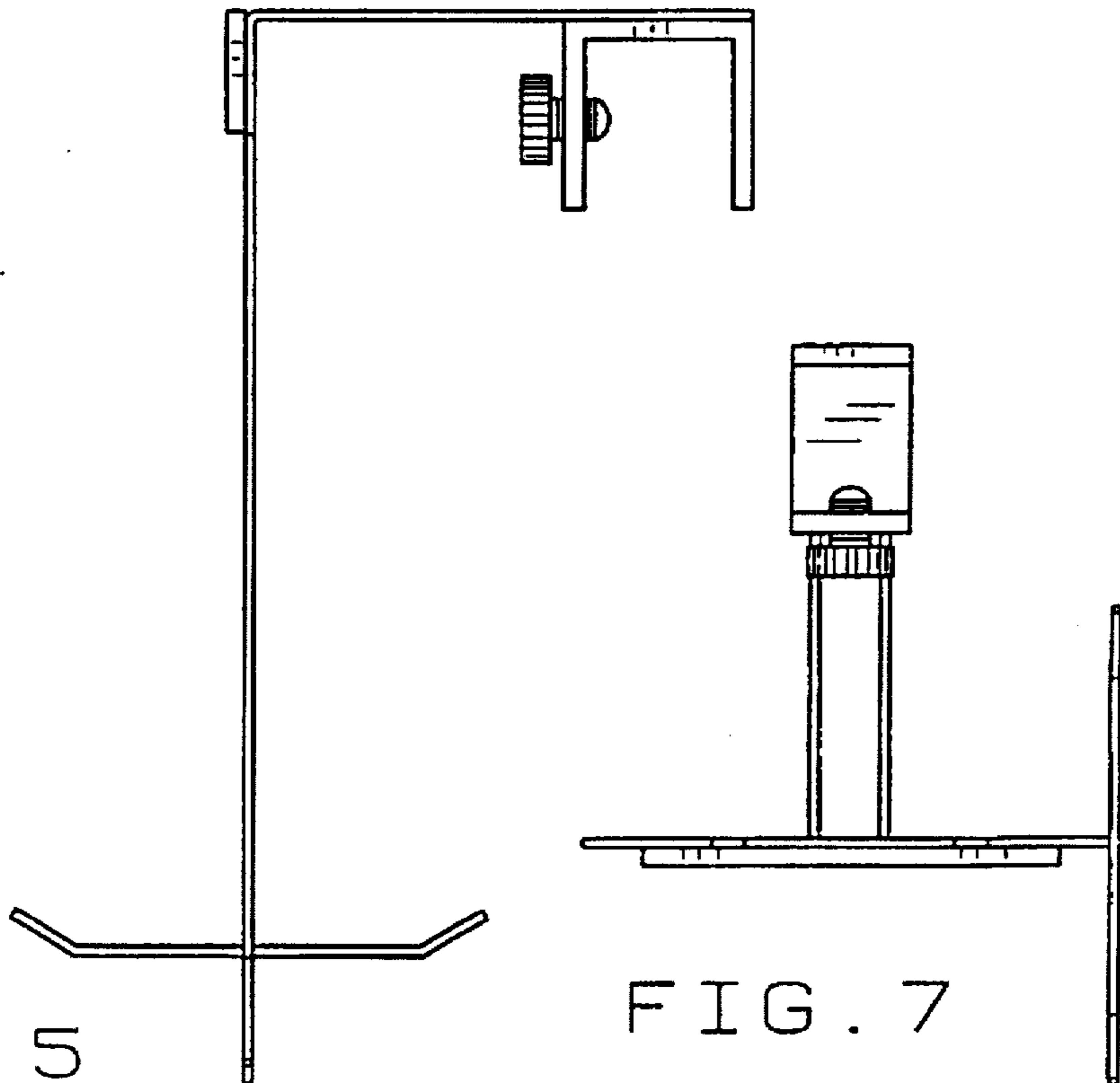


FIG. 5

FIG. 7