



US00D390395S

United States Patent [19]
Forcella, Jr.

[11] **Patent Number: Des. 390,395**
[45] **Date of Patent: **Feb. 10, 1998**

[54] **SOAP HOLDER**

3,054,212 9/1962 Morris 206/77.1 X
4,577,751 3/1986 St-Jacques 206/77.1

[76] **Inventor: Albert S. Forcella, Jr., 504 S. Florida Ave., #212, Tarpon Springs, Fla. 34689**

Primary Examiner—Brian N. Vinson
Attorney, Agent, or Firm—James E. Larson; Larson & Larson, P.A.

[**] **Term: 14 Years**

[21] **Appl. No.: 68,879**

[57] **CLAIM**

[22] **Filed: Apr. 3, 1997**

The ornamental design for a soap holder, as shown and described.

[51] **LOC (6) Cl. 07-07**

DESCRIPTION

[52] **U.S. Cl. D6/545**

[58] **Field of Search D6/536-540; 211/13.1, 211/71, 86-88, 90; 206/77.1**

FIG. 1 is an isometric view of my soap holder showing my new design;

FIG. 2 is a front view thereof;

FIG. 3 is a rear view thereof;

FIG. 4 is a left side elevational view thereof;

FIG. 5 is a right side elevational view thereof;

FIG. 6 is a top plan view thereof; and,

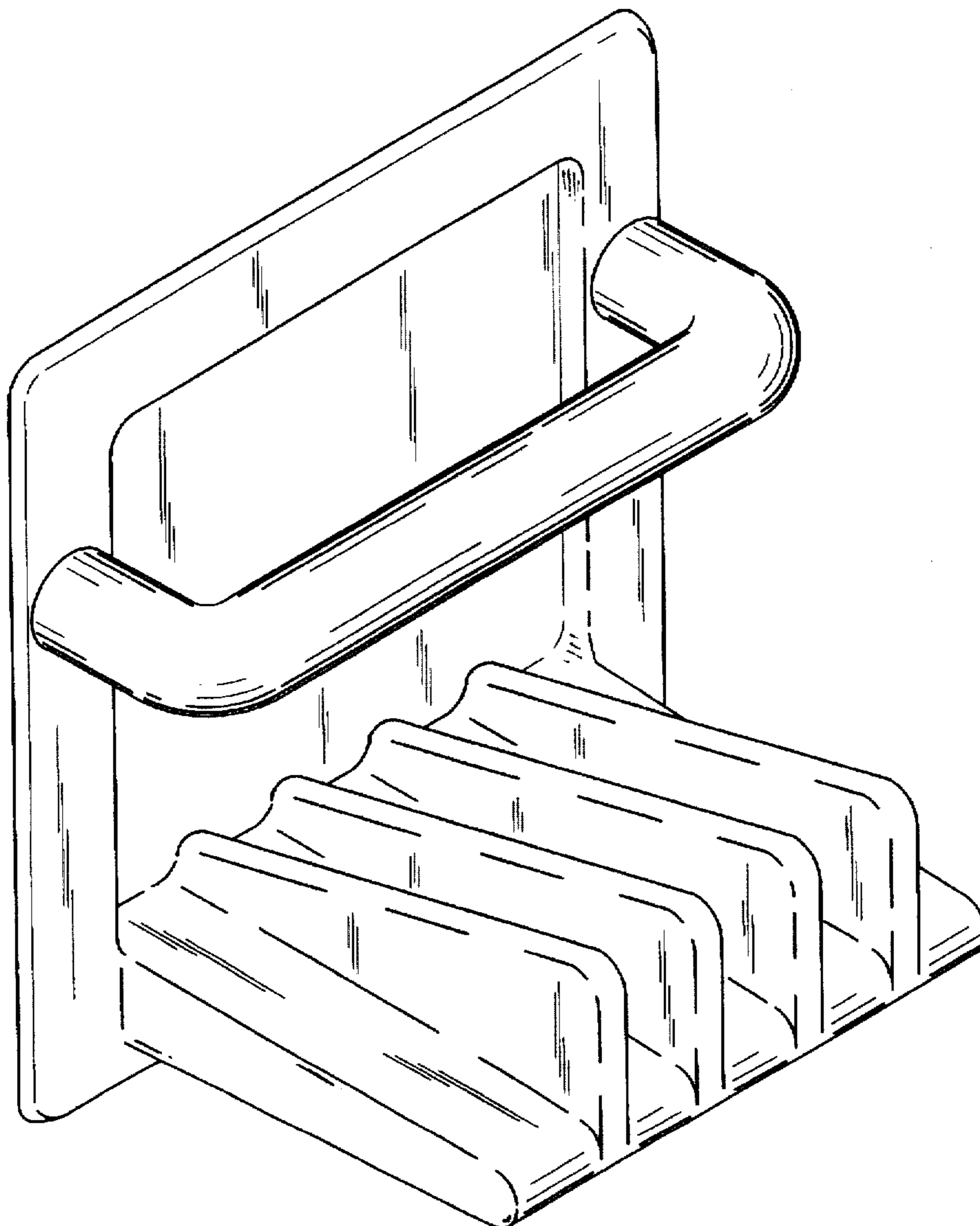
FIG. 7 is a bottom plan view thereof.

[56] **References Cited**

U.S. PATENT DOCUMENTS

D. 151,211	10/1948	Bradbury	D6/540
D. 259,374	6/1981	Crowe	D6/540
D. 293,988	2/1988	Tegner	D6/540
2,175,753	10/1939	Guthmann	D6/540 X

1 Claim, 5 Drawing Sheets



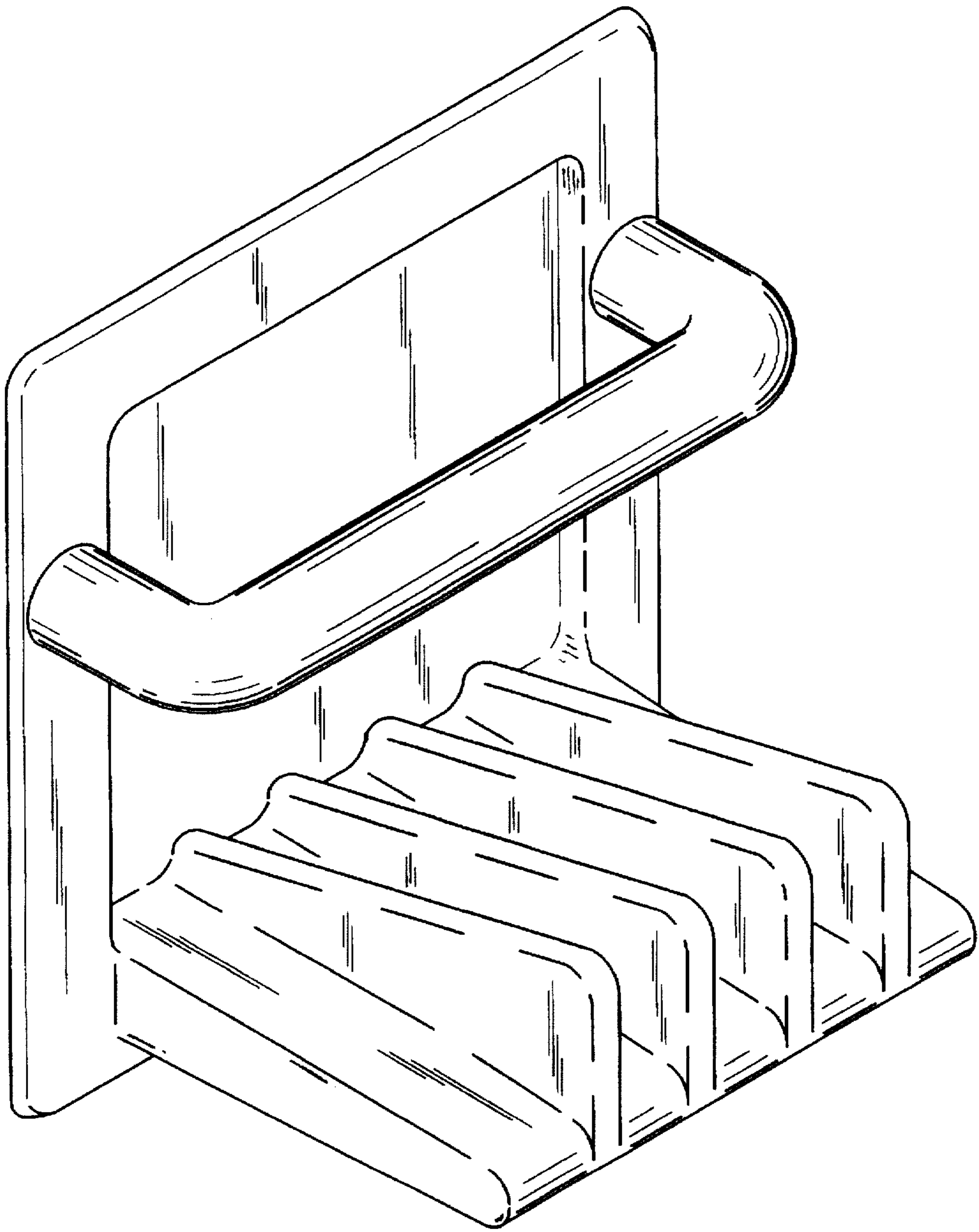


Fig. 1

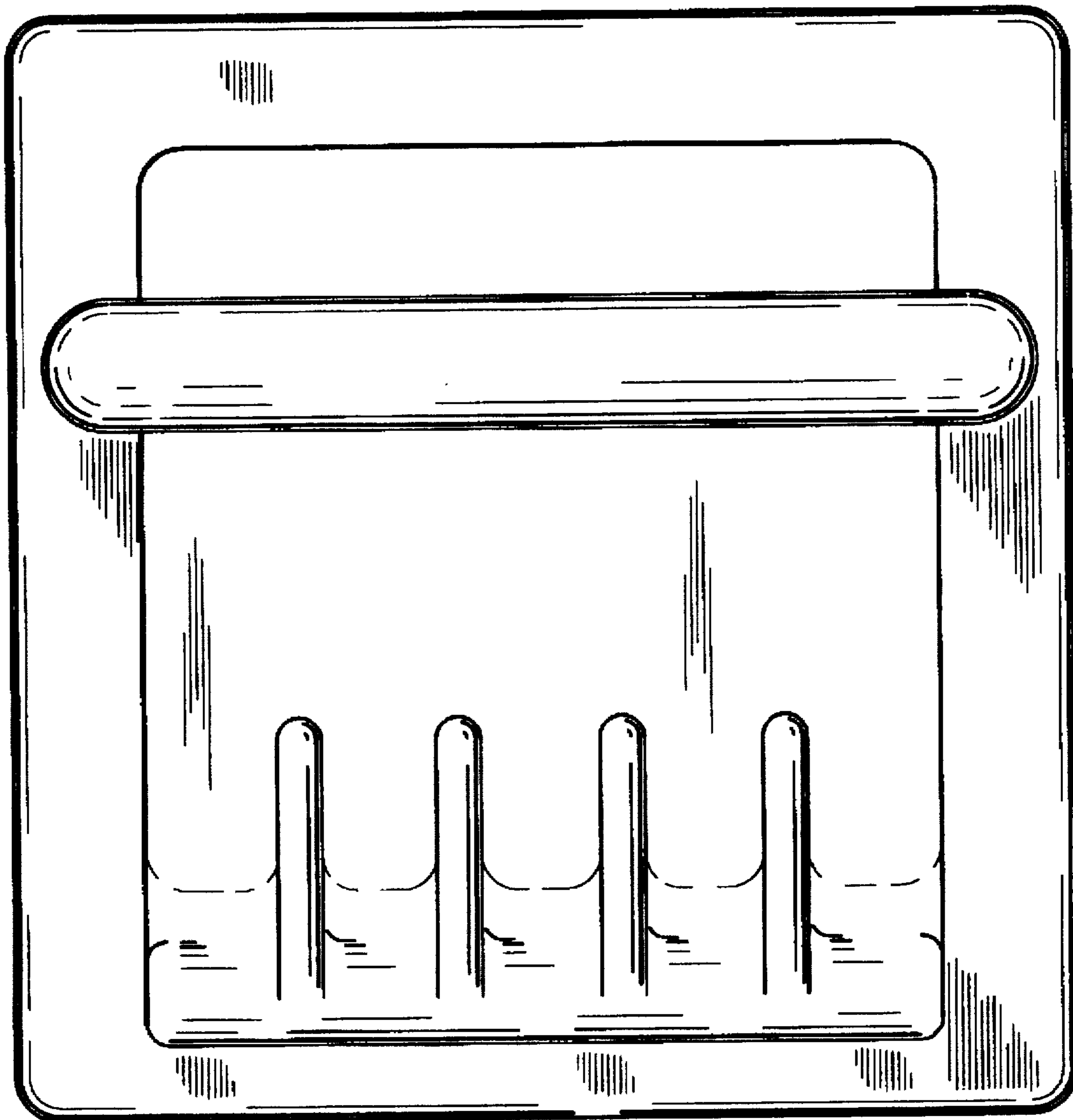


Fig. 2

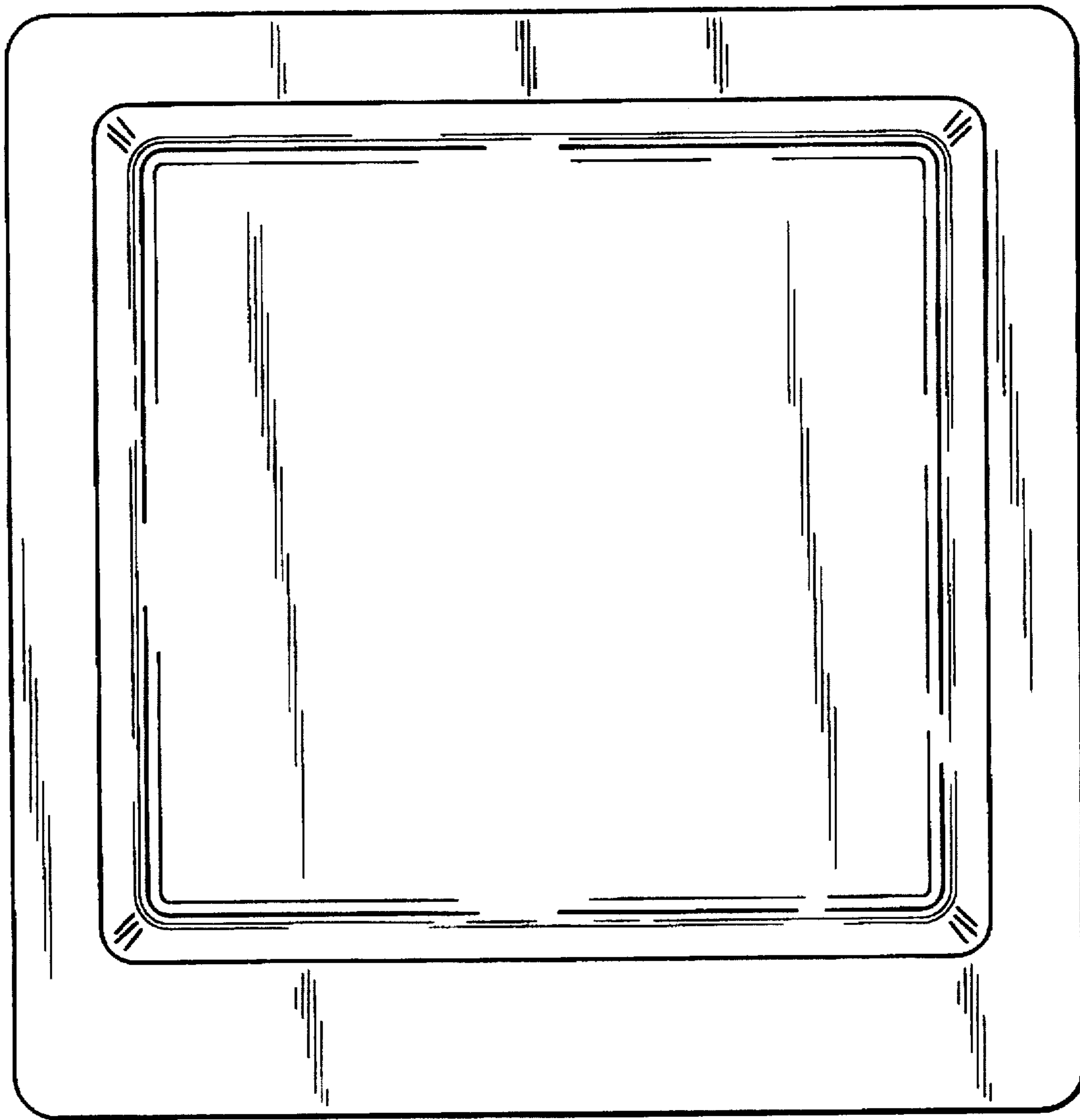


Fig. 3

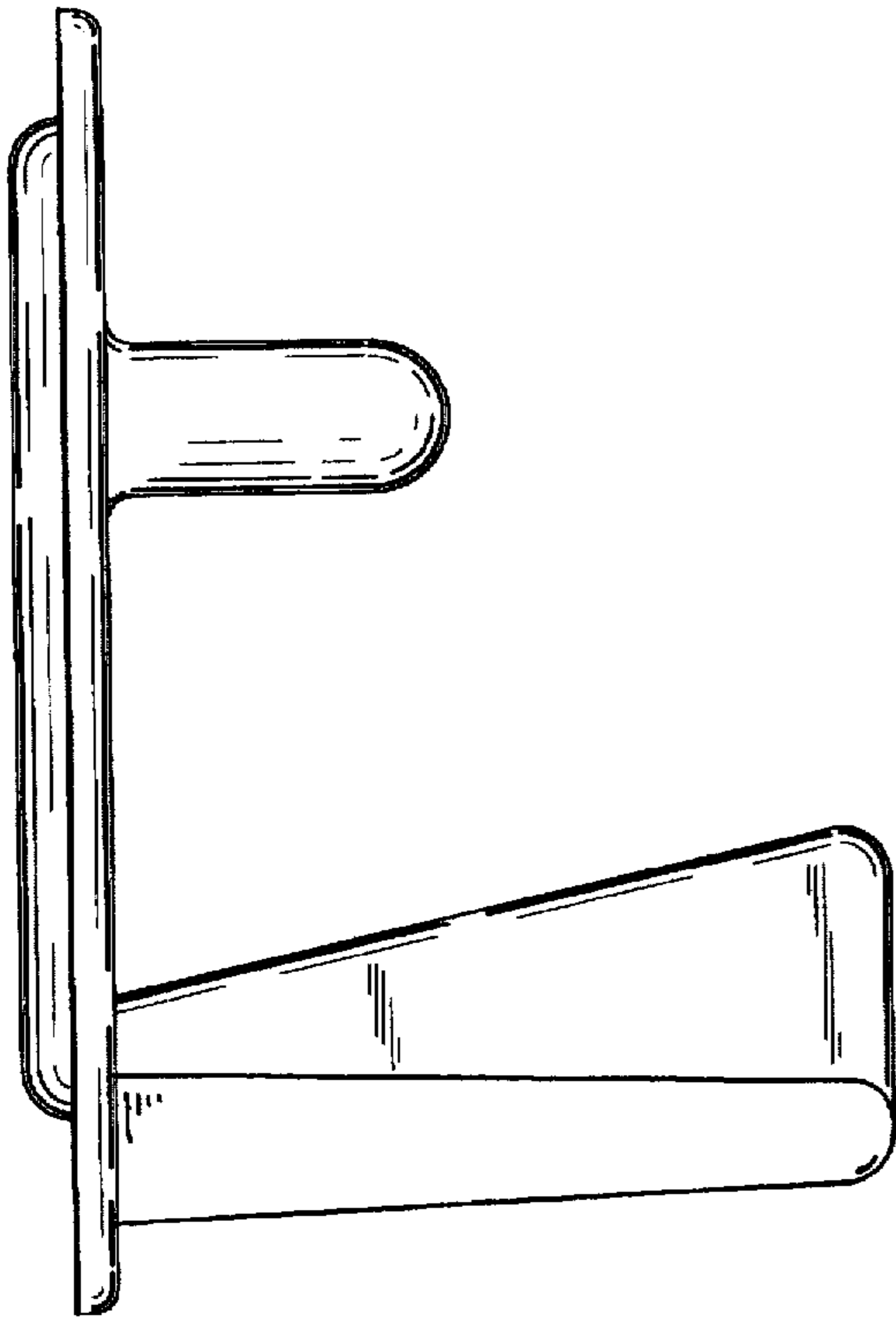


Fig. 4

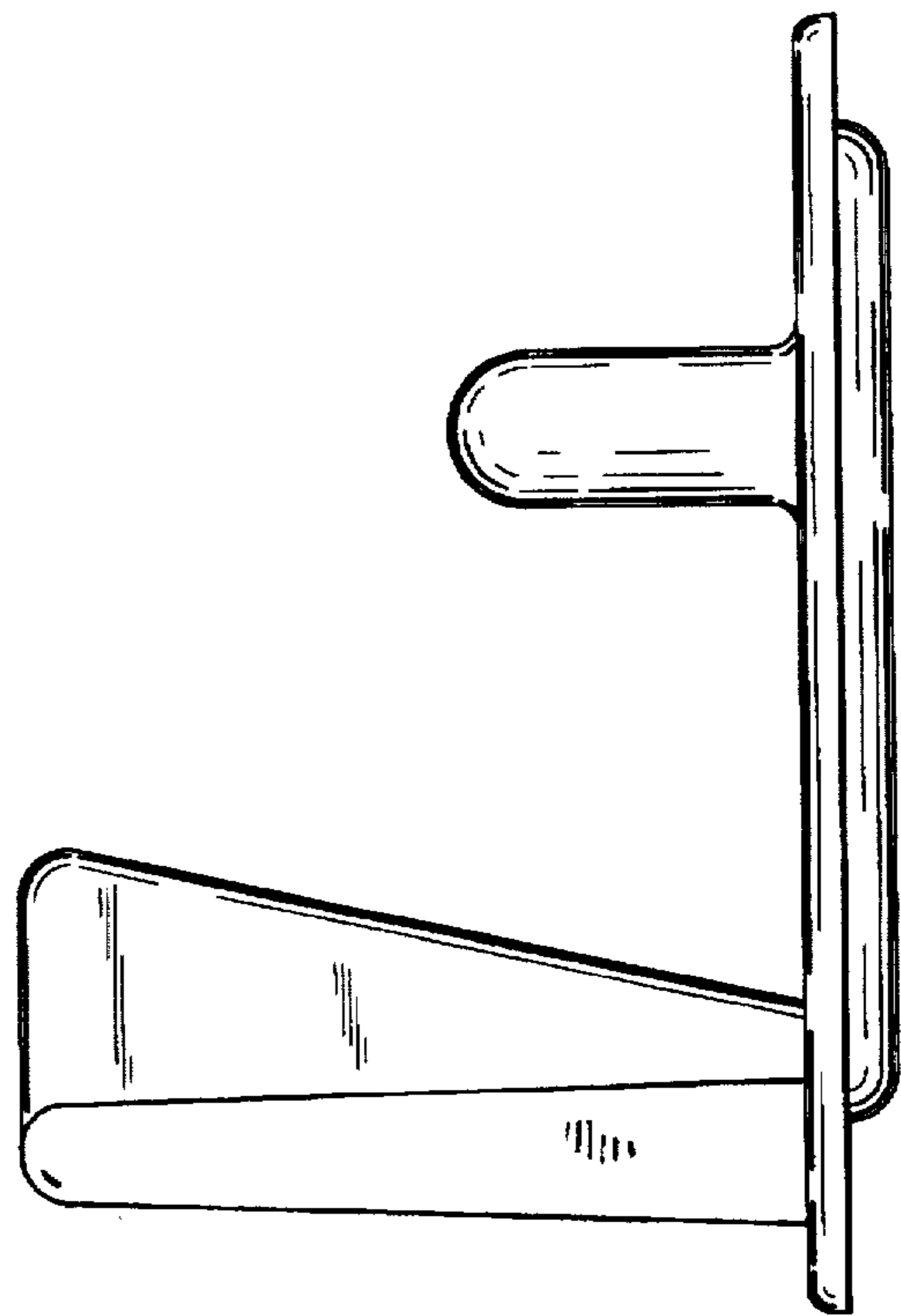


Fig. 5



Fig. 6

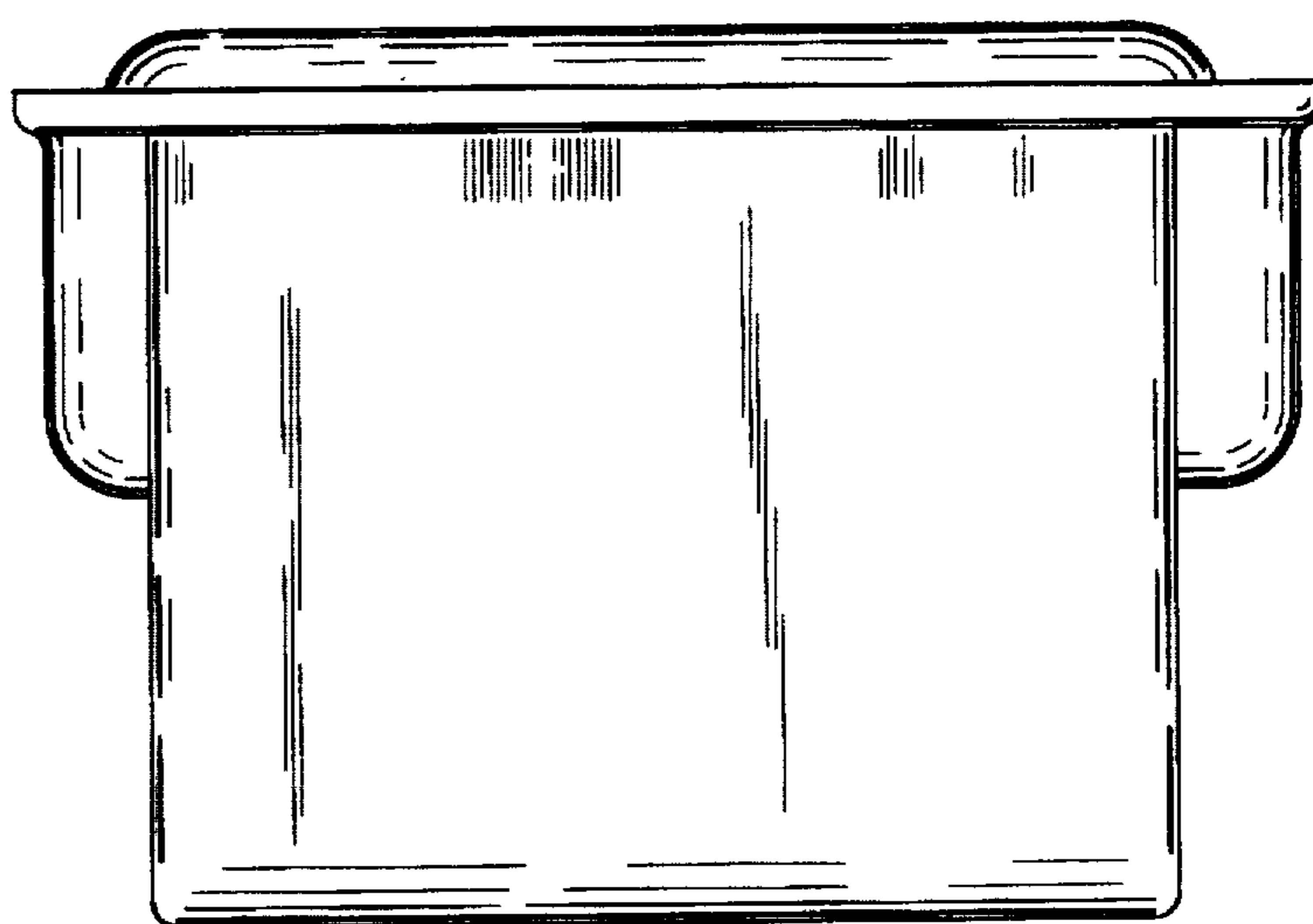


Fig. 7