



US00D390386S

United States Patent [19]

Schultz et al.

[11] Patent Number: **Des. 390,386**

[45] Date of Patent: ****Feb. 10, 1998**

[54] **CHAIR ARM**

D. 369,706 5/1996 Olson D6/501
D. 369,917 5/1996 Beaulieu D6/366

[75] Inventors: **Craig H. Schultz; Douglas A. Schroeder**, both of Muscatine, Iowa

Primary Examiner—Gary D. Watson
Attorney, Agent, or Firm—Jones, Day, Reavis & Pogue

[73] Assignee: **Hon Industries Inc.**, Muscatine, Iowa

[**] Term: **14 Years**

[57] **CLAIM**

The ornamental design for a chair arm, as shown.

[21] Appl. No.: **62,658**

DESCRIPTION

[22] Filed: **Nov. 21, 1996**

FIG. 1 is a front perspective view of a chair arm showing our new design;

[51] LOC (6) Cl. **06-06**

FIG. 2 is a front elevational view thereof;

[52] U.S. Cl. **D6/501**

FIG. 3 is a rear elevational view thereof;

[58] Field of Search D6/334, 364, 365,
D6/366, 367, 379, 500, 501, 502; 297/411.2,
411.26

FIG. 4 is a top plan view thereof;

FIG. 5 is a right side elevational view thereof;

FIG. 6 is a left side elevational view thereof; and,

FIG. 7 is a bottom plan view thereof.

[56] **References Cited**

U.S. PATENT DOCUMENTS

D. 362,974 10/1995 Olson et al. D6/366

1 Claim, 3 Drawing Sheets

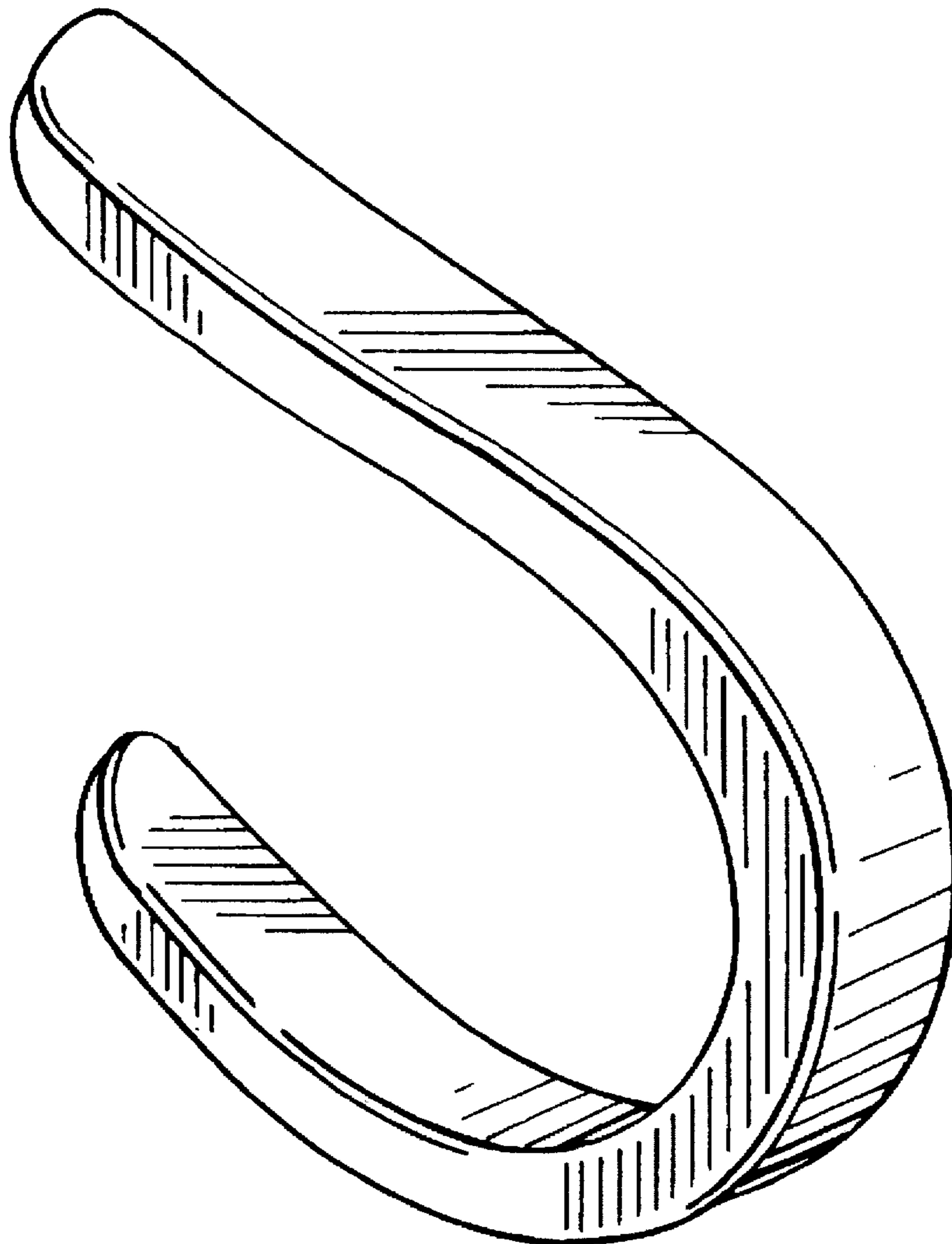


FIG. 1

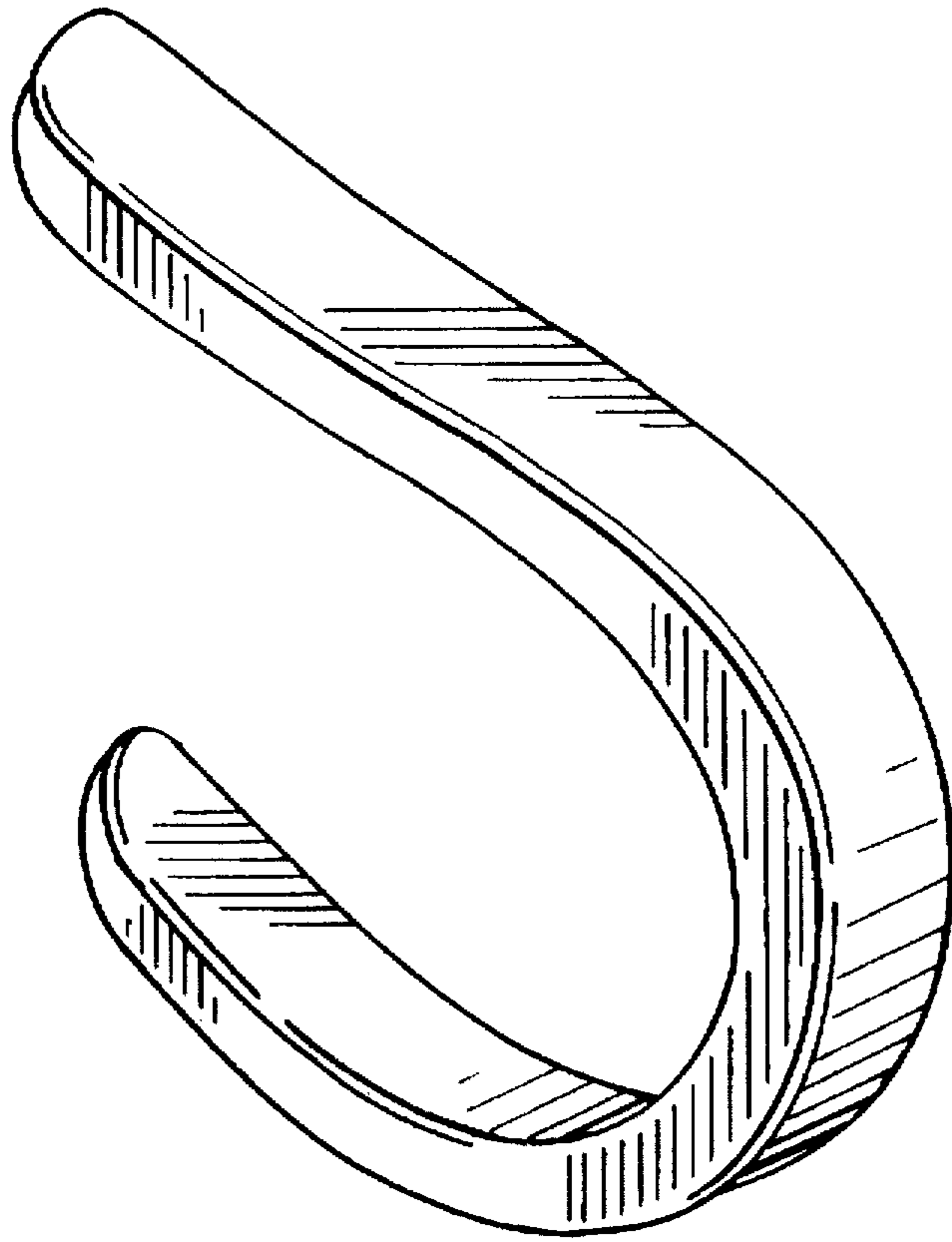


FIG. 2

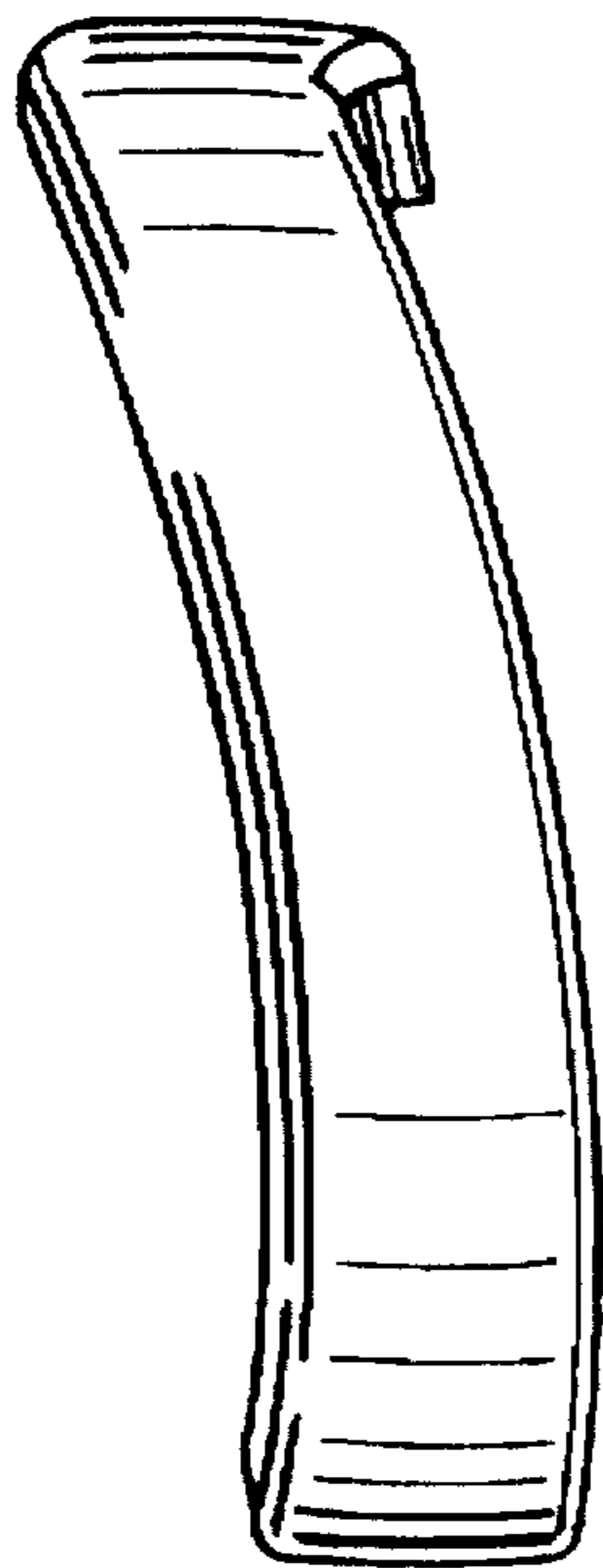


FIG. 3

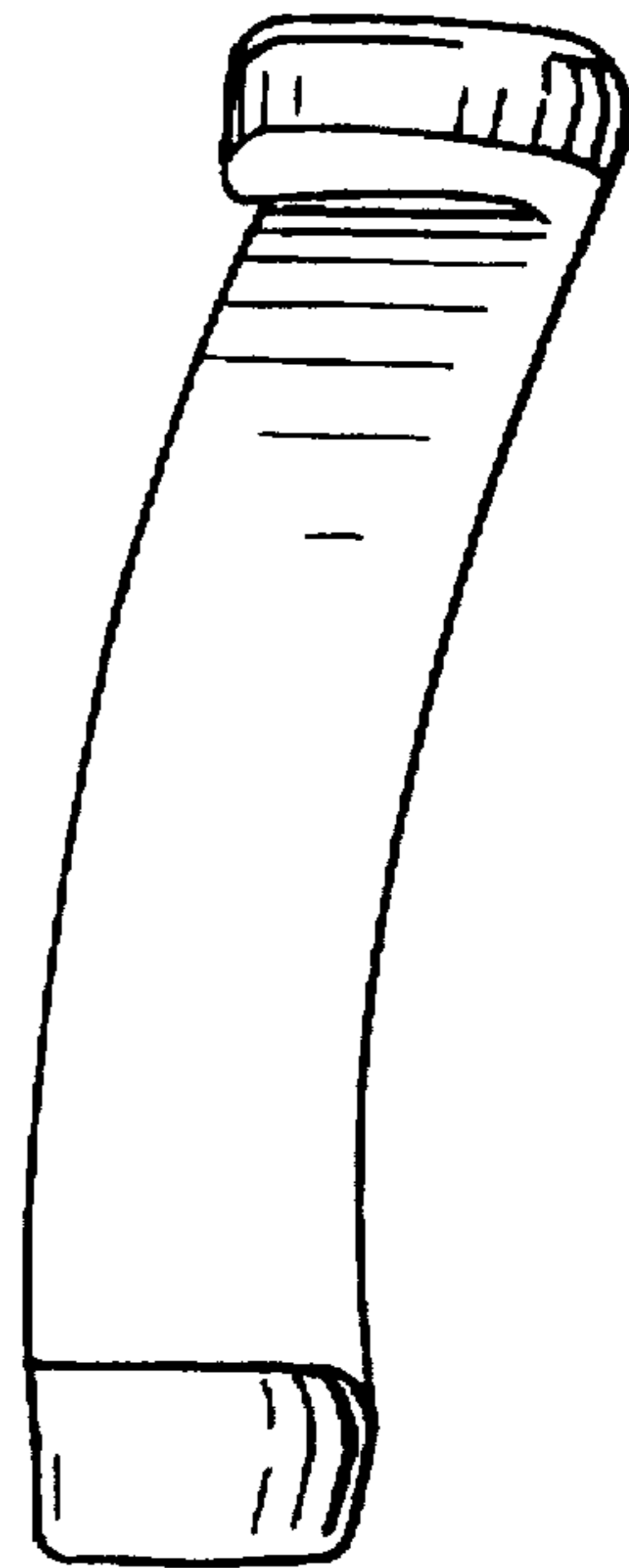


FIG. 4

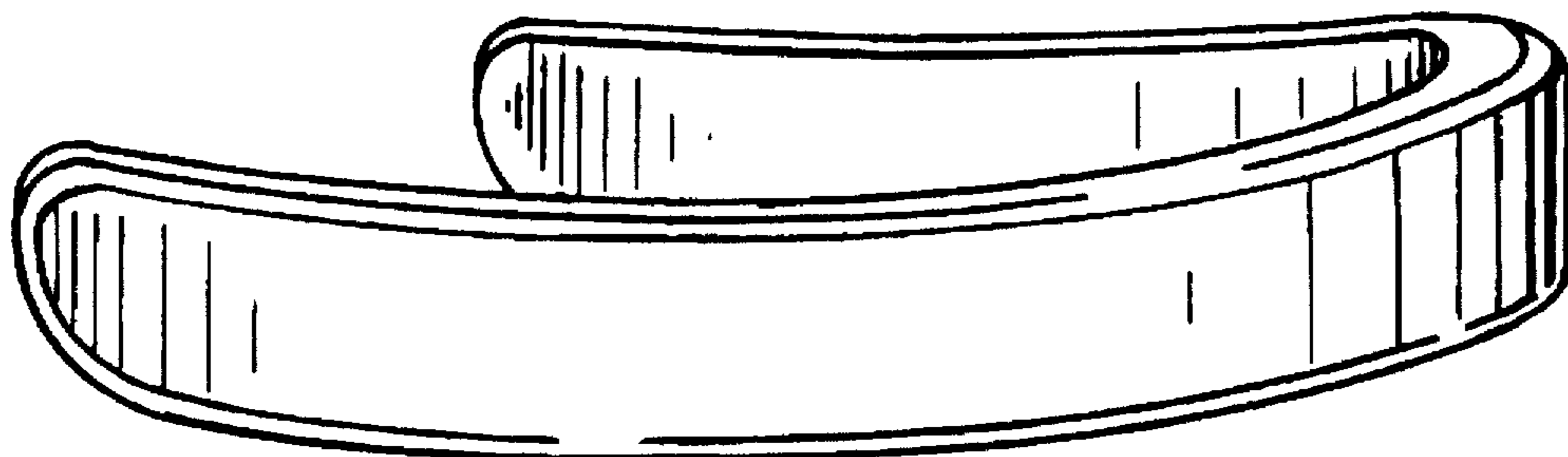


FIG. 5

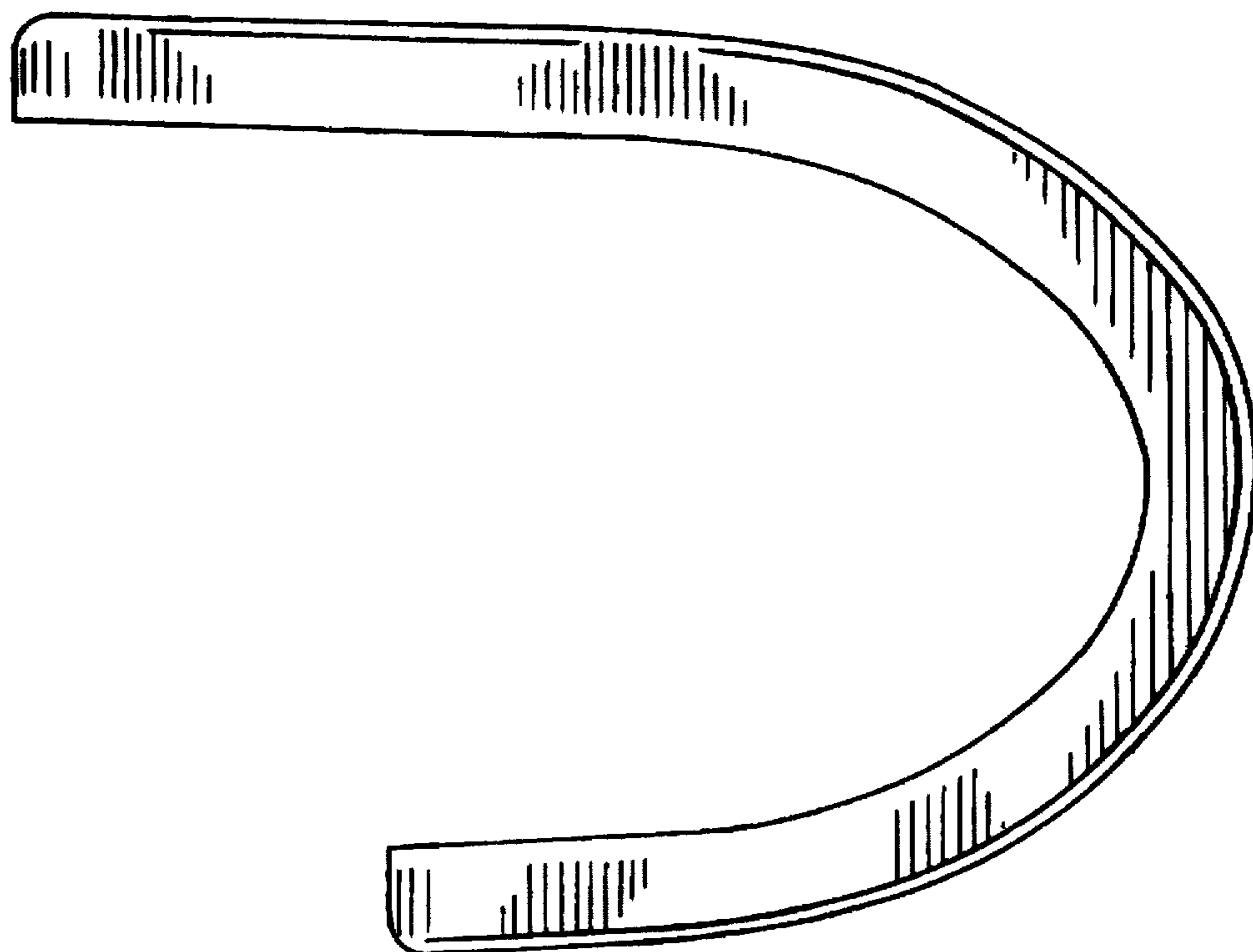


FIG. 6

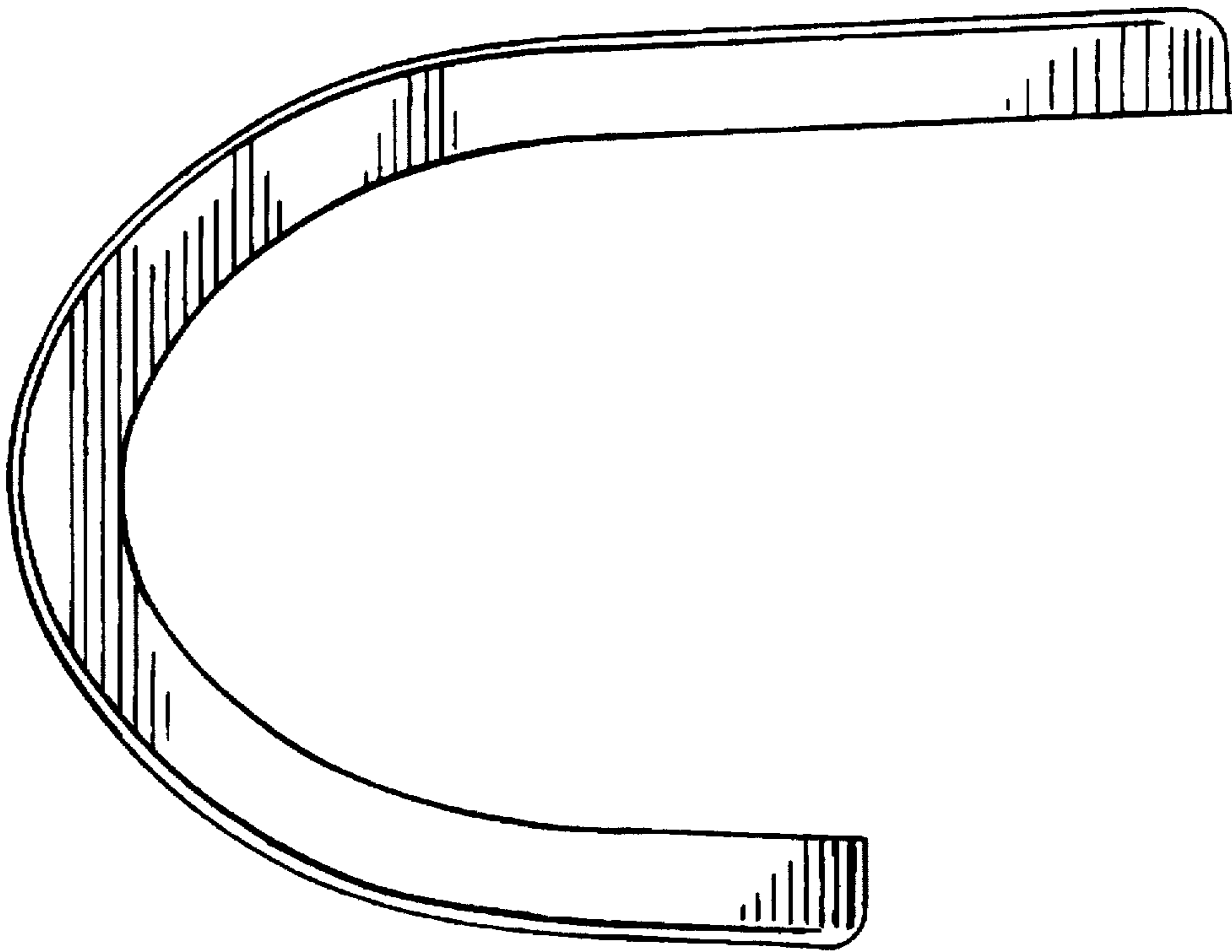


FIG. 7

