



US00D390383S

United States Patent [19]
Schacht

[11] **Patent Number: Des. 390,383**
[45] **Date of Patent: **Feb. 10, 1998**

[54] **TABLE LEG**

5,394,809 3/1995 Feldpausch et al. .
5,427,035 6/1995 Grahl .

[75] **Inventor: William F. Schacht, Grand Rapids, Mich.**

OTHER PUBLICATIONS

[73] **Assignee: Haworth, Inc., Holland, Mich.**

Steelcase Ellipse Desk System, brochure No. S-507 (14 pages).

[**] **Term: 14 Years**

The art of working brings you . . . unlimited possibilities brochure, pp. 21-30 (11 pages).

[21] **Appl. No.: 66,433**

Haworth Office Desking System, Furniture That Works brochure (4 pages).

[22] **Filed: Feb. 7, 1997**

The Teknion Office System, Teknion Two Panel System and Desk System brochure (8 pages).

Related U.S. Application Data

Herman Miller, Newhouse Group Furniture, brochure No. Q.MS6806-2 (12 pages).

[62] **Division of Ser. No. 40,112, Jun. 9, 1995, Pat. No. Des. 380,632.**

Primary Examiner—Janice E. Seeger

[51] **LOC (6) Cl. 06-06**

Attorney, Agent, or Firm—Flynn, Thiel, Boutell & Tanis, P.C.

[52] **U.S. Cl. D6/499; D6/499**

[58] **Field of Search D6/480-489, 495-499, D6/366; 108/150, 153, 156, 157, 161; 248/188, 188.1, 188.7, 188.8**

[57] **CLAIM**

The ornamental design of a table leg, as shown and described.

[56] **References Cited**

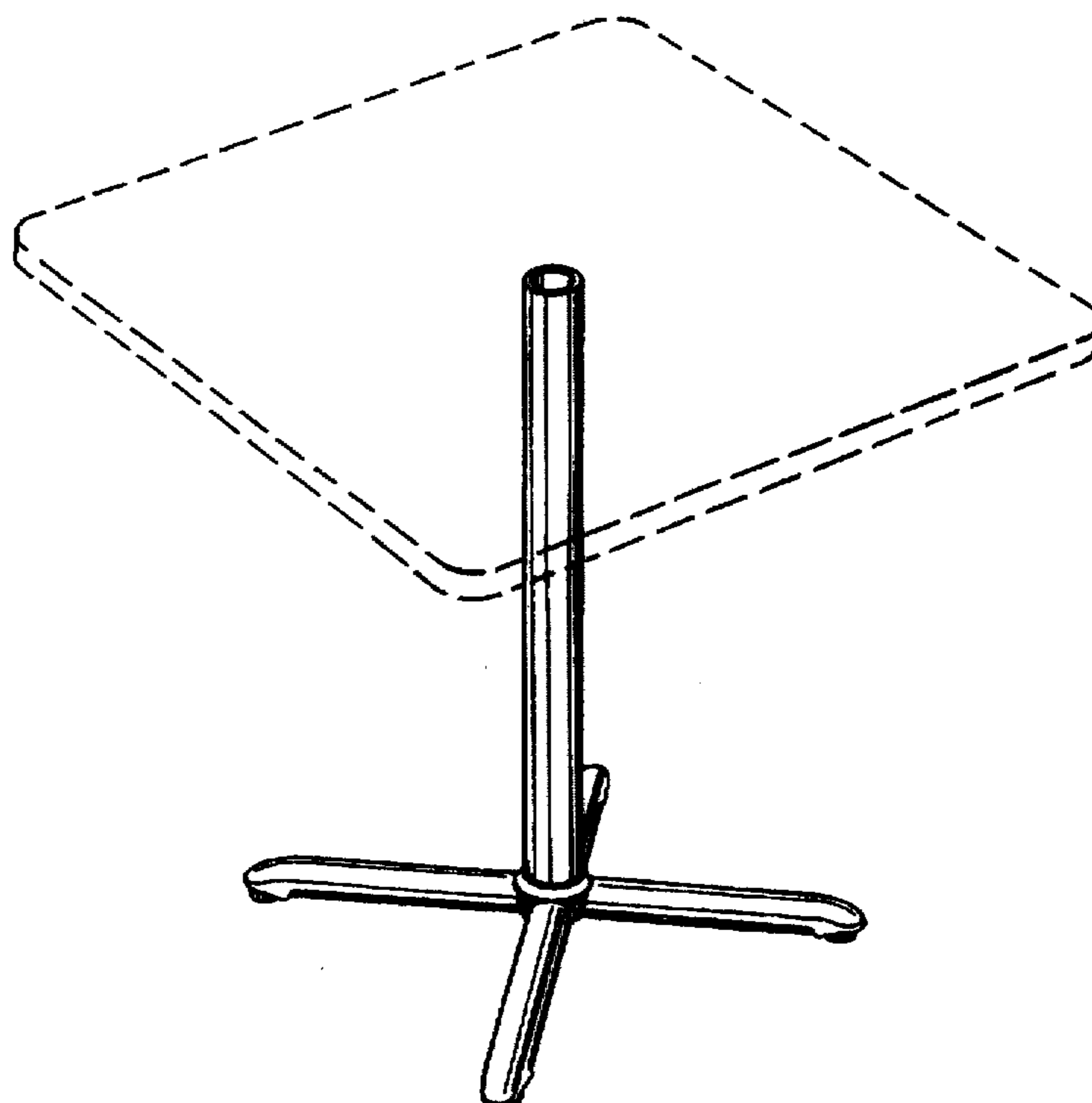
DESCRIPTION

U.S. PATENT DOCUMENTS

FIG. 1 is a perspective view of a table leg embodying my design, the table top being shown in dotted lines for illustrative purposes and forms no part of the claimed design; FIG. 2 is a front elevational view thereof, the rear, right and left elevational views being identical thereto, the table top and mounting plate being shown in dotted lines for illustrative purposes and forms no part of the claimed design; and, FIG. 3 is a plan view taken generally along line 3-3 in FIG. 2.

- D. 80,098 12/1929 Tecktonius D6/486 X
- D. 260,216 8/1981 Buhk D6/498
- D. 267,838 2/1983 Buhk et al. D6/366
- D. 277,525 2/1985 Buhk et al. D6/366
- D. 284,532 7/1986 Vogt .
- D. 314,299 2/1991 Diffrient .
- D. 320,320 10/1991 van Ditshuizen .
- D. 330,302 10/1992 Heidmann .
- D. 333,058 2/1993 Diffrient D6/498
- D. 352,845 11/1994 Hellwig et al. .

1 Claim, 3 Drawing Sheets



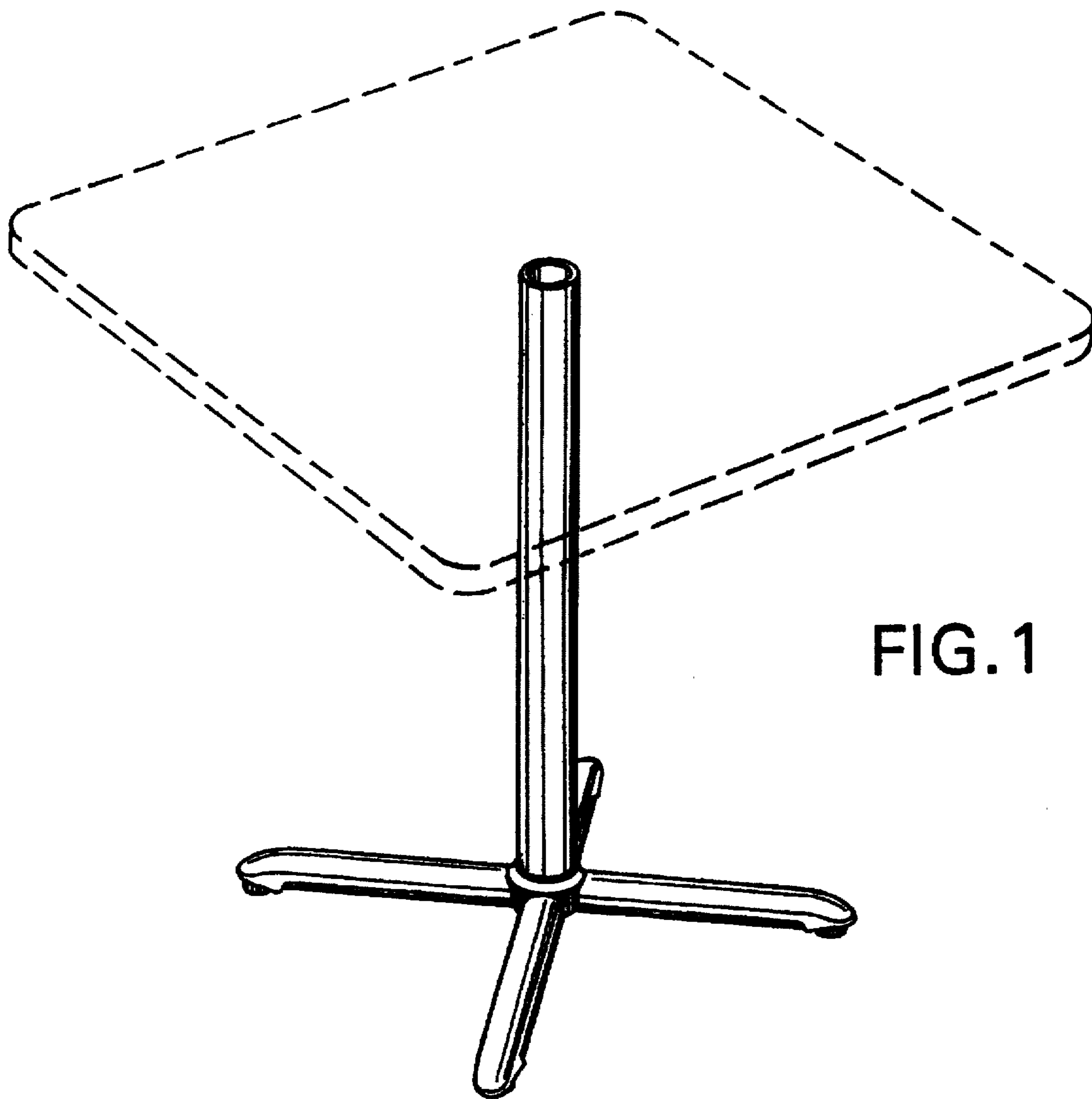


FIG. 1

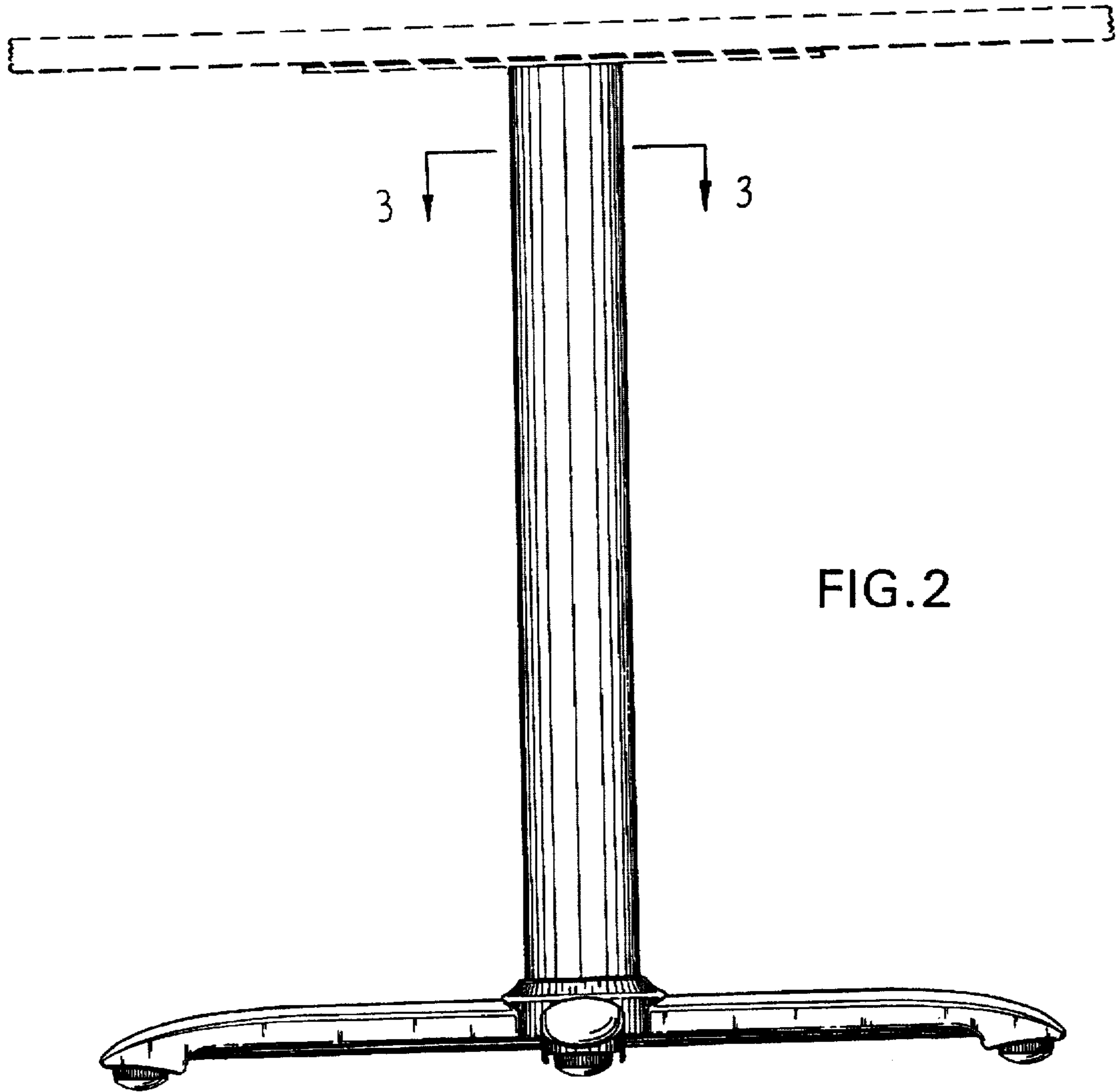


FIG.2

FIG. 3

