



US00D390382S

United States Patent [19]
Schwartz

[11] **Patent Number: Des. 390,382**
[45] **Date of Patent: **Feb. 10, 1998**

[54] **TABLE**

- [75] Inventor: **David L. Schwartz**, Florence, Ala.
- [73] Assignee: **Hunt Holdings, Inc.**, Wilmington, Del.
- [**] Term: **14 Years**
- [21] Appl. No.: **55,674**
- [22] Filed: **Jun. 10, 1996**

Related U.S. Application Data

- [63] Continuation-in-part of Ser. No. 642,750, May 3, 1996.
- [51] **LOC (6) Cl.** **06-03**
- [52] **U.S. Cl.** **D6/480**
- [58] **Field of Search** D6/480-489, 45, D6/496, 498, 499, 442, 423; 108/144, 153, 156, 157, 161, 64 GS; 248/188, 188.1

[56] **References Cited**

U.S. PATENT DOCUMENTS

D. 186,894	12/1959	Henrikson et al. .	
D. 283,094	3/1986	Strand et al.	D6/478
2,836,475	5/1958	Sapp	311/4
2,857,223	10/1958	Furey	311/4
3,053,598	9/1962	Cheslow	311/4
3,342,147	9/1967	Shettles	108/64
3,869,992	3/1975	Kramer .	
4,158,335	6/1979	Belcastro	108/64
4,639,049	1/1987	Frascaroli et al.	312/195
4,732,088	3/1988	Koechlin et al.	108/64
5,016,405	5/1991	Lee	52/36
5,144,888	9/1992	Heine et al.	108/64
5,337,657	8/1994	Diffrient	108/115
5,339,747	8/1994	Epps	108/64
5,447,099	9/1995	Adams et al.	D6/429
5,522,324	6/1996	Van Gelder et al.	108/64

FOREIGN PATENT DOCUMENTS

2541881	9/1984	France .
2839770	3/1980	Germany .
121936	6/1948	Sweden .

OTHER PUBLICATIONS

- Kimball Office Furniture Co.—Array Tables Price List 1994.
- Vecta advertisement that appeared in the May 1995 issue of Interiors magazine.
- Kimball Office Furniture Co.—Advertisement that appeared in the May 1995 issue of Interiors magazine.
- Bretford Manufacturing, Inc. Price List 1995.
- Bretford Manufacturing, Inc. —Bretford Presentation Environments Catalog.
- The HON Company—HON merchandise catalog 1995.
- Tiffany Industries—Innovative Workplace Furniture Catalog—1995.
- copy of p. 46 of Bretford catalog “Bretford Training Meeting Tables”.
- copy of “Interlink Modular Office System”, The Harbinger Collection, Globe Business Furniture.

Primary Examiner—Janice E. Seeger
Attorney, Agent, or Firm—Synnestvedt & Lechner

[57] **CLAIM**

The ornamental design for a table, as shown and described.

DESCRIPTION

- FIG. 1 is a perspective view of a table showing my new design;
- FIG. 2 is a top plan view of the table shown in FIG. 1;
- FIG. 3 is a rear elevational view of the table shown in FIG. 1;
- FIG. 4 is a front elevational view of the table shown in FIG. 1;
- FIG. 5 is a side elevational view of the table as seen from the left of FIG. 3;
- FIG. 6 is a side elevational view of the table as seen from the right of FIG. 3; and,
- FIG. 7 is a bottom plan view of the table shown in FIG. 1.

1 Claim, 5 Drawing Sheets

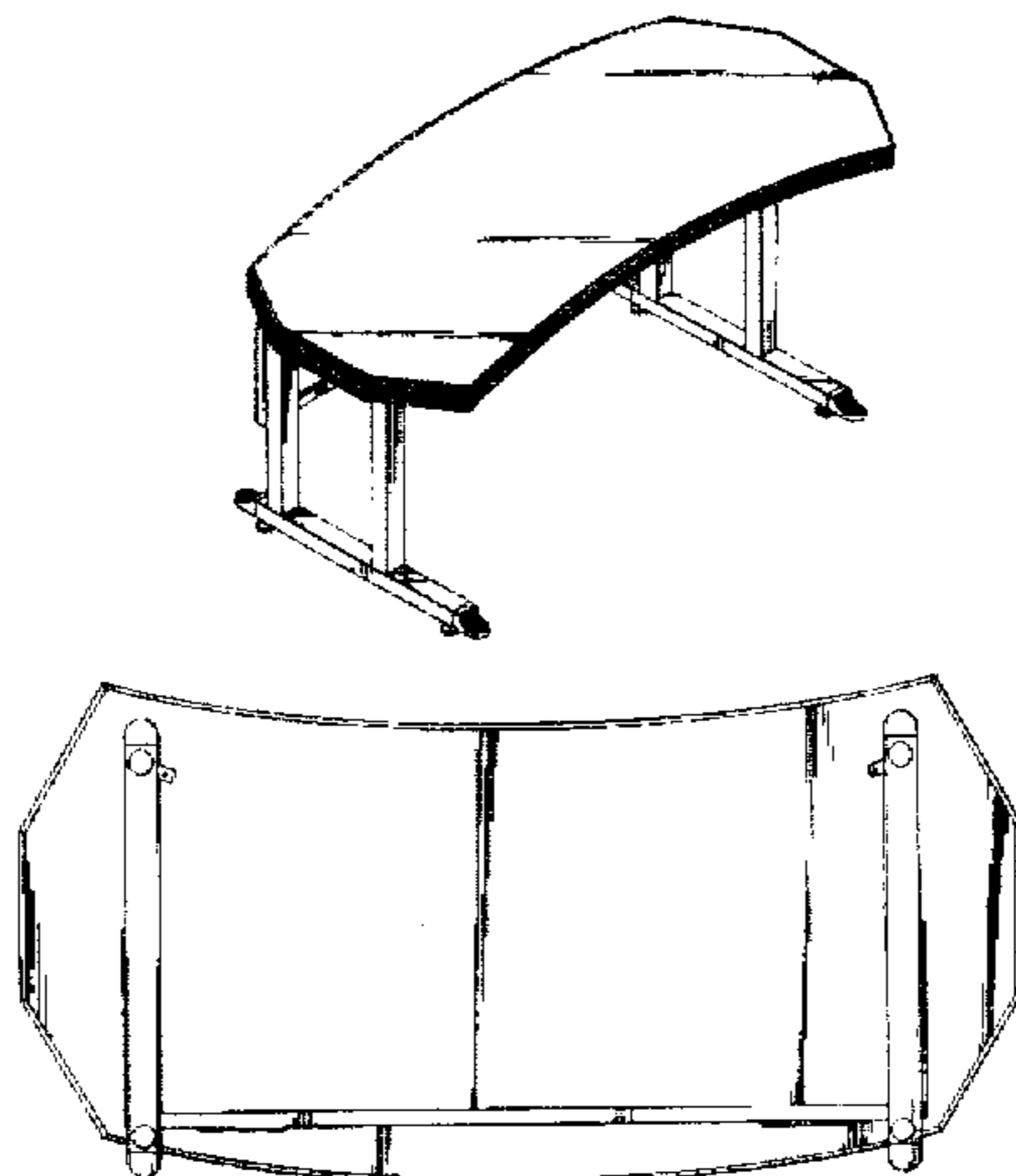


FIG. 1

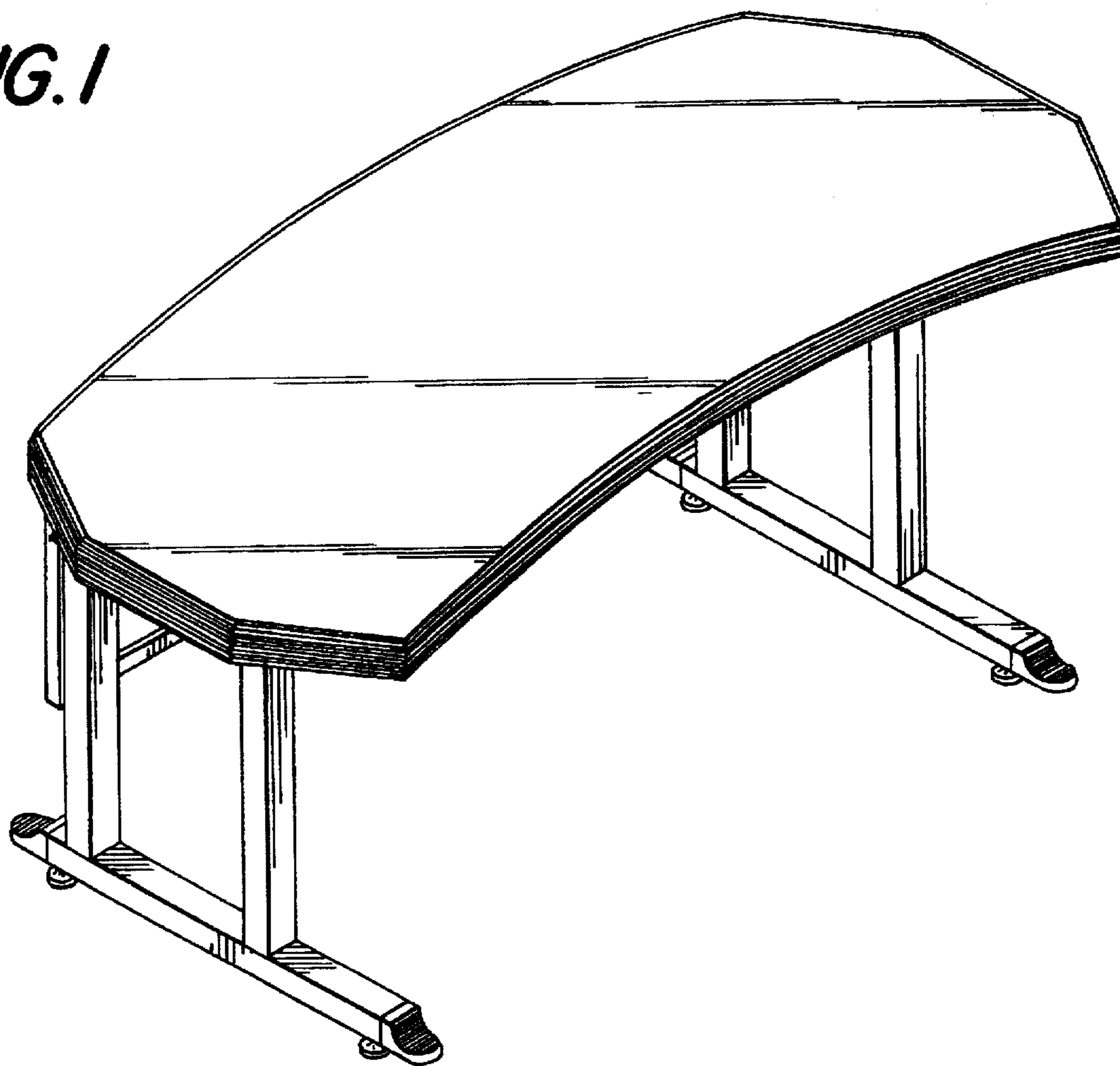
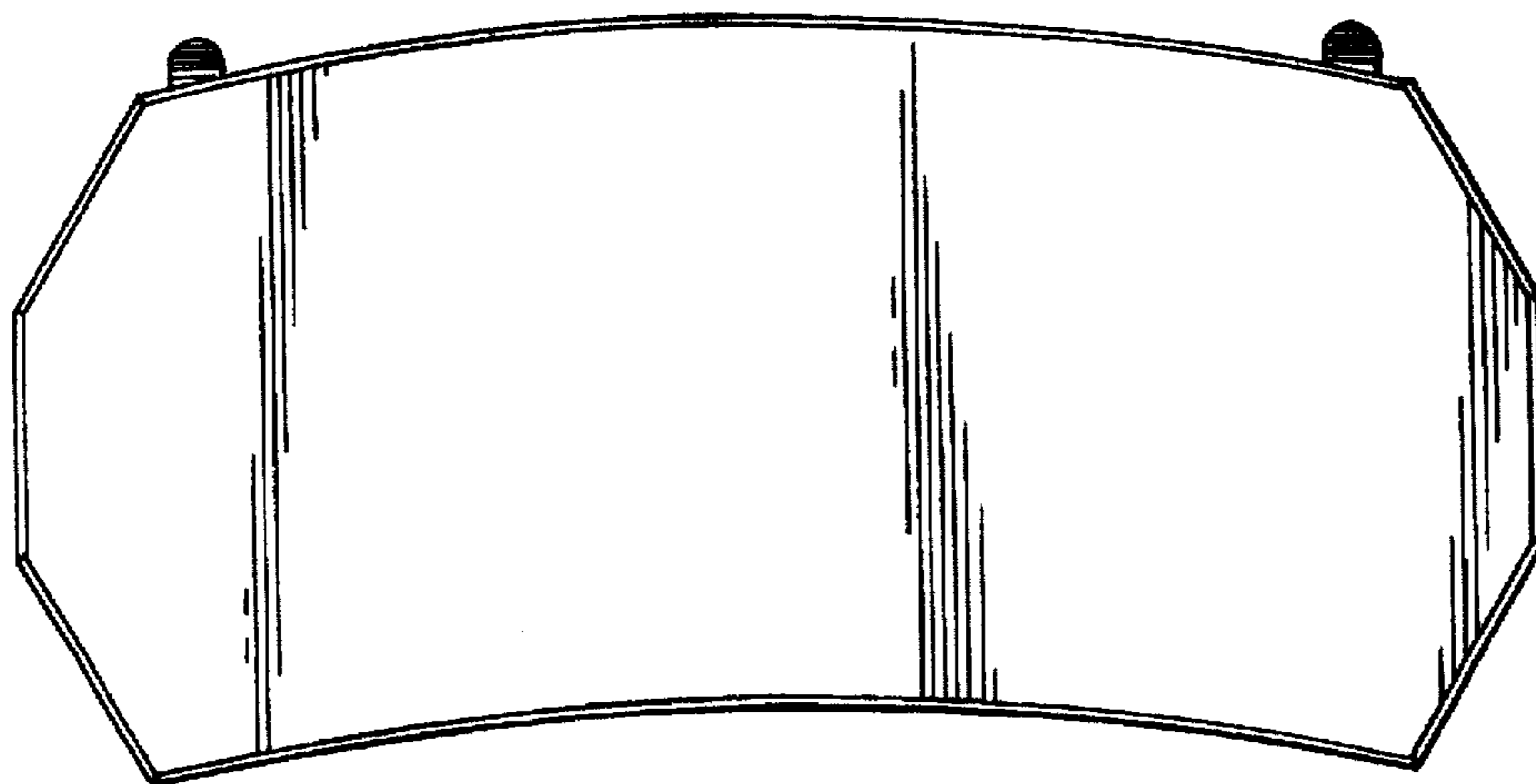


FIG. 2



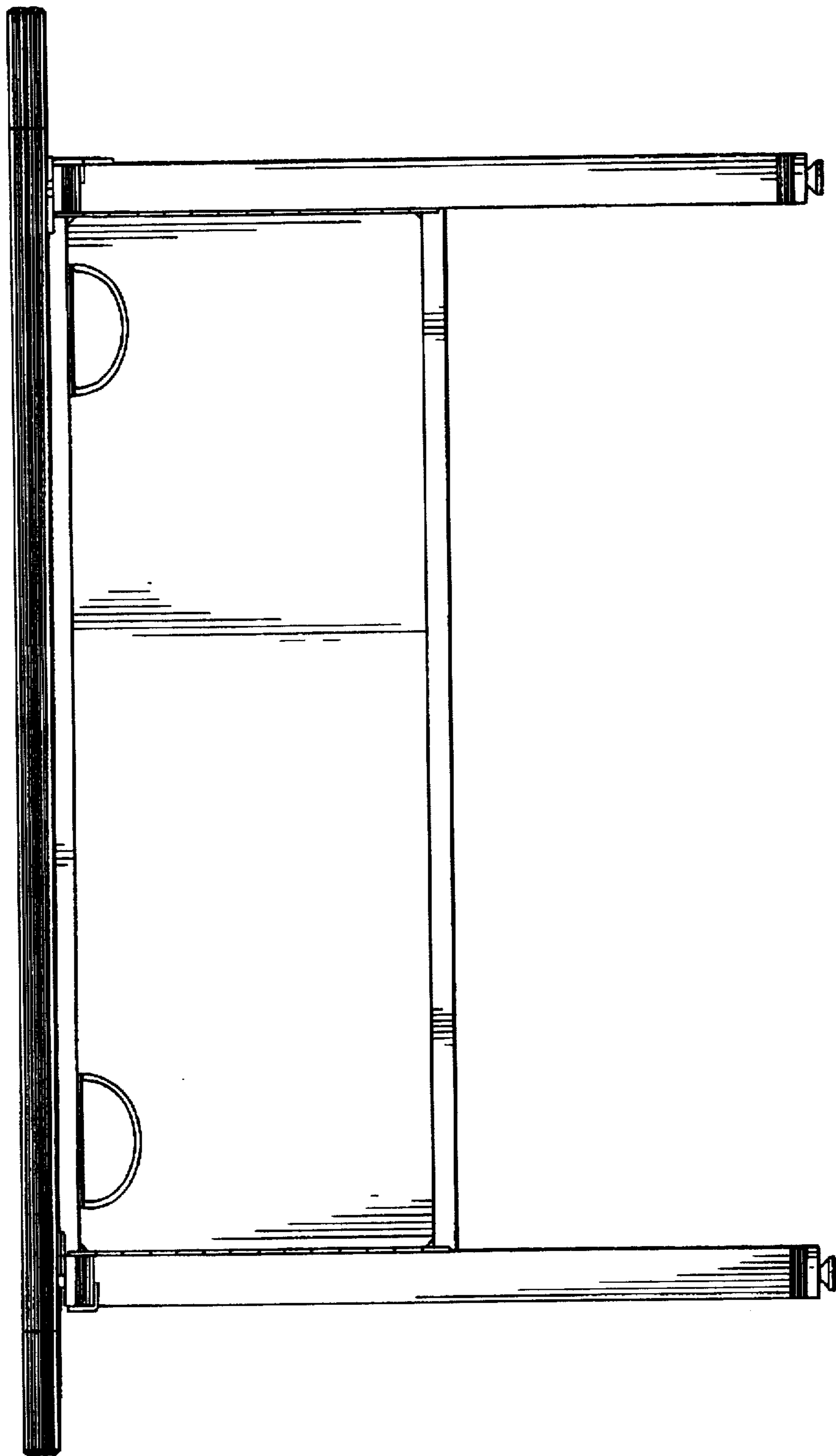


FIG. 3

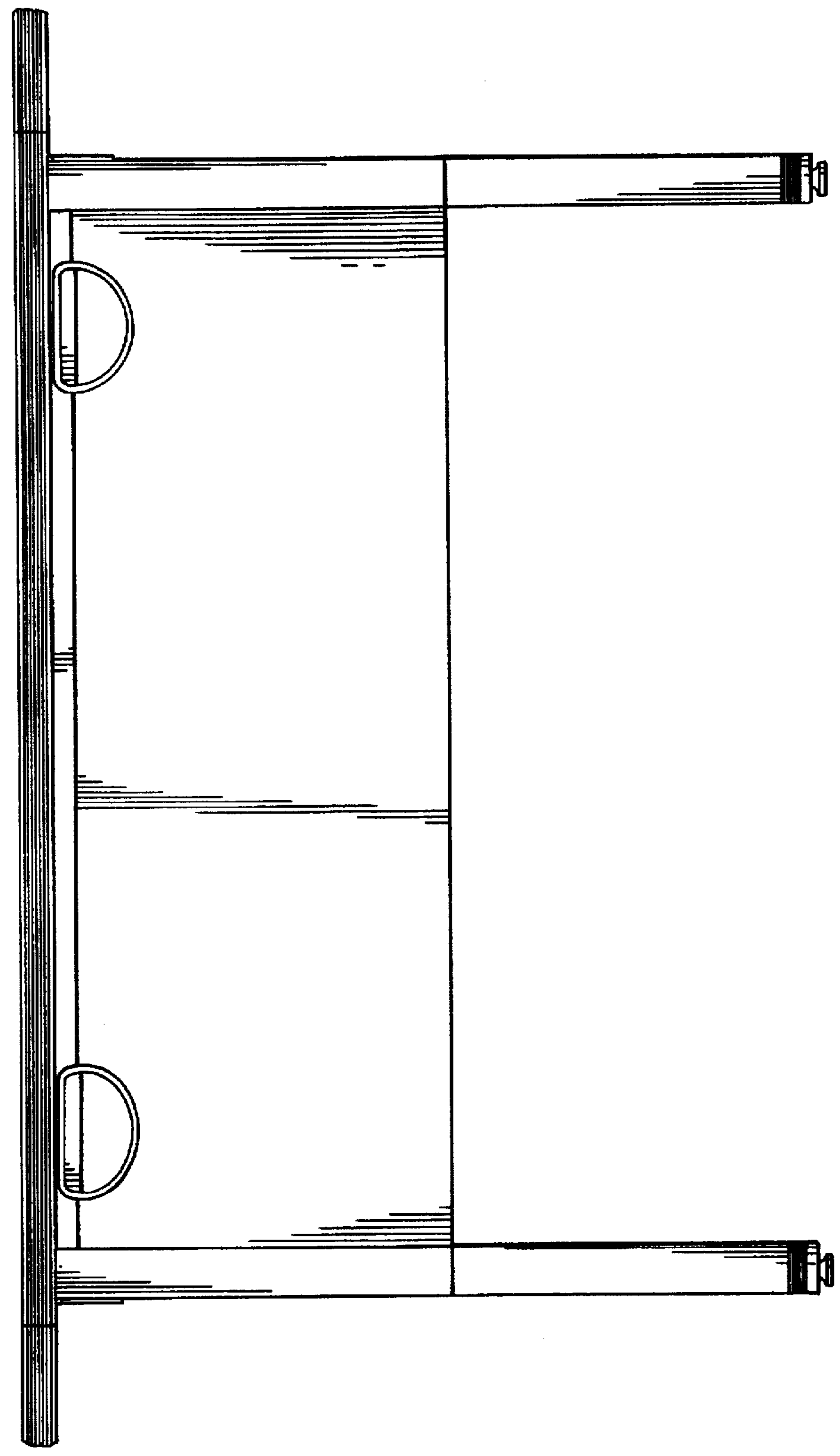


FIG. 4

FIG. 5

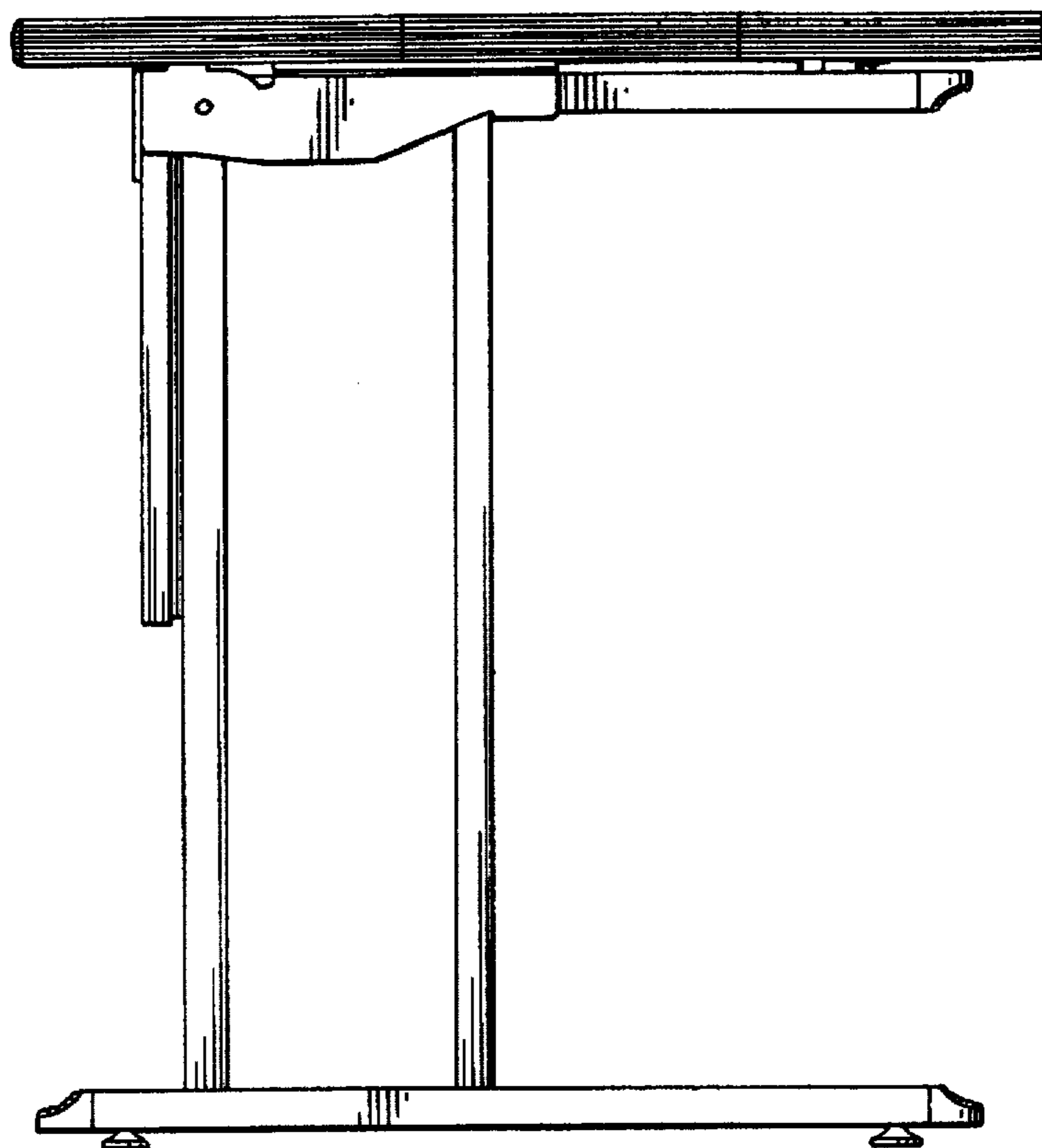
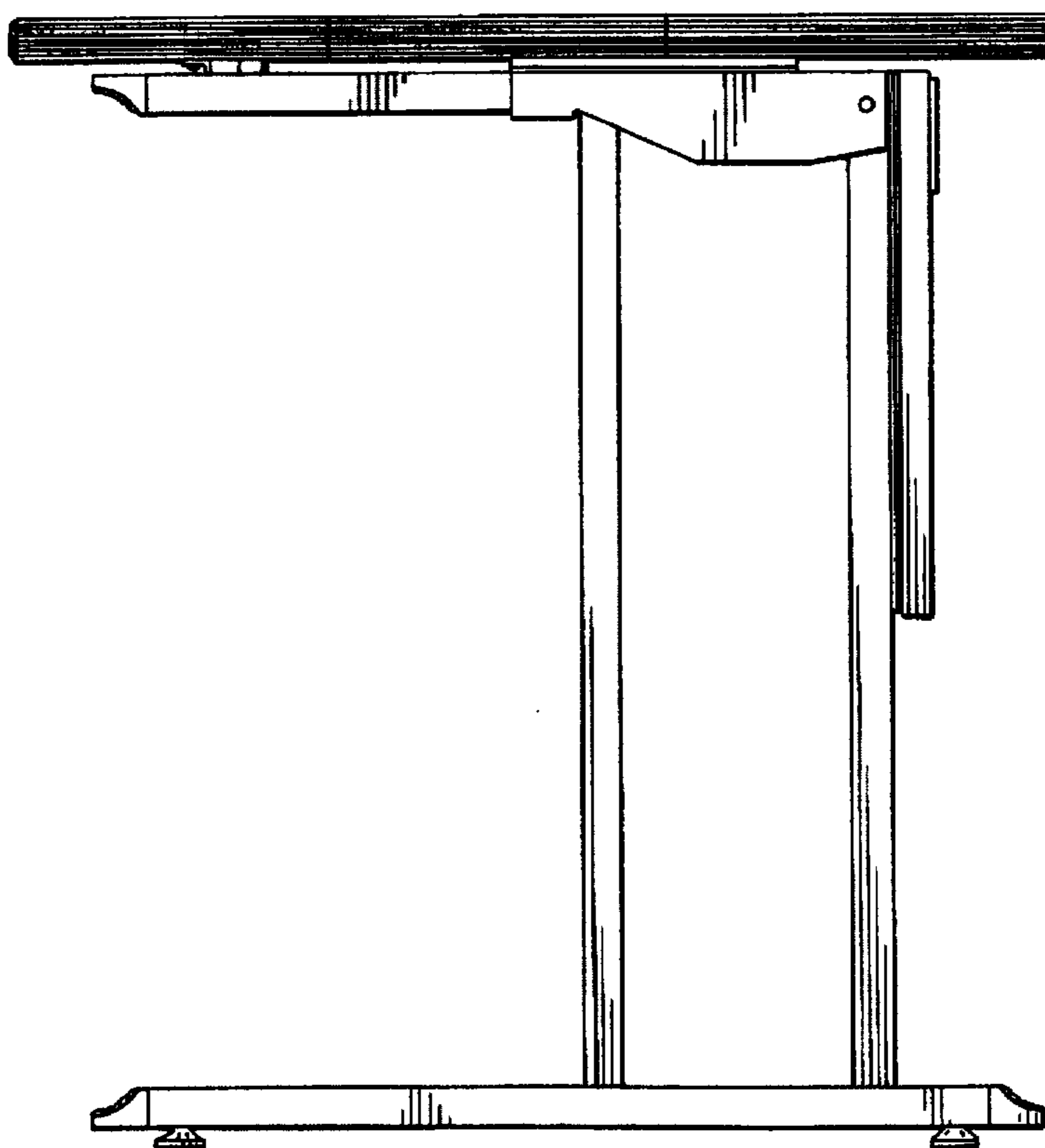


FIG. 6



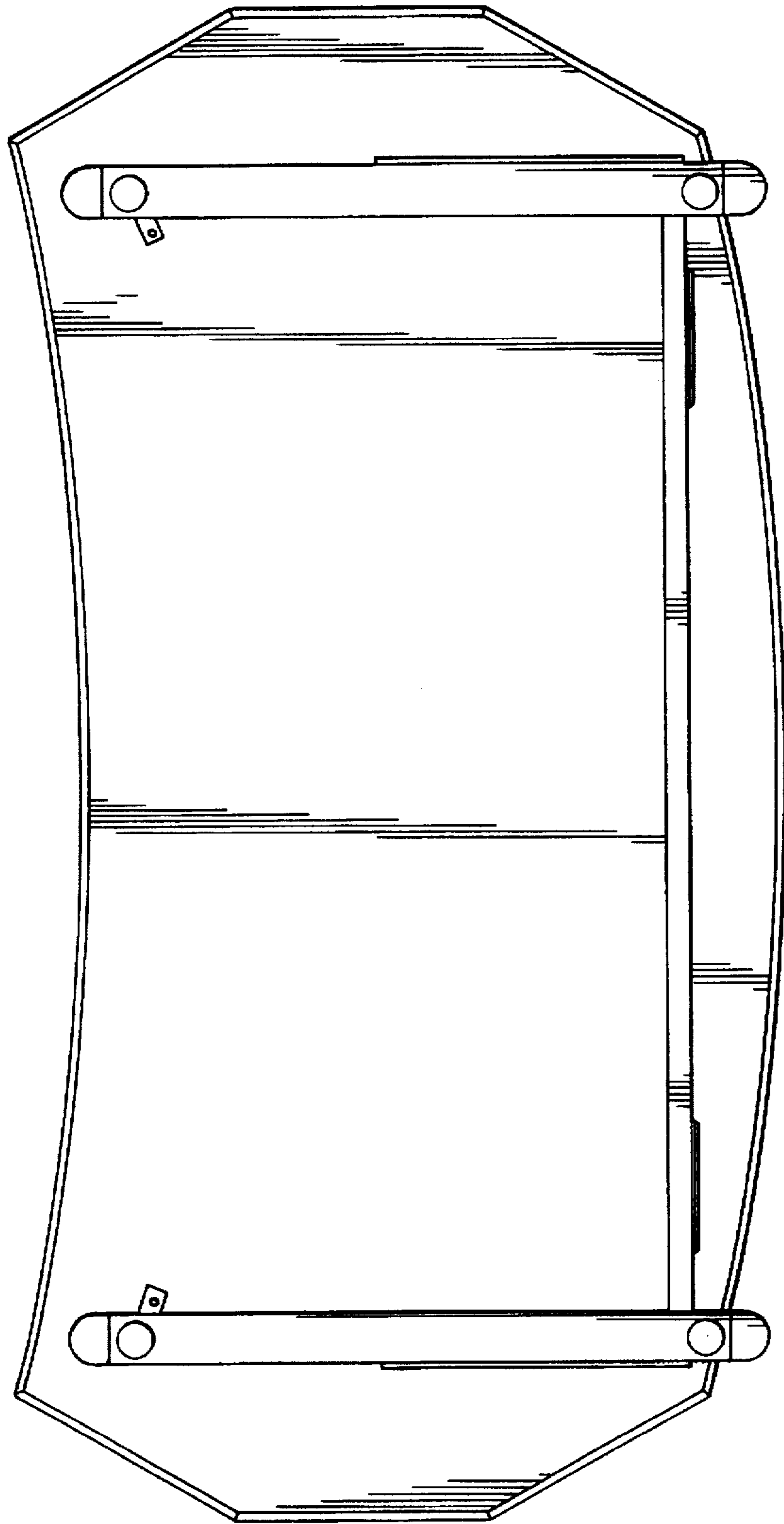


FIG. 7