



US00D390381S

United States Patent [19]

[11] Patent Number: **Des. 390,381**

Dormon et al.

[45] Date of Patent: *****Feb. 10, 1998**

[54] **MOBILE TABLE**

[75] Inventors: **Nicholas Q. Dormon**, London, United Kingdom; **Greg D. Lamke**, Hastings; **Joyce S. Bromberg**, Grand Rapids, both of Mich.

[73] Assignee: **Steelcase Inc.**, Grand Rapids, Mich.

[*] Notice: The portion of the term of this patent subsequent to Sep. 23, 2011, has been disclaimed.

[**] Term: **14 Years**

[21] Appl. No.: **55,570**

[22] Filed: **Jun. 7, 1996**

[51] LOC (6) Cl. **06-03**

[52] U.S. Cl. **D6/480; D6/482; D6/487**

[58] Field of Search **D6/480-489, 495, D6/429, 422, 423; 108/153, 156, 161; 248/188, 188.1**

D. 332,536	1/1993	Hosoe	D6/482
D. 332,537	1/1993	Hosoe	D6/482
D. 332,538	1/1993	Hosoe	D6/482
D. 333,053	2/1993	Hosoe	D6/482
D. 359,405	6/1995	Ball	D6/482
D. 367,192	2/1996	Fratini	D6/482 X
4,408,543	10/1983	Griffin	108/24
4,559,877	12/1985	Waibel	108/64
4,665,836	5/1987	Burr	108/64
4,922,835	5/1990	Van Vliet et al.	108/114
5,016,405	5/1991	Lee	52/36
5,065,832	11/1991	Mark	108/60

OTHER PUBLICATIONS

"Technics Topics" by Progressive Architecture (1 page) dated Nov. 1989.

Primary Examiner—Janice E. Seeger
Attorney, Agent, or Firm—Price, Heneveld, Cooper, DeWitt & Litton

[57] **CLAIM**

The ornamental design for a mobile table, as shown and described.

DESCRIPTION

FIG. 1 is a perspective view of a mobile table, showing our new design;

FIG. 2 is a top plan view;

FIG. 3 is a bottom plan view;

FIG. 4 is a front elevational view;

FIG. 5 is a rear elevational view;

FIG. 6 is a right side elevational view, the left side being an identical image; and,

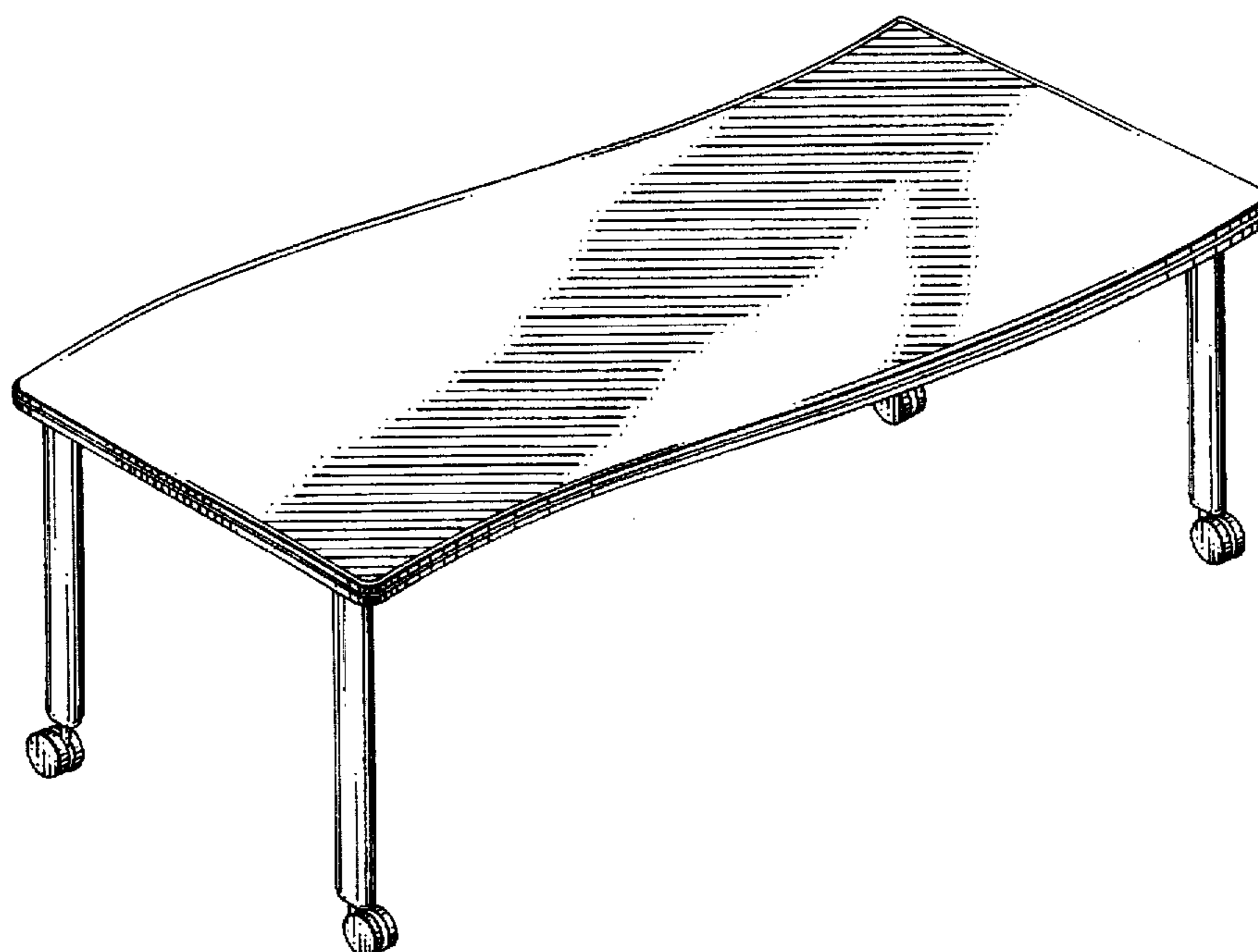
FIG. 7 is an enlarged, fragmentary perspective of an edge portion thereof.

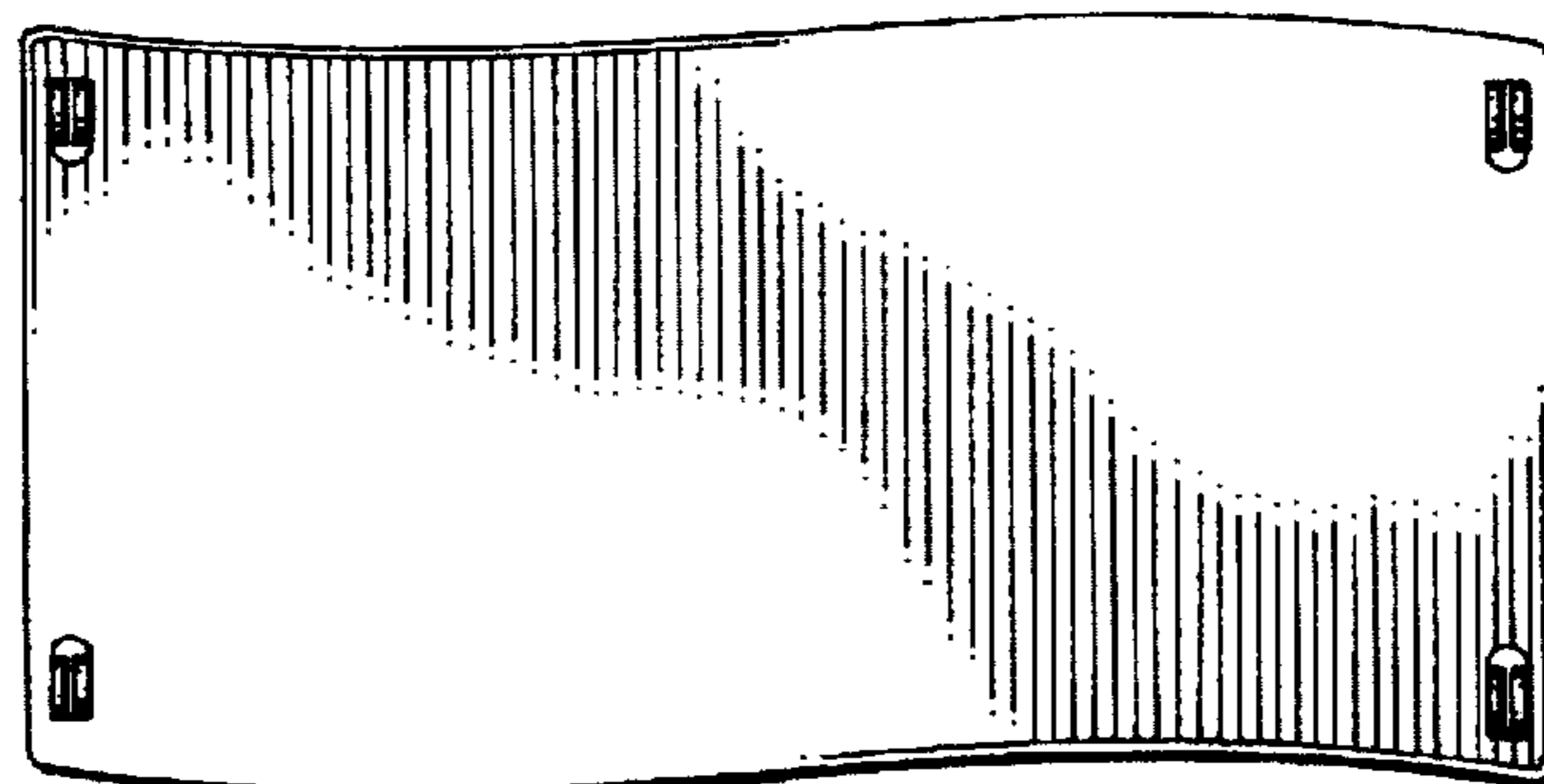
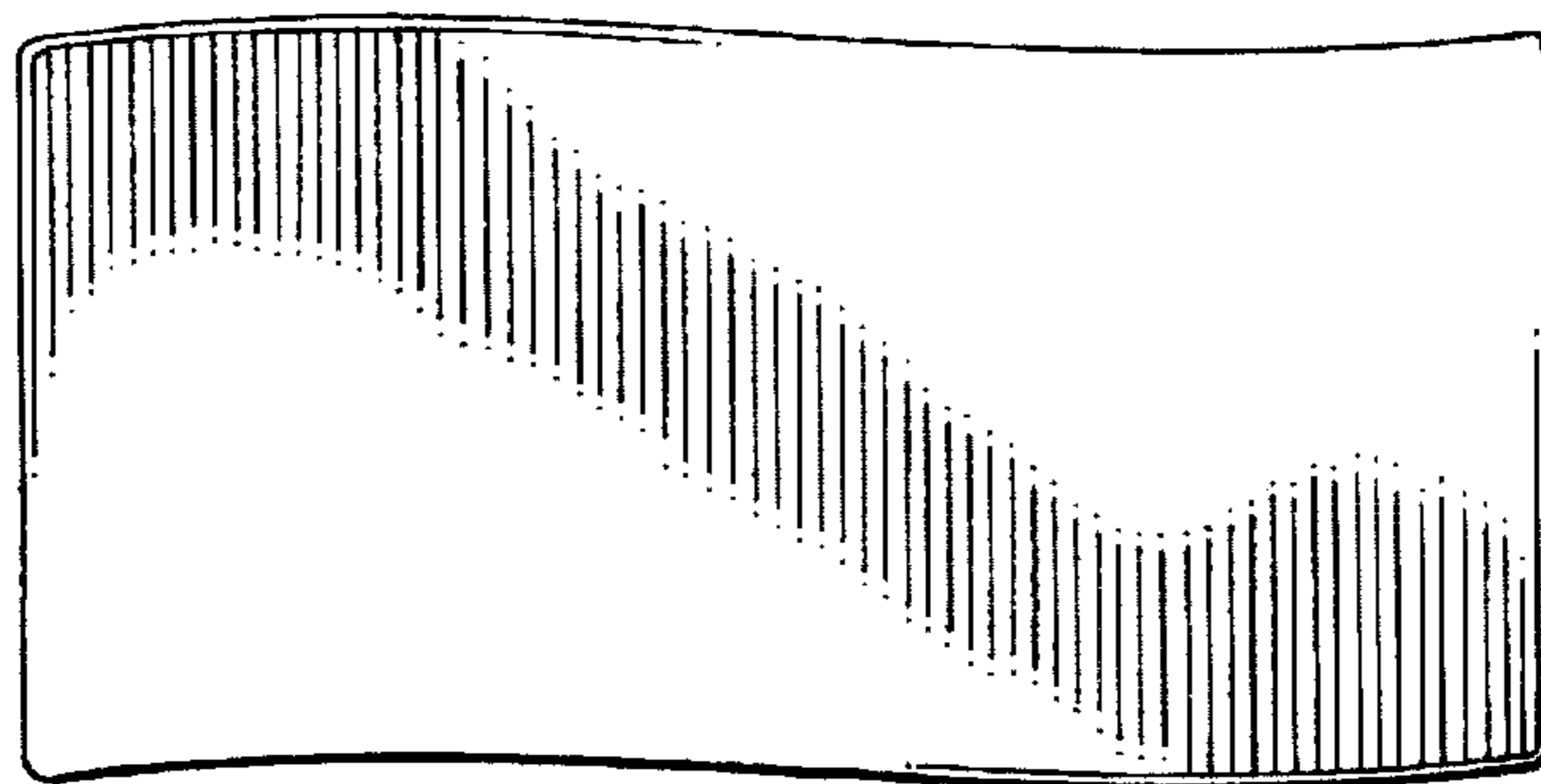
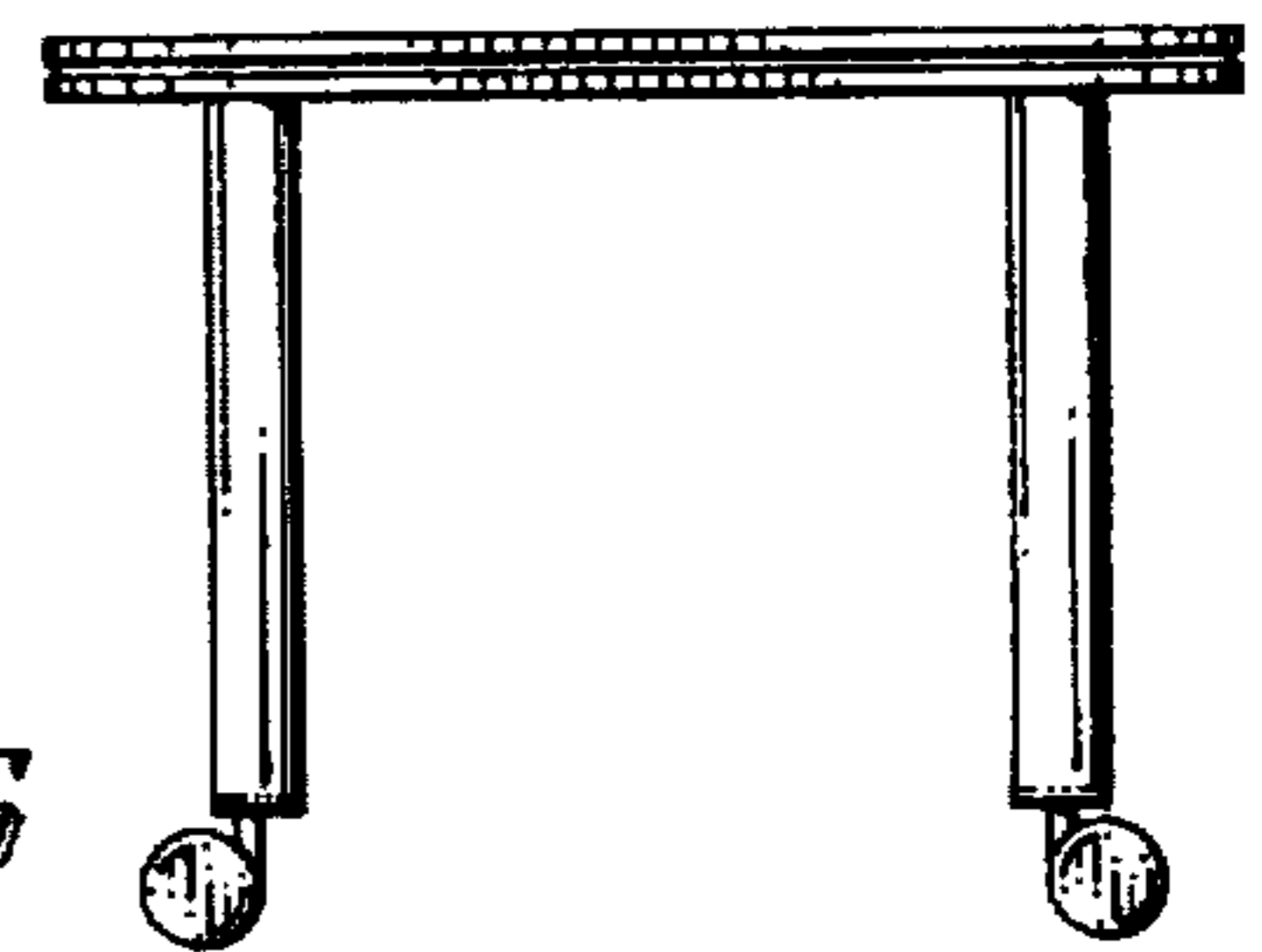
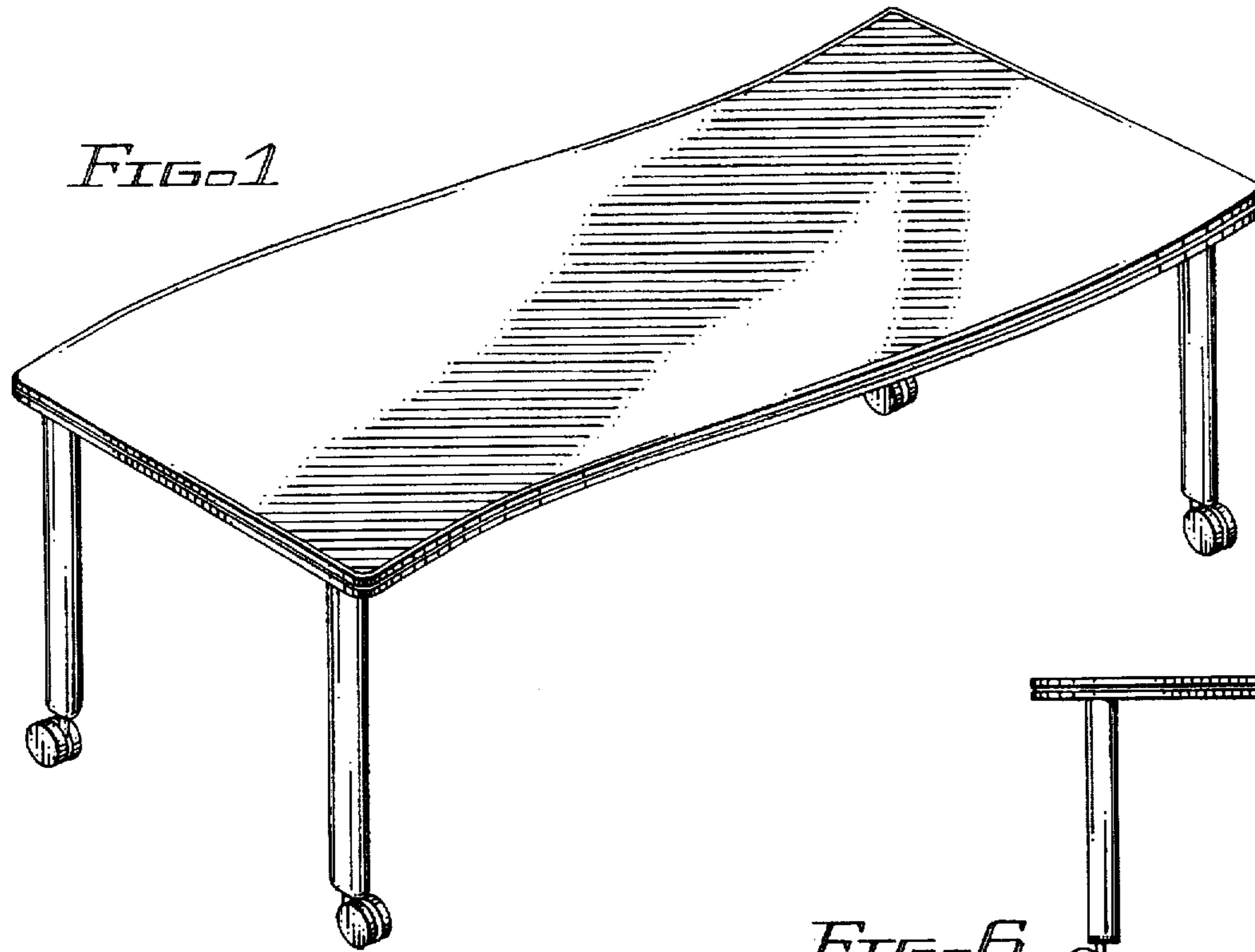
1 Claim, 2 Drawing Sheets

References Cited

U.S. PATENT DOCUMENTS

D. 148,776	2/1948	Fay	D33/7
D. 251,946	5/1979	Schneider	D6/177
D. 252,432	7/1979	Brelsford	D6/177
D. 268,715	4/1983	Curry	D6/29
D. 282,096	1/1986	Levand	D21/232
D. 282,775	2/1986	Floyd, Sr.	D24/3
D. 288,756	3/1987	McCarty	D6/482
D. 289,117	4/1987	Schmid	D6/484
D. 291,851	9/1987	Salvato	D6/482
D. 330,644	11/1992	Bellini et al.	D6/422
D. 331,164	11/1992	Deimen et al.	D6/484
D. 332,535	1/1993	Hosoe	D6/482





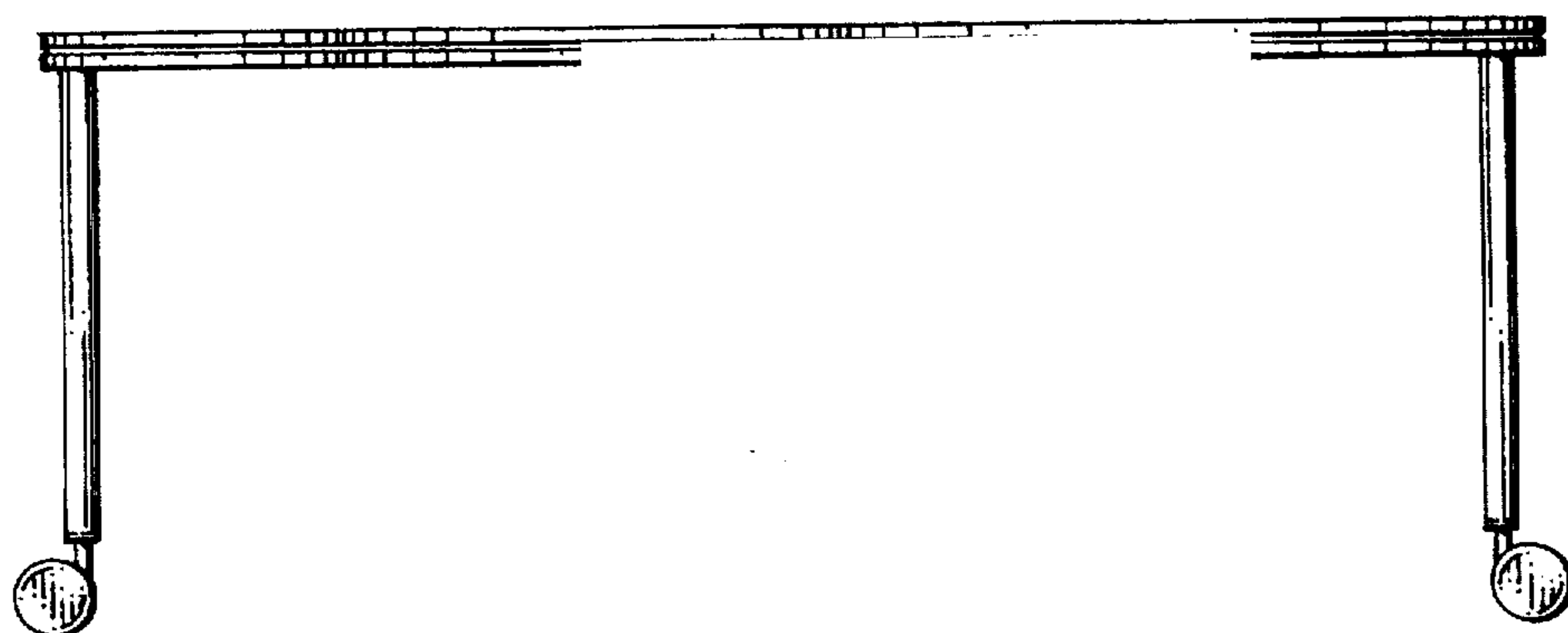


FIG. 4



FIG. 5

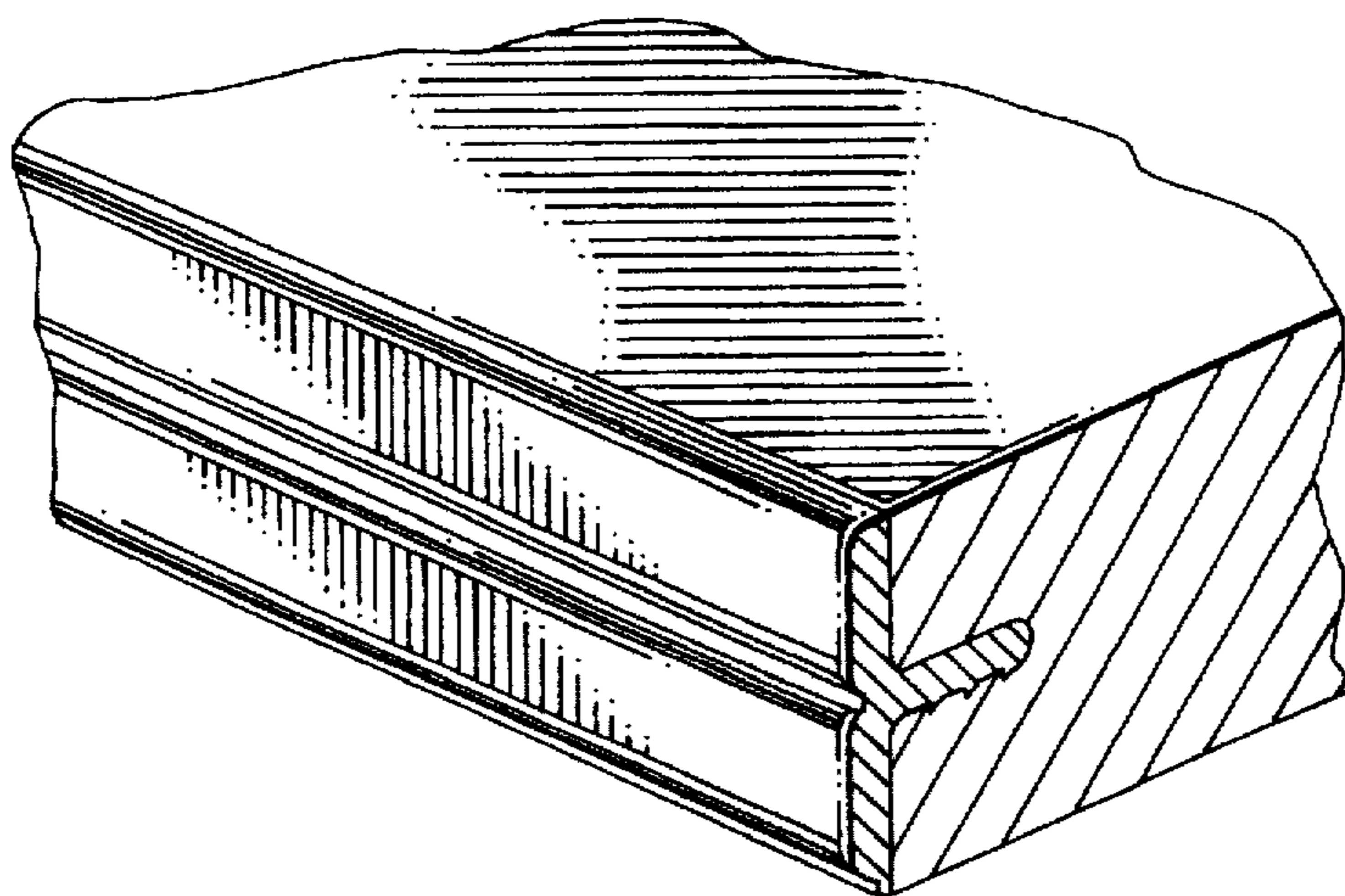


FIG. 7

UNITED STATES PATENT AND TRADEMARK OFFICE
CERTIFICATE OF CORRECTION

PATENT NO. : Des 390,381
DATED : February 10, 1998
INVENTOR(S) : Dormon et al.

Page 1 of 2

It is certified that error appears in the above-identified patent and that said Letters Patent is hereby corrected as shown below:

Please delete drawing sheet 2 of 2 and substitute drawing sheet 2 of 2 as per attached.

Signed and Sealed this

Thirteenth Day of November, 2001

Attest:

Nicholas P. Godici

Attesting Officer

NICHOLAS P. GODICI
Acting Director of the United States Patent and Trademark Office

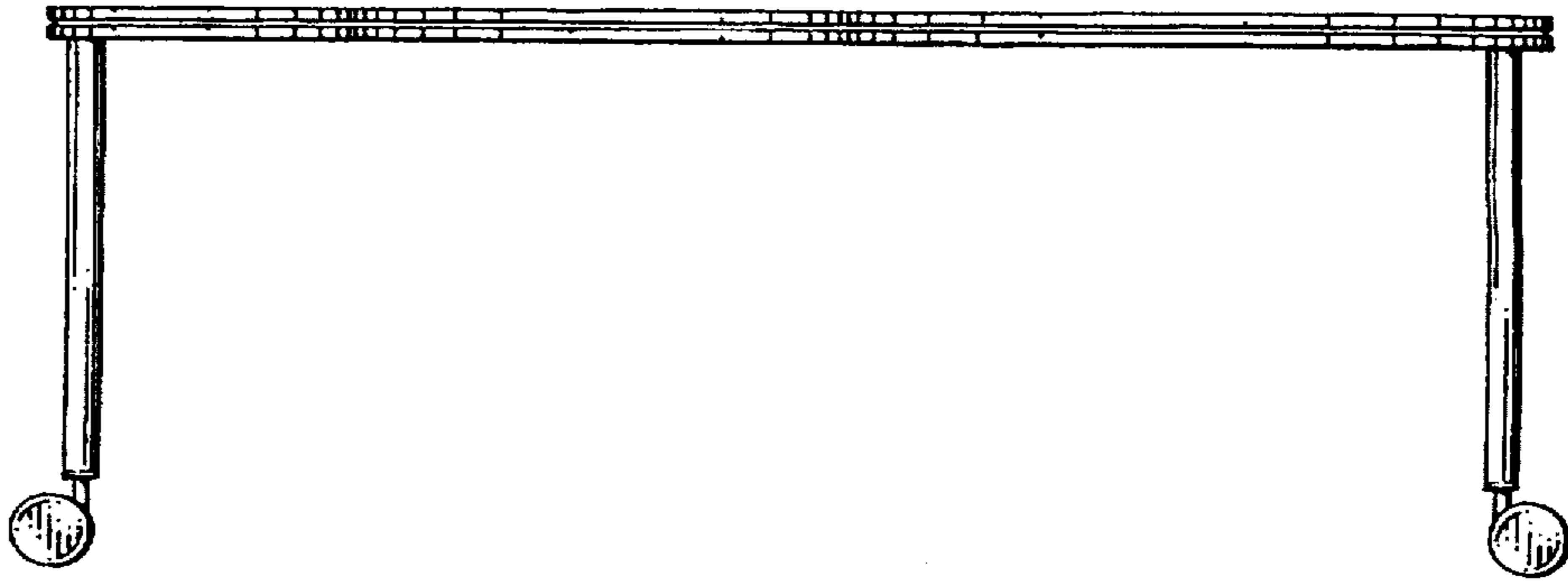


FIG. 4

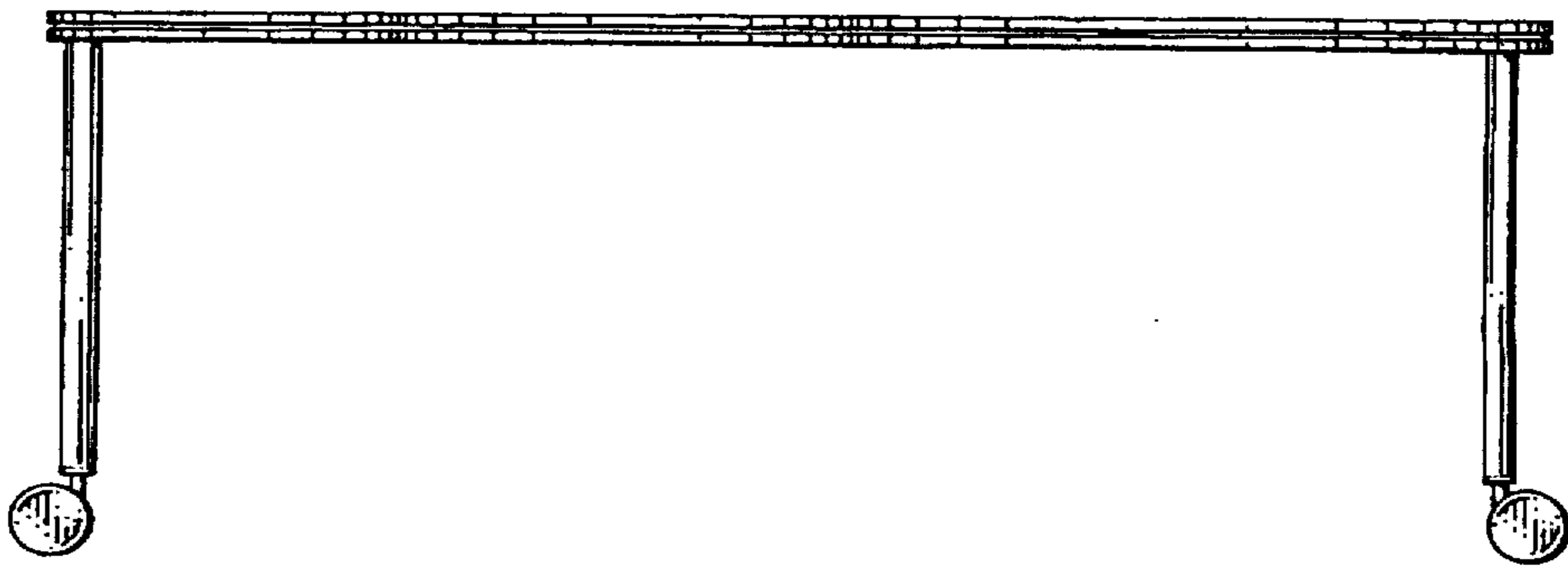


FIG. 5

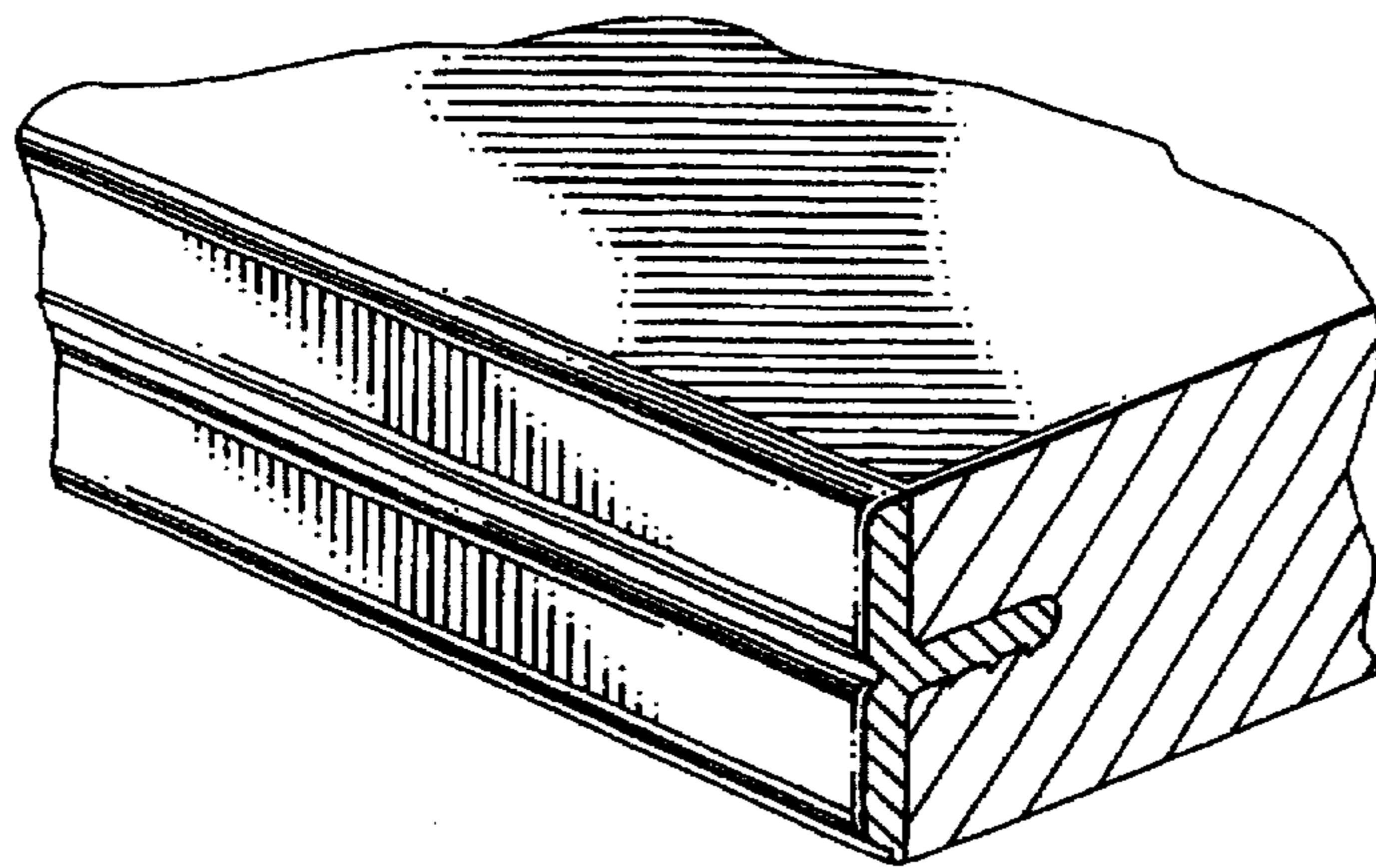


FIG. 7