



US00D390379S

# United States Patent [19]

Vairo

[11] Patent Number: **Des. 390,379**

[45] Date of Patent: **\*\*Feb. 10, 1998**

[54] **DISPLAY STAND**

[75] Inventor: **Edward James Vairo**, New York, N.Y.

[73] Assignee: **Crown Crafts, Incorporated**, Atlanta, Ga.

[\*\*] Term: **14 Years**

[21] Appl. No.: **64,823**

[22] Filed: **Jan. 10, 1997**

[51] LOC (6) Cl. .... **06-04**

[52] U.S. Cl. .... **D6/458**

[58] Field of Search ..... D6/462, 463, 455, D6/465, 467, 468, 458-461, 411, 412, 415, 553; 211/1, 13, 33, 60.1, 62, 107, 112, 133, 181, 41, 71; 248/127, 146, 153, 175, 176.1, 165; D20/19, 21

[56] **References Cited**

**U.S. PATENT DOCUMENTS**

D. 174,912 6/1955 Mangin ..... D6/190

D. 179,891	3/1957	Flannery	.....	D6/458
D. 182,356	3/1958	Cohen	.....	D6/458
D. 240,102	6/1976	Redler	.....	D6/458
D. 263,905	4/1982	Flora	.....	D6/553
D. 272,783	2/1984	Gelles	.....	D6/85
1,441,868	1/1923	Martin	.	
1,485,852	3/1924	Jarvis	.....	248/153 X
4,577,767	3/1986	Geschwender	.....	211/190

*Primary Examiner*—James Gandy  
*Assistant Examiner*—Linda Brooks  
*Attorney, Agent, or Firm*—Howrey & Simon

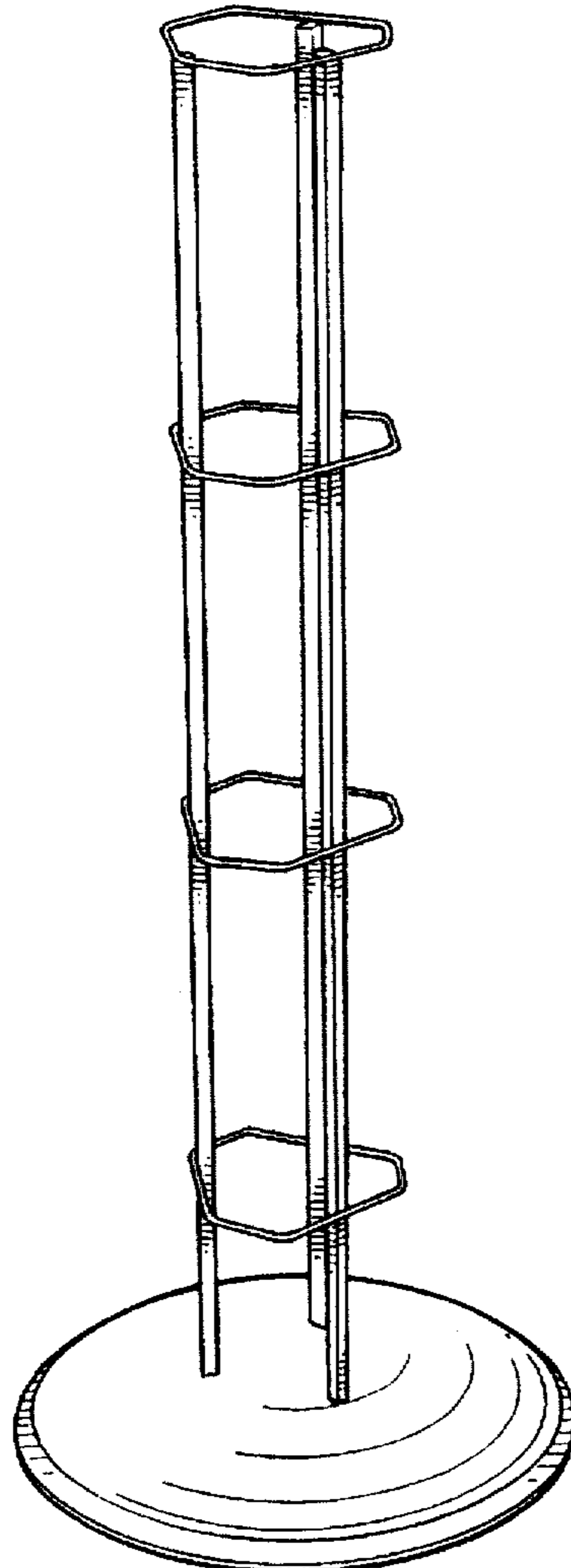
[57] **CLAIM**

The ornamental design for a display stand, as shown and described.

**DESCRIPTION**

FIG. 1 is a perspective view of a display stand showing my new design;  
FIG. 2 is an enlarged top plan view thereof; and,  
FIG. 3 is another perspective view thereof.

**1 Claim, 3 Drawing Sheets**



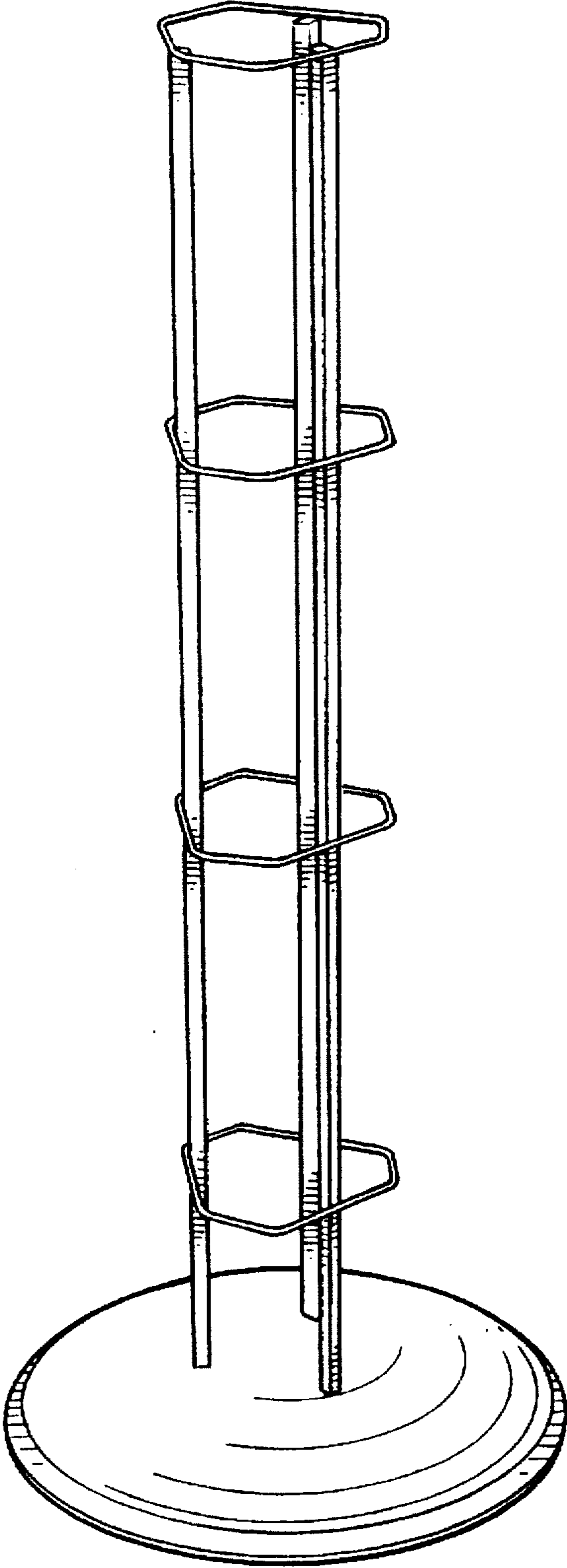


FIG. 1

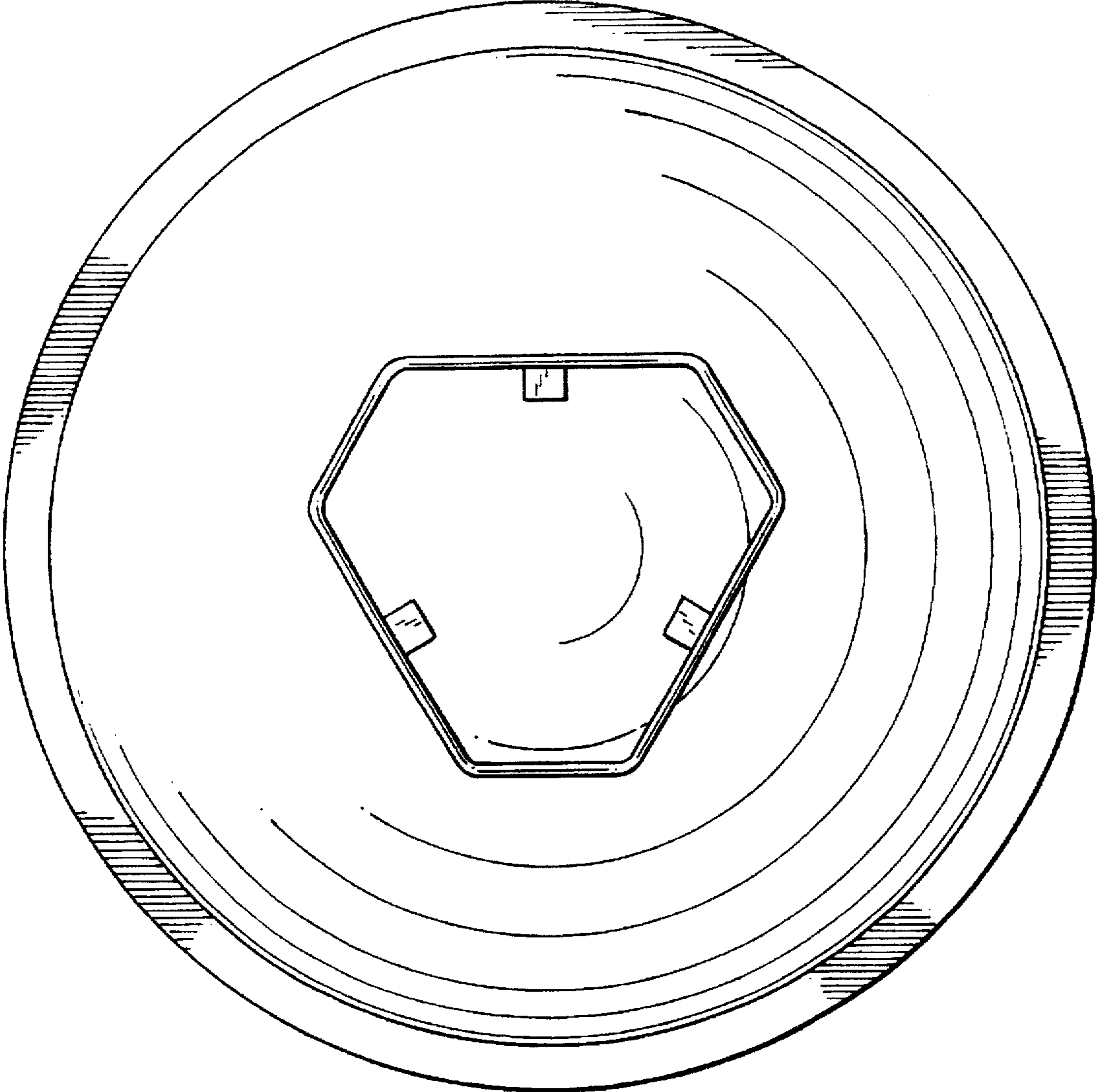


FIG. 2

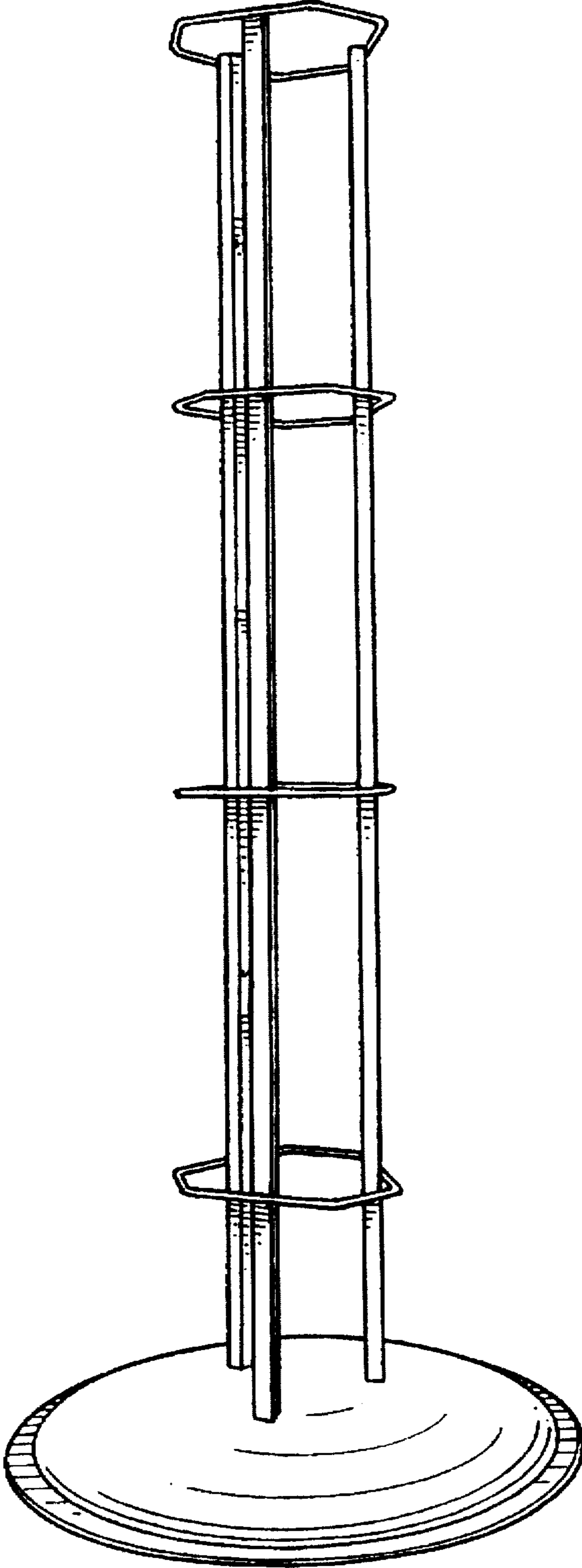


FIG. 3