



US00D390378S

United States Patent [19]

Whitehead et al.

[11] Patent Number: Des. 390,378

[45] Date of Patent: **Feb. 10, 1998

[54] MINI BALL RACK WITH FOUR POLES

[75] Inventors: Stephen P. Whitehead, Elgin;
Torrence Anderson; Michael G. Uffner, both of Naperville, all of Ill.

[73] Assignee: Suncoast Corporation, Batavia, Ill.

[**] Term: 14 Years

[21] Appl. No.: 51,173

[22] Filed: Mar. 5, 1996

[51] LOC (6) Cl. 20-03

[52] U.S. Cl. D6/449; D20/10

[58] Field of Search D20/10; D6/552,
D6/449, 411, 475; 211/87, 35, 14, 105.1,
86, 34; 248/250; D8/376, 71

[56] References Cited

U.S. PATENT DOCUMENTS

D. 191,790	11/1961	Schaefer	D34/5
D. 198,349	6/1964	Saunders	D80/10
D. 203,513	1/1966	Warren	D34/5
D. 237,231	10/1975	Wells	D20/2
D. 240,421	7/1976	Rose	D6/4
D. 261,571	11/1981	Hanson	D3/38
D. 283,472	4/1986	Wattles	D6/463
D. 283,568	4/1986	Valley	D6/429
D. 290,201	6/1987	Wilder	D6/464
D. 303,600	9/1989	Thompson et al.	D6/552
D. 309,226	7/1990	Wilcox	D6/552
D. 309,998	8/1990	Sumrell et al.	D6/567
D. 323,591	2/1992	Stavitz	D6/449 X
D. 325,133	4/1992	Stavitz	D6/449 X
D. 371,022	6/1996	Saper	D6/449
466,608	1/1892	Landis	.
797,614	8/1905	Schipkowsky	.
860,278	7/1907	Botkin	.
913,228	2/1909	McCarthy	.
929,519	7/1909	True	.
1,733,487	10/1929	Hackley	.
1,869,226	7/1932	Subick	248/215
2,060,760	11/1936	Keil	211/87
2,090,108	8/1937	Cicero	211/35

2,122,336	6/1938	Berry	211/88
2,271,784	2/1942	Tritt	248/220
2,633,998	4/1953	Derman	211/104
2,767,854	10/1956	Barrett	211/13
2,885,090	5/1959	Forman et al.	211/175
2,930,486	3/1960	Hoover	211/44
2,950,003	8/1960	Simmons et al.	206/75
2,972,417	2/1961	Smith	211/71
3,220,363	11/1965	Gingher	108/144

(List continued on next page.)

FOREIGN PATENT DOCUMENTS

501564	4/1954	Canada	.
1272708	8/1961	France	.
1273324	8/1961	France	.
1274556	9/1961	France	.
1467884	12/1966	France	.
2609790	9/1976	Germany	.
096105	2/1988	Taiwan	.
15722	of 1909	United Kingdom	.
253810	6/1926	United Kingdom	.
261537	11/1926	United Kingdom	.
627398	8/1949	United Kingdom	.
2156199	10/1985	United Kingdom	A47B 96/02
WO 91/05693	5/1991	WIPO	.

Primary Examiner—Susan J. Lucas
Assistant Examiner—Jennifer Rivard
Attorney, Agent, or Firm—Thomas W. Tolpin

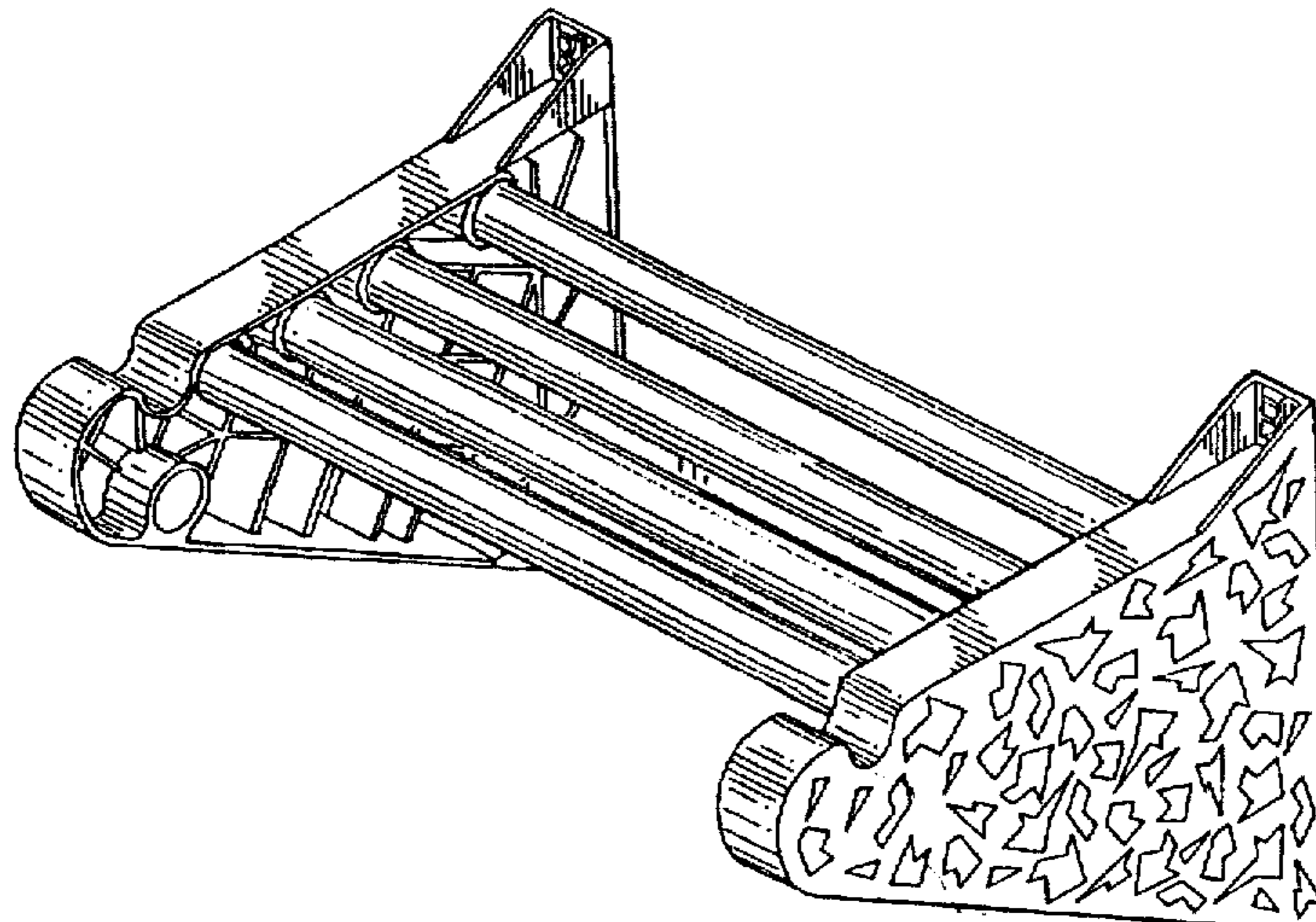
[57] CLAIM

The ornamental design for a mini ball rack with four poles, as shown and described.

DESCRIPTION

FIG. 1 is a perspective view of the mini ball rack with four poles invention;
FIG. 2 is an front view thereof;
FIG. 3 is a top view thereof;
FIG. 4 is a right end view, the left end view forming a mirror image of said right side and thus is not shown; and
FIG. 5 is a bottom view; and,
FIG. 6 is a back view thereof.

1 Claim, 2 Drawing Sheets



U.S. PATENT DOCUMENTS

3,565,020	2/1971	Schier	108/152	4,583,647	4/1986	Schinzing	211/60.1
3,650,407	3/1972	Benham, Jr.	211/14	4,629,065	12/1986	Braaten	206/315.1
3,669,395	6/1972	Gehrke	248/235	4,633,789	1/1987	Kortering et al.	108/152
3,698,563	10/1972	Gordon et al.	211/13	4,643,317	2/1987	Wilkinson et al.	211/14
3,788,241	1/1974	Ravreby	108/6	4,674,967	6/1987	Oseka	425/110
3,869,137	3/1975	Byrom	280/47.19	4,676,539	6/1987	Potocnjak	294/67.4
3,888,353	6/1975	Leifheit	211/37	4,678,087	7/1987	York	211/70.5
3,997,060	12/1976	Kunin	211/126	4,708,310	11/1987	Smith	248/220
4,002,241	1/1977	Parrilla, Sr.	211/88	4,776,650	10/1988	Ferenzi	312/245
4,049,126	9/1977	Halverson	211/104	4,854,456	8/1989	Lee	211/14
4,154,442	5/1979	Trubody et al.	273/29	4,863,082	9/1989	Evans et al.	244/42
4,162,013	7/1979	Tucker	211/43	4,871,074	10/1989	Bryson et al.	211/13
4,178,844	12/1979	Ward et al.	99/449	4,936,467	6/1990	Bobeczko	211/14
4,188,890	2/1980	deVillers	108/30	5,014,948	5/1991	Asaro et al.	248/215
4,193,495	3/1980	Keeley	206/315	5,188,246	2/1993	Maxworthy	211/153
4,277,710	7/1981	Laub	280/47	5,203,462	4/1993	Brooks	211/14
4,315,633	2/1982	Boeddeker et al.	280/79.3	5,253,837	10/1993	Loux	248/250
4,376,521	3/1983	Walters	248/206	5,294,005	3/1994	Hedges	211/13
4,561,547	12/1985	Estwanik, III	211/14	5,325,973	7/1994	Reedy	211/18
				5,413,228	5/1995	Le Clerc	211/87

FIG. 1

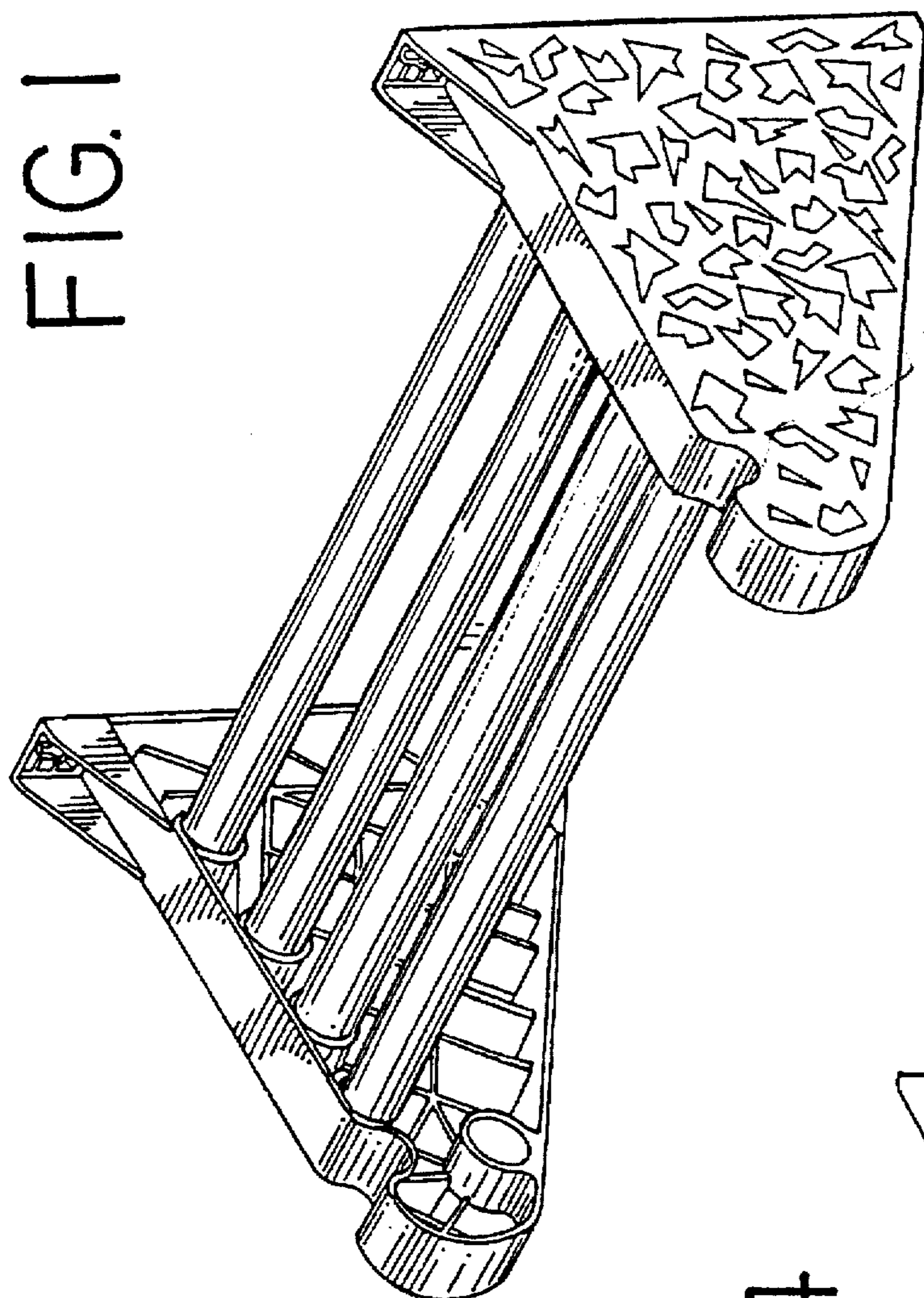


FIG. 4

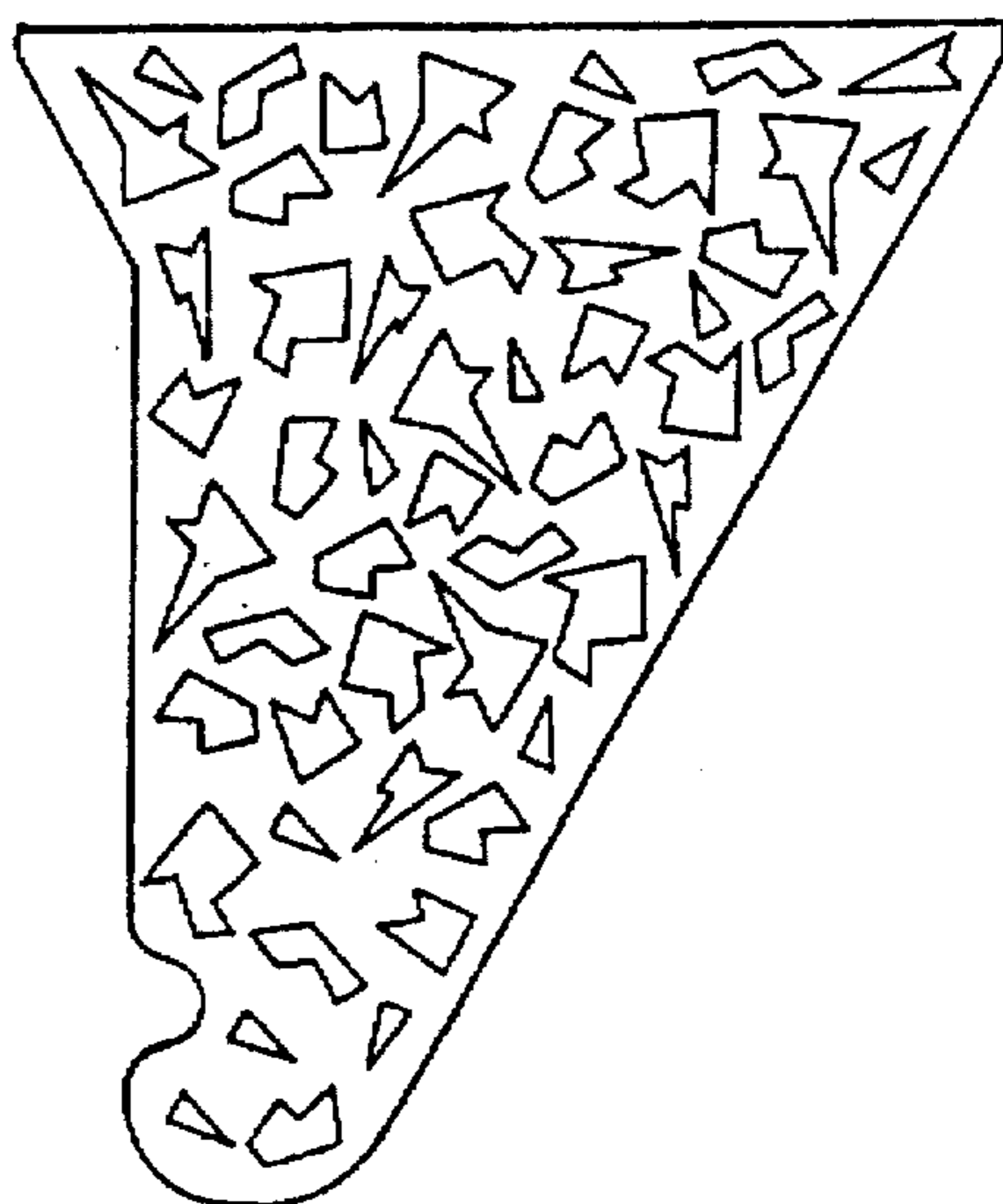


FIG. 5

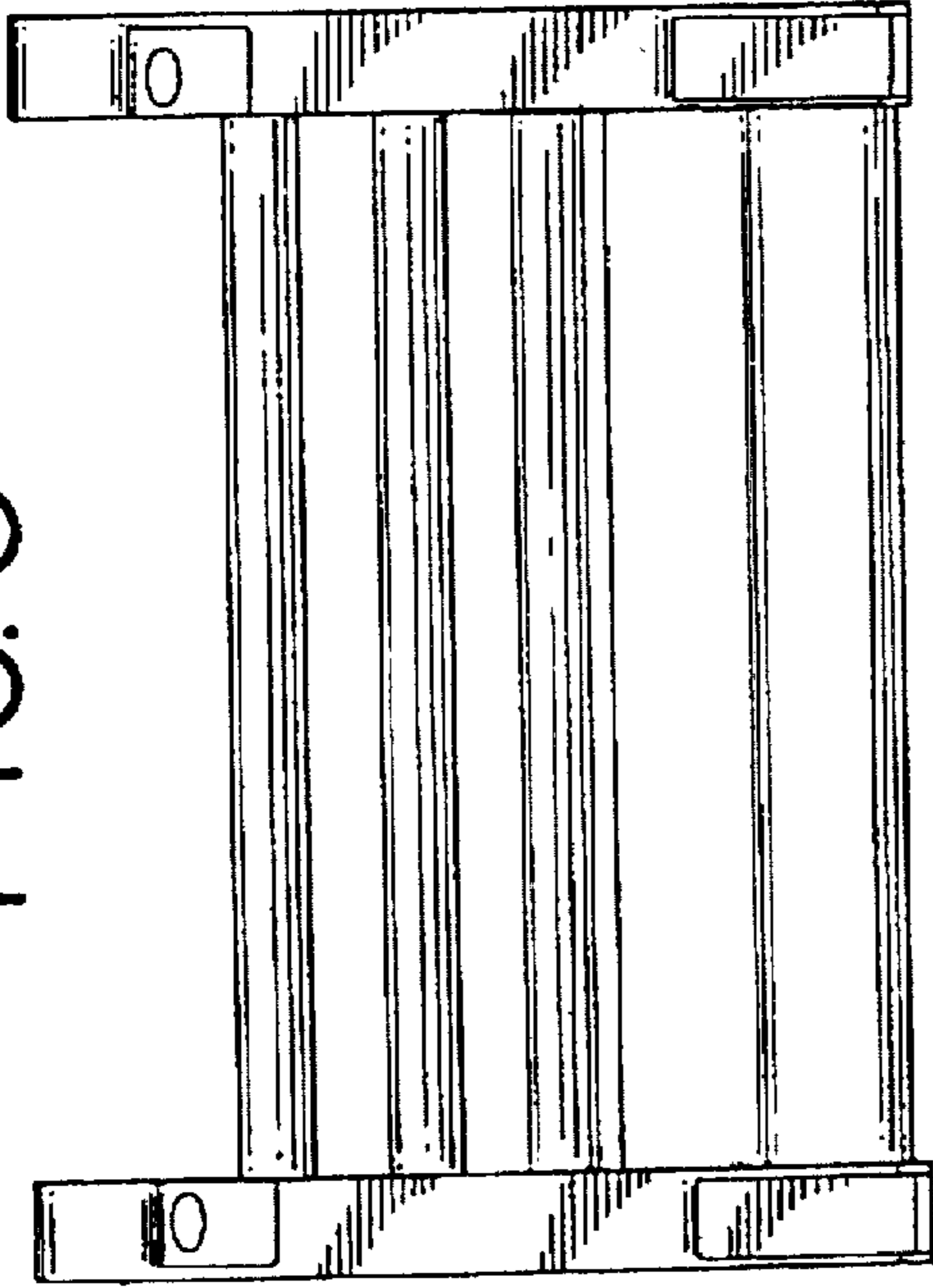


FIG. 6

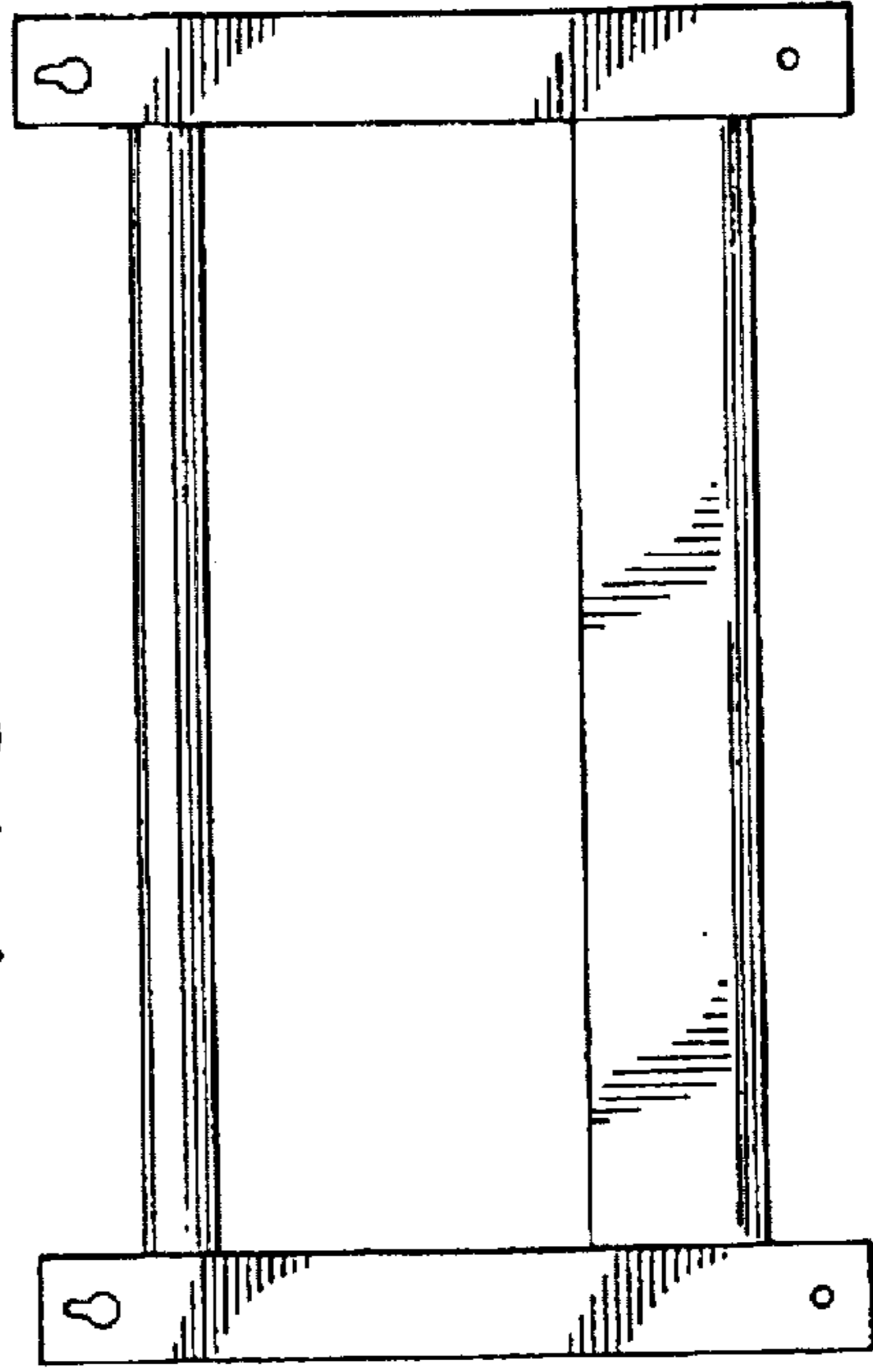


FIG. 2

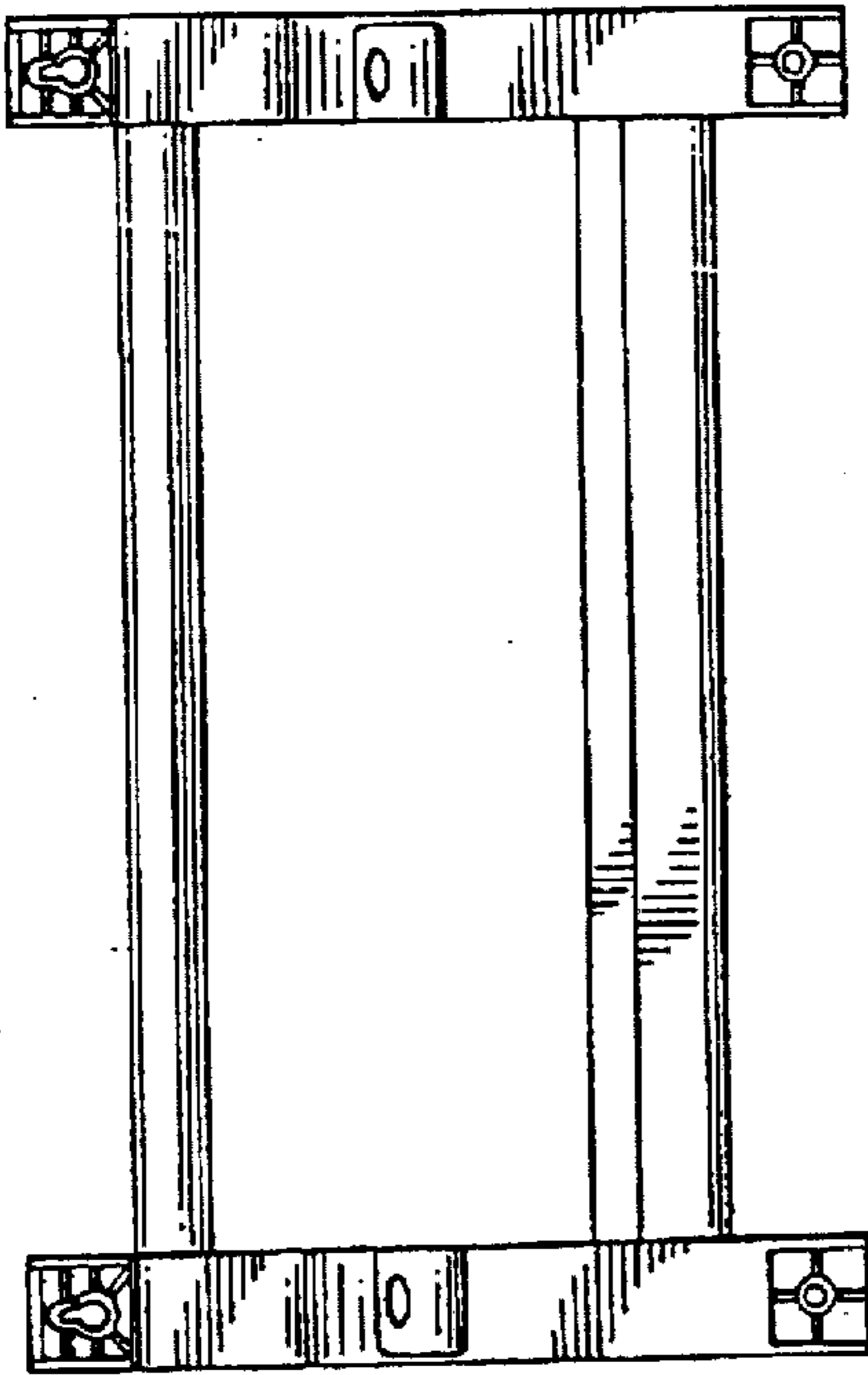


FIG. 3

